



US00D660037S

(12) **United States Design Patent**  
**Pedersen et al.**

(10) **Patent No.:** **US D660,037 S**  
(45) **Date of Patent:** **\*\* May 22, 2012**

(54) **CHAIR**

(75) Inventors: **Sara Lynne Pedersen**, Minneapolis, MN (US); **Stephanie Ann Grotta**, Minneapolis, MN (US); **Joshua Alan Hughes**, Delano, MN (US); **Daniel Joseph Hoyord**, St. Paul, MN (US)

(73) Assignee: **Target Brands, Inc.**, Minneapolis, MN (US)

(\*\*) Term: **14 Years**

(21) Appl. No.: **29/396,954**

(22) Filed: **Jul. 8, 2011**

(51) **LOC (9) Cl.** ..... **06-01**

(52) **U.S. Cl.** ..... **D6/370**

(58) **Field of Classification Search** ..... D6/334,  
D6/335, 336, 369, 370, 374, 375, 376, 379,  
D6/380, 500-502; 297/239, 411.28, 411.43,  
297/445.1, 446.1, 452.63

See application file for complete search history.

(56) **References Cited**

**U.S. PATENT DOCUMENTS**

D137,587 S *	4/1944	Harasty	.....	D6/370
D366,774 S *	2/1996	Frinier	.....	D6/370
D396,365 S *	7/1998	Lizell	.....	D6/500
D399,667 S *	10/1998	Muller	.....	D6/370
D425,718 S *	5/2000	van Valderen	.....	D6/370
D437,136 S *	2/2001	Tseng	.....	D6/370
D457,342 S *	5/2002	Muller	.....	D6/370
D479,774 S *	9/2003	Wimberger	.....	D6/370
D489,912 S *	5/2004	Hutton	.....	D6/368
D569,639 S *	5/2008	Swanson	.....	D6/370
D655,525 S *	3/2012	Pedersen et al.	.....	D6/370

**OTHER PUBLICATIONS**

Crate & Barrel Regatta Dining Chair, <http://www.crateandbarrel.com/outdoor-furniture/outdoor-dining/regatta-dining-chair/s161295>, printed Feb. 8, 2011.

Crate & Barrel Regatta Dining Chair with Cushion, <http://www.crateandbarrel.com/outdoor-furniture/outdoor-dining/regatta-dining-chair-with-sunbrella-stone-cushion/s174915>, printed Feb. 8, 2011.

Restoration Hardware Nantucket Loveseat, <http://www.restorationhardware.com/catalog/product/product.jsp?productId=prod1584092&categoryId=search>, printed Feb. 8, 2011.

Restoration Hardware Nantucket Collection Spec Sheet, <http://www.restorationhardware.com/catalog/category/collections.jsp?categoryId=cat1695093>, printed Feb. 8, 2011.

Riviera Extending Teak, <http://www.restorationhardware.com/catalog/category/collections.jsp?categoryId=cat1695093>, printed Feb. 8, 2011.

Crate & Barrel Regatta Chaise, <http://www.crateandbarrel.com/outdoor-furniture/outdoor-lounging/regatta-chaise-lounge/s162356>, printed Feb. 8, 2011.

(Continued)

*Primary Examiner* — Mimosa De

(74) *Attorney, Agent, or Firm* — Leanne Taveggia Farrell; Westman, Champlin & Kelly, P.A.

(57) **CLAIM**

The ornamental design for a chair, as shown and described.

**DESCRIPTION**

FIG. 1 is a perspective view of the chair.

FIG. 2 is a front elevational view of the chair.

FIG. 3 is a rear elevational view of the chair.

FIG. 4 is a left side view of the chair.

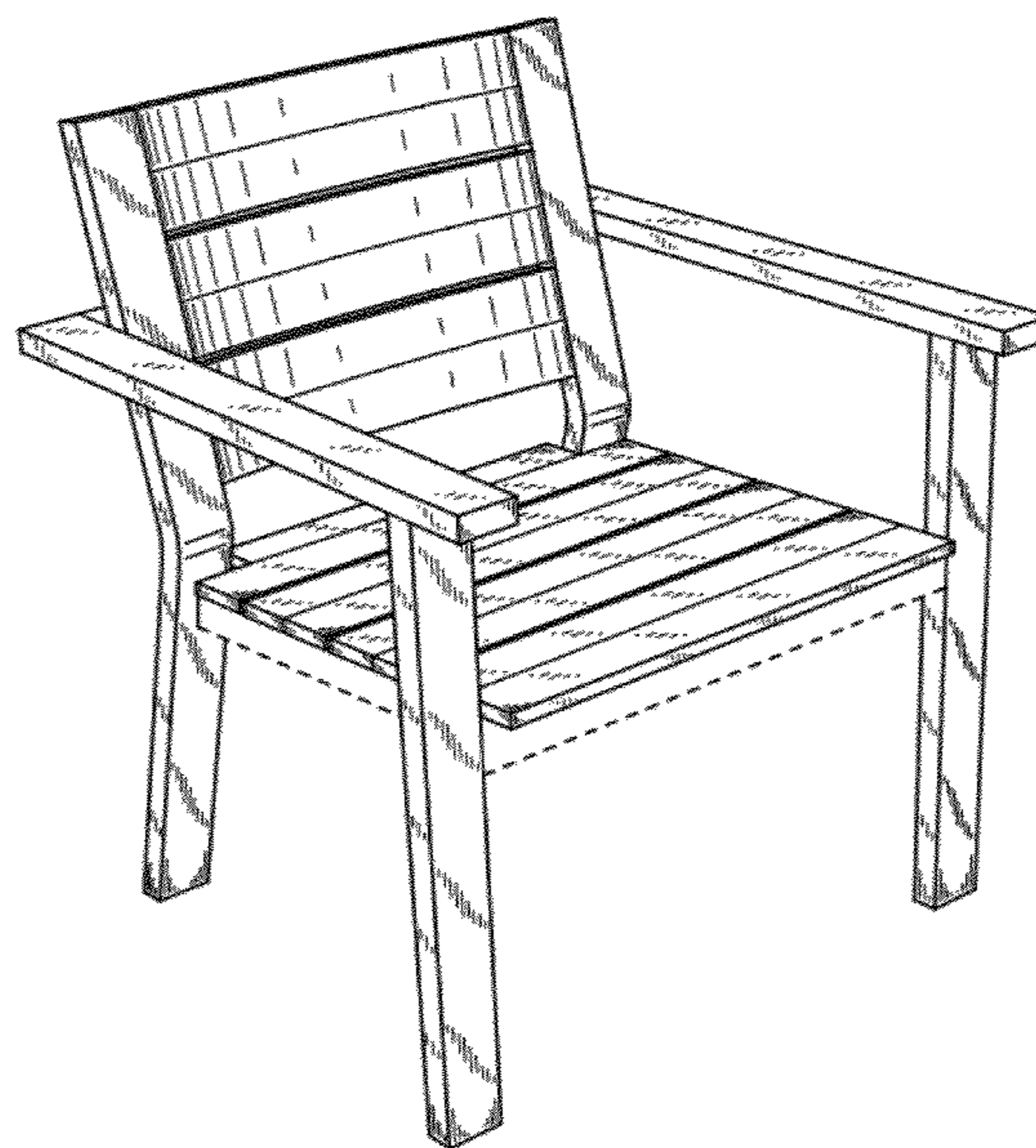
FIG. 5 is a right side view of the chair.

FIG. 6 is a top view of the chair; and,

FIG. 7 is a bottom view of the chair.

The broken lines in FIGS. 1-7 form no part of the claimed design.

**1 Claim, 7 Drawing Sheets**



OTHER PUBLICATIONS

Charles and Hudson Chaise, [http://www.charlesandhudson.com/archives/2008/04/need\\_new\\_furniture.htm](http://www.charlesandhudson.com/archives/2008/04/need_new_furniture.htm), printed Jun. 16, 2011.

Teak Chaise Chair from Lands' End, [http://www.landsend.com/pp/TeakChaiseChair~182230\\_-1.html?bcc=y&a](http://www.landsend.com/pp/TeakChaiseChair~182230_-1.html?bcc=y&a), Printed 2/8/2011.

Crate & Barrel Regatta Lounge Chair, <http://www.crateandbarrel.com/outdoor-furniture/outdoor-lounging/regatta-lounge-chair/s161822>, Printed Feb. 8, 2011.

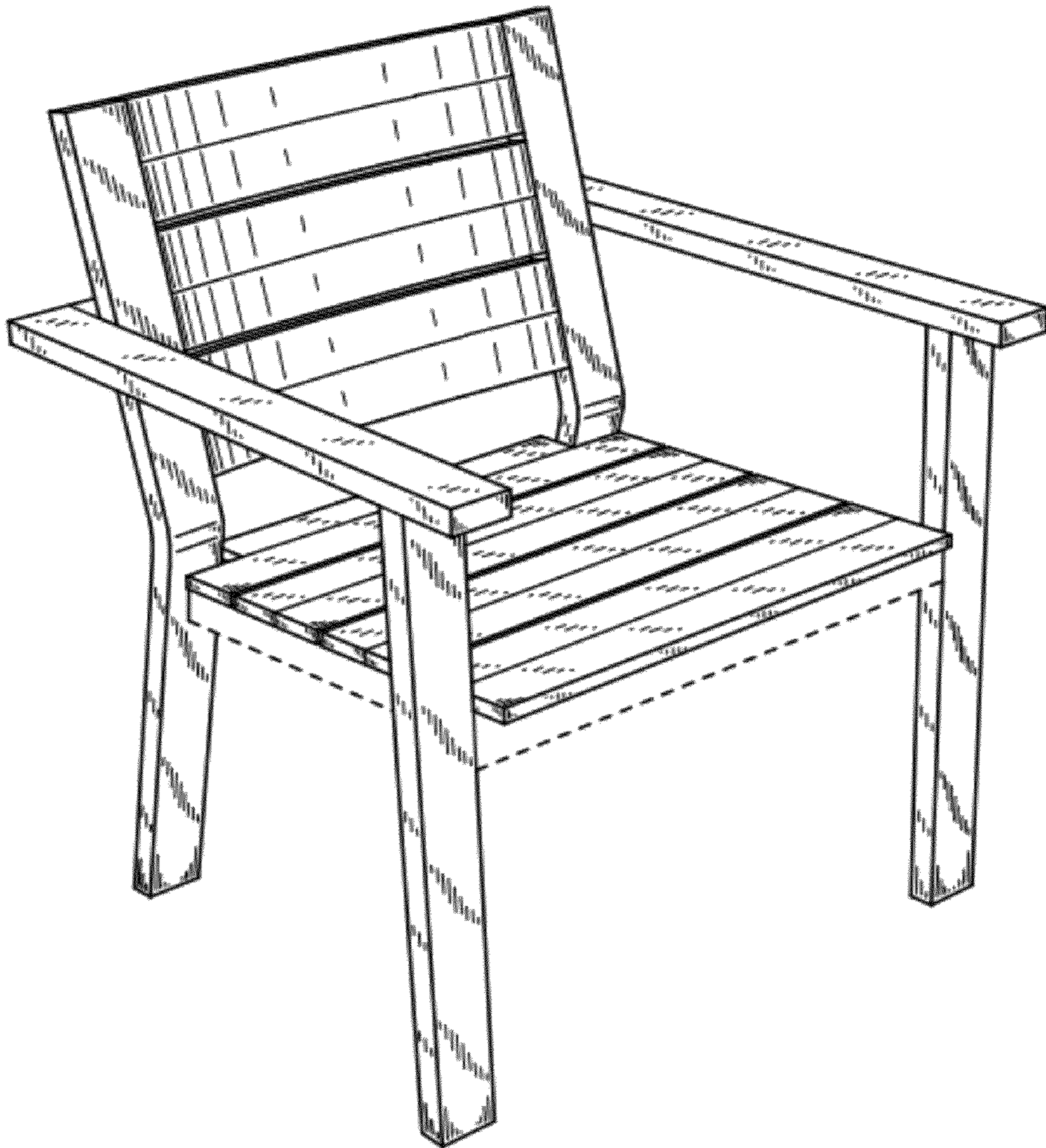
Crate & Barrel Regatta Lounge Chair with Cushion, <http://www.crateandbarrel.com/outdoor-furniture/outdoor-lounging/regatta-lounge-chair-with-sunbrella-cilantro-cushion/s174753>, Printed Feb. 8, 2011.

Restoration Hardware Belvedere Side Chair, <http://www.restorationhardware.com/catalog/product/product.jsp?productId=prod1676200&categoryId=search>, Printed Feb. 8, 2011.

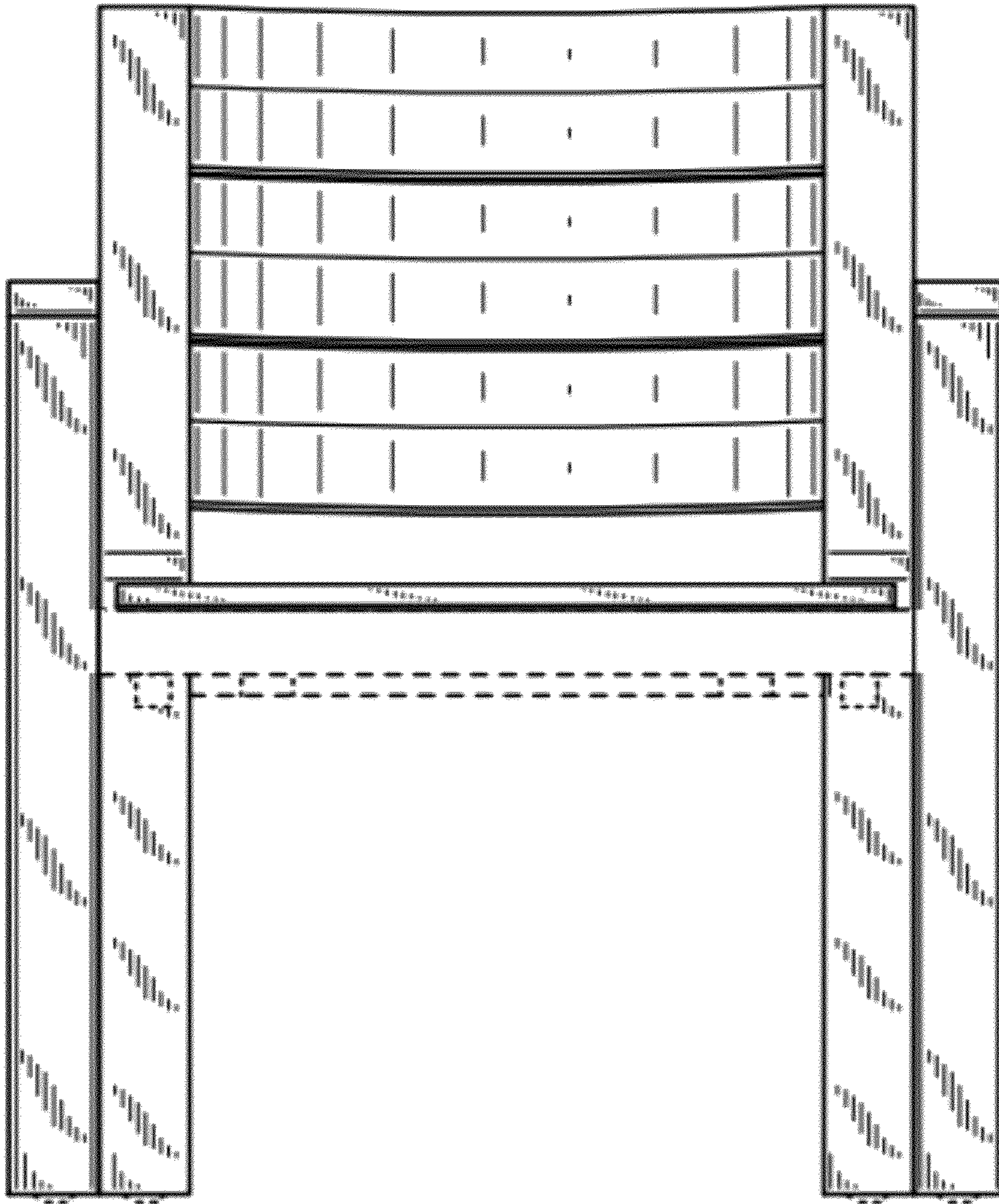
Crate & Barrel Regatta Sofa, <http://www.crateandbarrel.com/outdoor-furniture/outdoor-lounging/regatta-sofa/s161813>, Printed Feb. 8, 2011.

Crate & Barrel Regatta Sofa with Cushion, <http://www.crateandbarrel.com/outdoor-furniture/outdoor-lounging/regatta-sofa-with-sunbrella-cilantro-cushion/s174729>, Printed Feb. 8, 2011.

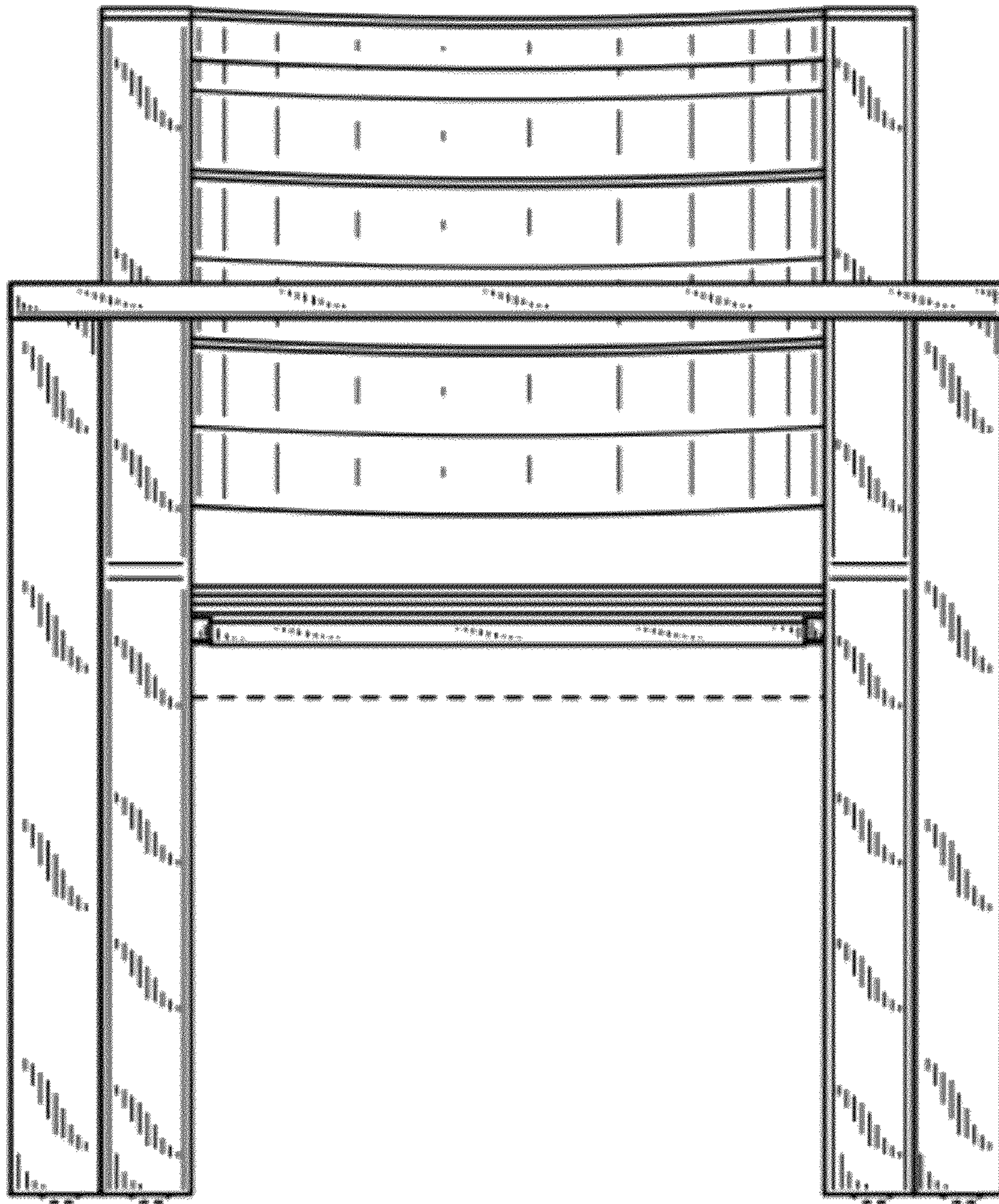
\* cited by examiner



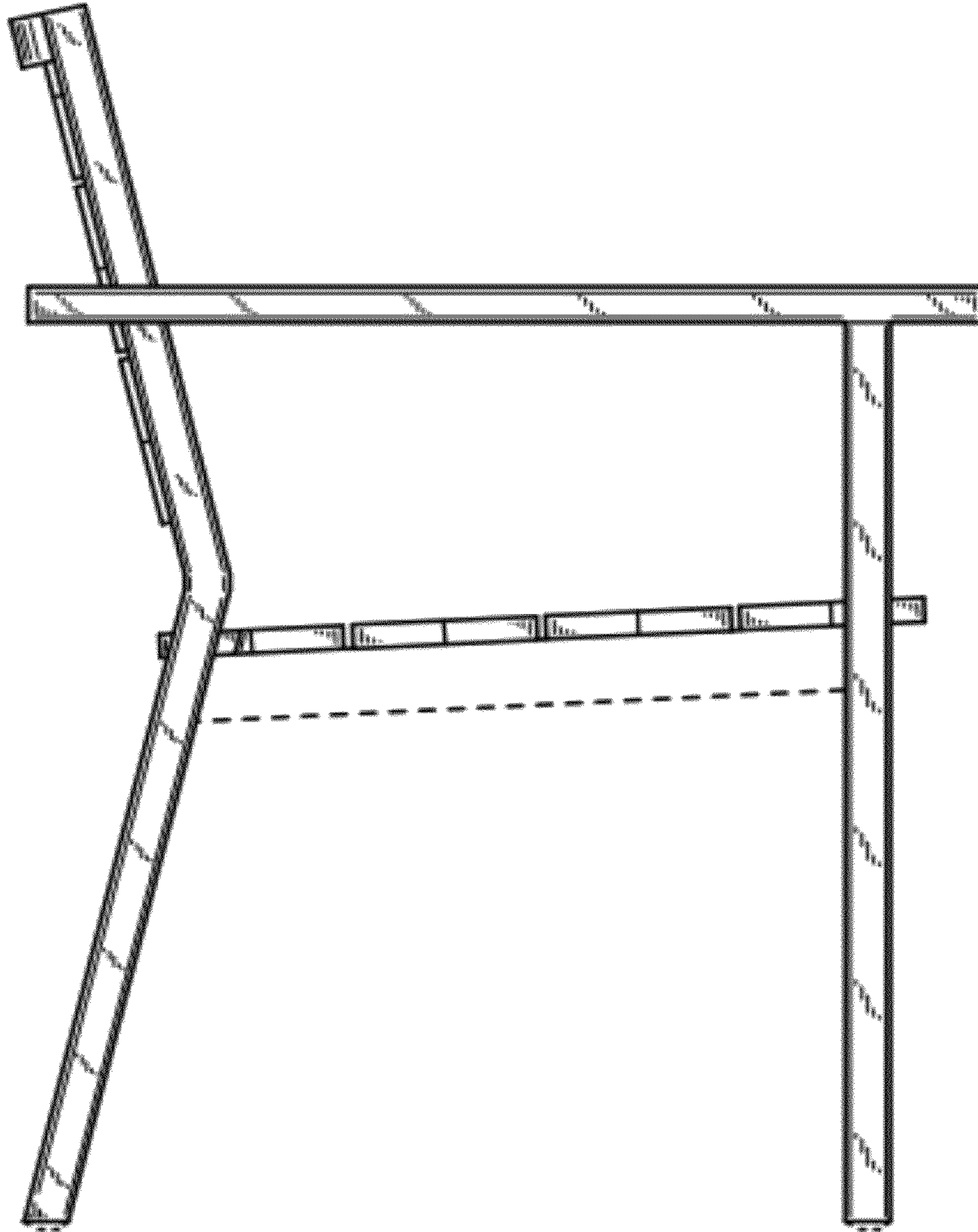
*Fig. 1*



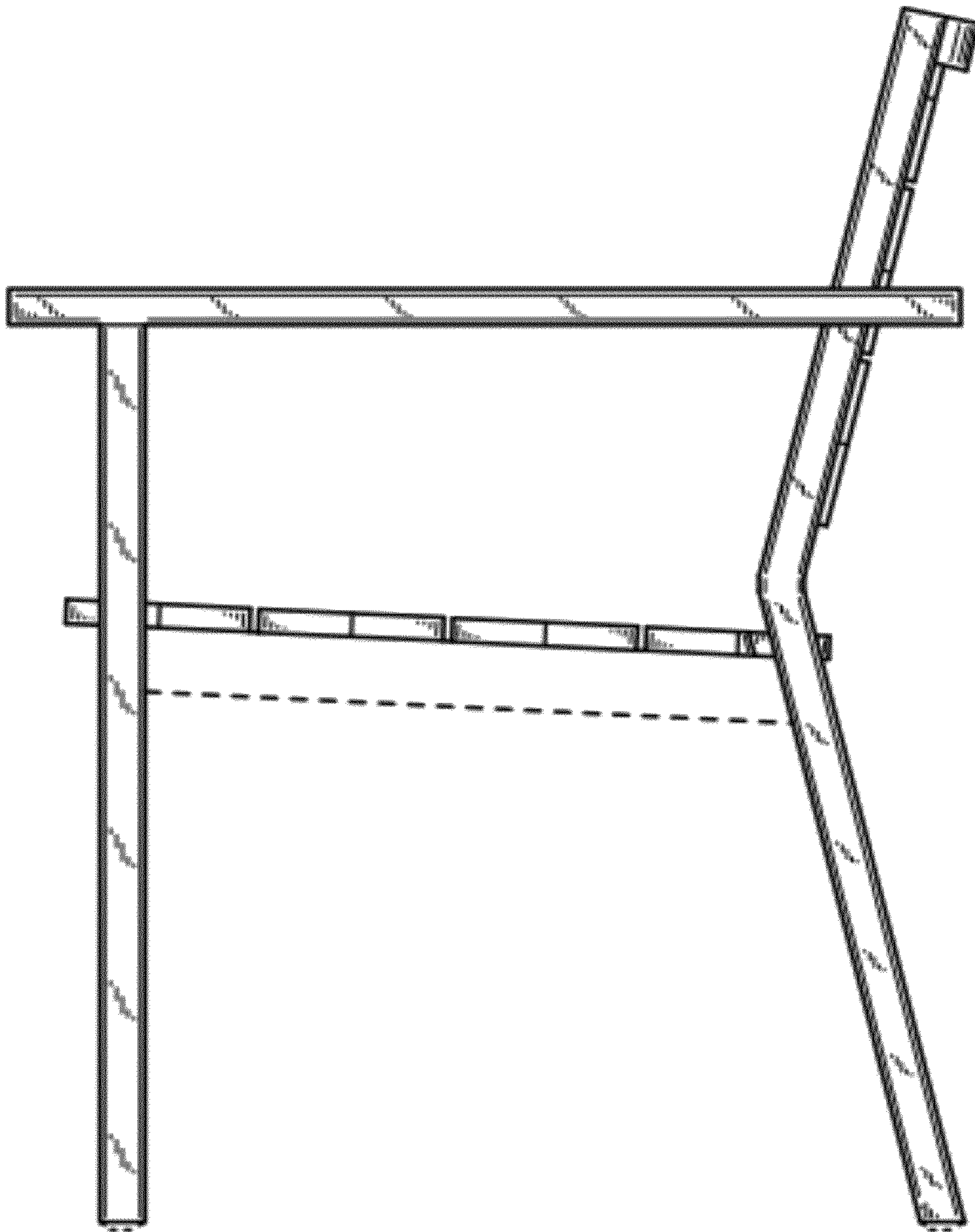
*Fig. 2*



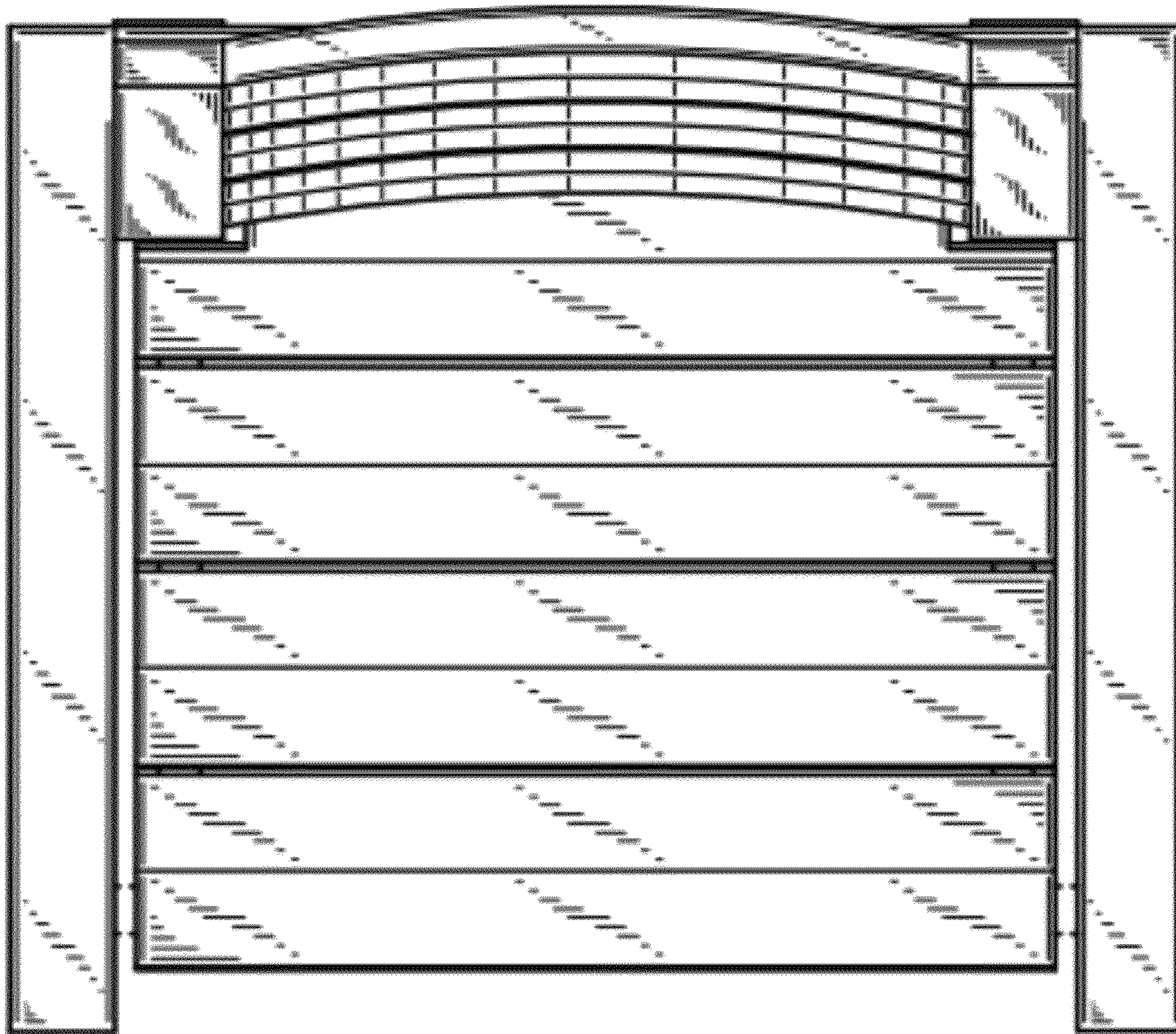
*Fig. 3*



*Fig. 4*

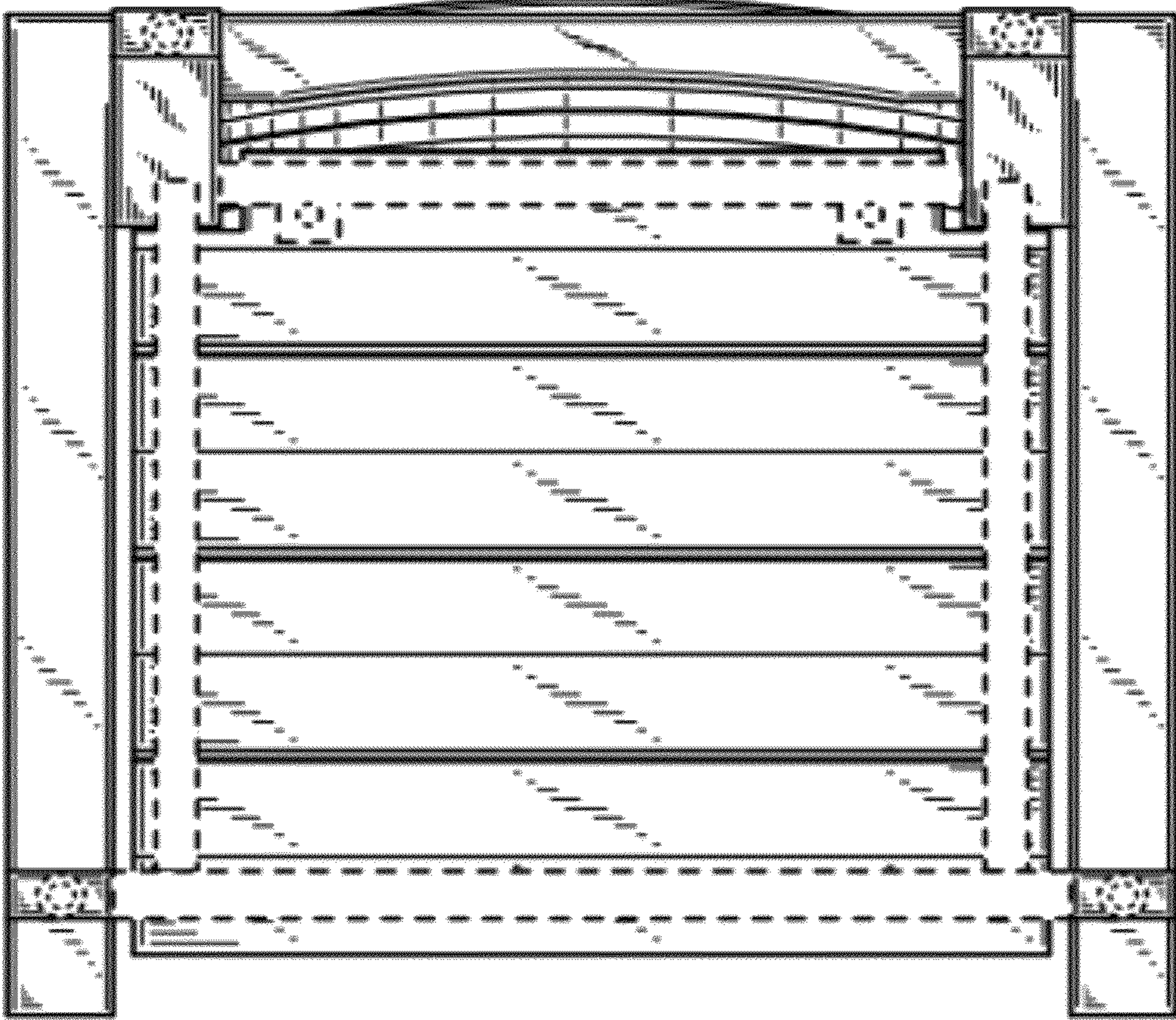


*Fig. 5*



*Fig. 6*





*Fig. 7*