



US00D660036S

(12) **United States Design Patent**
Grotta et al.

(10) **Patent No.:** **US D660,036 S**

(45) **Date of Patent:** **** May 22, 2012**

(54) **SOFA**

(75) Inventors: **Stephanie Ann Grotta**, Minneapolis, MN (US); **Joshua Alan Hughes**, Delano, MN (US); **Daniel Joseph Hoyord**, St. Paul, MN (US); **Sara Lynne Pedersen**, Minneapolis, MN (US)

(73) Assignee: **Target Brands, Inc.**, Minneapolis, MN (US)

(**) **Term:** **14 Years**

(21) **Appl. No.:** **29/396,952**

(22) **Filed:** **Jul. 8, 2011**

(51) **LOC (9) Cl.** **06-01**

(52) **U.S. Cl.** **D6/370**

(58) **Field of Classification Search** D6/334,
D6/335, 336, 369, 370, 374, 375, 376, 379,
D6/380, 381, 500-502; 297/232, 411.28,
297/445.1, 446.1, 452.63

See application file for complete search history.

(56) **References Cited**

U.S. PATENT DOCUMENTS

D74,504 S *	2/1928	Haase	D6/370
D80,891 S *	4/1930	Hauser	D6/376
D187,424 S *	3/1960	Frank	D6/335
D278,396 S *	4/1985	Syme et al.	D6/370
D368,173 S *	3/1996	Kramer	D6/370
D369,922 S *	5/1996	Kirn et al.	D6/381
D413,449 S *	9/1999	Hornyak	D6/370
D447,882 S *	9/2001	Kane	D6/375
D474,618 S *	5/2003	Arnold et al.	D6/370
D541,547 S *	5/2007	Goldstein	D6/381
D549,978 S *	9/2007	Hunziker	D6/370

OTHER PUBLICATIONS

Crate & Barrel Regatta Dining Chair; <http://www.crateandbarrel.com/outdoor-furniture/outdoor-dining/regatta-dining-chair/s161295>, printed Feb. 8, 2011.

Crate & Barrel Regatta Dining Chair with Cushion, <http://www.crateandbarrel.com/outdoor-furniture/outdoor-dining/regatta-dining-chair-with-sunbrella-stone-cushion/s174915>, printed Feb. 8, 2011.

Restoration Hardware Nantucket Loveseat, <http://www.restorationhardware.com/catalog/product/product.jsp?productId=prod1584092&categoryId=search>, printed Feb. 8, 2011.

Restoration Hardware Nantucket Collection Spec Sheet, <http://www.restorationhardware.com/catalog/category/collections.jsp?categoryId=cat1695093>, printed Feb. 8, 2011.

Riviera Extending Teak, <http://www.restorationhardware.com/catalog/category/collections.jsp?categoryId=cat1695093>, printed Feb. 8, 2011.

Crate & Barrel Regatta Chaise, <http://www.crateandbarrel.com/outdoor-furniture/outdoor-lounging/regatta-chaise-lounge/s162356>, printed Feb. 8, 2011.

(Continued)

Primary Examiner — Mimosa De

(74) *Attorney, Agent, or Firm* — Leanne Taveggia Farrell; Westman, Champlin & Kelly, P.A.

(57) **CLAIM**

The ornamental design for a sofa, as shown and described.

DESCRIPTION

FIG. 1 is a perspective view of the sofa.

FIG. 2 is a front elevational view of the sofa.

FIG. 3 is a rear elevational view of the sofa.

FIG. 4 is a left side view of the sofa.

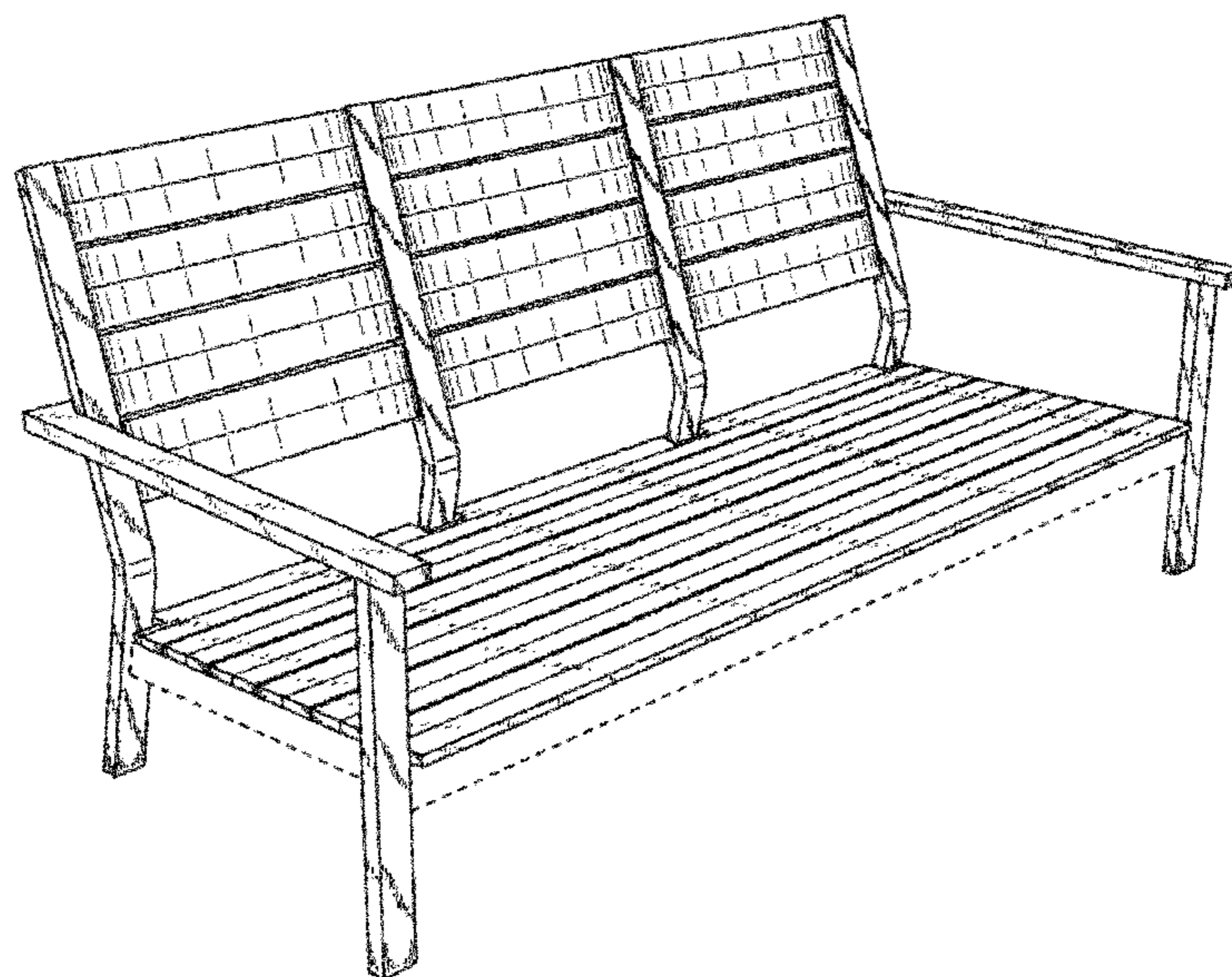
FIG. 5 is a right side view of the sofa.

FIG. 6 is a top view of the sofa; and,

FIG. 7 is a bottom view of the sofa.

The broken lines in FIGS. 1-5 and 7 form no part of the claimed design.

1 Claim, 7 Drawing Sheets



OTHER PUBLICATIONS

Charles and Hudson Chaise, http://www.charlesandhudson.com/archives/2008/04/need_new_furniture.htm, printed Jun. 16, 2011.

Teak Chaise Chair from Lands' End, http://www.landsend.com/pp/TeakChaiseChair~182230_-1.html?bcc=y&a, Printed Feb. 8, 2011.

Crate & Barrel Regatta Lounge Chair, <http://www.crateandbarrel.com/outdoor-furniture/outdoor-lounging/regatta-lounge-chair/s161822>, Printed Feb. 8, 2011.

Crate & Barrel Regatta Lounge Chair with Cushion, <http://www.crateandbarrel.com/outdoor-furniture/outdoor-lounging/regatta-lounge-chair-with-sunbrella-cilantro-cushion/s174753>, Printed Feb. 8, 2011.

Restoration Hardware Belvedere Side Chair, <http://www.restorationhardware.com/catalog/product/product.jsp?productId=prod1676200&categoryId=search>, Printed Feb. 8, 2011.

Crate & Barrel Regatta Sofa, <http://www.crateandbarrel.com/outdoor-furniture/outdoor-lounging/regatta-sofa/s161813>, Printed Feb. 8, 2011.

Crate & Barrel Regatta Sofa with Cushion, <http://www.crateandbarrel.com/outdoor-furniture/outdoor-lounging/regatta-sofa-with-sunbrella-cilantro-cushion/s174729>, Printed Feb. 8, 2011.

* cited by examiner

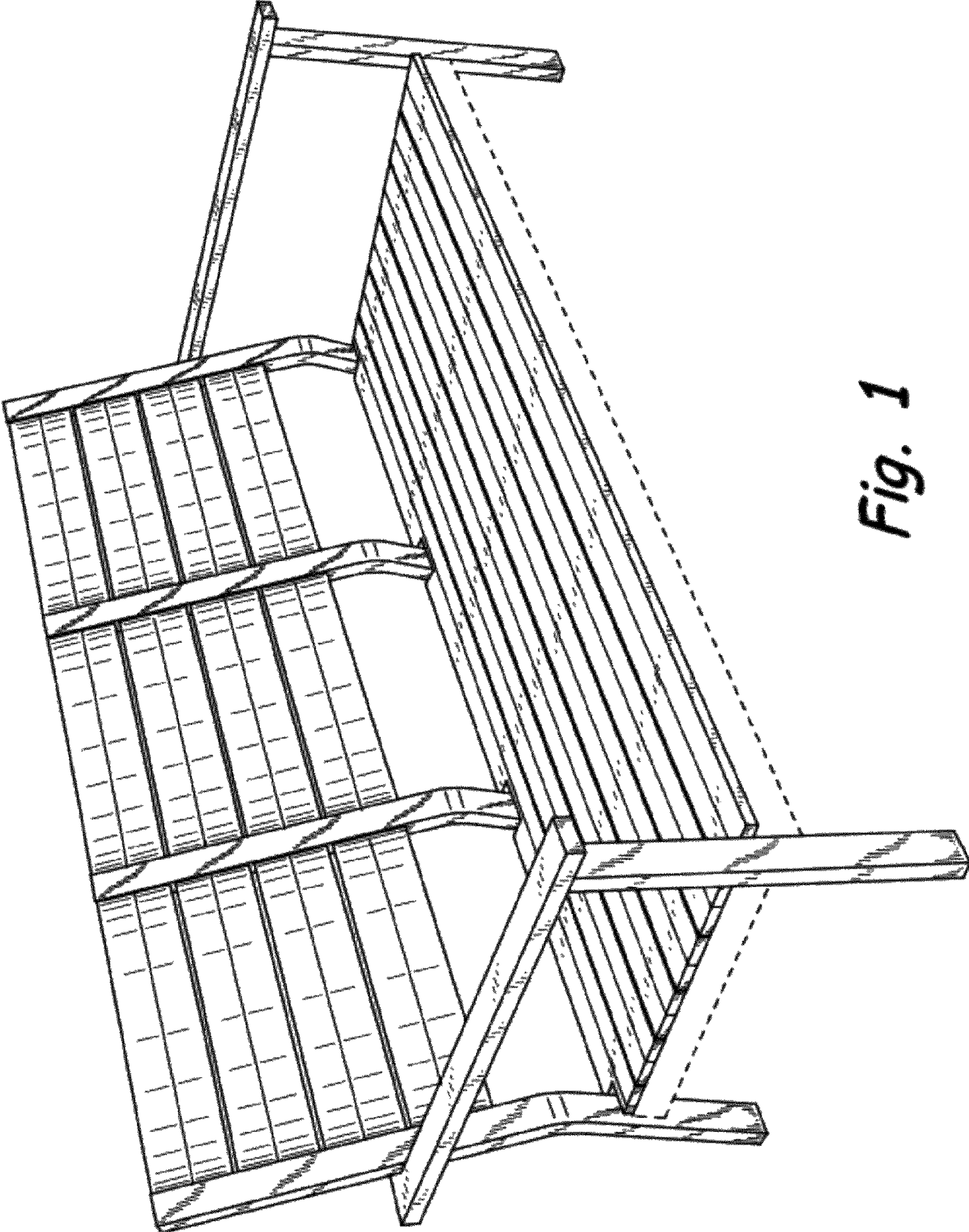


Fig. 1

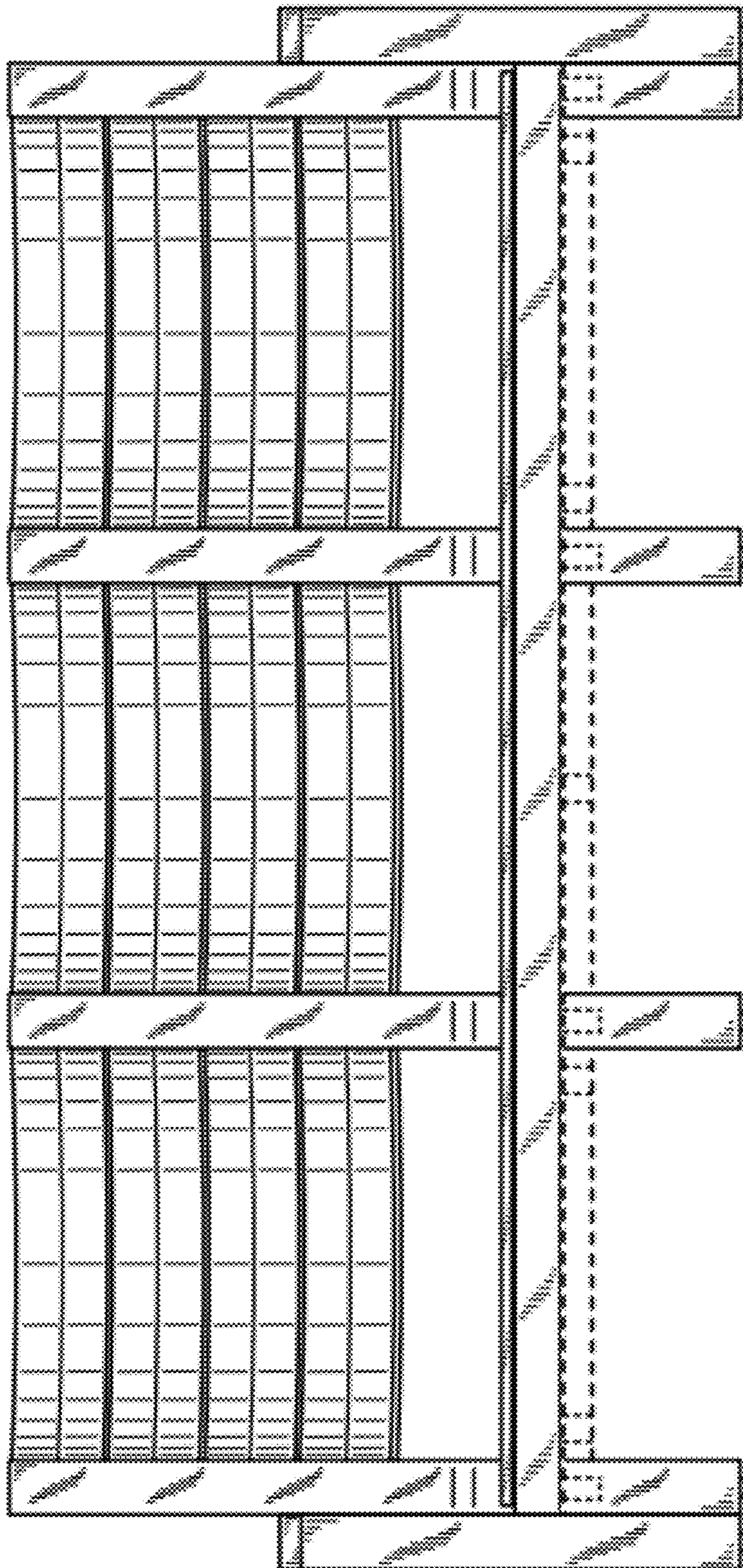


Fig. 2

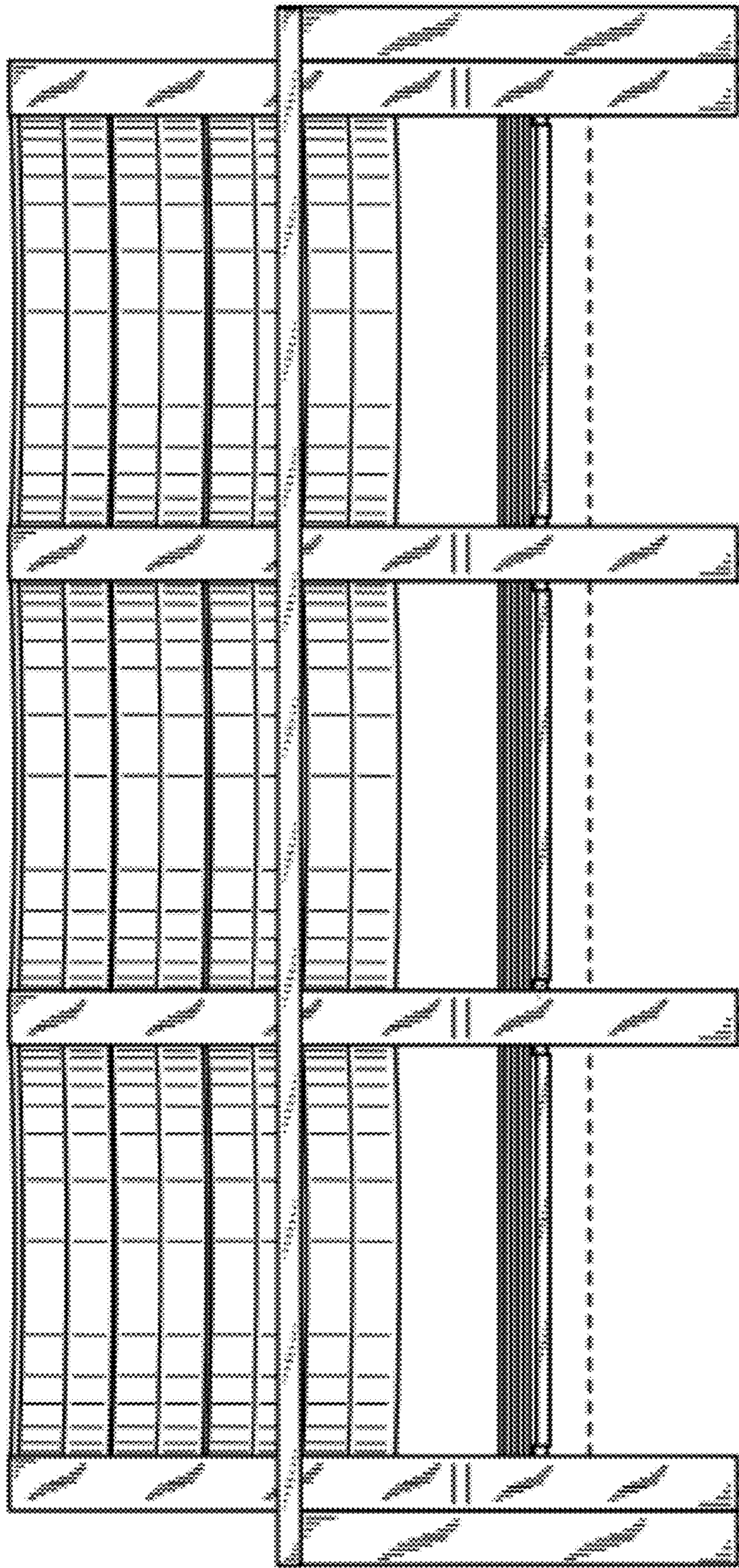


Fig. 3

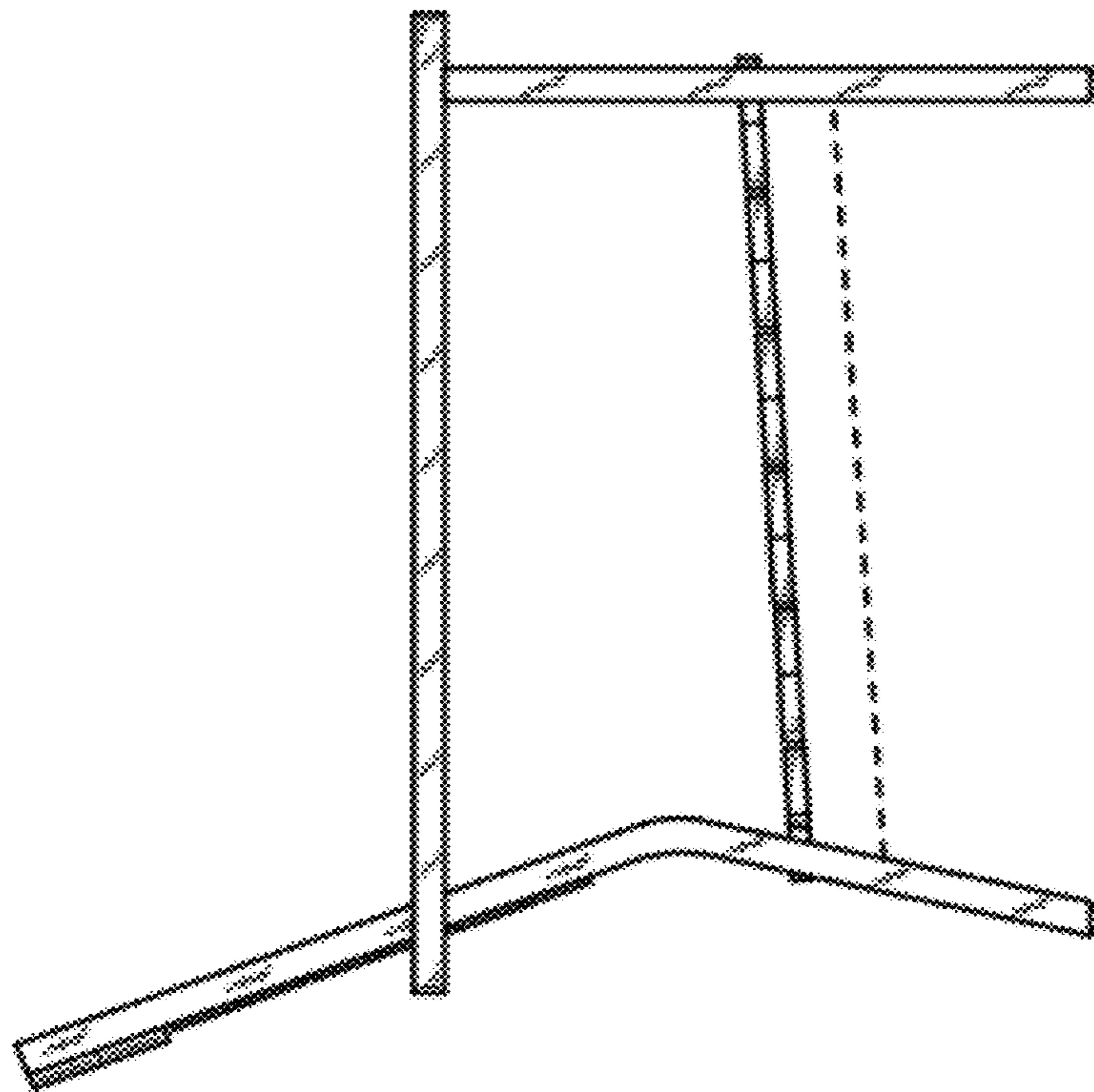


Fig. 4

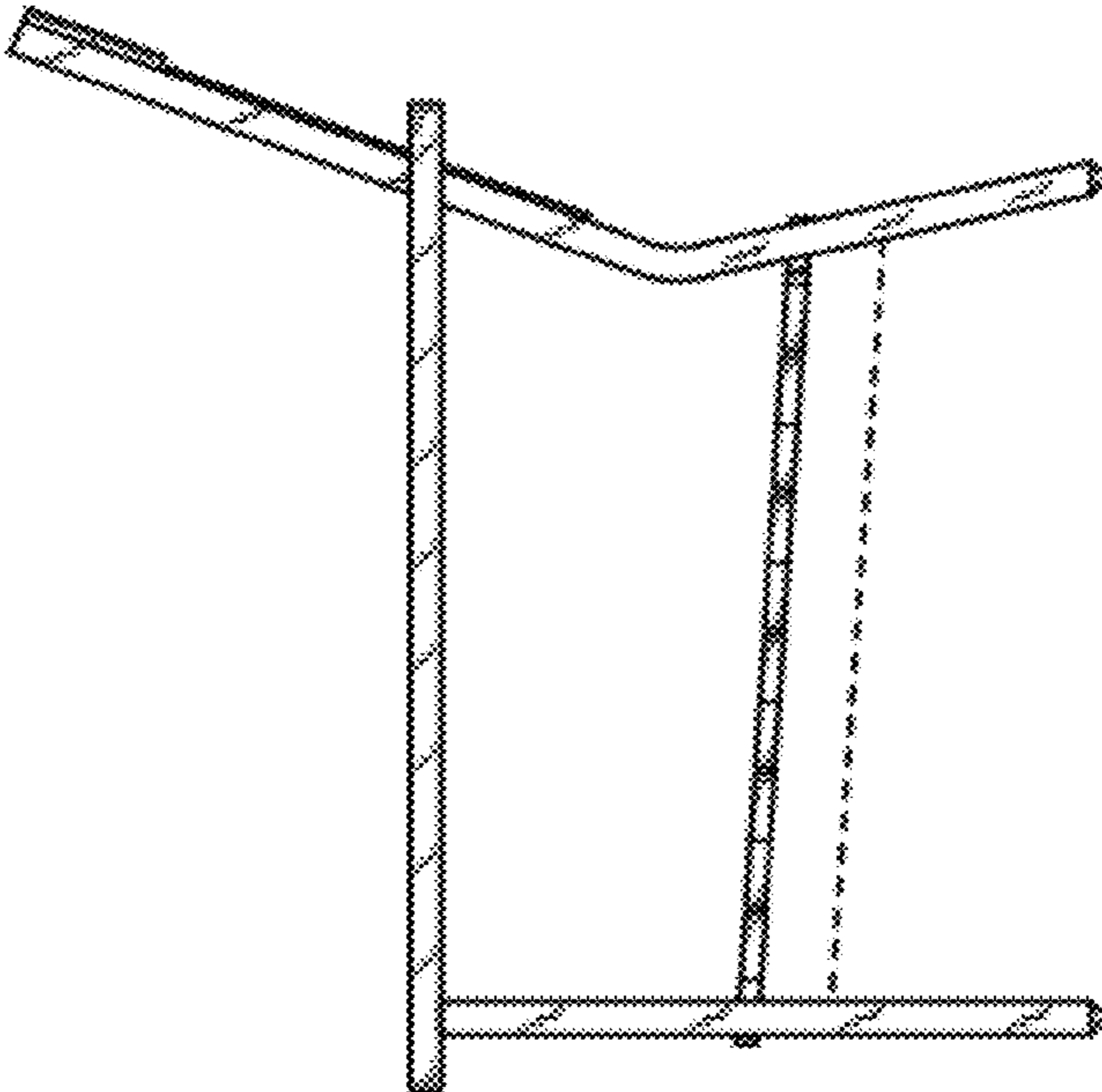


Fig. 5

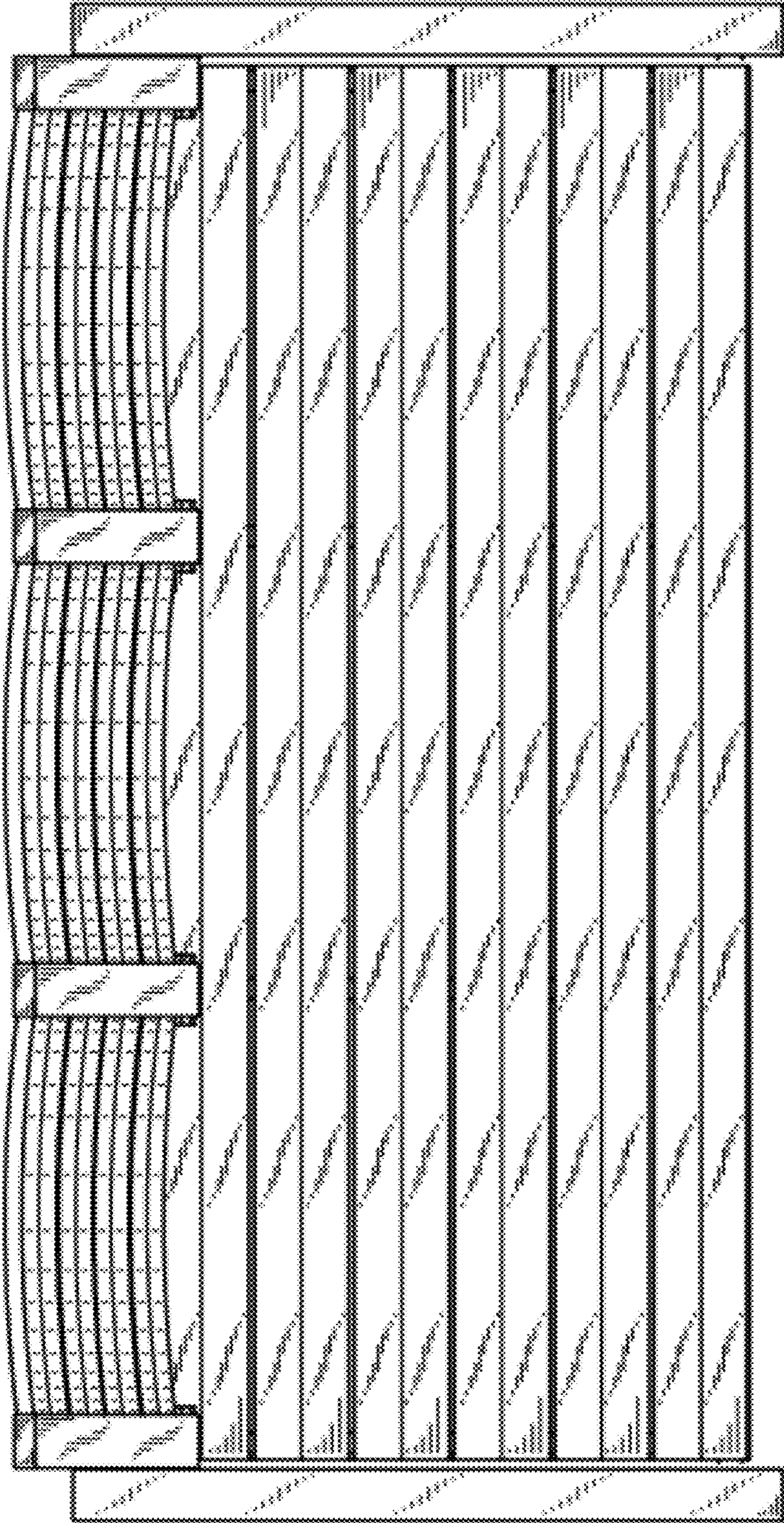


Fig. 6

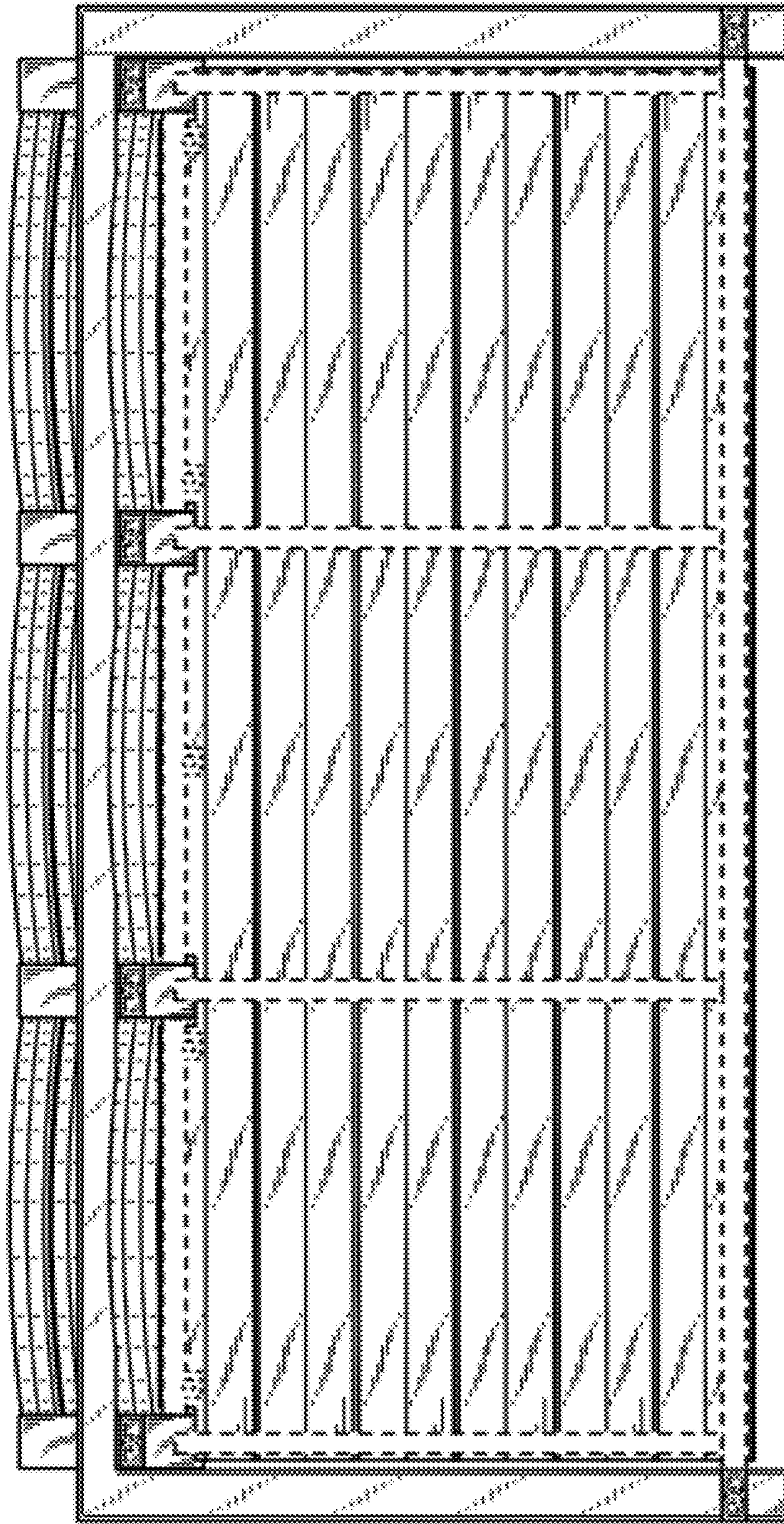


Fig. 7