

US00D660033S

(12) **United States Design Patent**
Nguyen

(10) **Patent No.:** **US D660,033 S**

(45) **Date of Patent:** **** May 22, 2012**

- (54) **SOFA**
- (75) Inventor: **Huu Toan Nguyen**, Milan (IT)
- (73) Assignee: **Dedon GmbH**, Luneburg (DE)
- (**) Term: **14 Years**
- (21) Appl. No.: **29/378,446**
- (22) Filed: **Nov. 4, 2010**

| | | | |
|--------------|--------|----------------------|--------|
| D254,039 S * | 1/1980 | Beall | D6/369 |
| D360,310 S * | 7/1995 | Stamberg et al. | D6/334 |
| D422,156 S * | 4/2000 | Black | D6/369 |
| D473,723 S * | 4/2003 | Pesso | D6/334 |
| D476,163 S * | 6/2003 | Ricci | D6/381 |
| D495,514 S * | 9/2004 | Ricci | D6/381 |

* cited by examiner

Primary Examiner — Mimosa De

(74) *Attorney, Agent, or Firm* — C. Brandon Browning;
Maynard Cooper & Gale, PC

(30) **Foreign Application Priority Data**

Aug. 5, 2010 (EM) 001740309

- (51) **LOC (9) Cl.** **06-01**
- (52) **U.S. Cl.** **D6/369**
- (58) **Field of Classification Search** D6/334–336,
D6/364, 369, 370, 371, 373, 374, 375, 381,
D6/500–502; 297/232, 233, 445.1, 446.1,
297/451.9, 452.64
See application file for complete search history.

(57) **CLAIM**

The ornamental design for a sofa, as shown and described.

DESCRIPTION

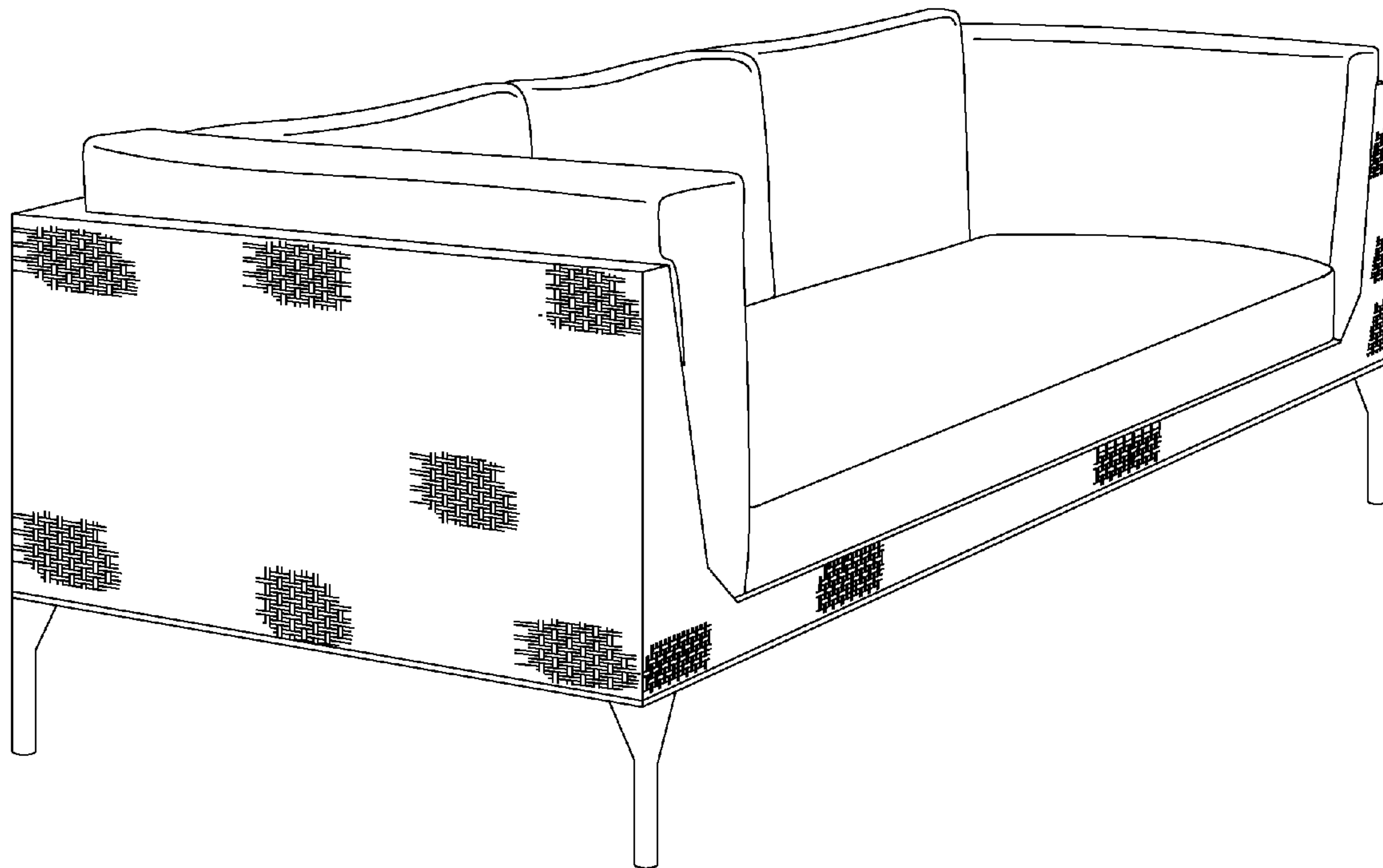
FIG. 1 is a front perspective view of a chair in accordance with the present invention.
 FIG. 2 is a side elevational view of the sofa of FIG. 1.
 FIG. 3 is a front elevational view of the sofa of FIG. 1.
 FIG. 4 is a rear elevational view of the sofa of FIG. 1; and,
 FIG. 5 is a top plan view of the sofa of FIG. 1.
 The fragmented depictions of weave pattern shown in the views are understood to repeat throughout the areas shown.

(56) **References Cited**

U.S. PATENT DOCUMENTS

| | | | |
|--------------|--------|---------------|--------|
| D234,329 S * | 2/1975 | Rocchia | D6/369 |
| D234,331 S * | 2/1975 | Rocchia | D6/369 |

1 Claim, 5 Drawing Sheets



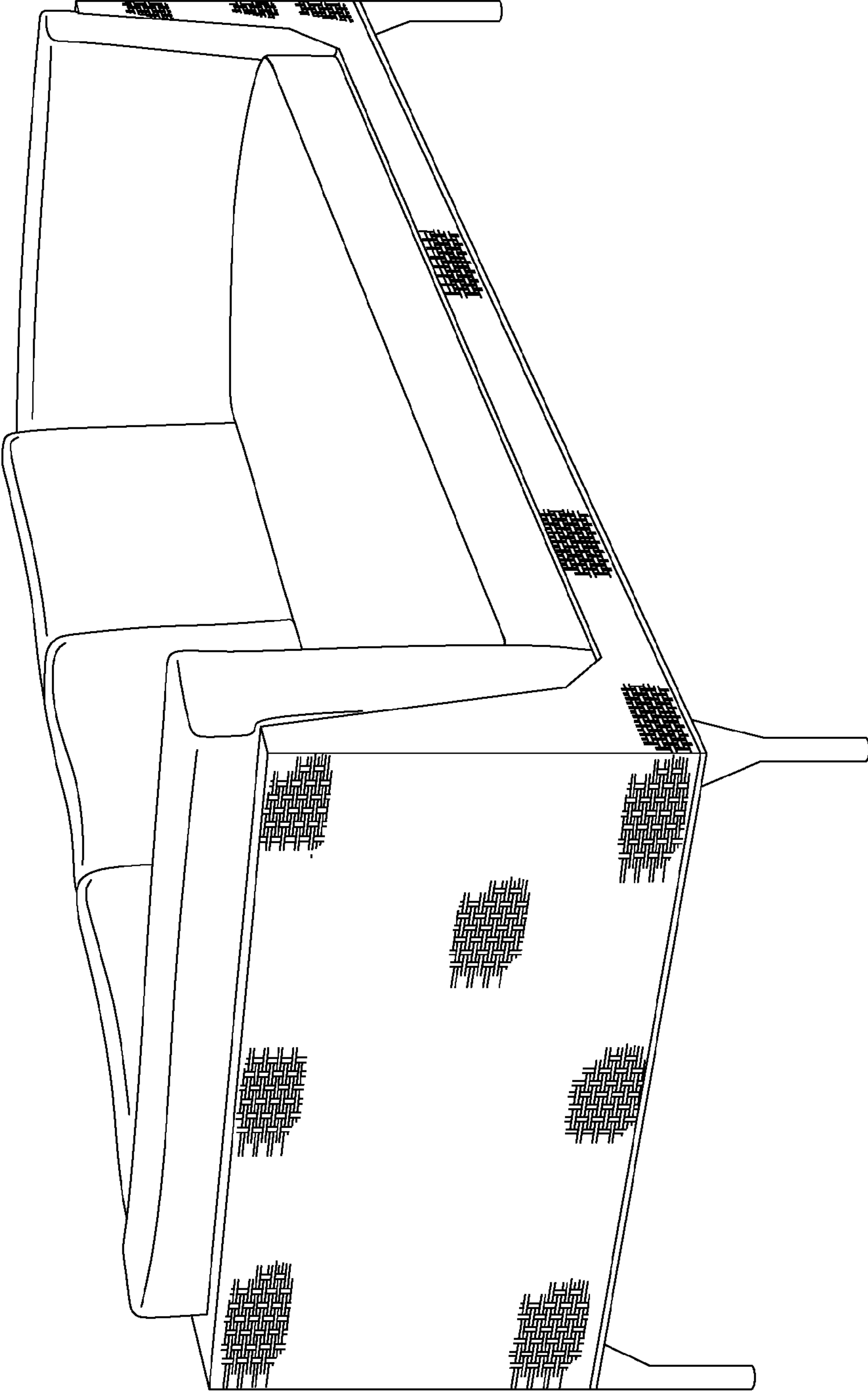


FIG. 1

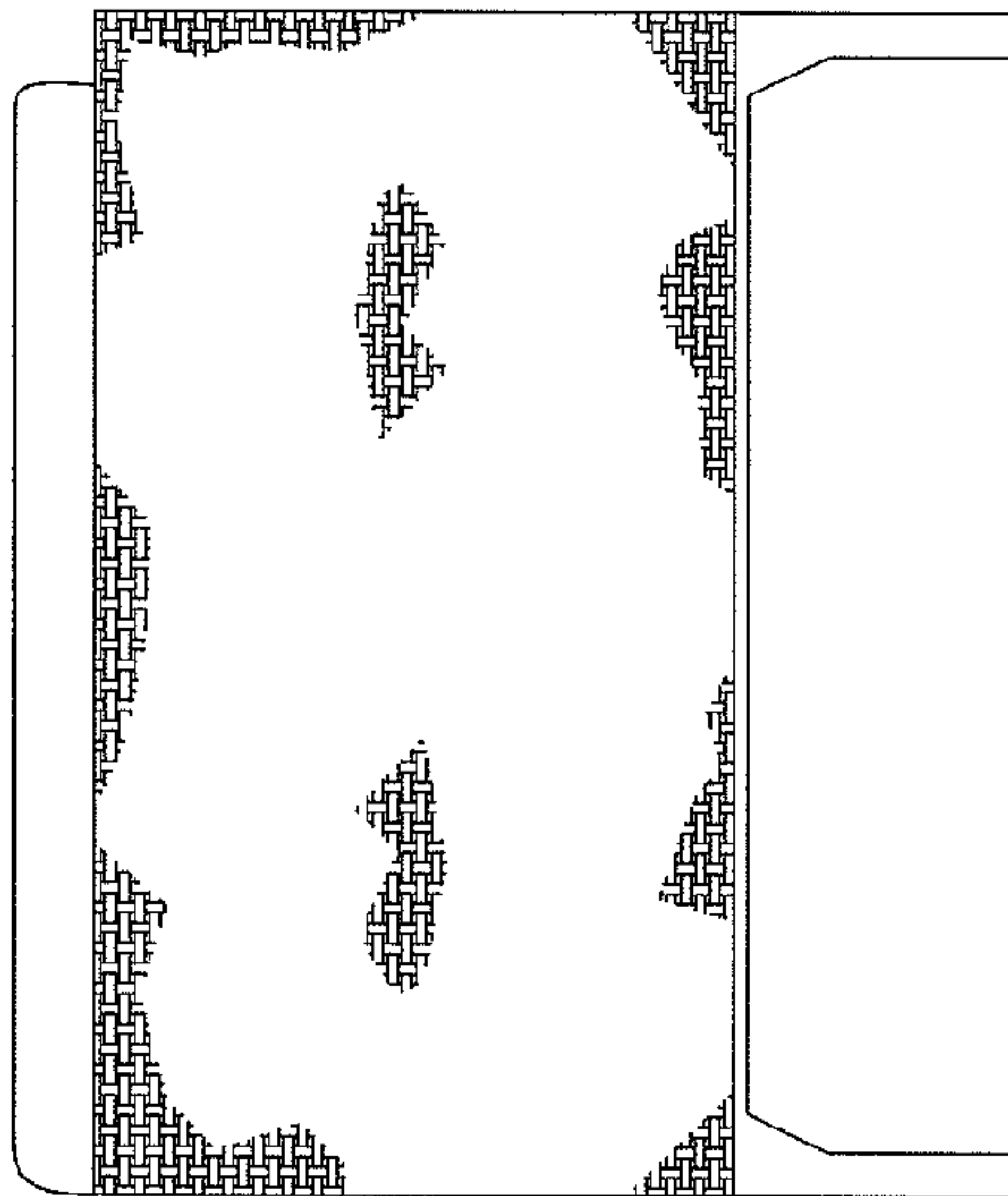


FIG. 2

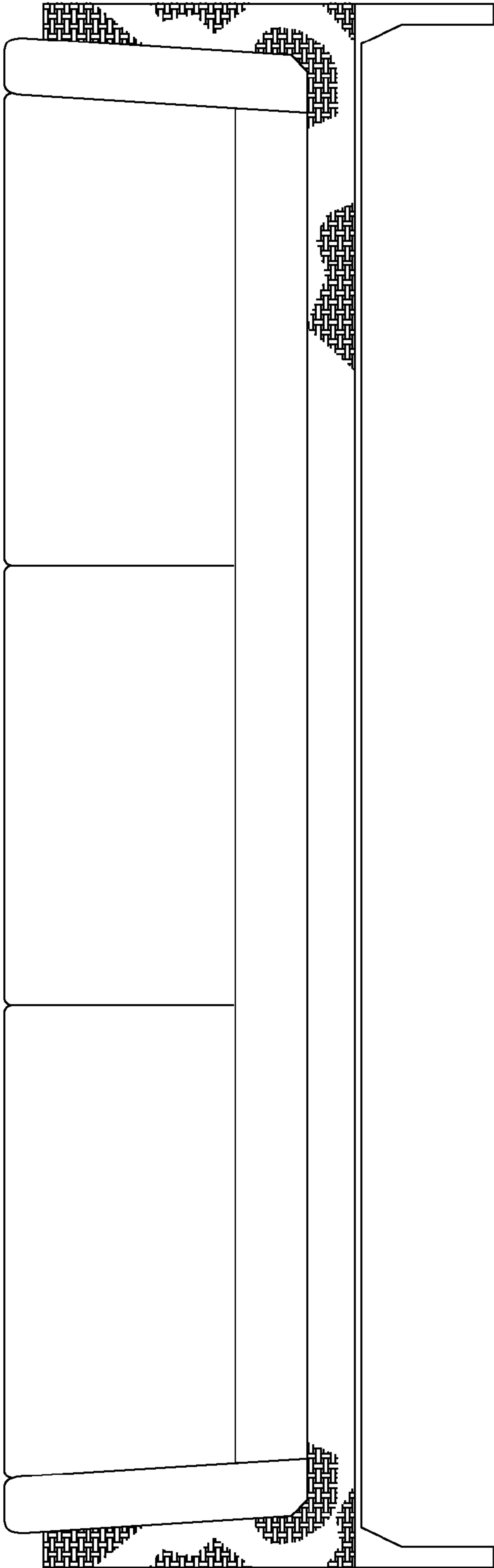


FIG. 3

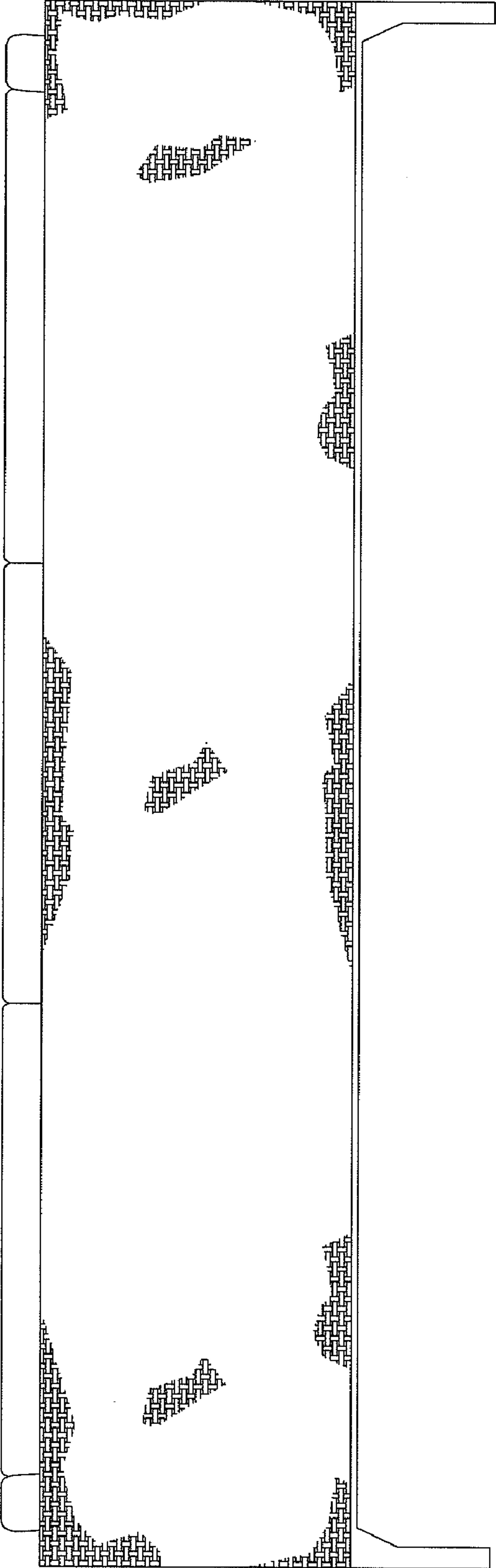


FIG. 4

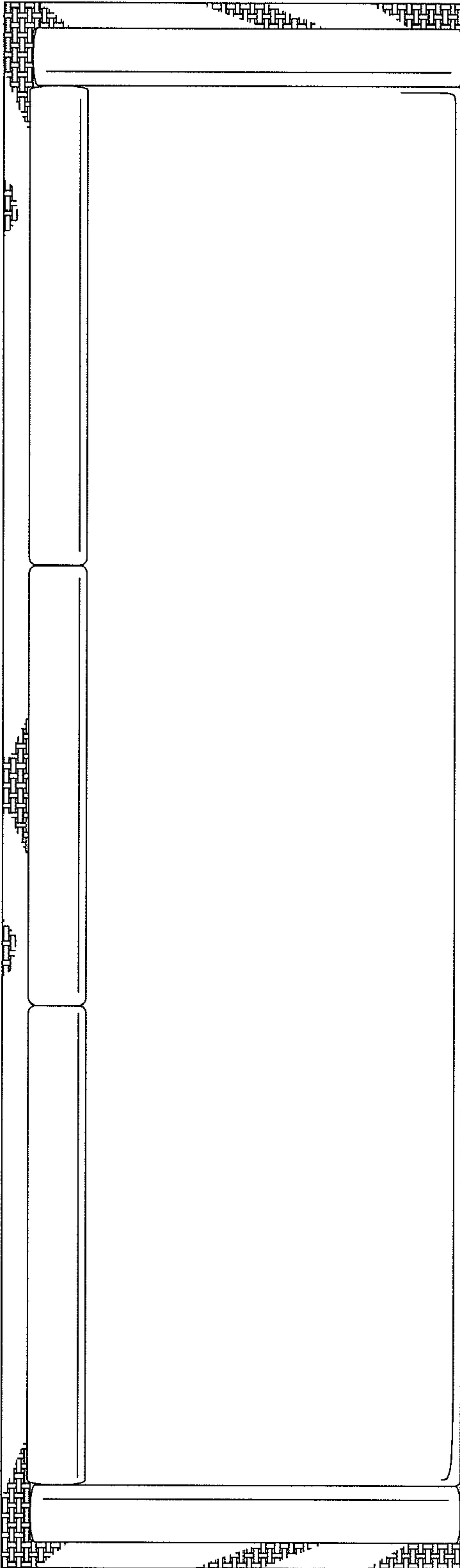


FIG. 5