



US00D660032S

(12) **United States Design Patent**  
**Lin et al.**

(10) **Patent No.:** **US D660,032 S**

(45) **Date of Patent:** **\*\* May 22, 2012**

(54) **SAND VEHICLE**

(75) Inventors: **Ming-Hsien Lin**, Yongkang (TW);  
**Po-Lu Chen**, Yongkang (TW); **Feng-Hsi Yang**, Tainan (TW)

(73) Assignee: **Sunny Castors Co., Ltd.**, Tainan (TW)

(\*\*) Term: **14 Years**

(21) Appl. No.: **29/368,595**

(22) Filed: **Aug. 26, 2010**

(51) **LOC (9) Cl.** ..... **06-01**

(52) **U.S. Cl.** ..... **D6/368**

(58) **Field of Classification Search** ..... D6/334–336,  
D6/361, 368, 371–373, 374, 375, 379, 380,  
D6/500–502; D12/128, 131; 297/16.1, 35,  
297/37, 39, 40, 45, 440.11, 452.2, 452.13,  
297/452.56, 452.63, 452.64

See application file for complete search history.

(56) **References Cited**

**U.S. PATENT DOCUMENTS**

D168,429 S *	12/1952	Williams	.....	D6/361
D285,871 S *	9/1986	Stenwall	.....	D6/336
D288,991 S *	3/1987	Noga	.....	D6/336
D394,356 S *	5/1998	Chen	.....	D6/361
D571,113 S *	6/2008	Cohen	.....	D6/368

D580,672 S *	11/2008	Le Gal et al.	.....	D6/368
7,500,715 B1 *	3/2009	Chen	.....	297/35
D627,270 S *	11/2010	Kretschmer	.....	D12/131
D648,148 S *	11/2011	Henry	.....	D6/368
D650,601 S *	12/2011	Le Gal	.....	D6/361

\* cited by examiner

*Primary Examiner* — Mimosa De

(74) *Attorney, Agent, or Firm* — Alan Kamrath; Kamrath IP Lawfirm, PA

(57) **CLAIM**

The ornamental design for a sand vehicle, as shown and described.

**DESCRIPTION**

FIG. 1 is a perspective view of a sand vehicle showing my design;

FIG. 2 is a front elevational view thereof;

FIG. 3 is a rear elevational view thereof;

FIG. 4 is a left side elevational view thereof;

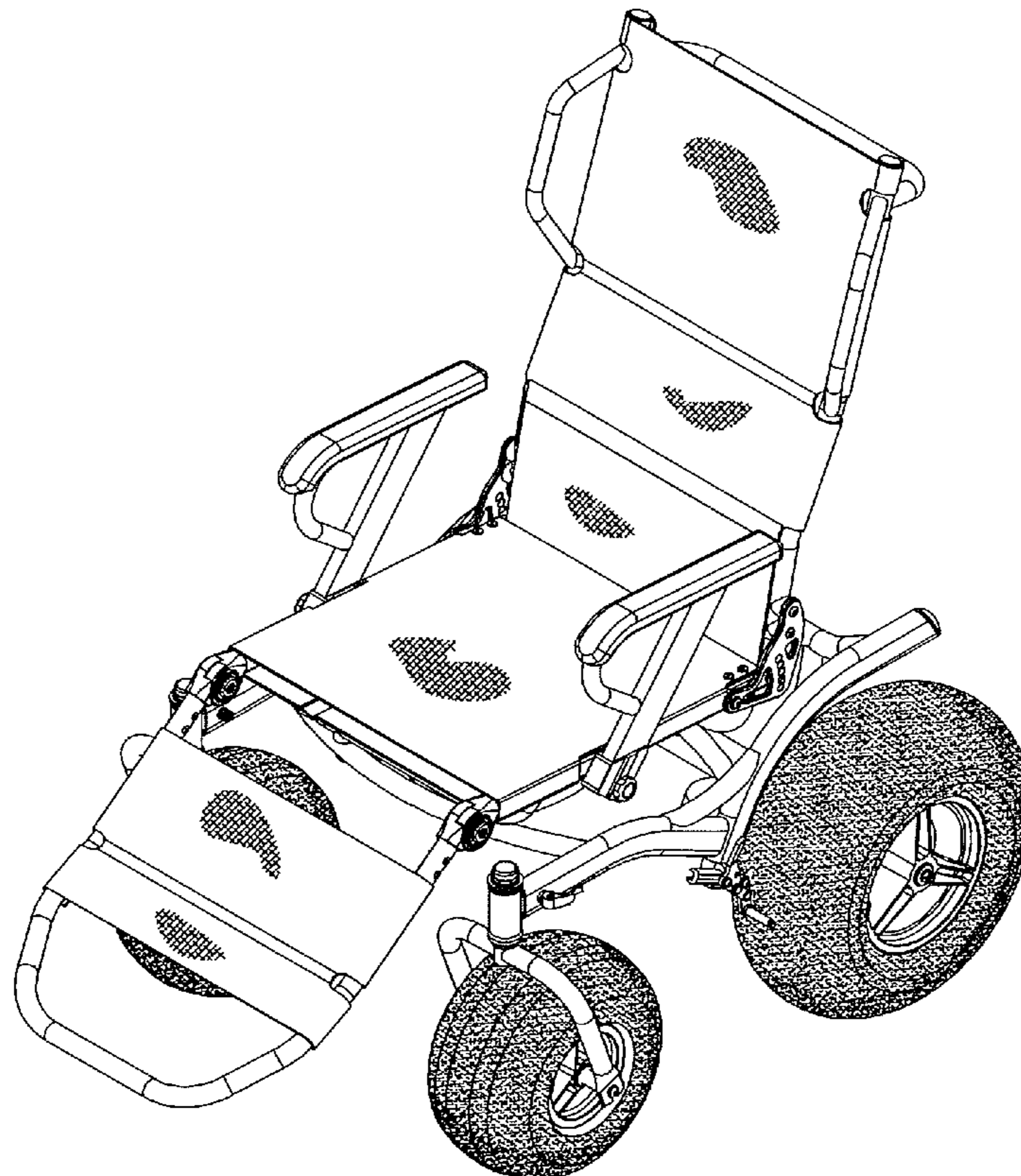
FIG. 5 is a right side elevational view thereof;

FIG. 6 is a top plan view thereof; and,

FIG. 7 is a bottom plan view thereof.

The fragmented cross-hatching shown on the leg rest, seat and backrest is understood to represent fabric which would be continuous throughout the implied areas.

**1 Claim, 7 Drawing Sheets**



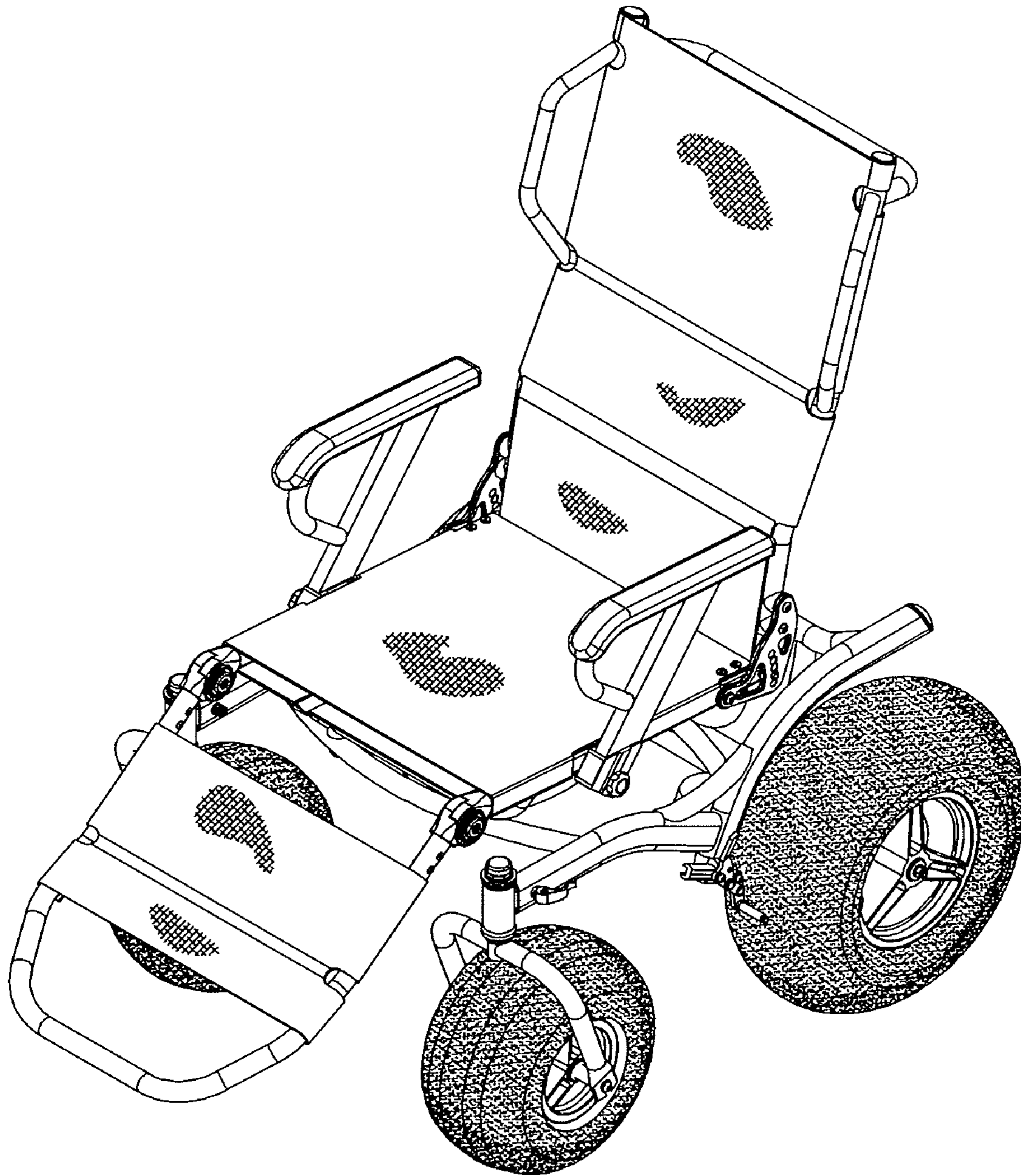


FIG. 1



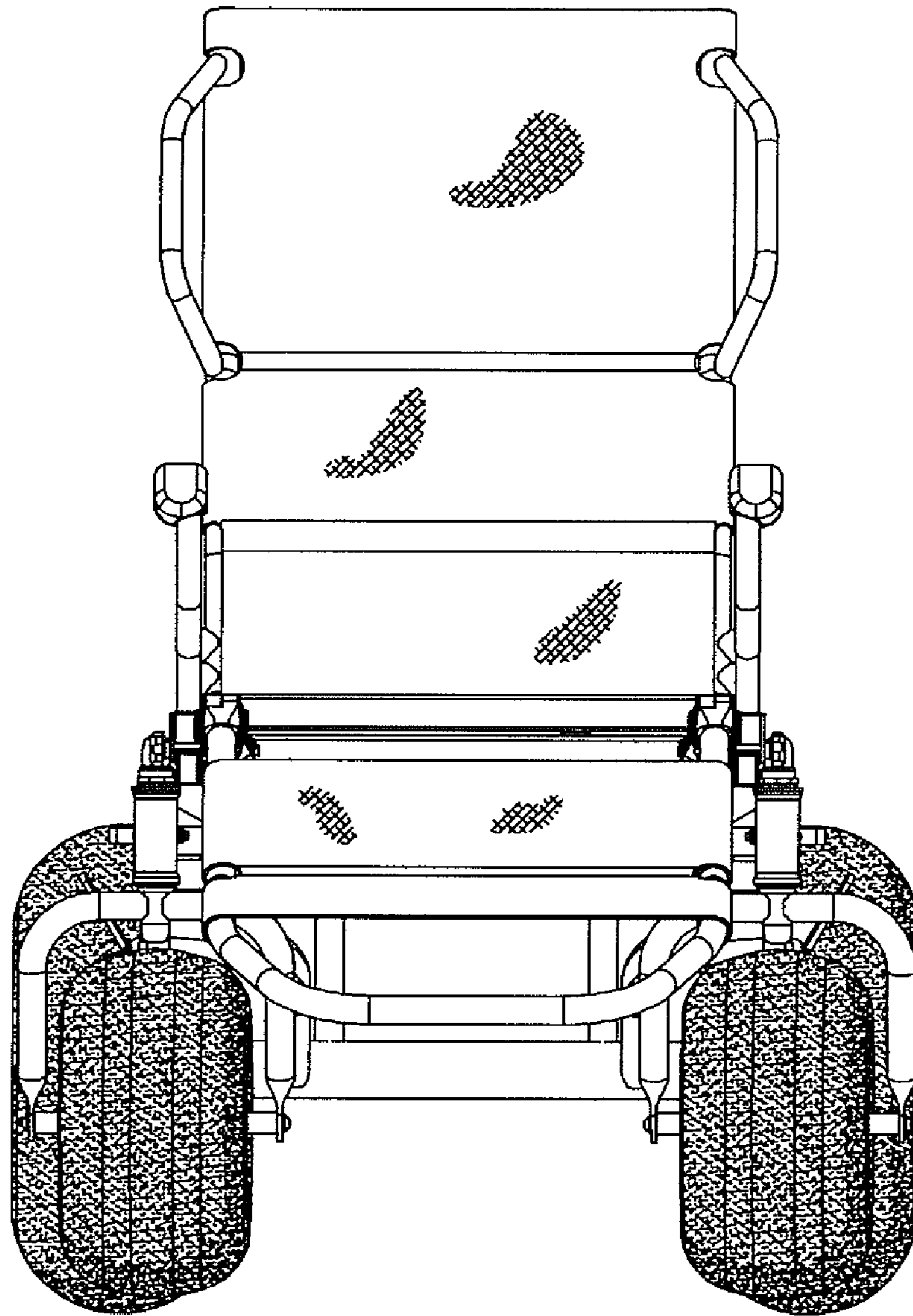


FIG. 2

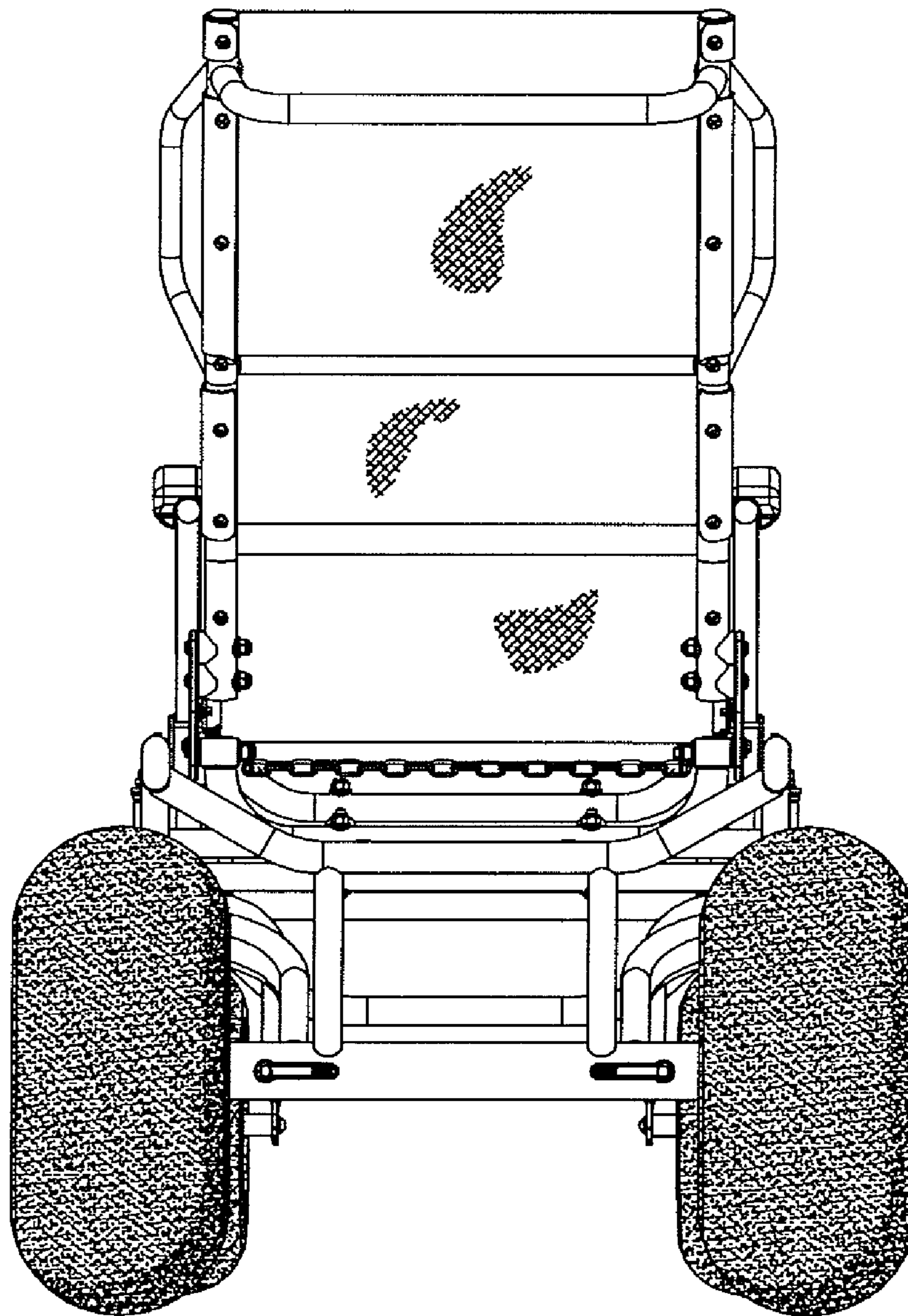


FIG. 3

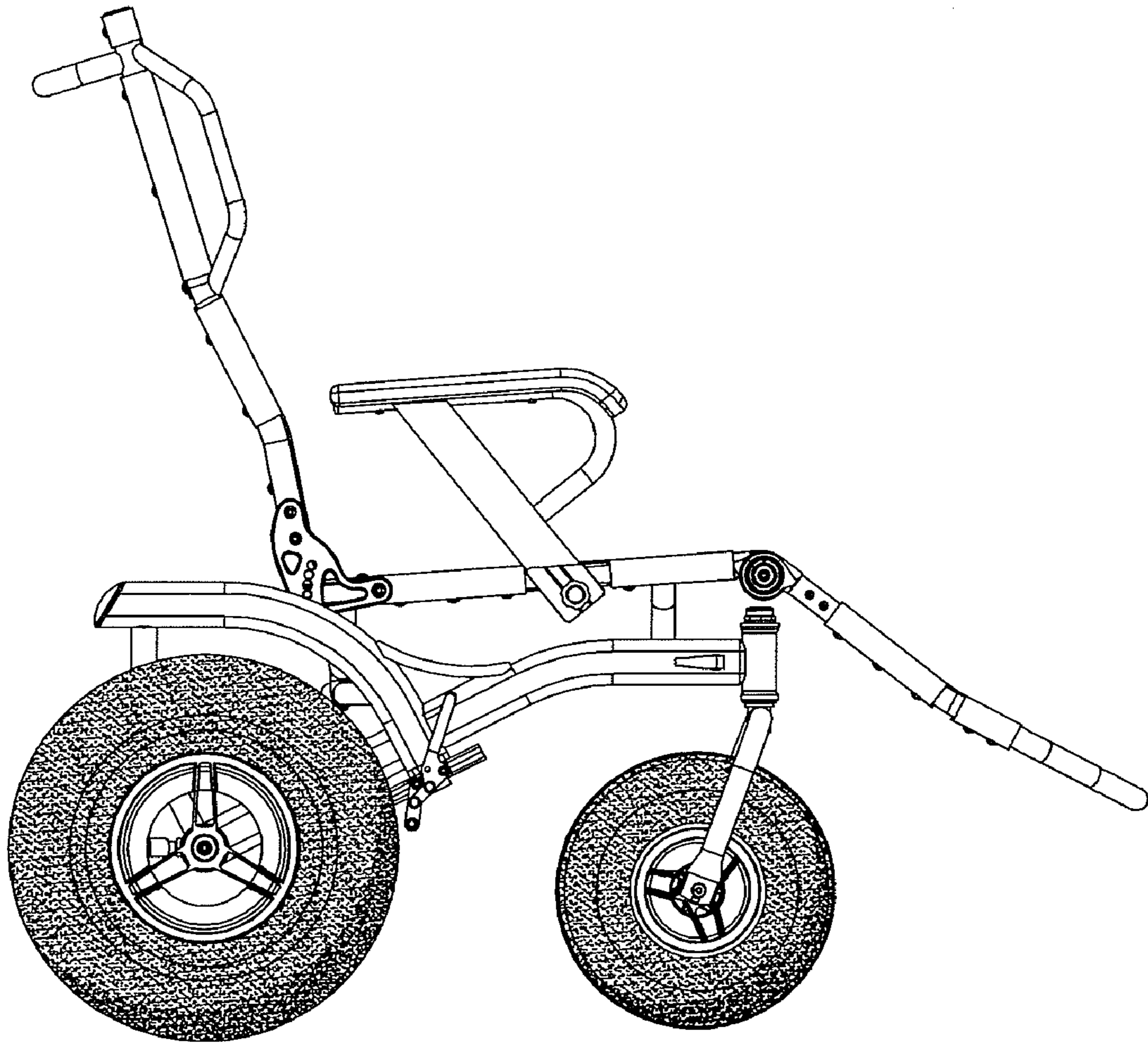


FIG. 4



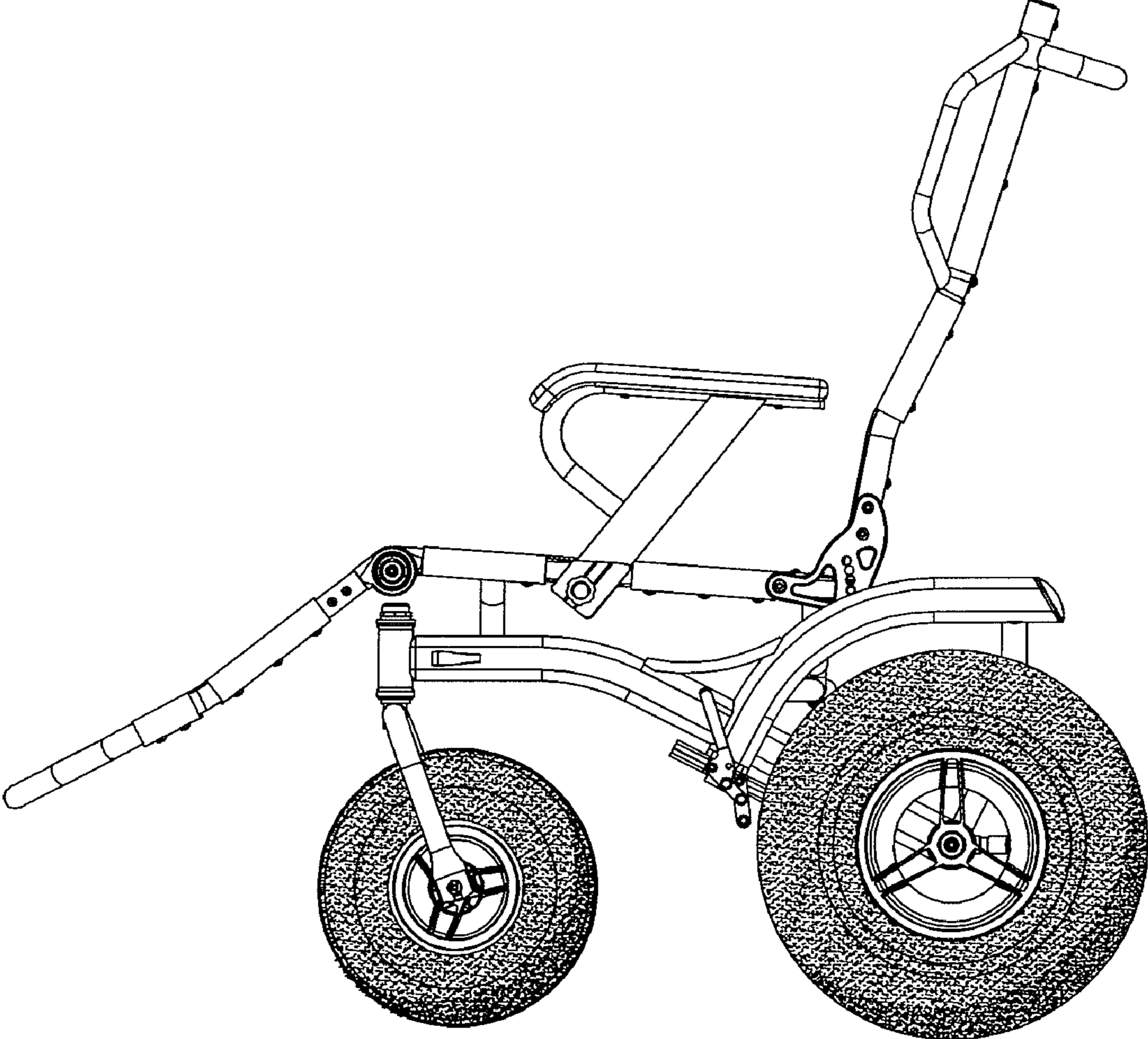


FIG. 5

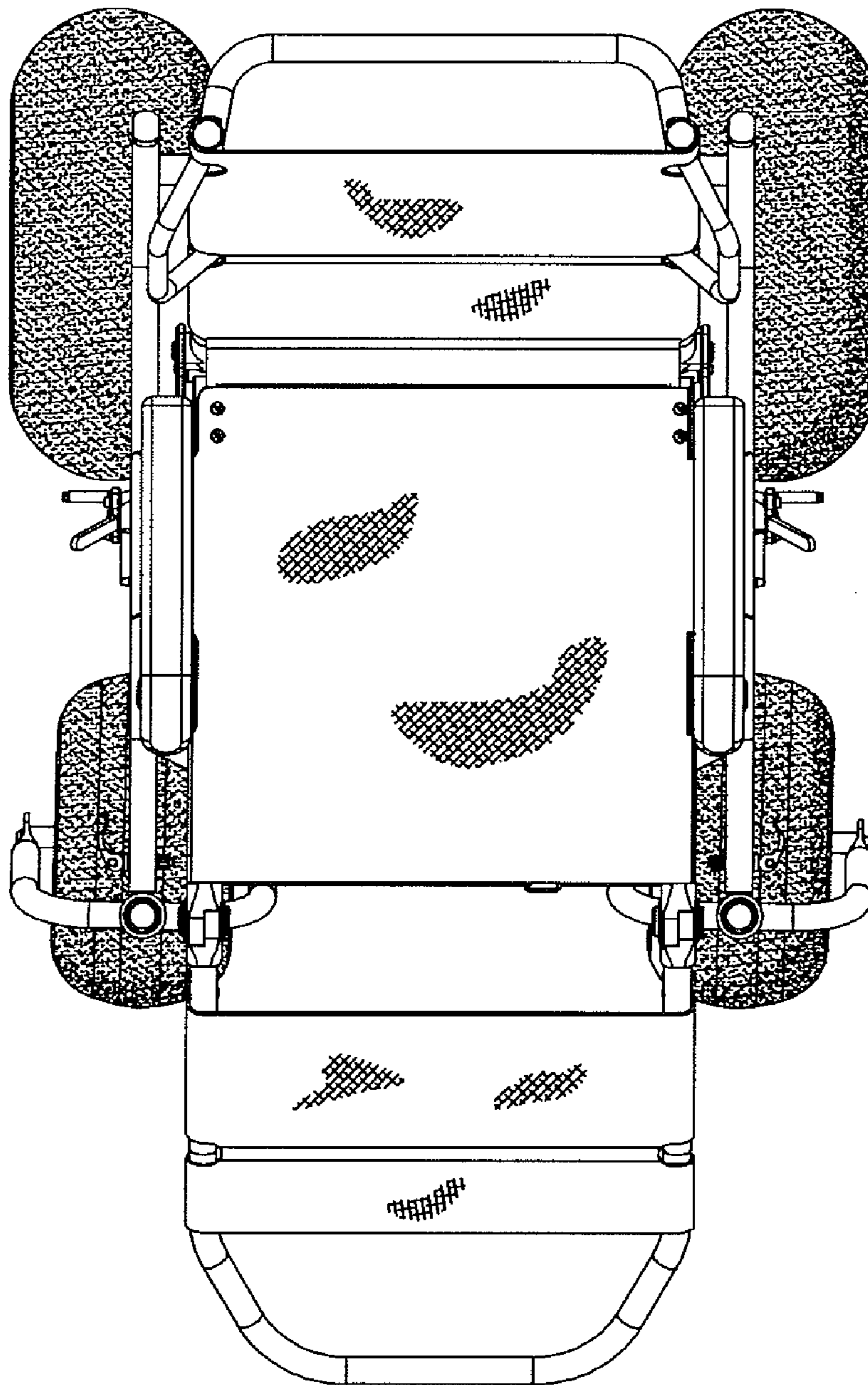


FIG. 6

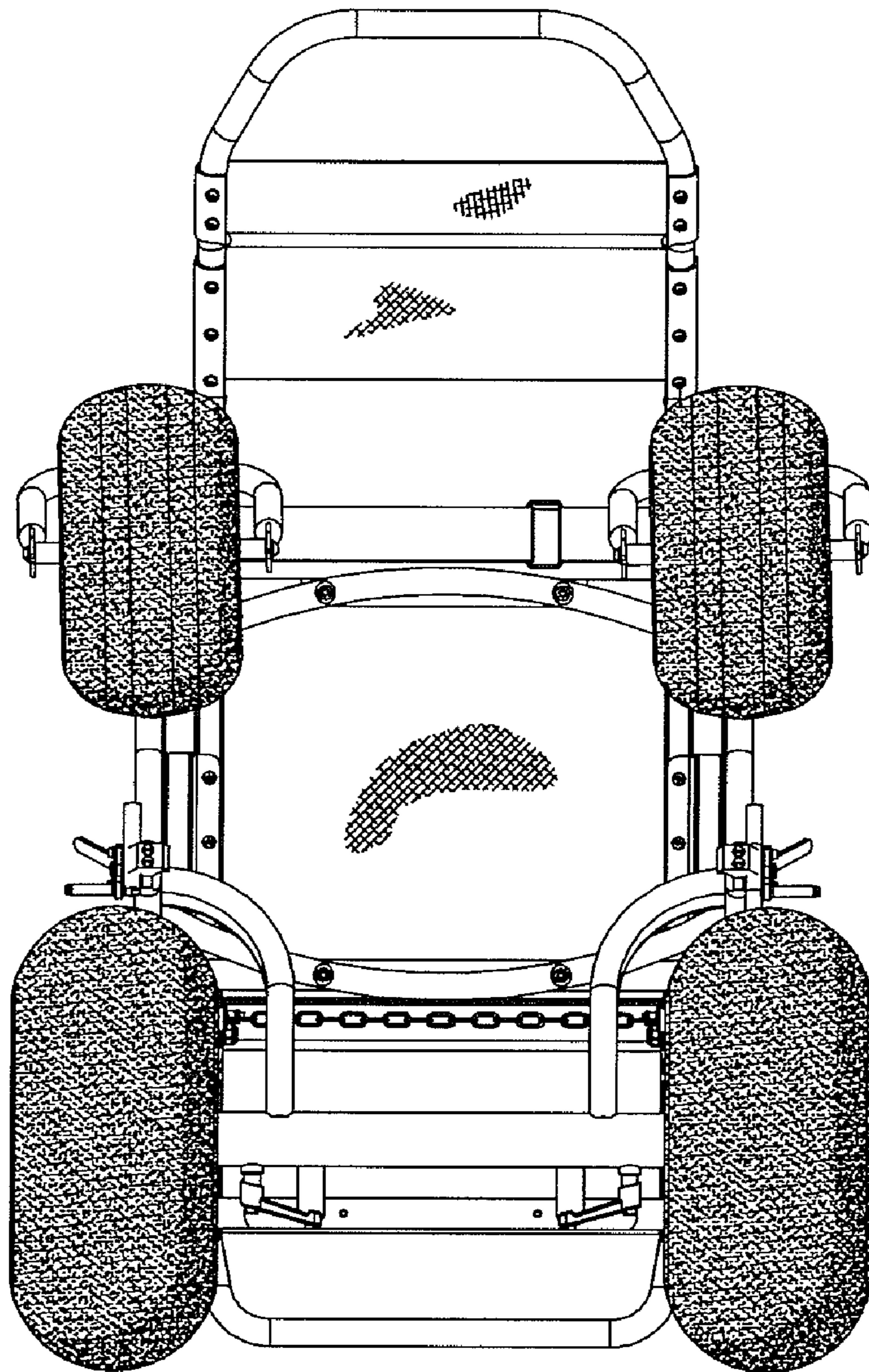


FIG. 7