



US00D660030S

(12) **United States Design Patent**  
**Starzewski**

(10) **Patent No.:** **US D660,030 S**

(45) **Date of Patent:** **\*\* May 22, 2012**

(54) **CHAIR**

(75) Inventor: **Thomas Starzewski**, Ulm (DE)

(73) Assignee: **Interstuhl Bueromoebel GmbH & Co. KG**, Messstetten (DE)

(\*\*) Term: **14 Years**

(21) Appl. No.: **29/376,705**

(22) Filed: **Oct. 11, 2010**

(30) **Foreign Application Priority Data**

May 10, 2010 (EP) ..... 001213375-001

(51) **LOC (9) Cl.** ..... **06-01**

(52) **U.S. Cl.** ..... **D6/366**

(58) **Field of Classification Search** ..... D6/334-336,  
D6/364, 365, 366, 367, 369, 374, 379, 380,  
D6/498, 500-502; 297/284.4, 411.27, 411.32,  
297/452.21, 452.24, 452.26, 452.29, 452.32,  
297/452.35

See application file for complete search history.

(56) **References Cited**

**U.S. PATENT DOCUMENTS**

2,661,227 A \* 12/1953 Murphy ..... 297/411.32  
3,328,020 A \* 6/1967 Flint ..... 297/452.29

3,967,851 A \* 7/1976 Stier ..... 297/411.32  
D390,712 S \* 2/1998 Koepke et al. .... D6/366  
D405,283 S \* 2/1999 James ..... D6/366  
D418,316 S \* 1/2000 Vogtherr ..... D6/366  
D543,041 S \* 5/2007 Hara ..... D6/366  
D543,369 S \* 5/2007 Hara ..... D6/366  
7,396,079 B2 \* 7/2008 Heidmann et al. .... 297/284.4  
D597,331 S \* 8/2009 Neil ..... D6/366

\* cited by examiner

*Primary Examiner* — Mimosa De

(74) *Attorney, Agent, or Firm* — Michael J. Striker

(57) **CLAIM**

The ornamental design for a chair, as shown and described.

**DESCRIPTION**

FIG. 1 is a front perspective view of a chair showing my new design;

FIG. 2 is a front view thereof;

FIG. 3 is a rear view thereof;

FIG. 4 is a left side view thereof;

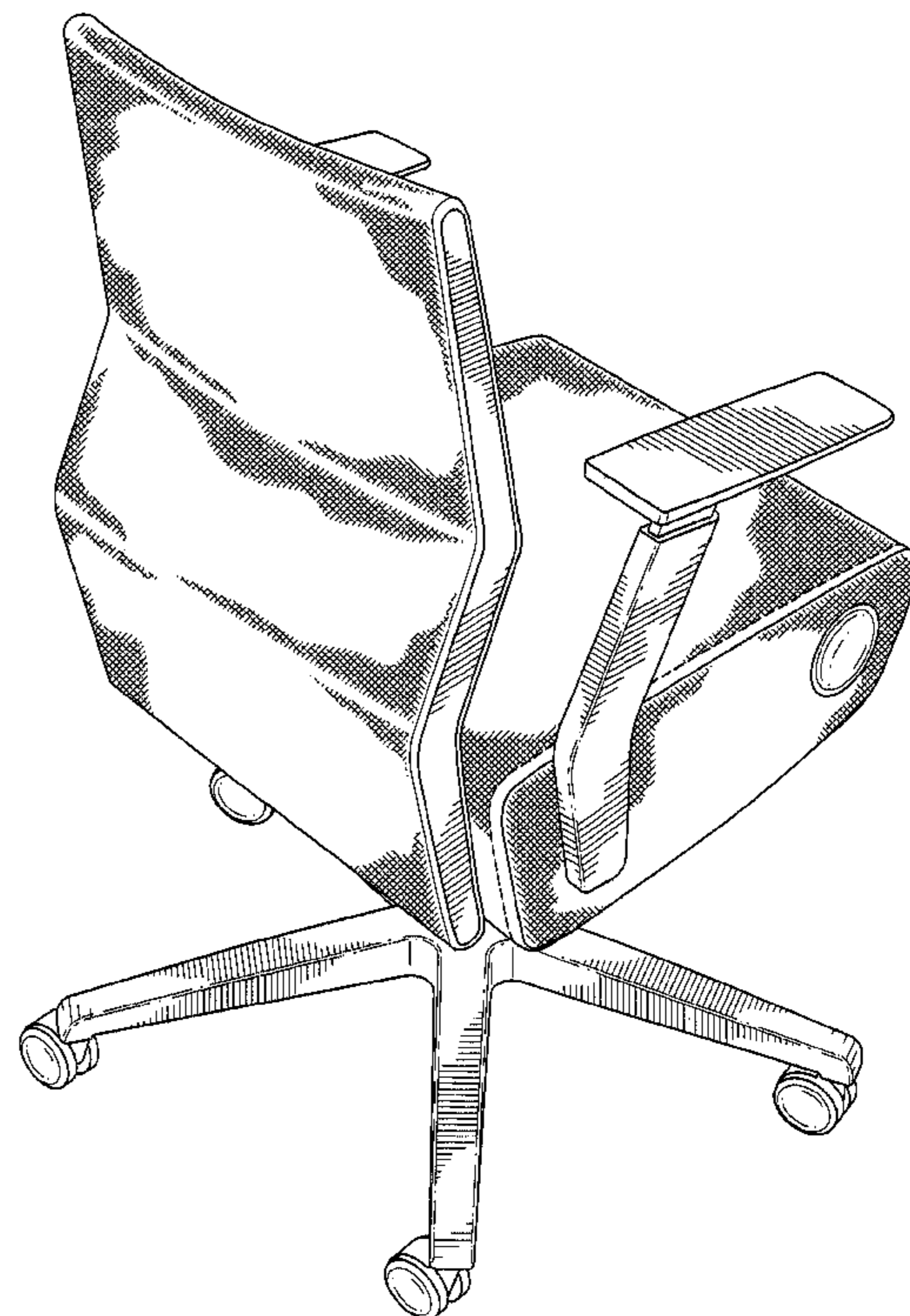
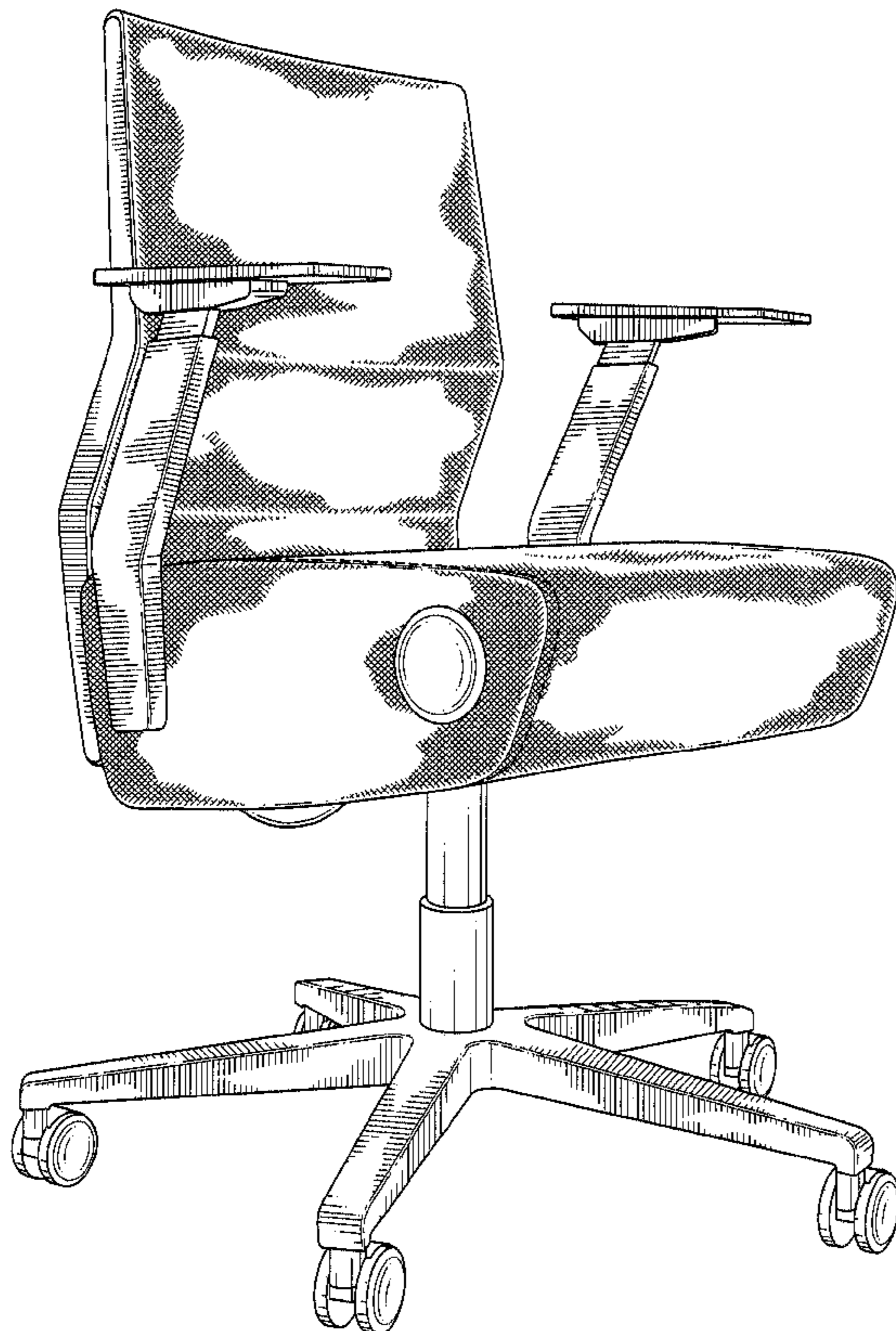
FIG. 5 is a right side view thereof;

FIG. 6 is a top plan view thereof; and,

FIG. 7 is a ¾ rear perspective view thereof.

The dashed lines shown on the chair seat cushion are understood to represent stitching.

**1 Claim, 7 Drawing Sheets**



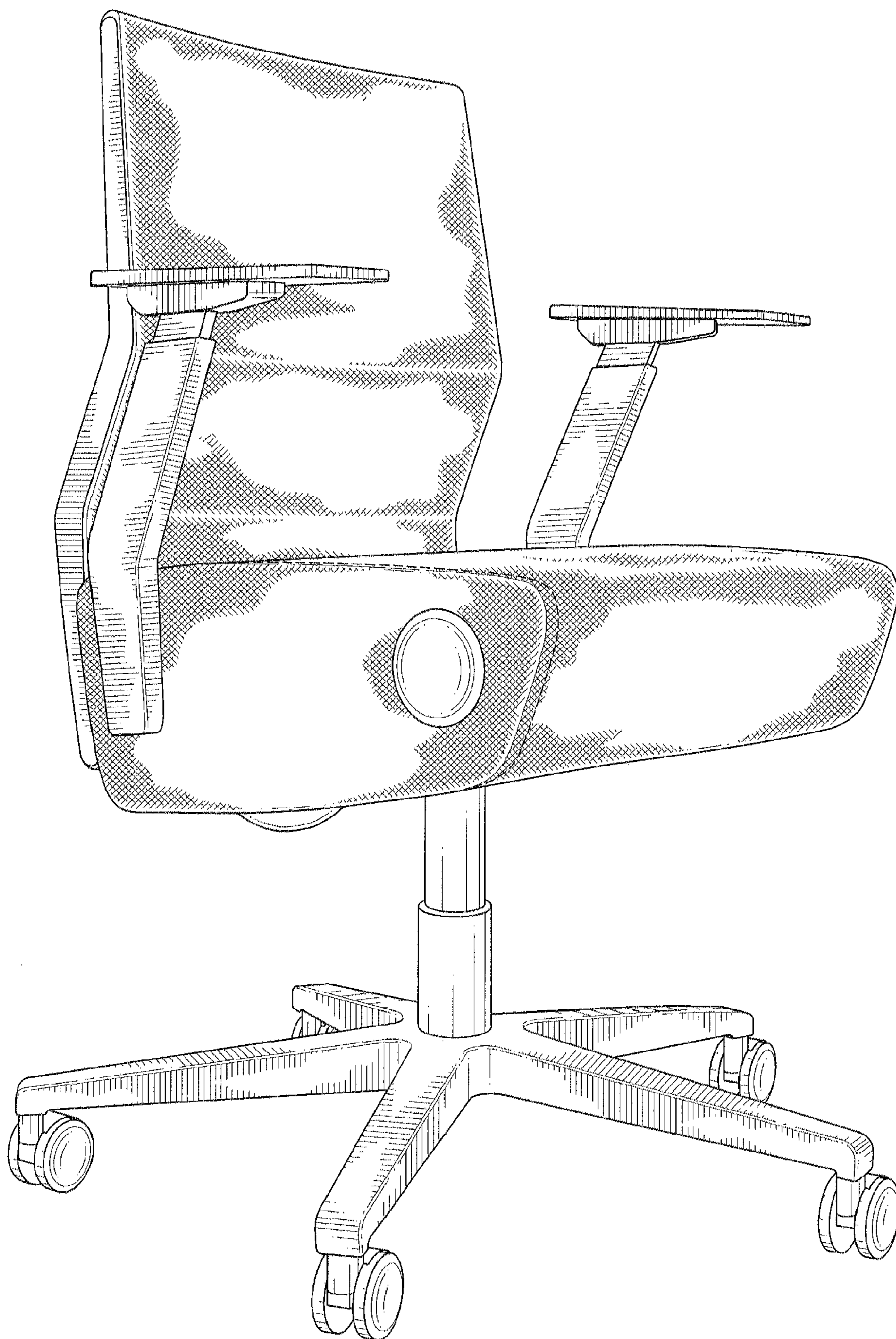


FIG. 1

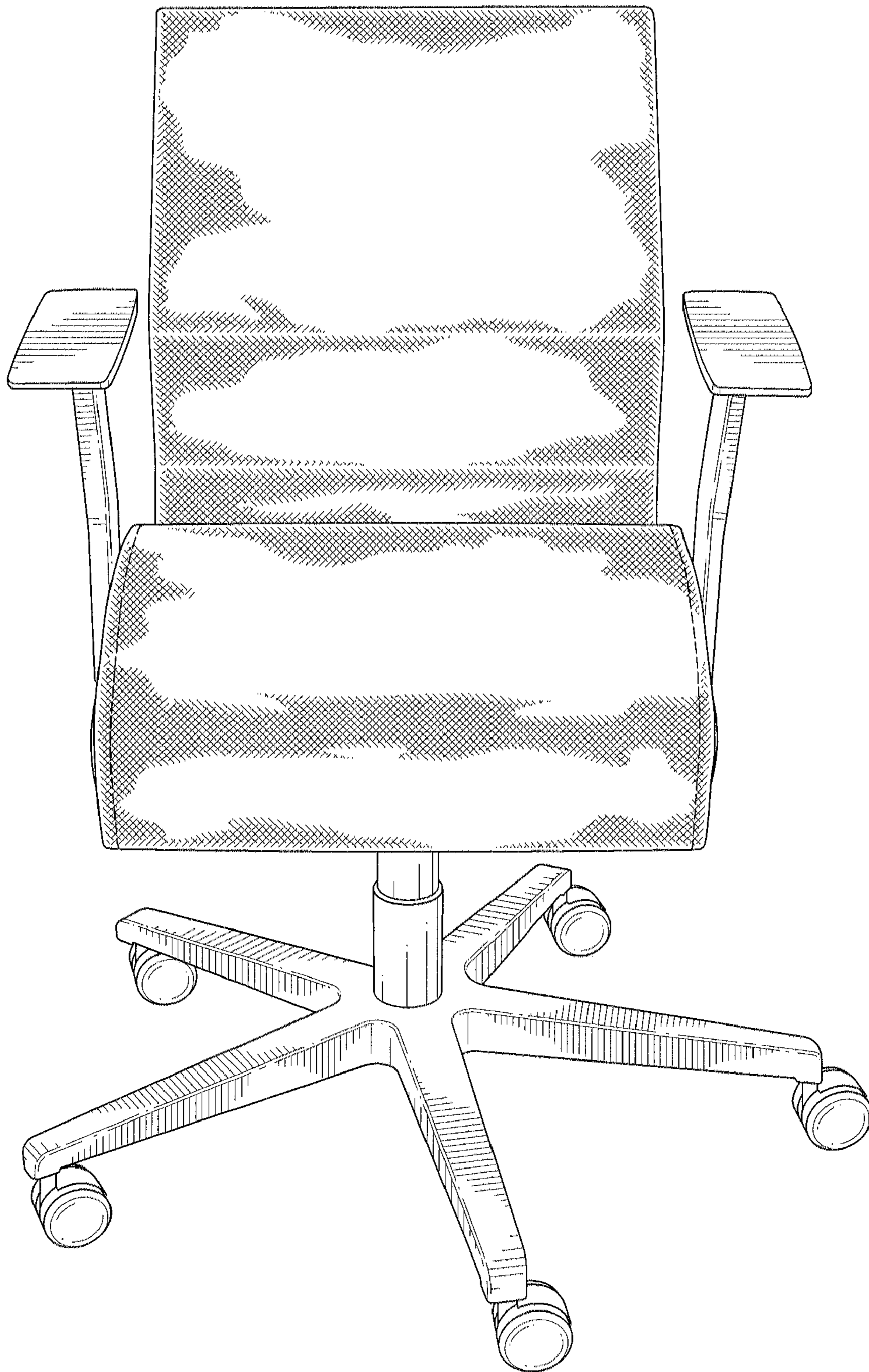


FIG. 2

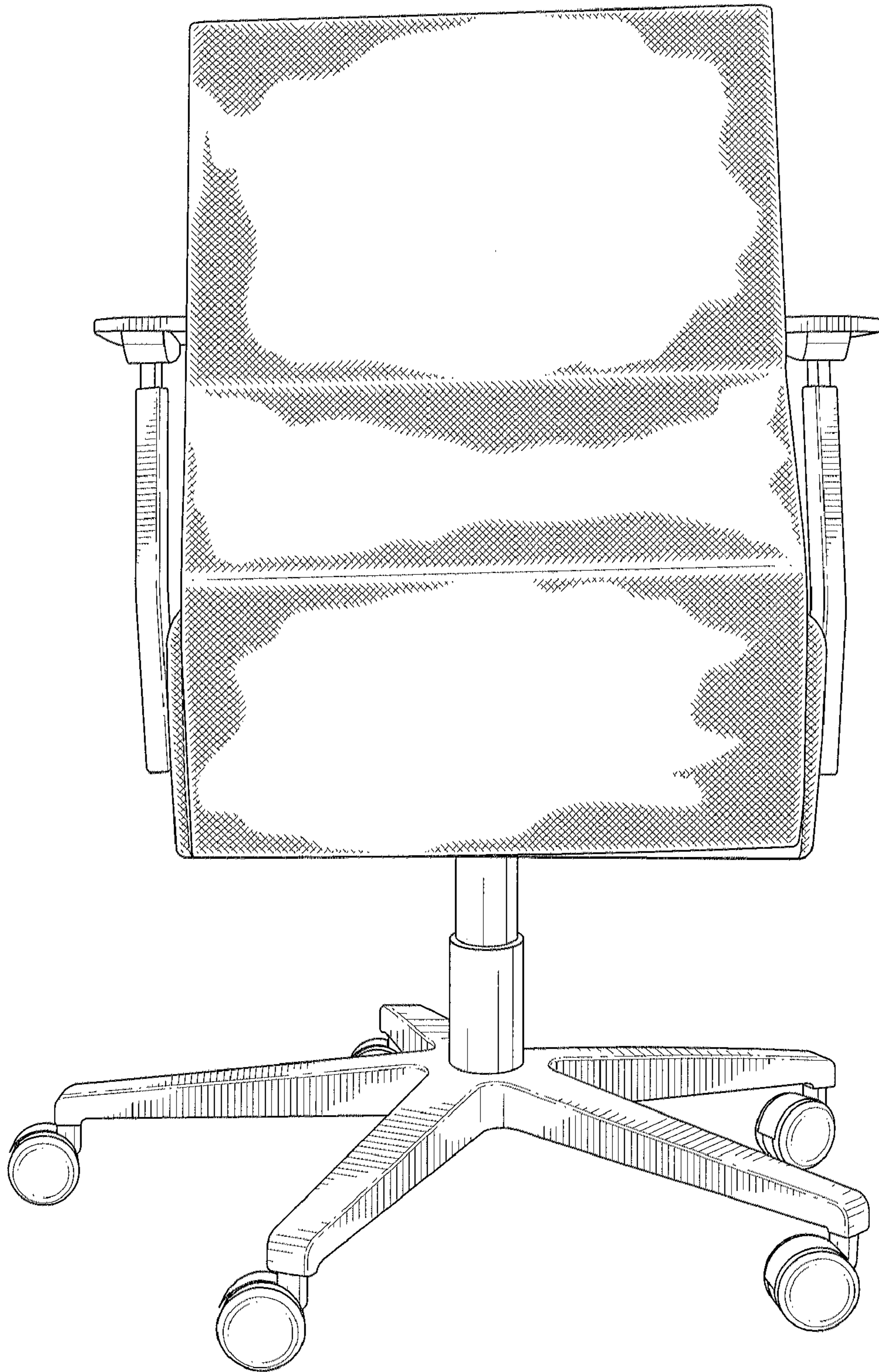


FIG. 3

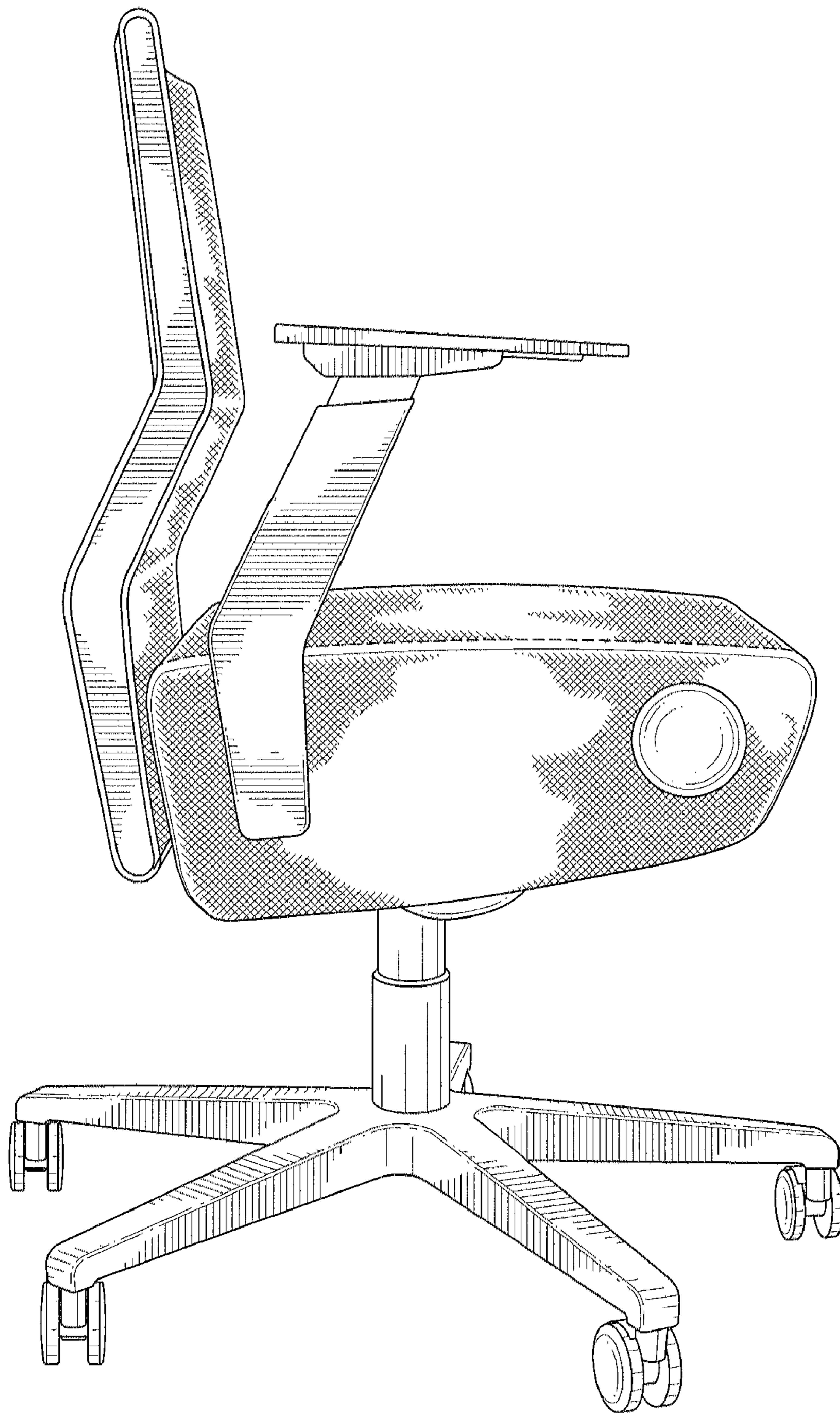


FIG. 4

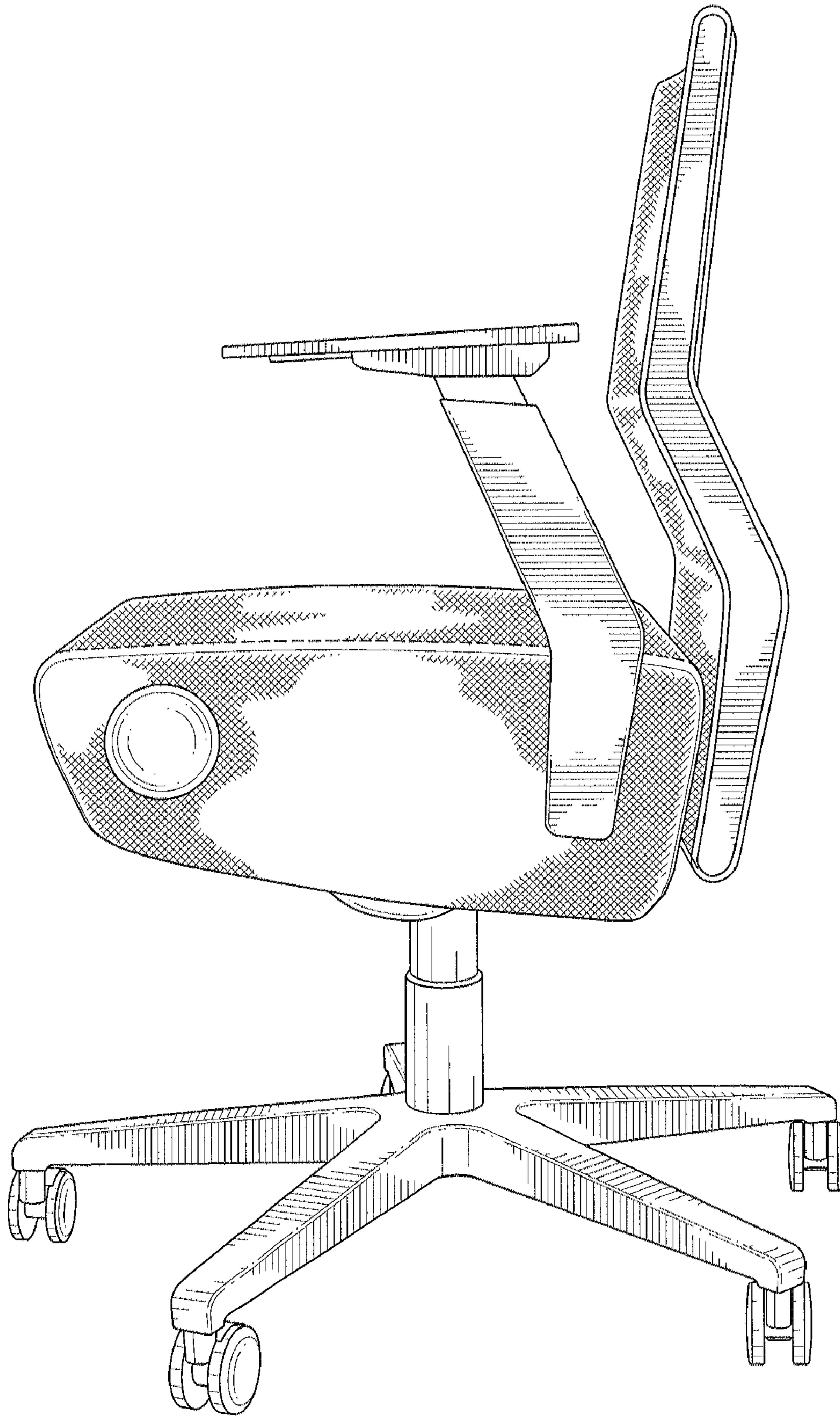


FIG. 5

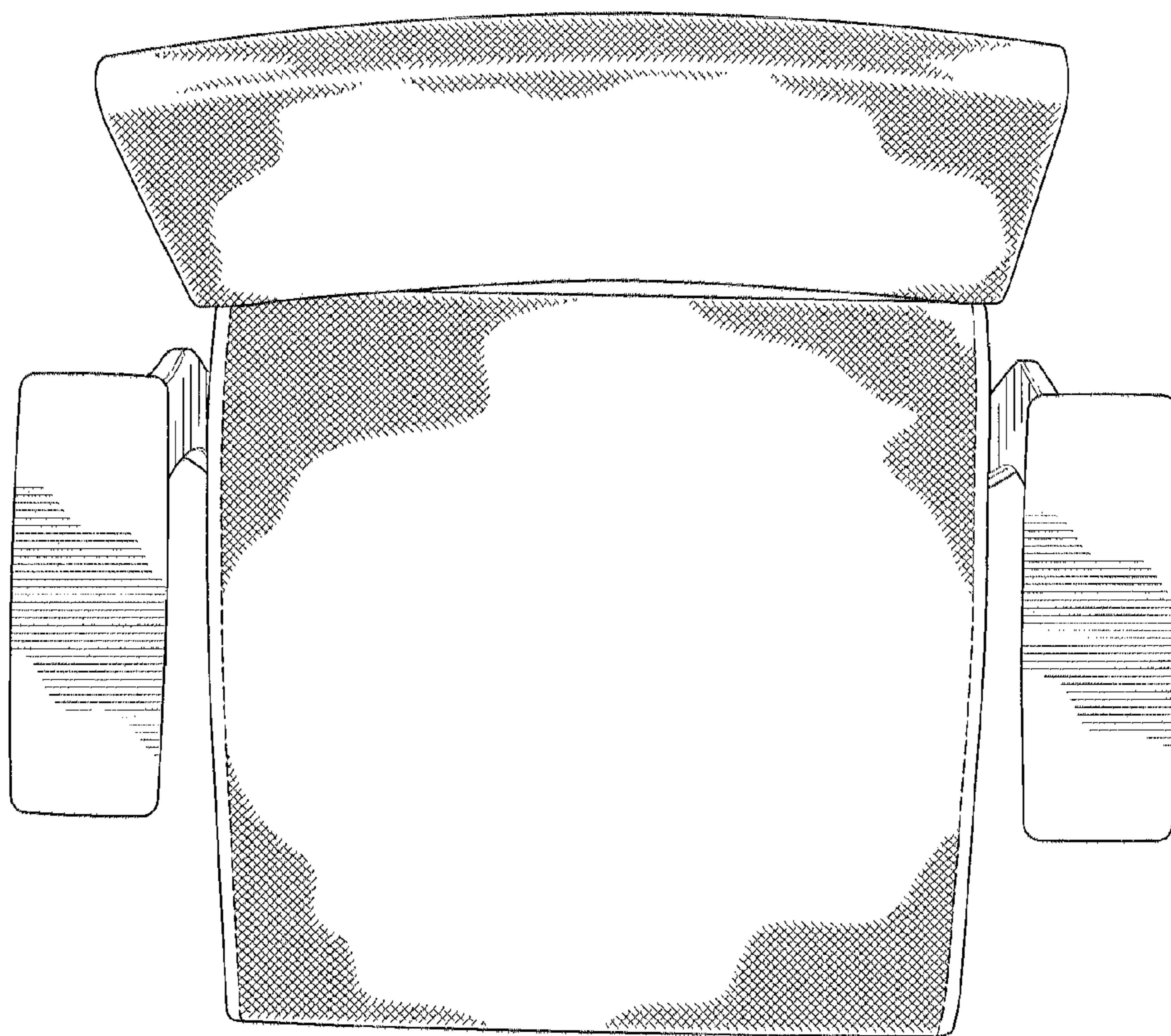


FIG. 6

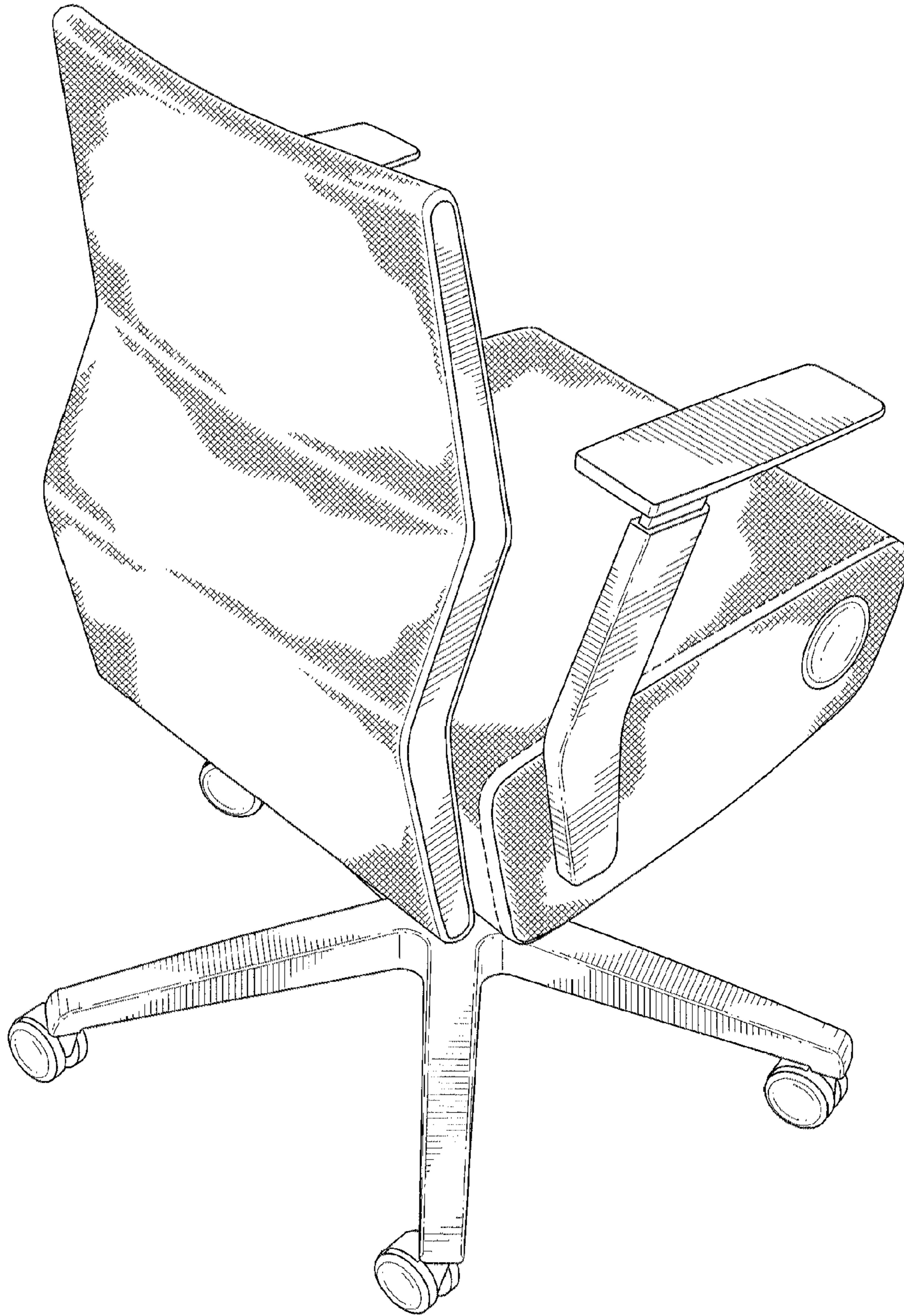


FIG. 7