

US00D660028S

(12) **United States Design Patent**
Rode

(10) **Patent No.:** **US D660,028 S**

(45) **Date of Patent:** **** May 22, 2012**

(54) **BAR STOOL**

(75) Inventor: **Daniel Rode**, Udine (IT)

(73) Assignee: **Aceray LLP**, Denver, CO (US)

(**) Term: **14 Years**

(21) Appl. No.: **29/368,515**

(22) Filed: **Aug. 25, 2010**

(51) **LOC (9) Cl.** **06-01**

(52) **U.S. Cl.** **D6/360**

(58) **Field of Classification Search** D6/334-336,
D6/360, 364, 370, 374, 376, 379, 380, 381,
D6/500-502; 297/232, 411.41, 445.1, 446.1,
297/461

See application file for complete search history.

(56) **References Cited**

U.S. PATENT DOCUMENTS

D140,583 S *	3/1945	Brunetti	D6/374
D232,879 S *	9/1974	Samhammer	D6/360
D357,592 S *	4/1995	Kellen	D6/360
D434,574 S *	12/2000	Walters-Dowding et al.	..	D6/360

D449,456 S *	10/2001	Muller	D6/360
D485,081 S *	1/2004	Bongaerts	D6/360
D586,592 S *	2/2009	Petruccelli	D6/500
D648,580 S *	11/2011	Gasser	D6/500

* cited by examiner

Primary Examiner — Mimoso De

(74) *Attorney, Agent, or Firm* — Carter, DeLuca, Farrell & Schmidt LLP

(57) **CLAIM**

The ornamental design for a bar stool, as shown and described.

DESCRIPTION

FIG. 1 is a top, front perspective view of a bar stool of the present design;

FIG. 2 is a top, plan view of the bar stool of FIG. 1;

FIG. 3 is a bottom, plan view of the bar stool of FIG. 1;

FIG. 4 is a front, elevational view of the bar stool of FIG. 1;

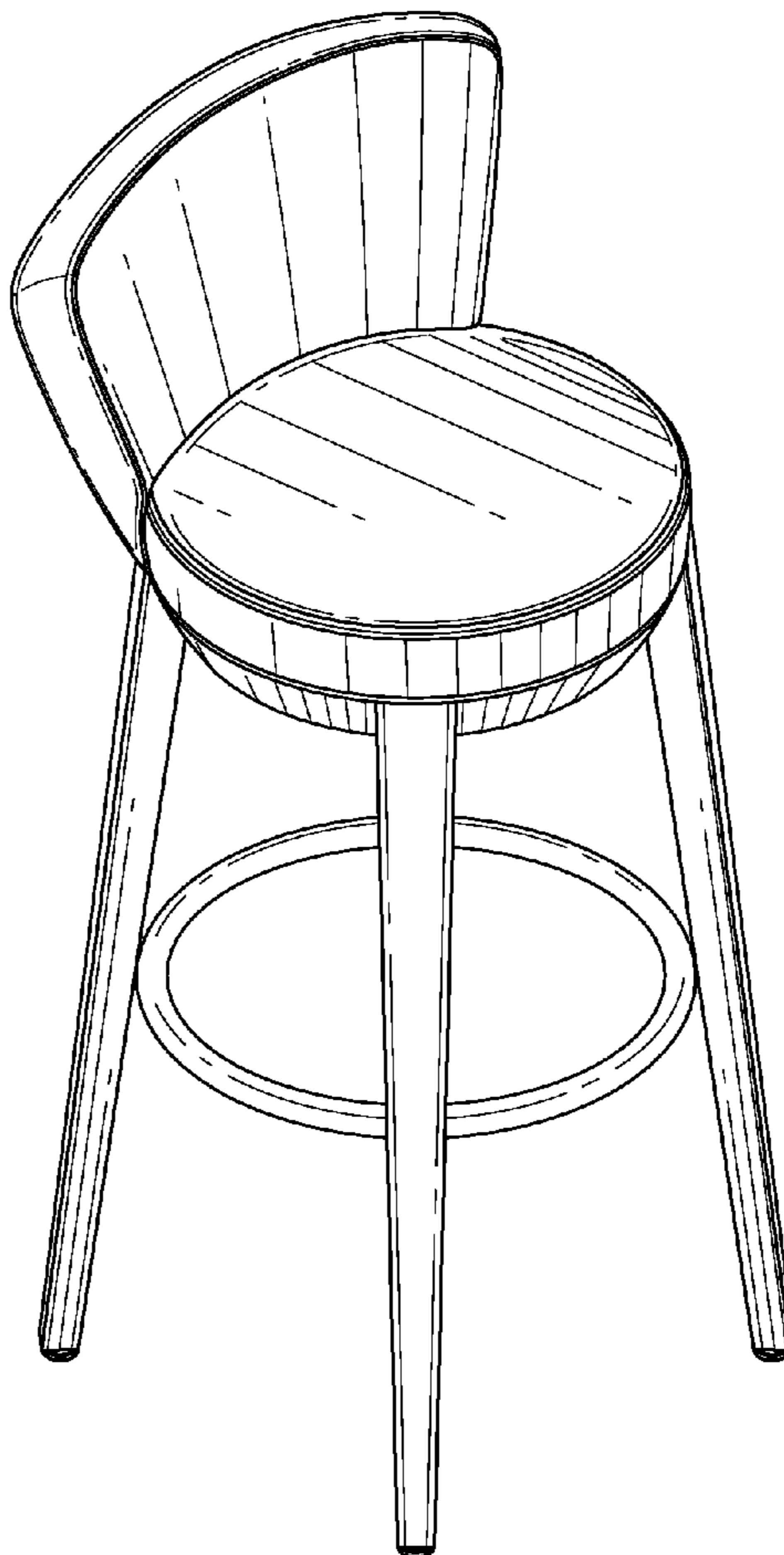
FIG. 5 is a rear, elevational view of the bar stool of FIG. 1;

FIG. 6 is a left side, elevation view of the bar stool of FIG. 1;

and,

FIG. 7 is a right side, elevation view of the bar stool of FIG. 1.

1 Claim, 2 Drawing Sheets



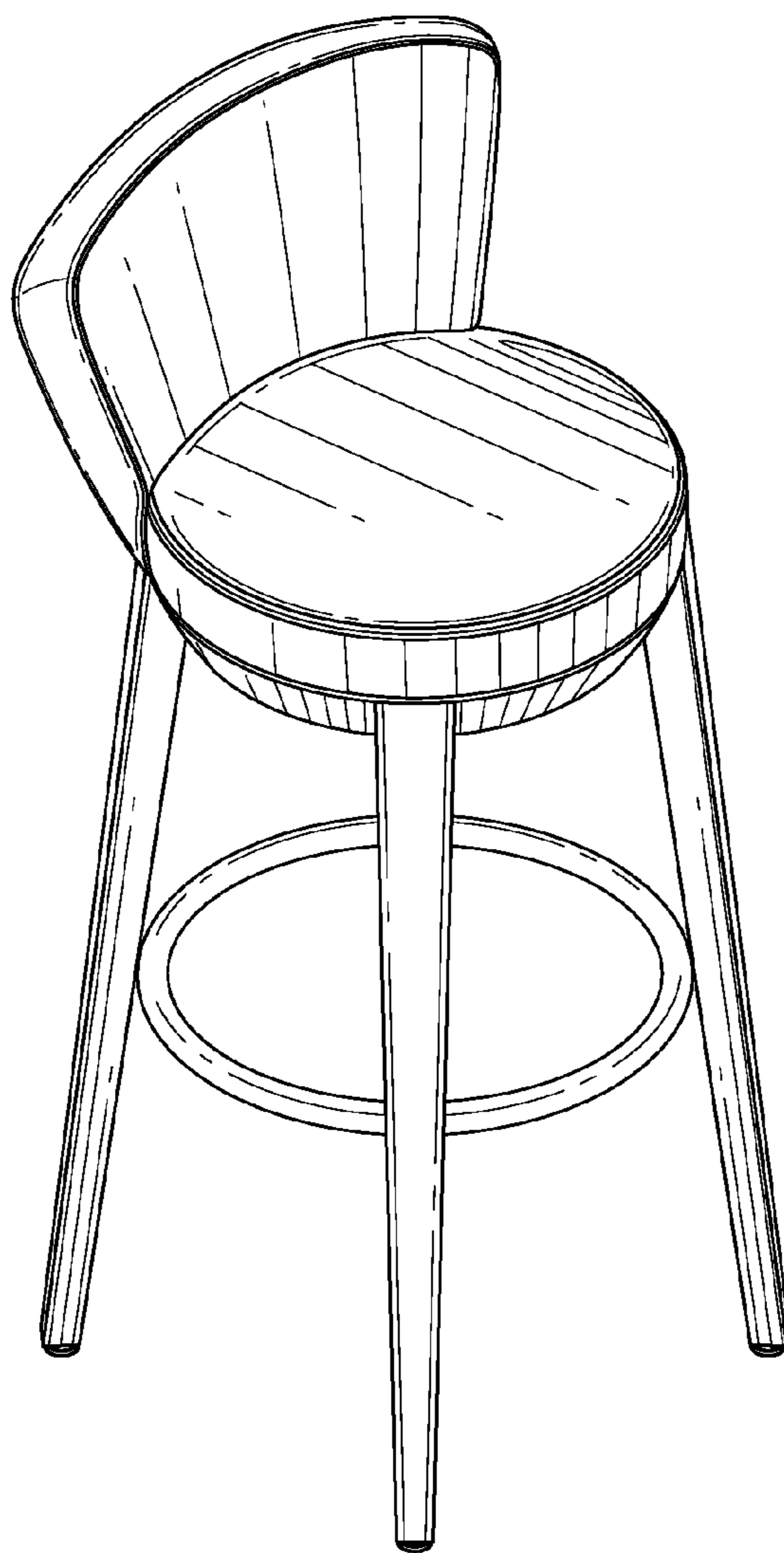


FIG. 1

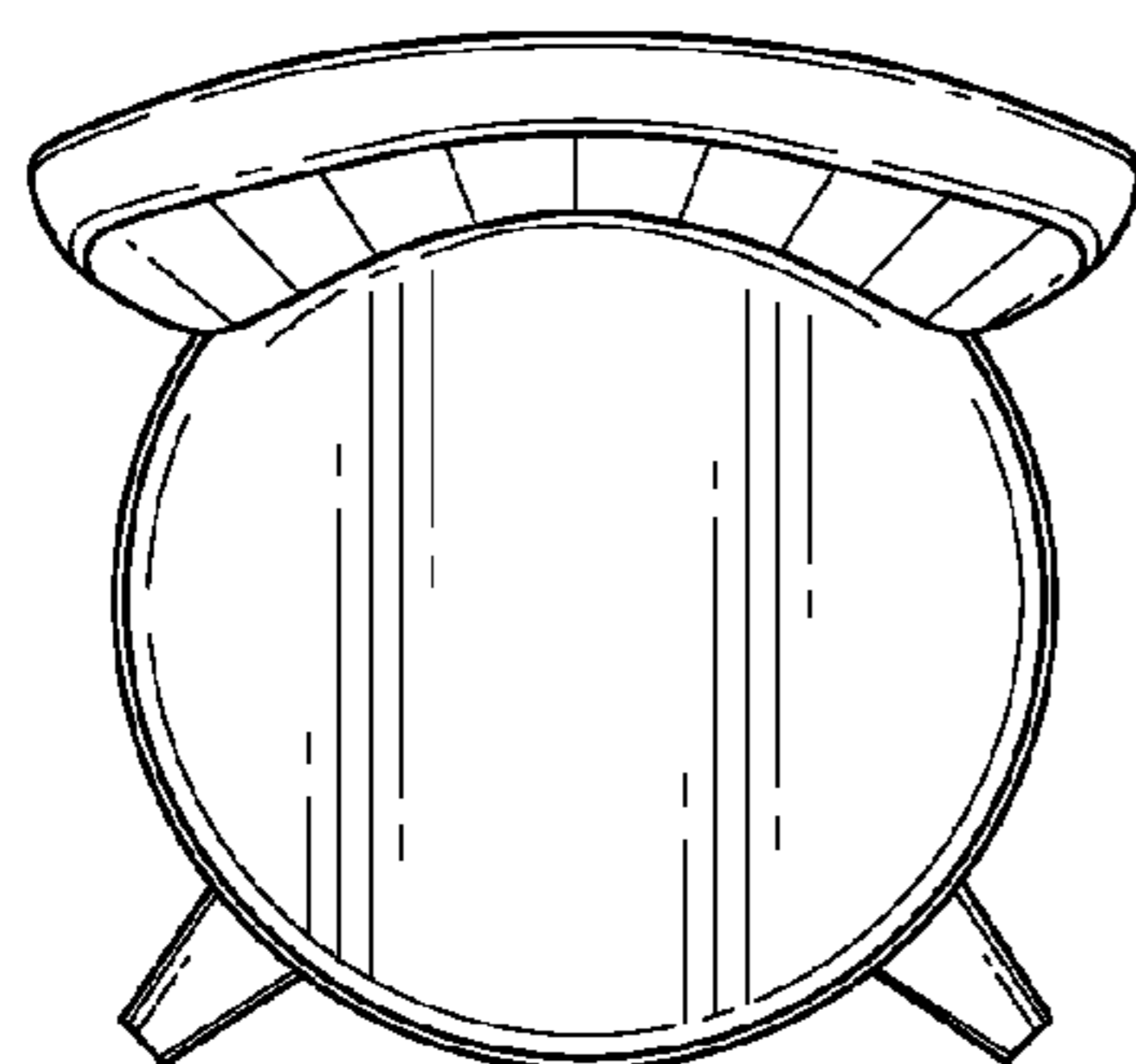


FIG. 2

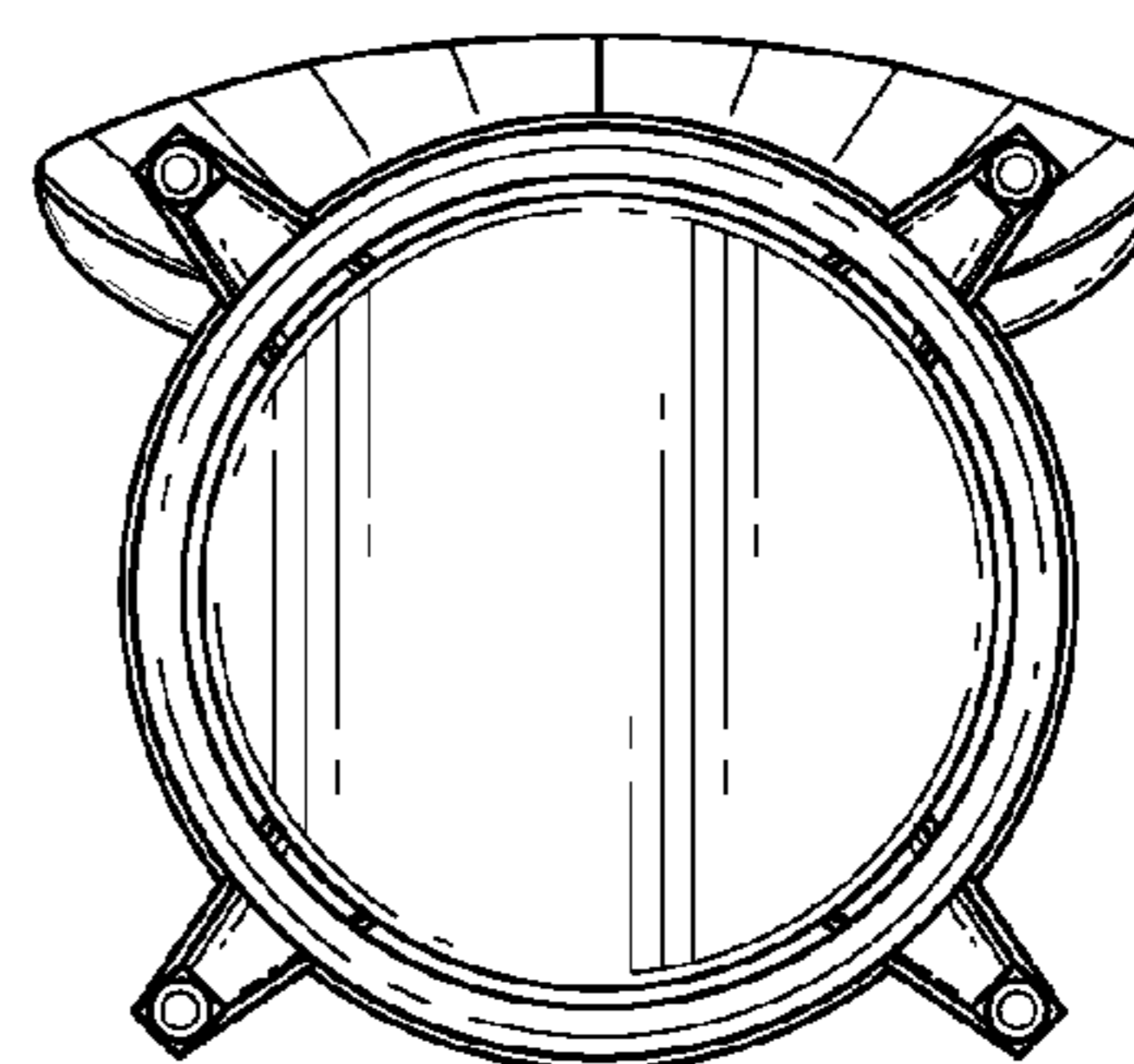


FIG. 3

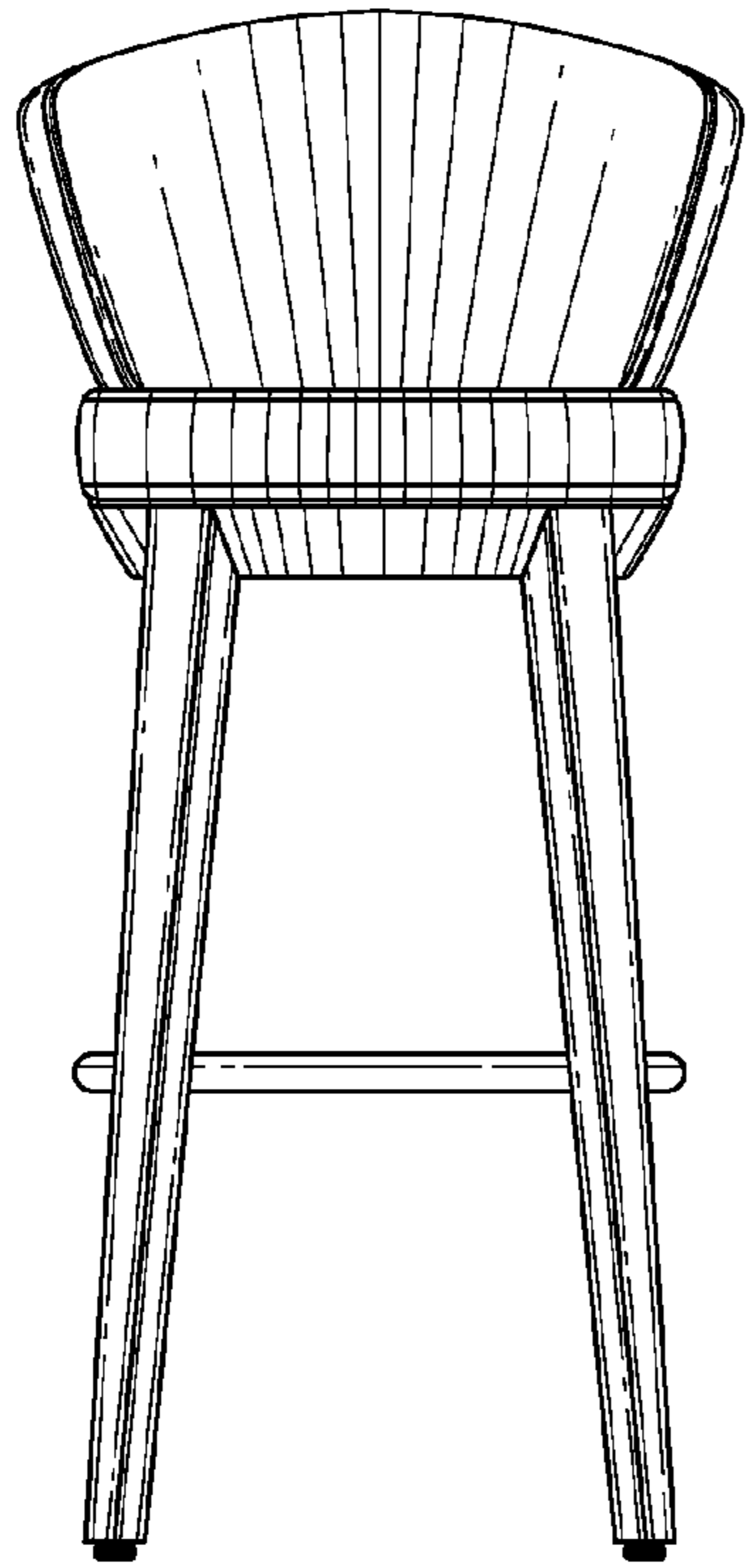


FIG. 4

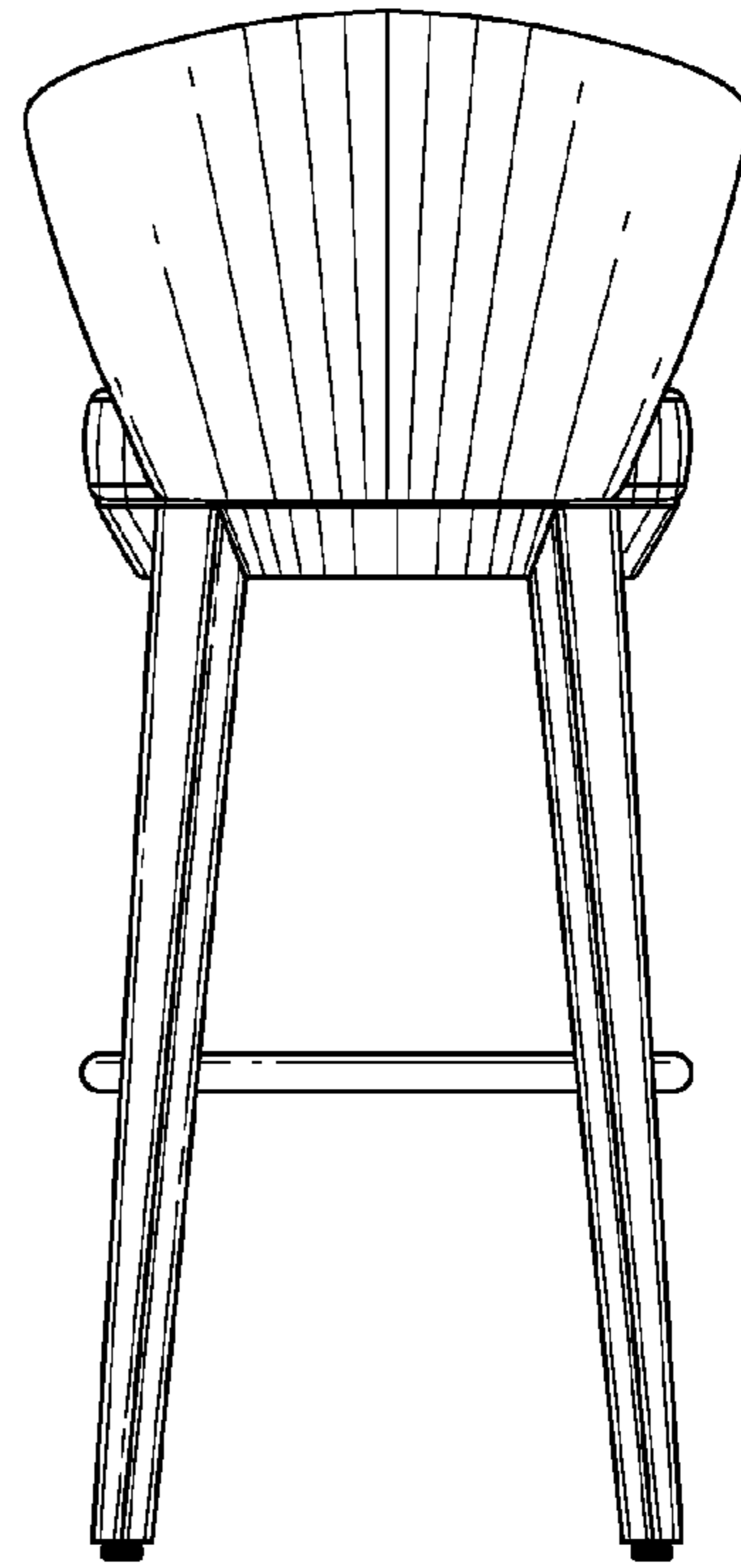


FIG. 5

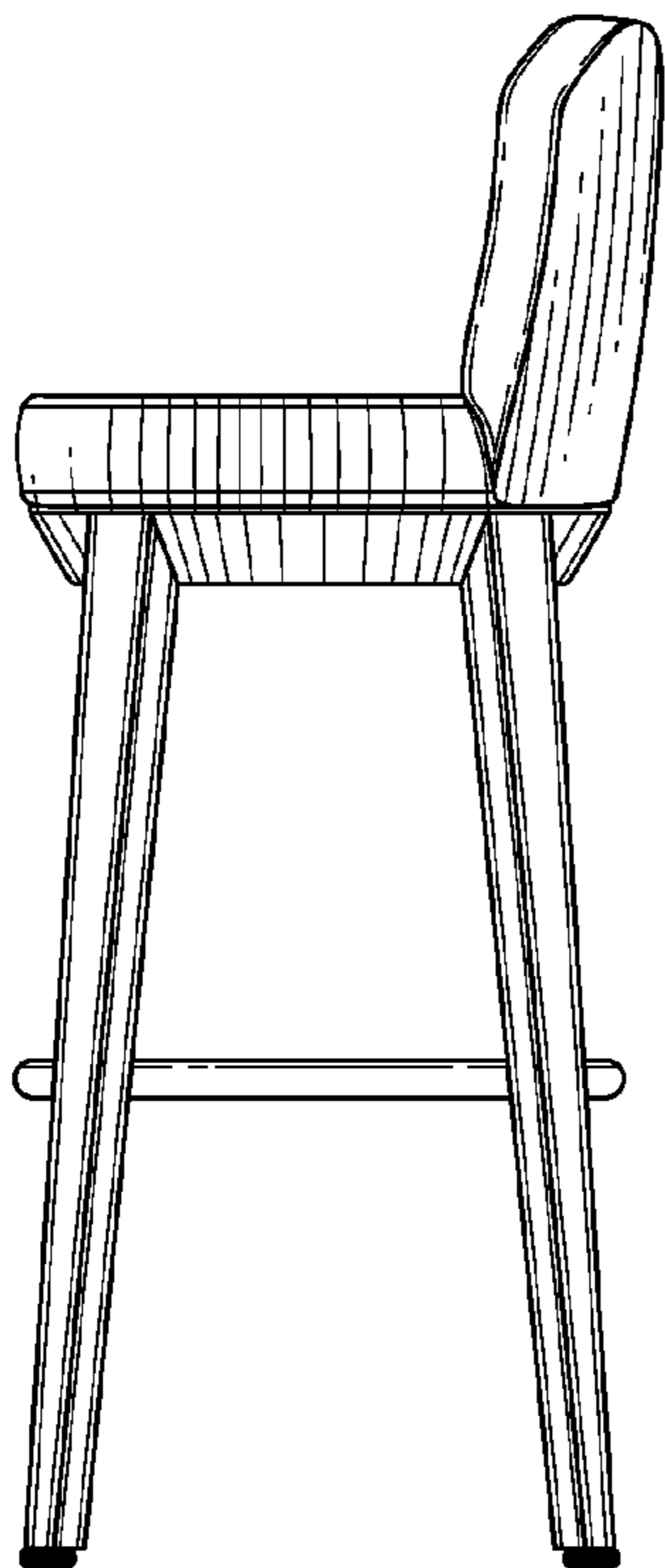


FIG. 6

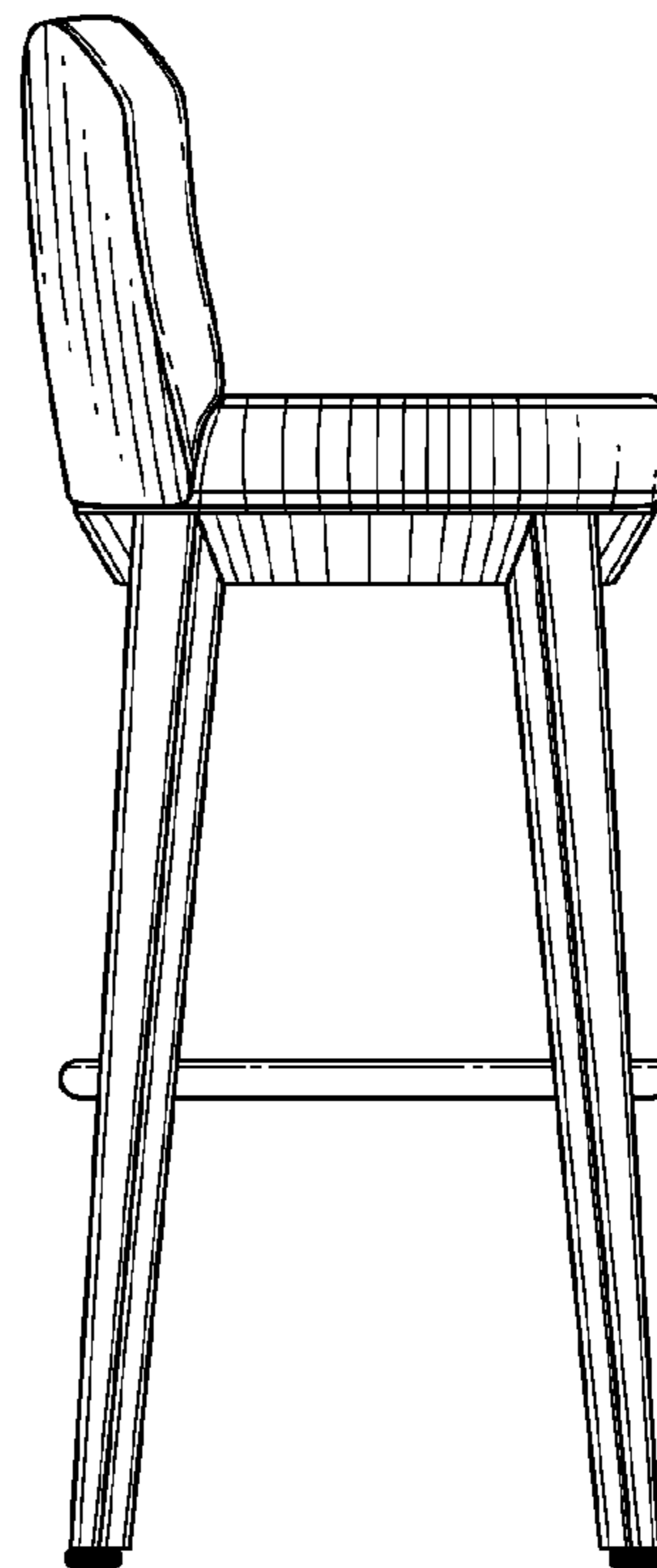


FIG. 7