

US00D660027S

(12) **United States Design Patent**
Porter et al.

(10) **Patent No.:** **US D660,027 S**
(45) **Date of Patent:** **** *May 22, 2012**

(54) **AIRCRAFT SEAT**

(75) Inventors: **Glen Wilson Porter**, Christchurch (NZ);
Victoria Anne Bamford, Auckland
(NZ); **Kerry Alan Reeves**, Auckland
(NZ); **Stuart Anthony Eric Hilton**,
Auckland (NZ)

(73) Assignee: **Air New Zealand Limited**, Auckland
(NZ)

(*) Notice: This patent is subject to a terminal dis-
claimer.

(**) Term: **14 Years**

(21) Appl. No.: **29/387,190**

(22) Filed: **Mar. 10, 2011**

(30) **Foreign Application Priority Data**

Dec. 10, 2009	(NZ)	413078
Dec. 10, 2009	(NZ)	413079
Dec. 10, 2009	(NZ)	413080
Dec. 10, 2009	(NZ)	413081
Dec. 16, 2009	(NZ)	413107
Dec. 16, 2009	(NZ)	413108

(51) **LOC (9) Cl.** **06-04**

(52) **U.S. Cl.** **D6/356**

(58) **Field of Classification Search** D6/334-336,
D6/356, 367, 377, 381, 500-502; D12/195,
D12/345; 244/118.5-188.6, 122 R; 297/232,
297/342, 354.1, 361.1

See application file for complete search history.

(56) **References Cited**

U.S. PATENT DOCUMENTS

2,414,730	A	1/1947	Flogaus	
2,947,349	A	8/1960	Kryter	
3,541,742	A	11/1970	Harper	
3,730,583	A	5/1973	Colovas et al.	
4,382,628	A	5/1983	Palmgren	
D269,652	S *	7/1983	McKean et al.	D6/356

D273,157	S *	3/1984	Staub	D6/356
4,936,620	A	6/1990	Francois et al.	
D336,379	S *	6/1993	Veneruso	D6/356
5,992,798	A	11/1999	Ferry	
D421,593	S *	3/2000	Papaioannou et al.	D12/345
6,059,364	A	5/2000	Dryburgh et al.	
6,170,786	B1	1/2001	Park et al.	
6,209,956	B1	4/2001	Dryburgh et al.	
D443,990	S *	6/2001	Berth	D6/356
6,375,119	B2	4/2002	Park et al.	
D460,279	S *	7/2002	Moburg	D6/356
D468,294	S *	1/2003	Solland	D14/216
6,742,842	B2	6/2004	Dowty	
D493,294	S *	7/2004	Newson	D6/356
6,776,457	B2 *	8/2004	Muin et al.	297/331
6,793,282	B2 *	9/2004	Plant et al.	297/248

(Continued)

FOREIGN PATENT DOCUMENTS

AU 2007201819 5/2007

(Continued)

Primary Examiner — Kelley Donnelly

(74) *Attorney, Agent, or Firm* — Dann, Dorfman, Herrell
and Skillman, P.C.

(57)

CLAIM

We claim the ornamental design for an aircraft seat, as shown
and described.

DESCRIPTION

FIG. 1 is a top plan view of a first embodiment of an aircraft
seat showing our design;

FIG. 2 is a left side view thereof;

FIG. 3 is a front view thereof;

FIG. 4 is a rear view thereof;

FIG. 5 is bottom front perspective view thereof;

FIG. 6 is a top plan view of a second embodiment of an
aircraft seat;

FIG. 7 is a right side view thereof;

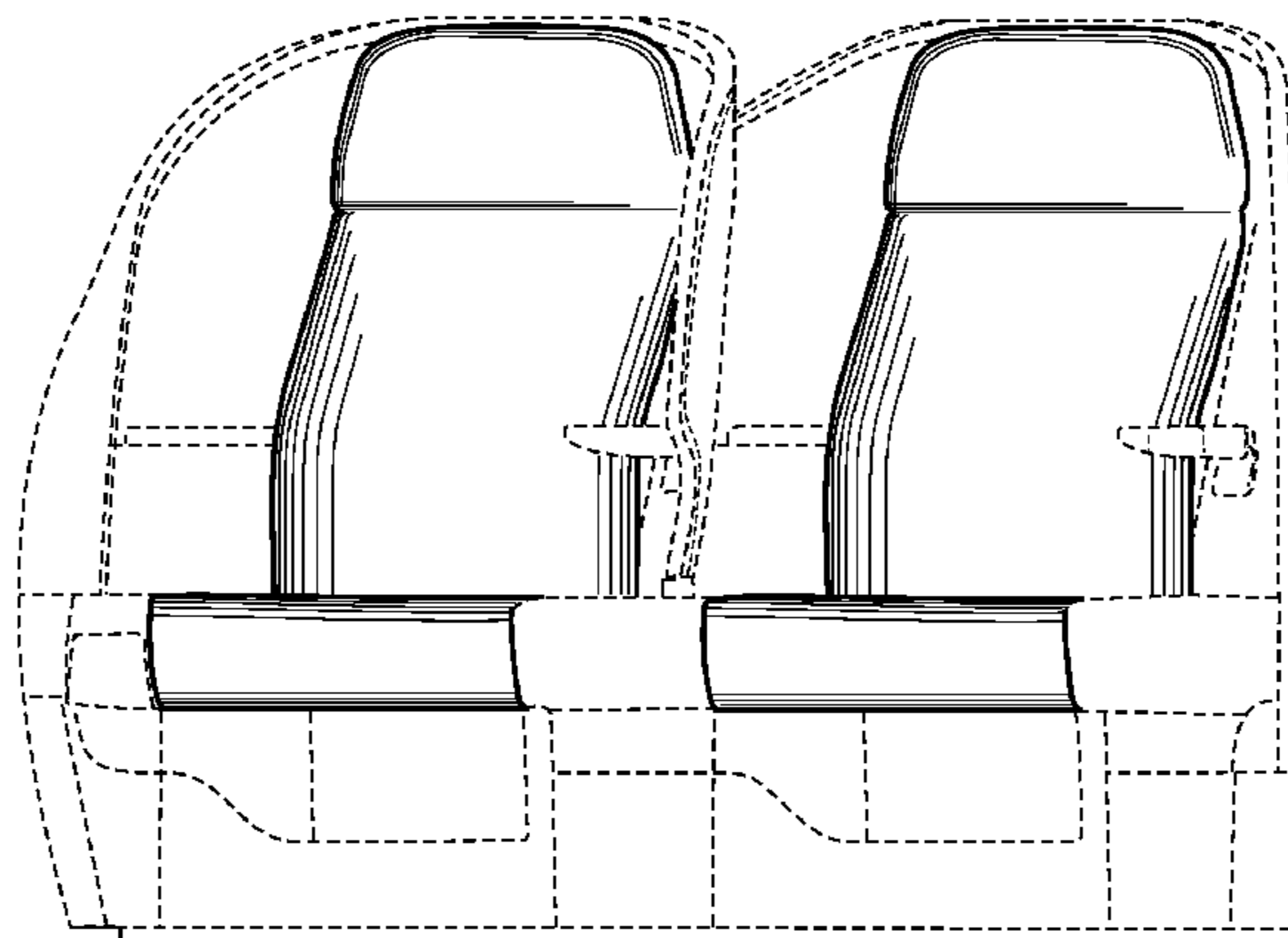
FIG. 8 is a front view thereof;

FIG. 9 is a rear view thereof; and,

FIG. 10 is a bottom front perspective view thereof.

The broken line shown in FIGS. 1-10 is included for the
purpose of illustrating environment and forms no part of the
claimed design.

1 Claim, 10 Drawing Sheets



US D660,027 S

Page 2

U.S. PATENT DOCUMENTS

7,025,306	B2	4/2006	Saint Jalmes	
D526,144	S *	8/2006	Luebke	D6/500
7,188,806	B2 *	3/2007	Beroth	244/122 R
7,201,439	B2	4/2007	Schweizer	
7,252,332	B2	8/2007	Thompson	
7,320,446	B2	1/2008	Saint-Jalmes et al.	
7,448,575	B2	11/2008	Cheung et al.	
7,469,861	B2	12/2008	Ferry et al.	
7,472,957	B2	1/2009	Ferry et al.	
7,523,888	B2	4/2009	Ferry et al.	
D592,412	S *	5/2009	Suge et al.	D6/356
7,578,470	B2	8/2009	Plant	
D605,863	S *	12/2009	Aruga et al.	D6/356
D611,260	S *	3/2010	Plant	D6/356
D611,400	S *	3/2010	Suge et al.	D12/345
D613,529	S *	4/2010	Suge et al.	D6/492
D614,879	S *	5/2010	Higashida et al.	D6/356
D615,311	S *	5/2010	Fleming	D6/356
D632,105	S *	2/2011	Aruga et al.	D6/500
2001/0003962	A1	6/2001	Park et al.	
2001/0015566	A1	8/2001	Park et al.	
2003/0094542	A1 *	5/2003	Williamson	244/122 R
2003/0184957	A1	10/2003	Stahl et al.	
2004/0232283	A1	11/2004	Ferry et al.	
2007/0034742	A1	2/2007	Jaeger et al.	
2007/0040434	A1	2/2007	Plant	
2007/0080566	A1	4/2007	Ferry et al.	
2007/0102577	A1	5/2007	Saint-Jalmes et al.	
2007/0145187	A1	6/2007	Beroth	
2007/0241232	A1	10/2007	Thompson	
2007/0246981	A1	10/2007	Plant	
2007/0295863	A1	12/2007	Thompson	

2008/0042010	A1	2/2008	Watanabe
2009/0050740	A1	2/2009	Saint-Jalmes et al.
2009/0084897	A1	4/2009	Ferry et al.
2009/0243352	A1	10/2009	Cailleteau
2010/0065684	A1	3/2010	Ruiter et al.

FOREIGN PATENT DOCUMENTS

CA	2625280	2/2003
DE	3436509	4/1986
DE	102006056898	5/2008
DE	102006056898	6/2008
EP	0346299	12/1989
EP	0869060	10/1998
EP	0982226	1/2000
EP	0980825	2/2000
EP	0980826	2/2000
EP	1116654	7/2001
EP	1417113	11/2005
EP	1495908	5/2007
GB	2288728	11/1995
GB	2326824	1/1999
GB	2362095	11/2001
GB	2405791	3/2005
GB	2437164	10/2007
GB	2438162	11/2007
WO	0002745	1/2000
WO	03013903	2/2003
WO	2008046027	4/2008
WO	2008072328	6/2008
WO	2009064519	5/2009
WO	2009073244	6/2009
WO	2009101294	8/2009

* cited by examiner

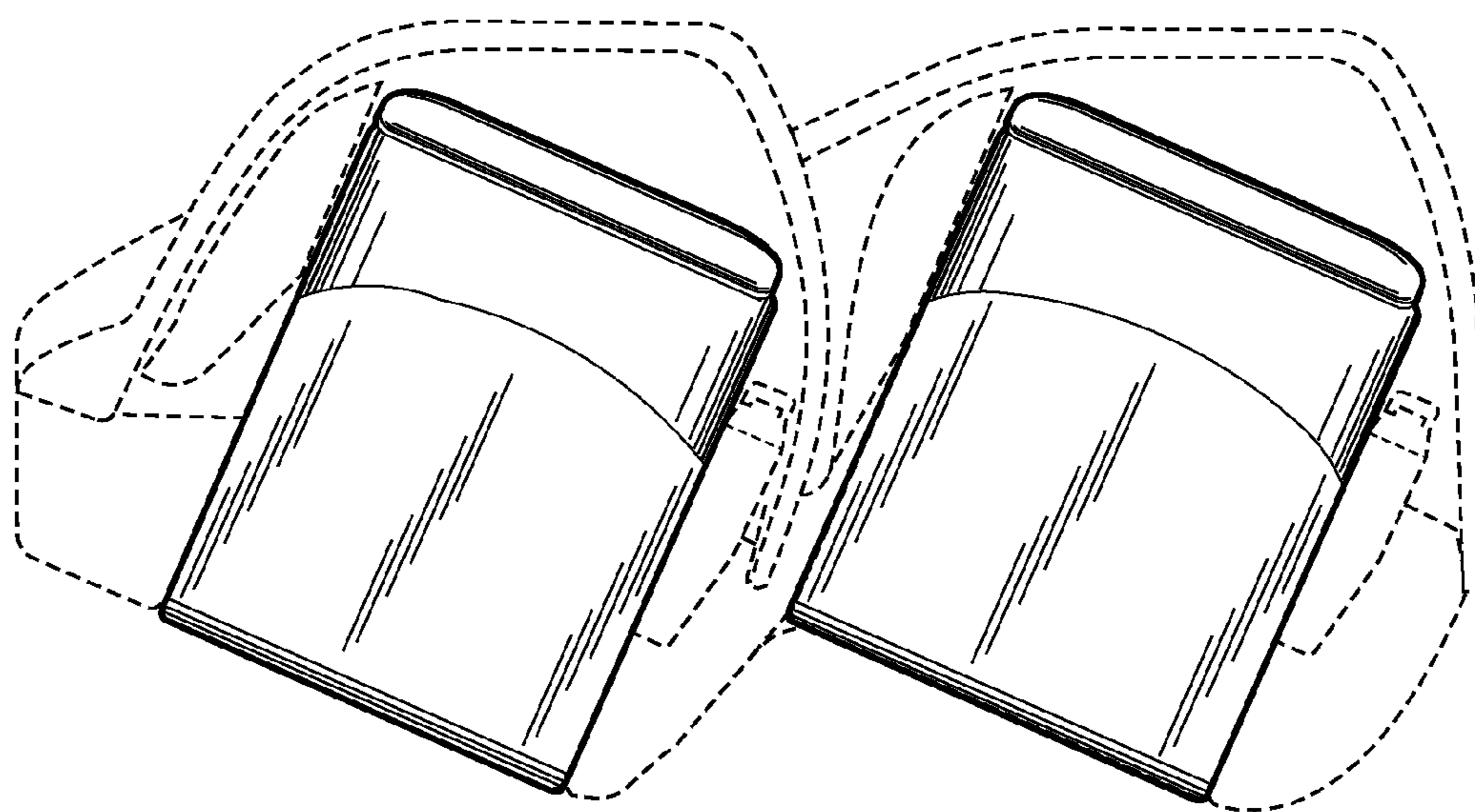


FIG. 1

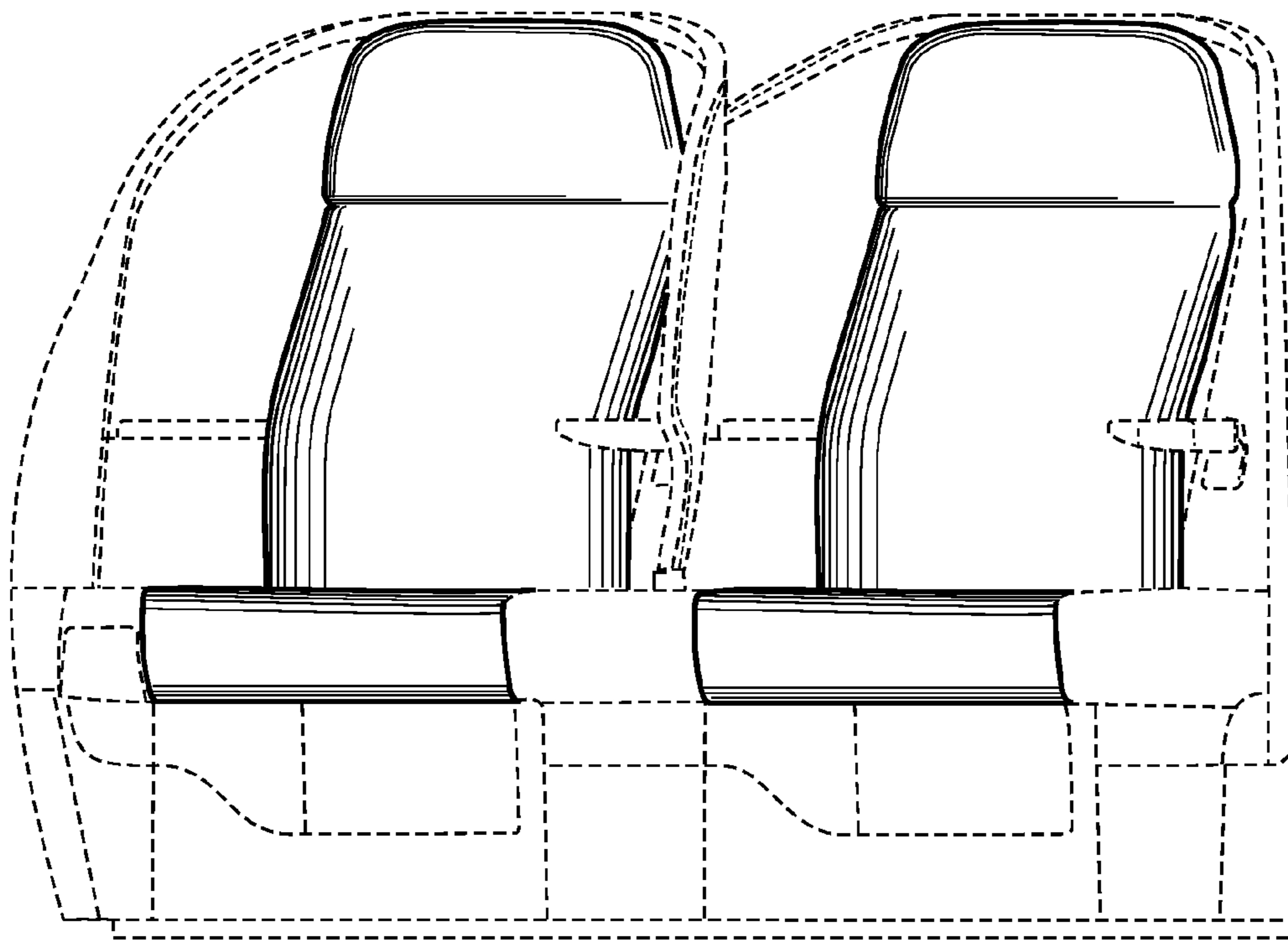


FIG. 3

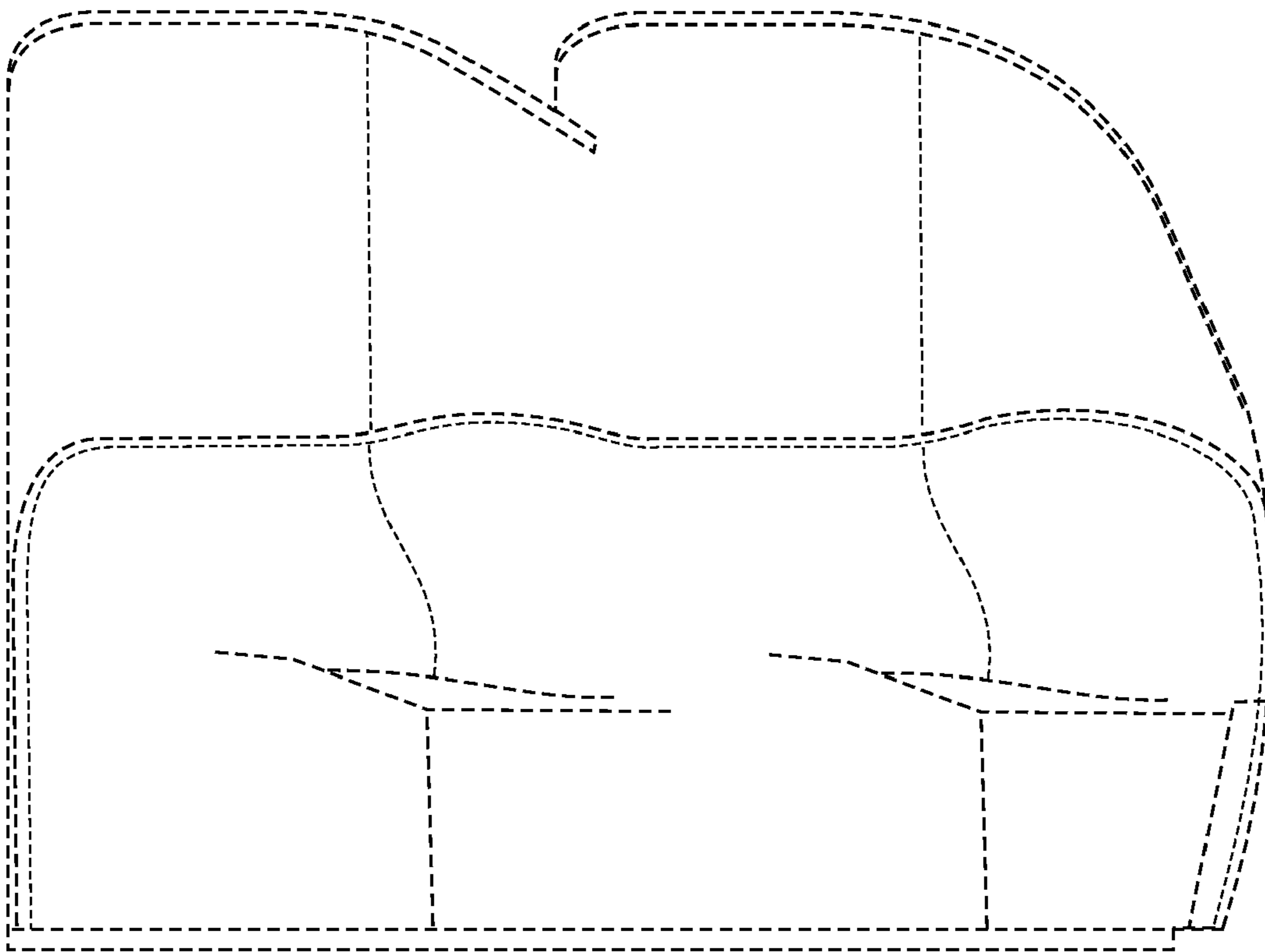


FIG. 4

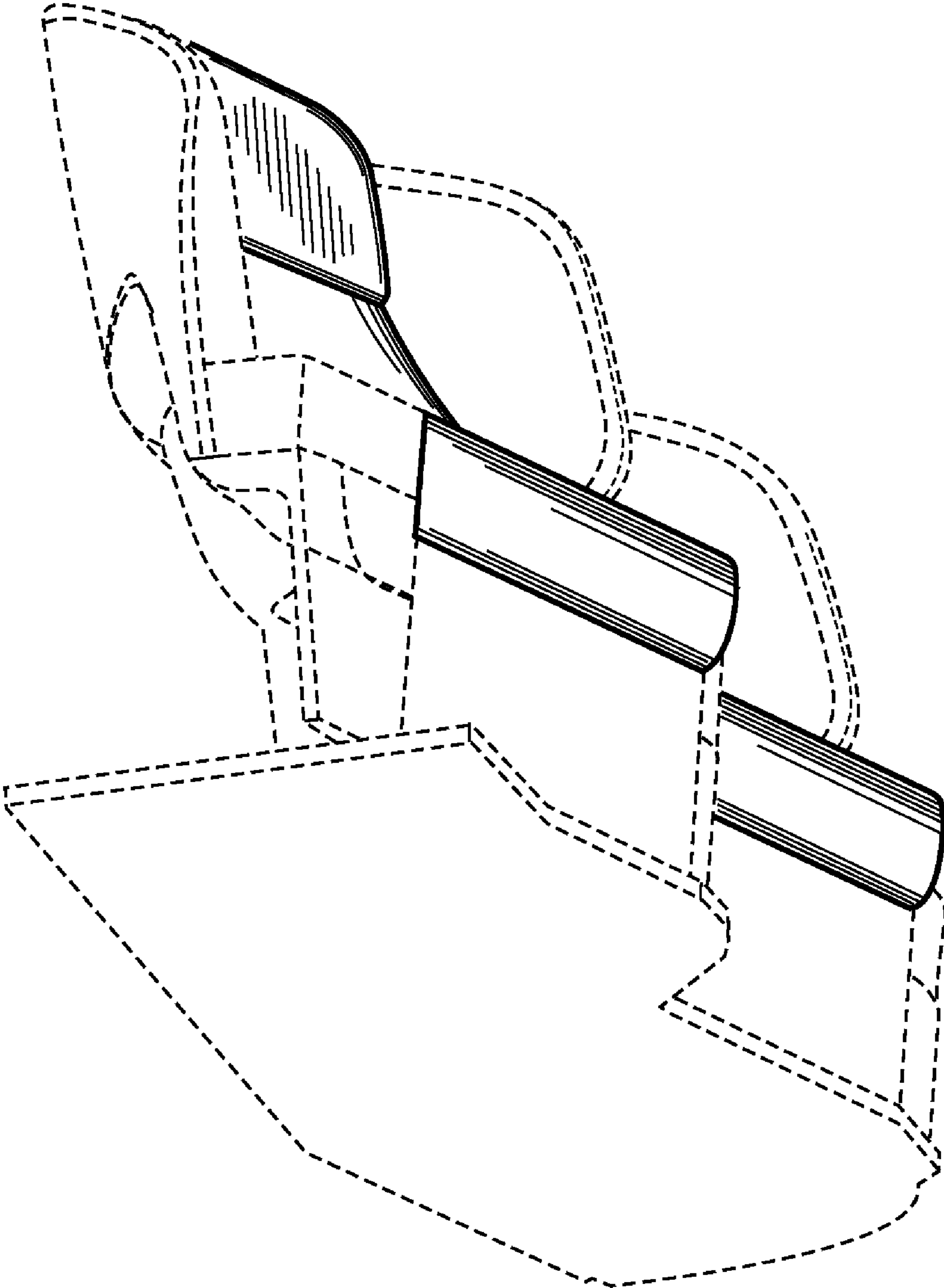


FIG. 5

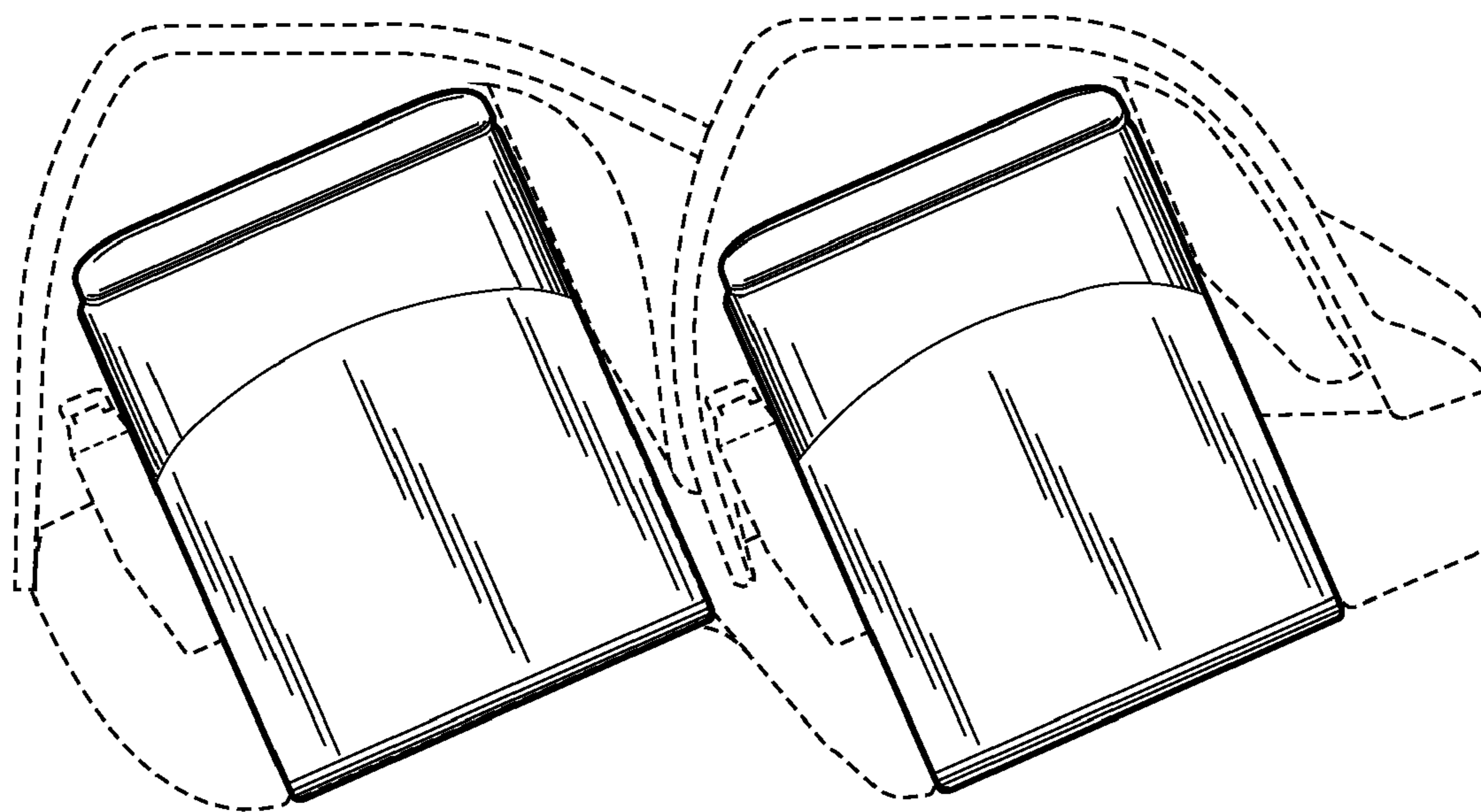


FIG. 6

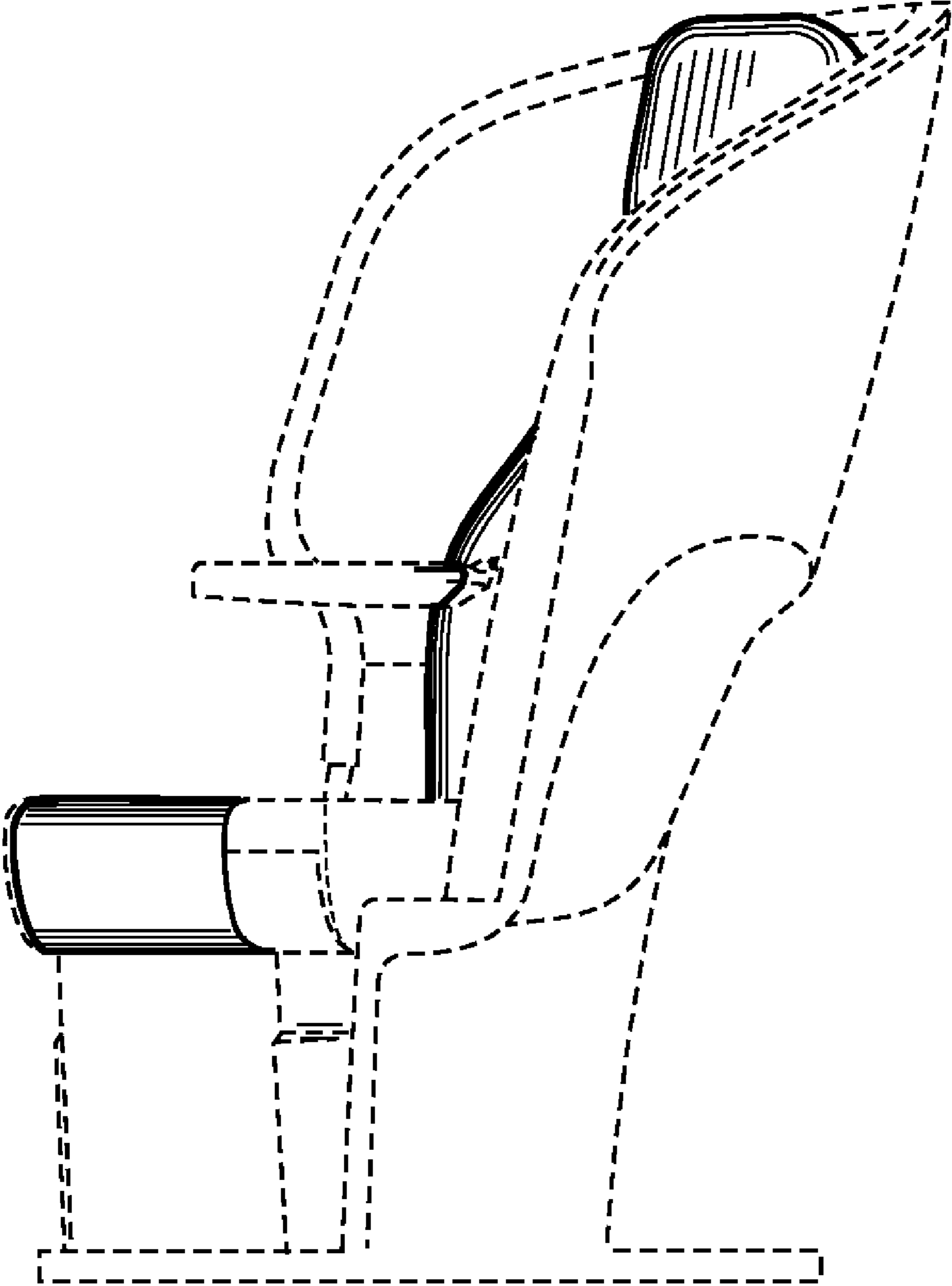


FIG. 7

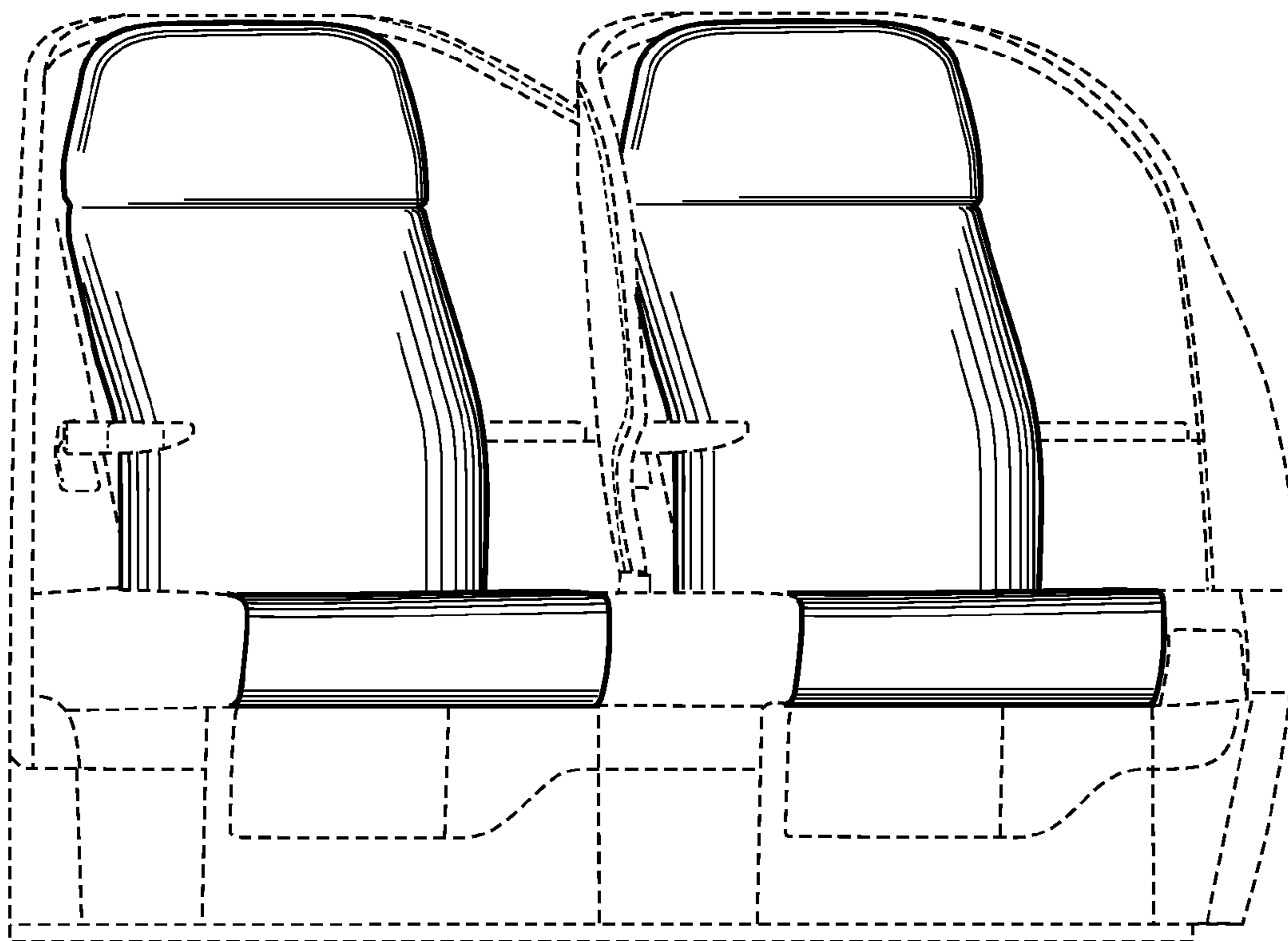


FIG. 8

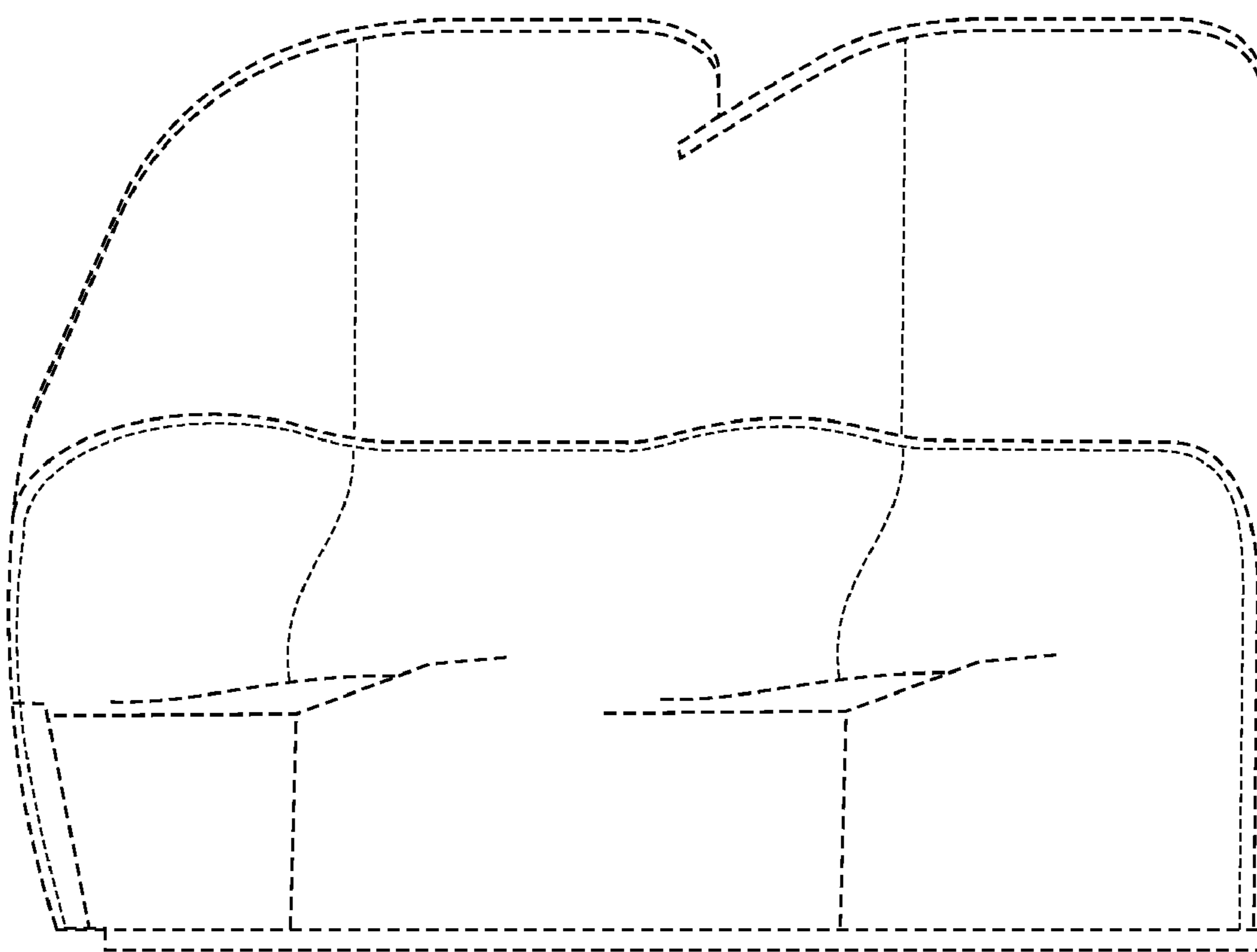


FIG. 9

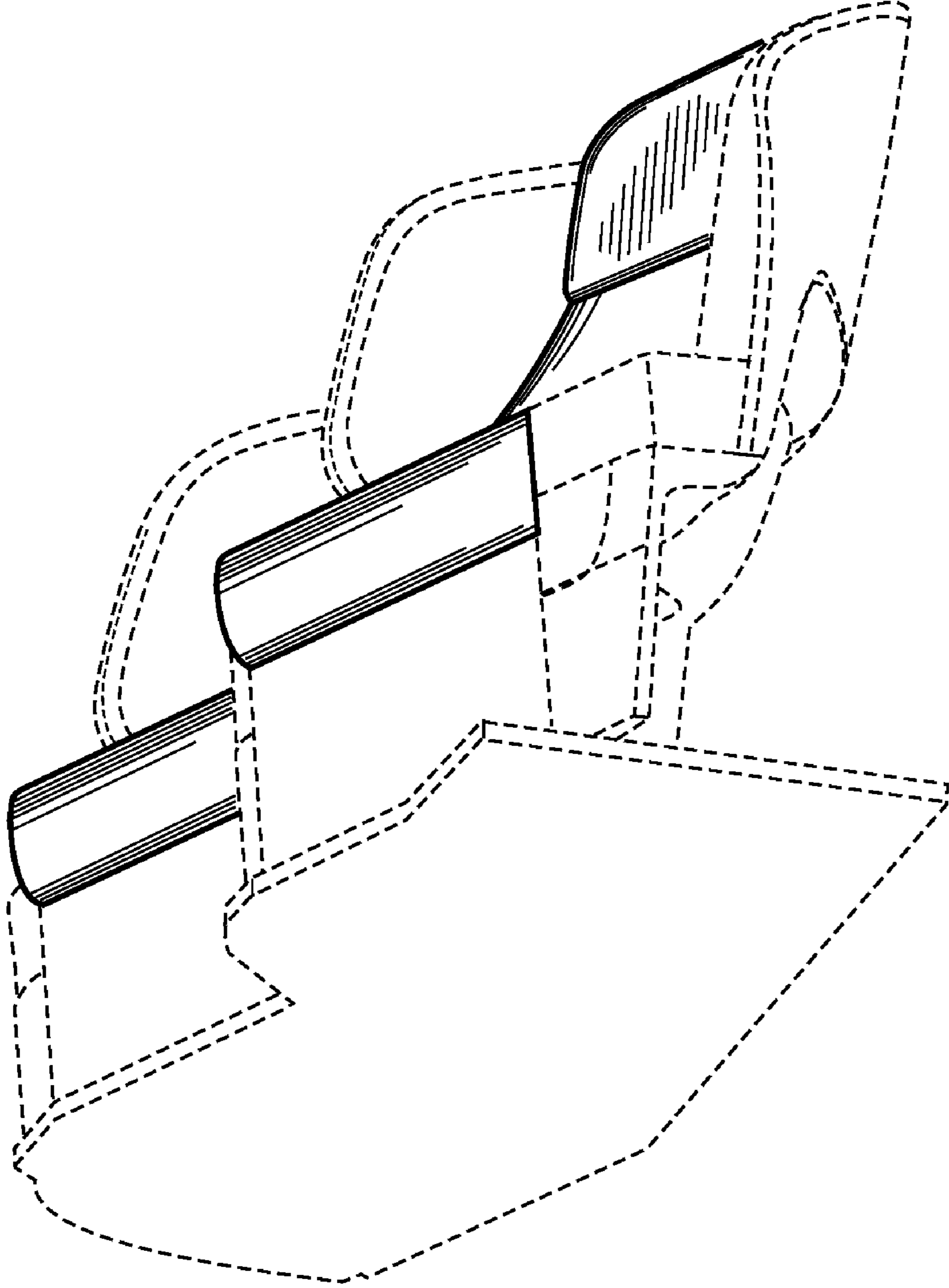


FIG. 10