



US00D660025S

(12) **United States Design Patent**
Rivera, Jr. et al.

(10) **Patent No.:** **US D660,025 S**
(45) **Date of Patent:** **** May 22, 2012**

- (54) **MOBILE CONVERTIBLE BENCH**
- (75) Inventors: **Jeremias C. Rivera, Jr.**, Elmhurst, IL (US); **Doss Samikkannu**, Des Plaines, IL (US); **Gregory Hanusiak**, Chicago, IL (US); **Zelio Ferrarini**, Oswego, IL (US)
- (73) Assignee: **AmTab Manufacturing Corporation**, Aurora, IL (US)
- (**) Term: **14 Years**
- (21) Appl. No.: **29/373,506**
- (22) Filed: **Apr. 15, 2011**
- (51) **LOC (9) Cl.** **06-01**
- (52) **U.S. Cl.** **D6/338**
- (58) **Field of Classification Search** D6/335, D6/336, 337, 338, 339, 349, 350, 351, 352, D6/353, 357; 291/118, 119, 134, 135, 158.2, 291/158.3, 158.5, 170, 174 R; 5/12.1, 12.2
See application file for complete search history.

(56) **References Cited**

U.S. PATENT DOCUMENTS

1,757,960	A *	5/1930	Greenstreet	297/124
2,882,957	A *	4/1959	Anderson	297/124
3,061,369	A *	10/1962	Haunost	297/124
D246,683	S *	12/1977	Cagle	D6/338
D248,903	S *	8/1978	O'Connor	D6/338
4,211,449	A *	7/1980	Richardson et al.	297/126
4,801,175	A *	1/1989	Albanese	297/124
4,913,488	A *	4/1990	Donnell, Jr.	297/124
D354,173	S *	1/1995	Escobal et al.	D6/335
D368,171	S *	3/1996	Snell	D6/336
D435,736	S *	1/2001	Chrisco et al.	D6/336

D439,422	S *	3/2001	Hecht et al.	D6/336
D470,666	S *	2/2003	Peloquin	D6/336
2011/0057483	A1	3/2011	Dickey et al.	

* cited by examiner

Primary Examiner — Sandra Snapp
(74) *Attorney, Agent, or Firm* — Ryndak & Suri

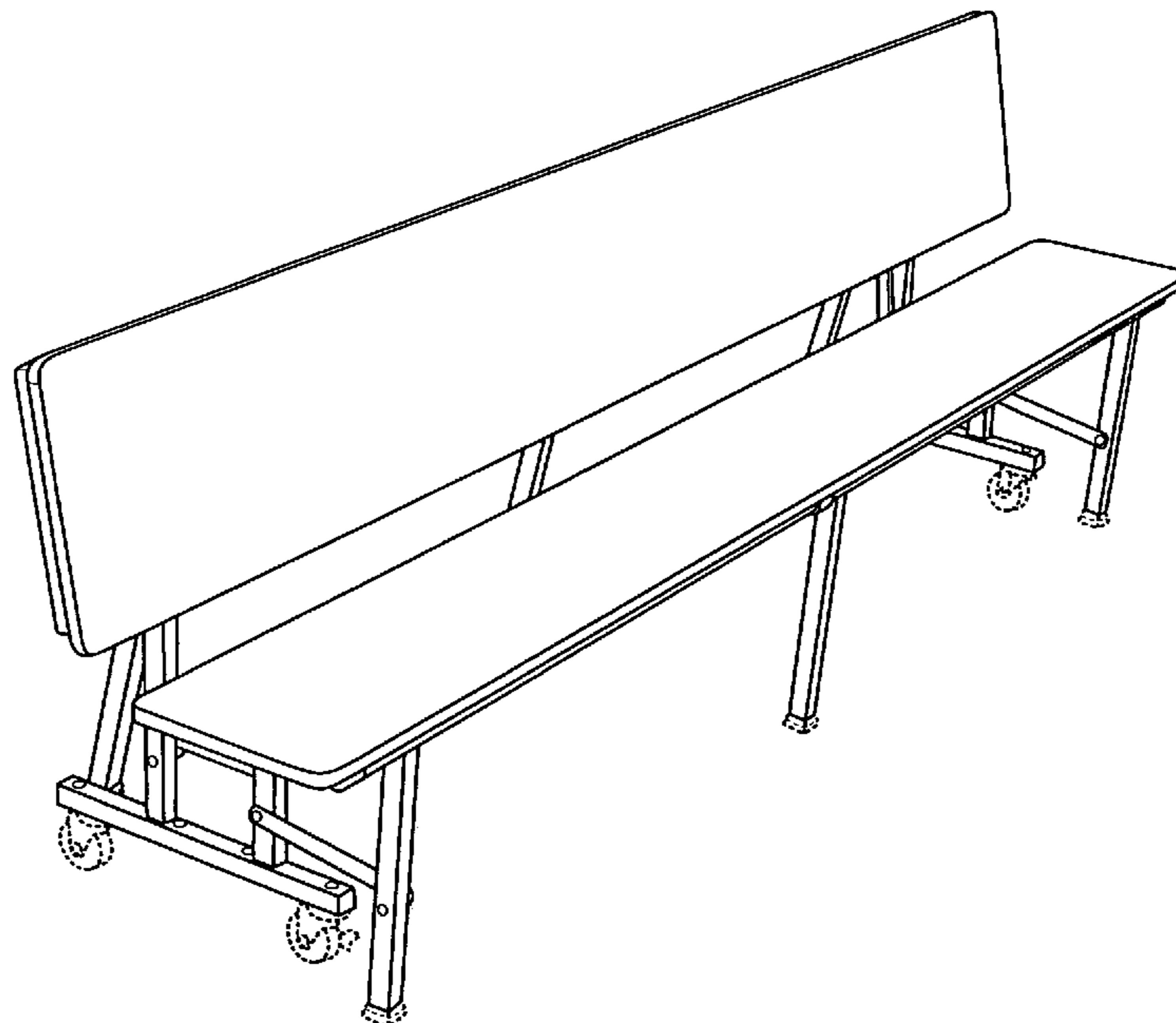
(57) **CLAIM**

The ornamental design for a mobile convertible bench, as shown and described.

DESCRIPTION

FIG. 1 is a front perspective view of a mobile convertible bench in a table configuration depicting the new design; FIG. 2 is a front elevation view of the mobile convertible bench depicted in FIG. 1; FIG. 3 is a rear elevation view of the mobile convertible bench depicted in FIG. 1; FIG. 4 is a top plan view of the mobile convertible bench depicted in FIG. 1; FIG. 5 is a bottom plan view of the mobile convertible bench depicted in FIG. 1; FIG. 6 is a left side elevation view of the mobile convertible bench depicted in FIG. 1; FIG. 7 is a right side elevation view of the mobile convertible bench depicted in FIG. 1; FIG. 8 is a left side elevation view of the mobile convertible bench depicted in FIG. 1, in a bench configuration. FIG. 9 is a left side elevation view of the mobile convertible bench depicted in FIG. 1, in a storage configuration. FIG. 10 is a rear perspective view of the mobile convertible bench depicted in FIG. 1, in a bench configuration; and, FIG. 11 is a front perspective view of the mobile convertible bench depicted in FIG. 1, in a bench configuration. Any broken lines showing in the drawings are for illustrative purposes only and form no part of the claimed design.

1 Claim, 5 Drawing Sheets



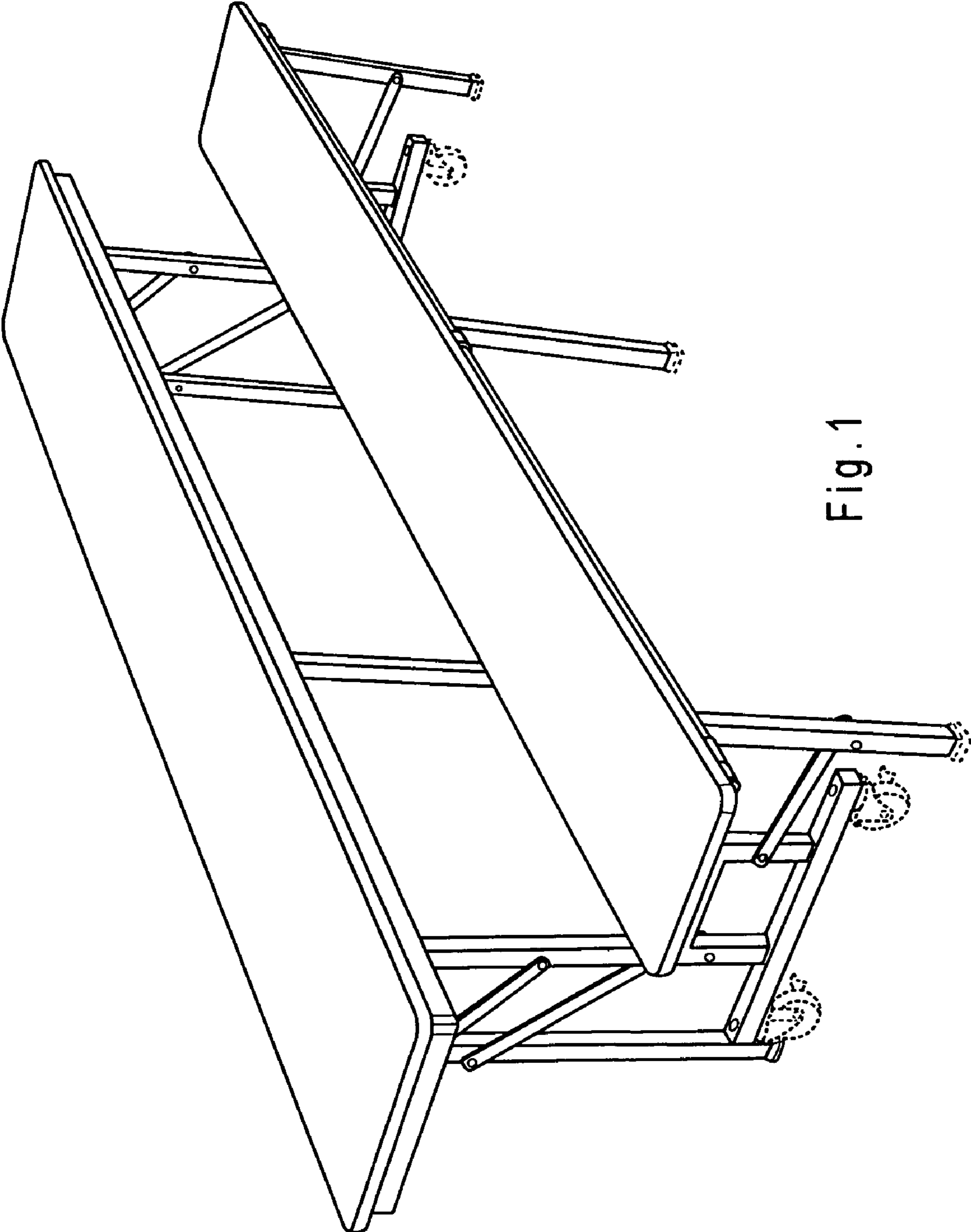


Fig. 1

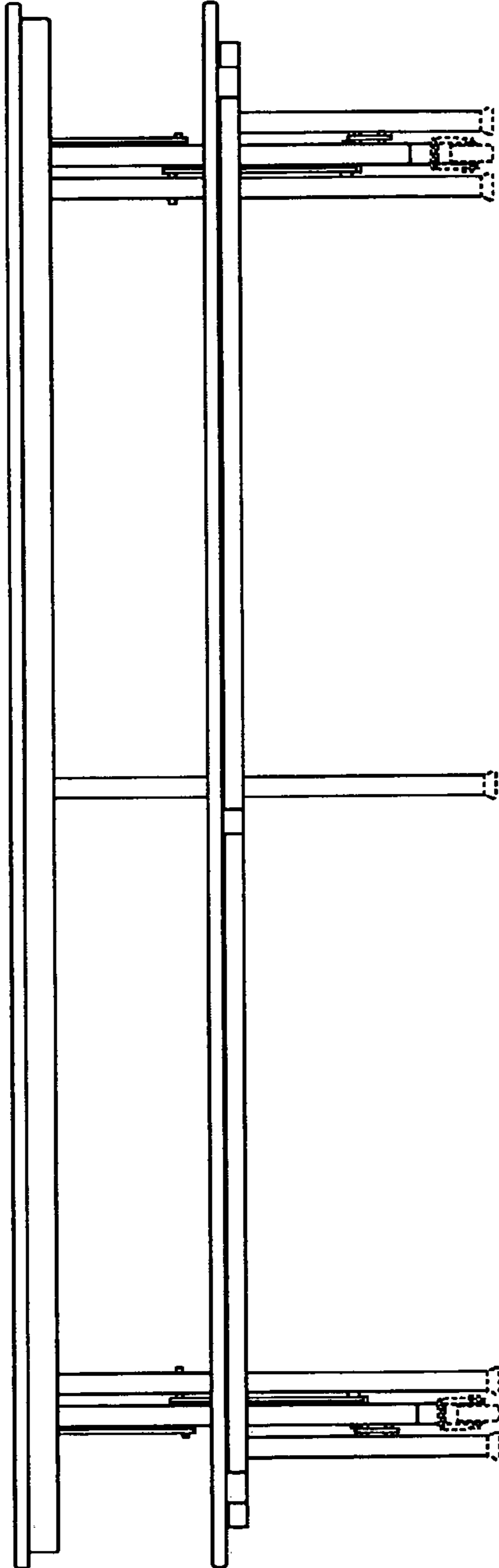


Fig. 2

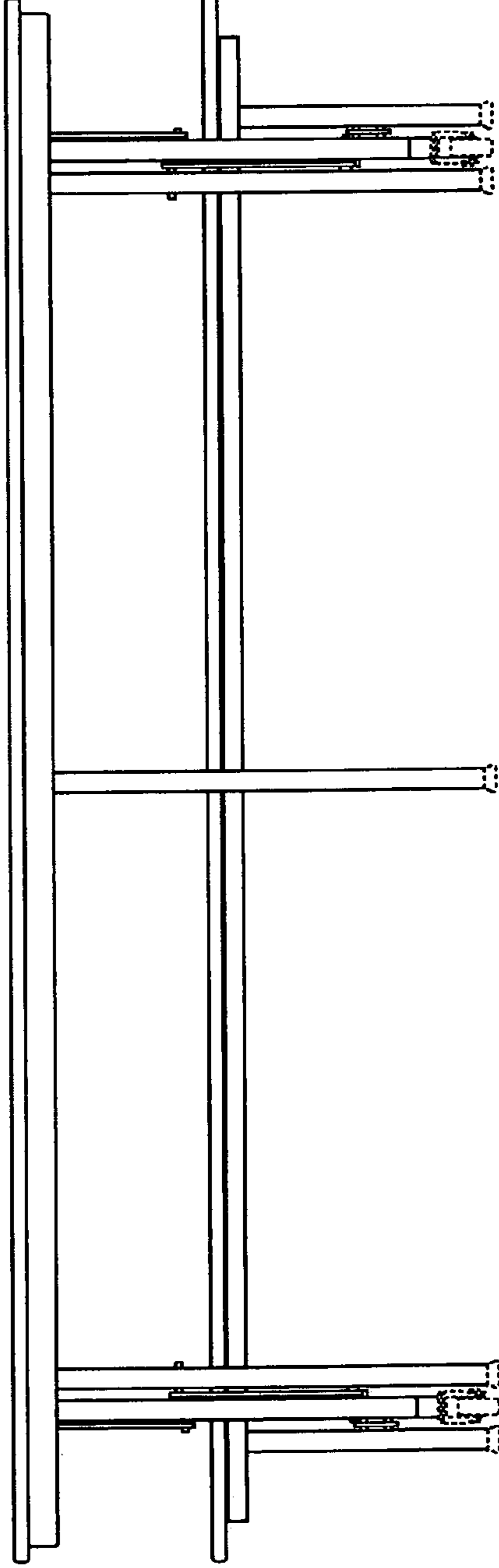


Fig. 3

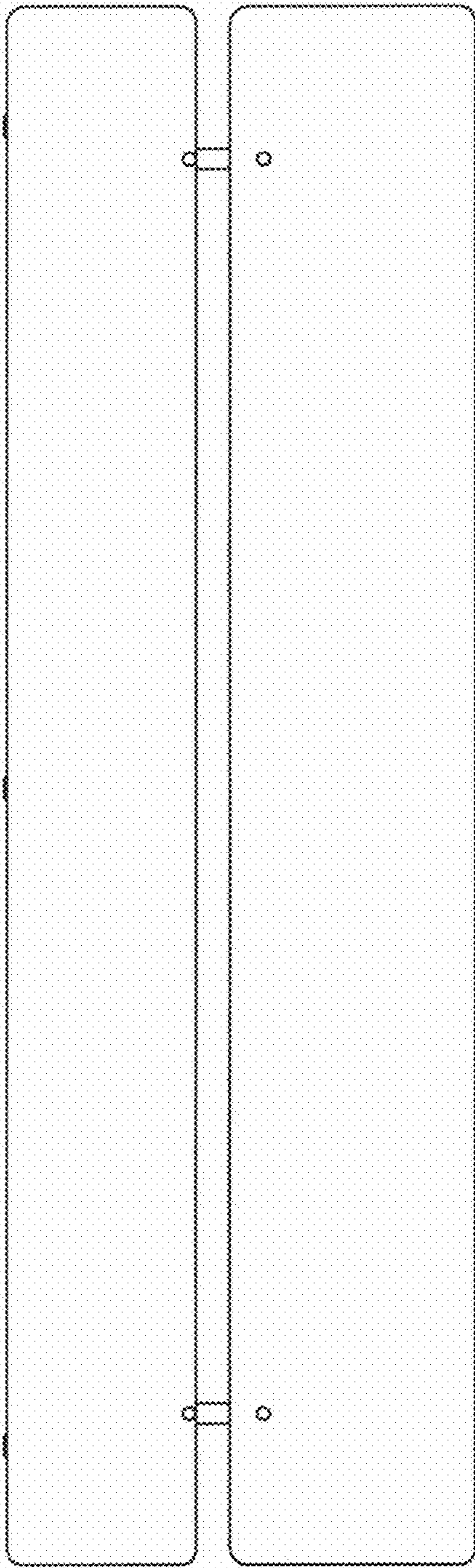


Fig. 4

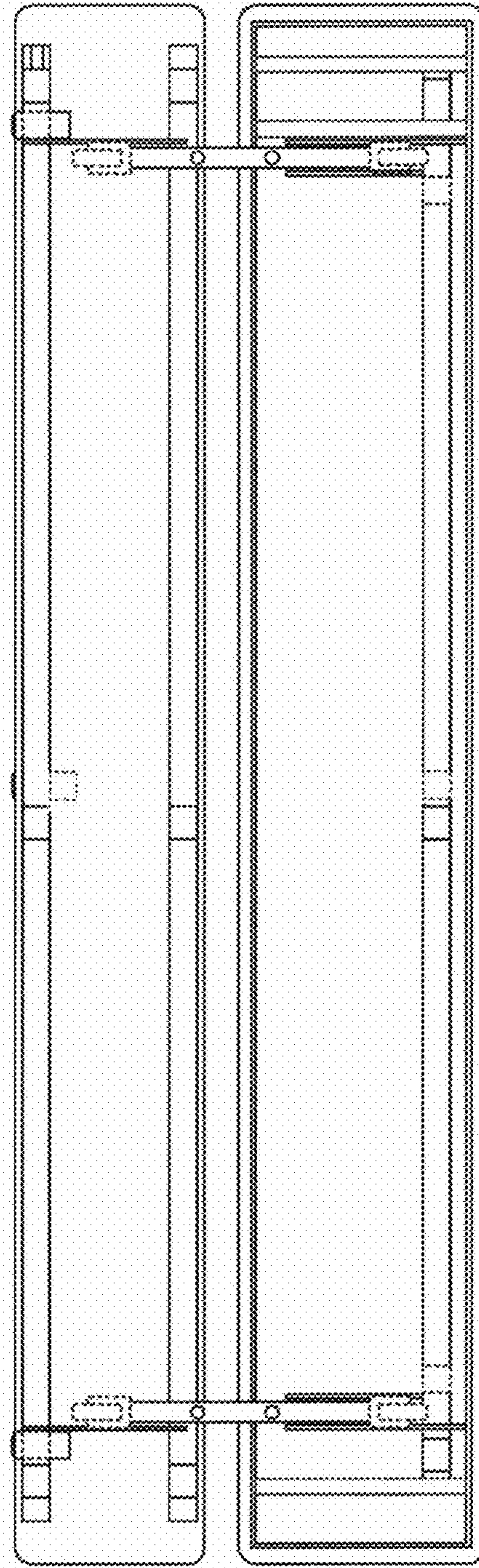


Fig. 5

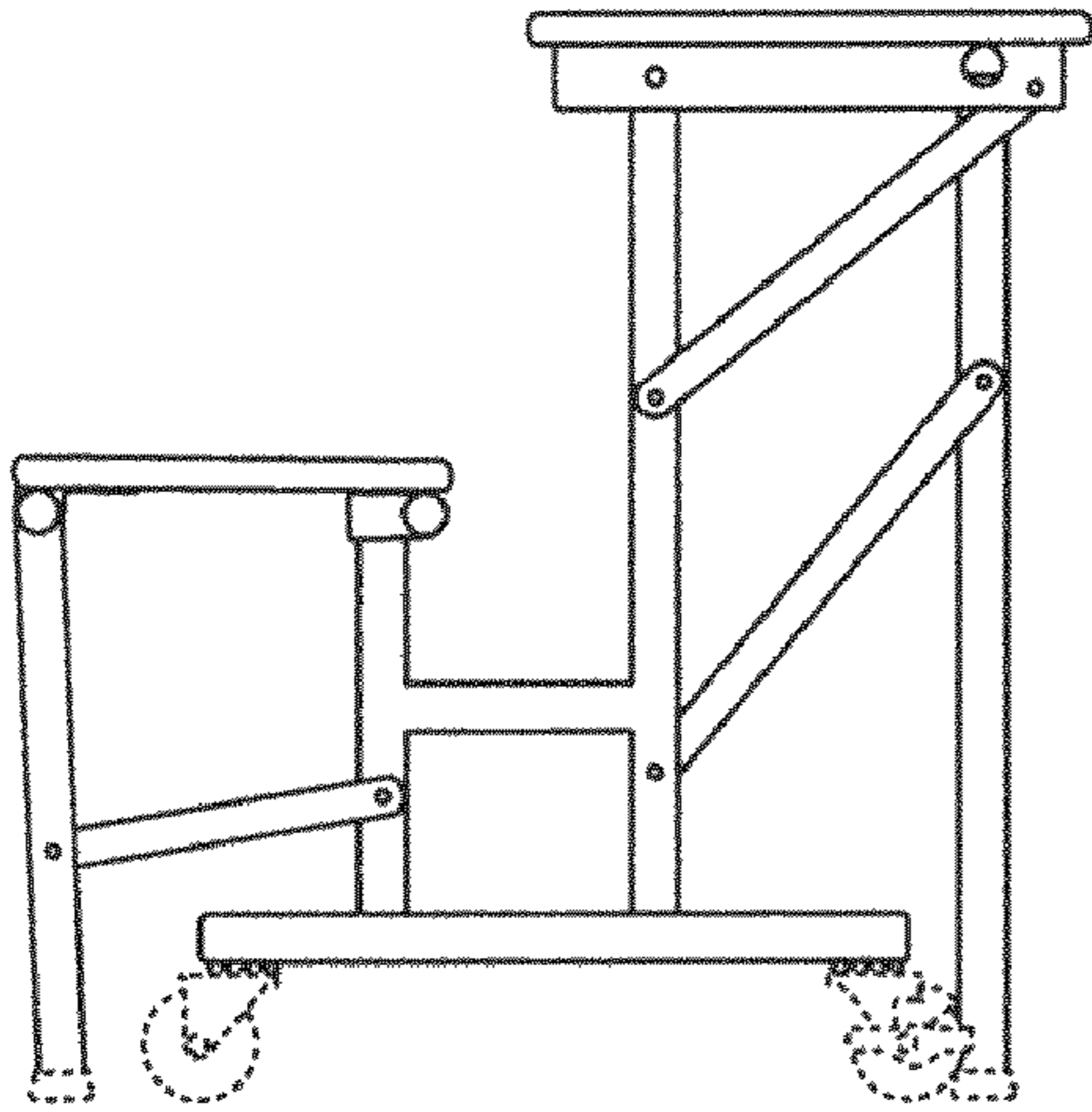


Fig. 6

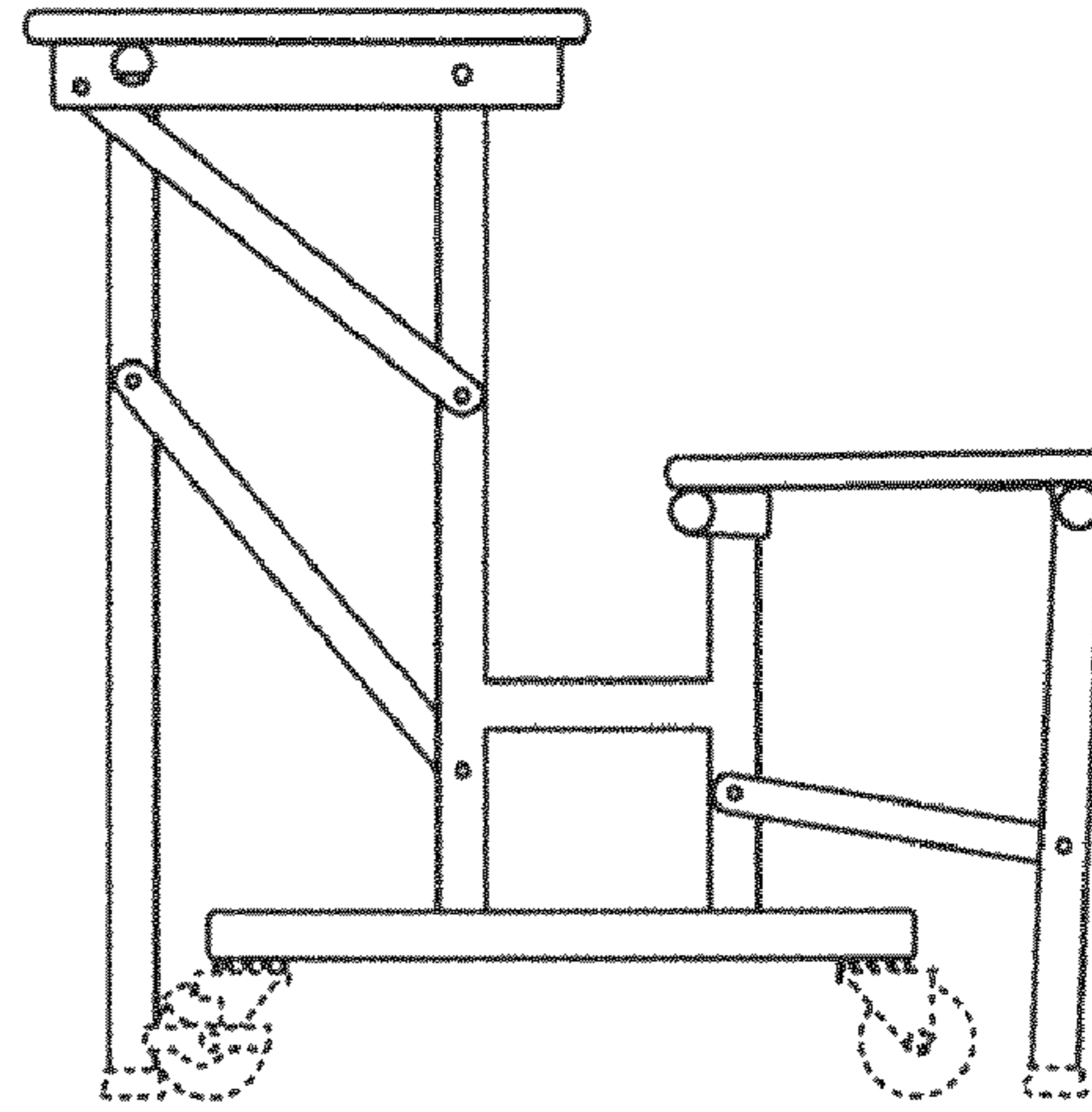


Fig. 7

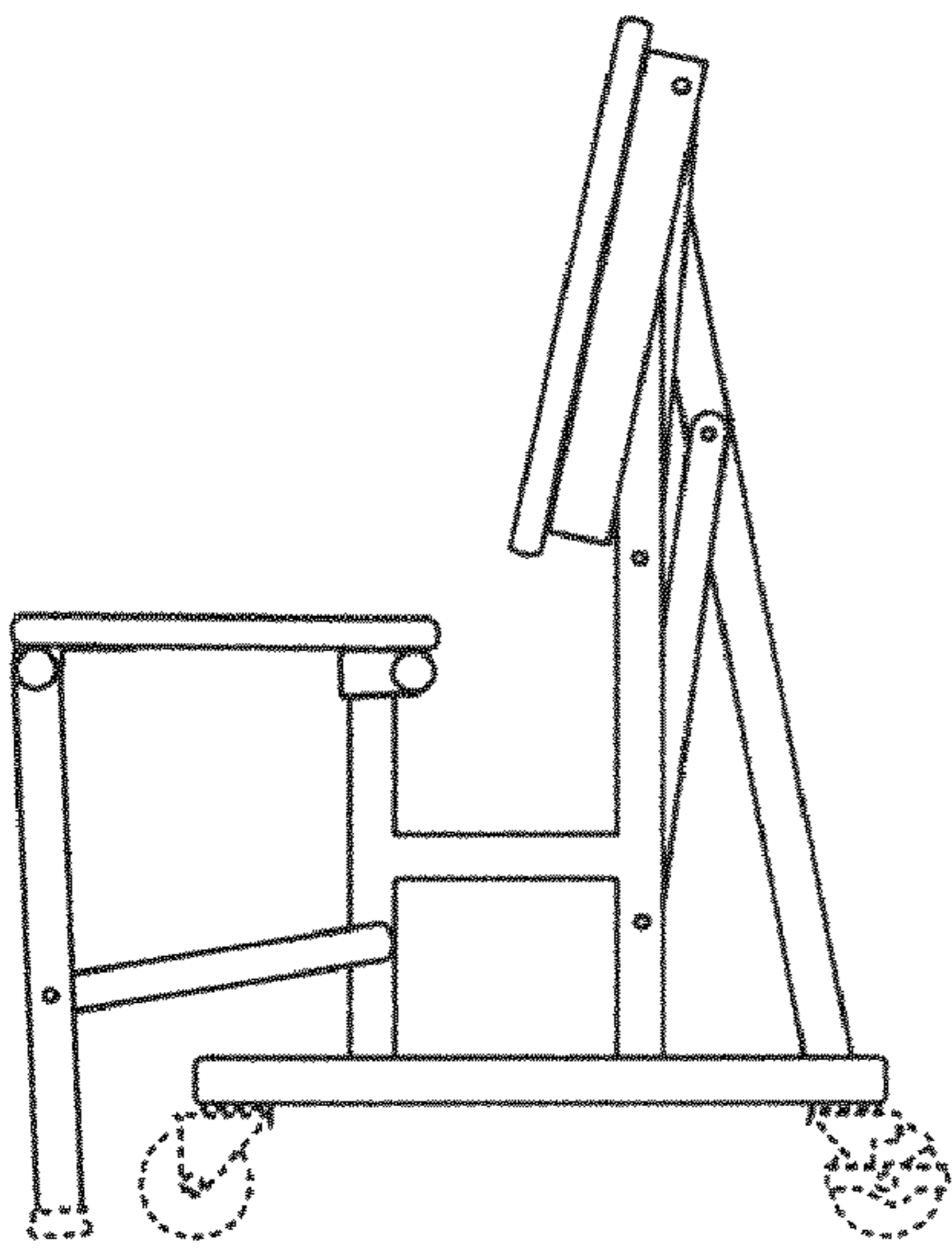


Fig. 8

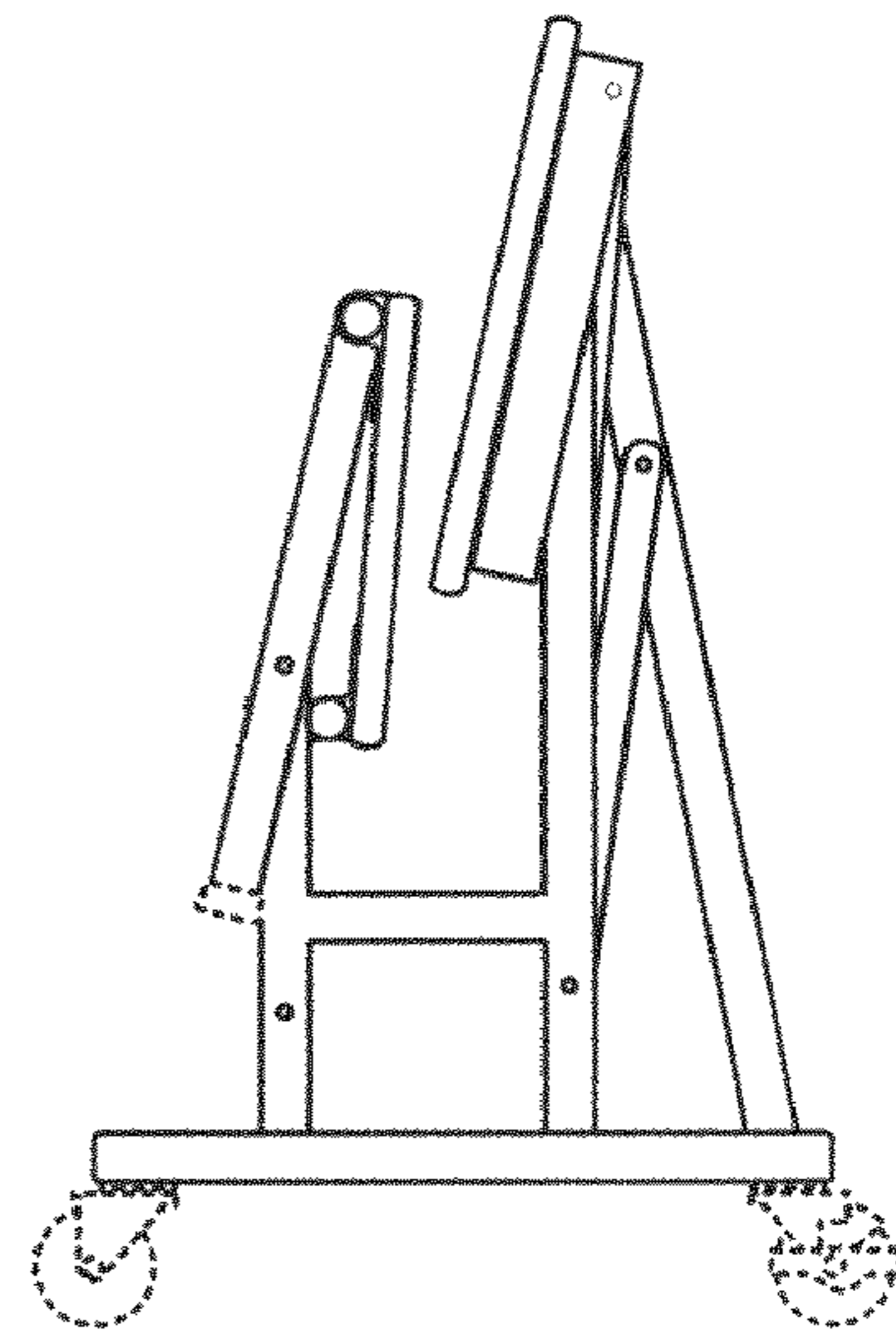


Fig. 9

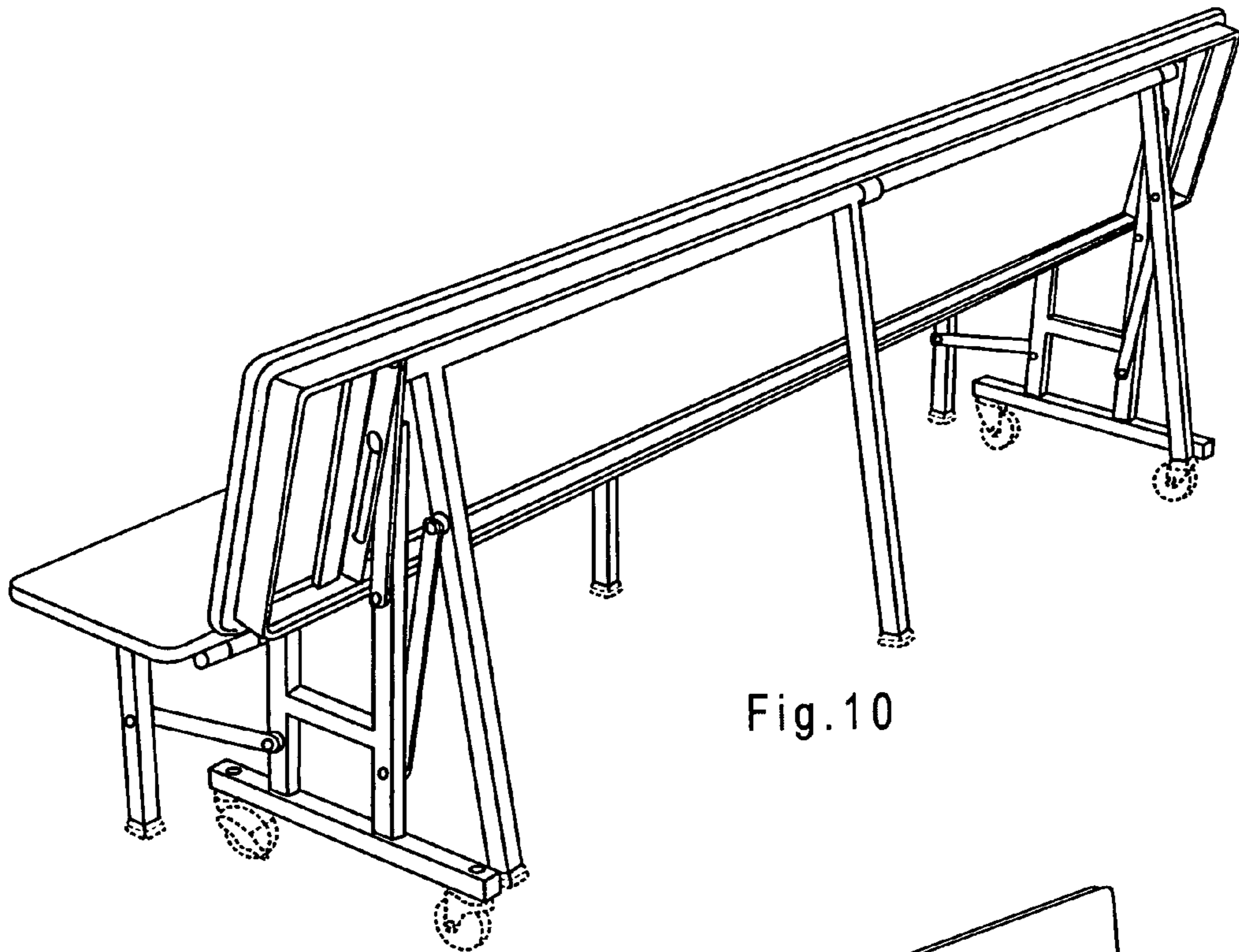


Fig. 10

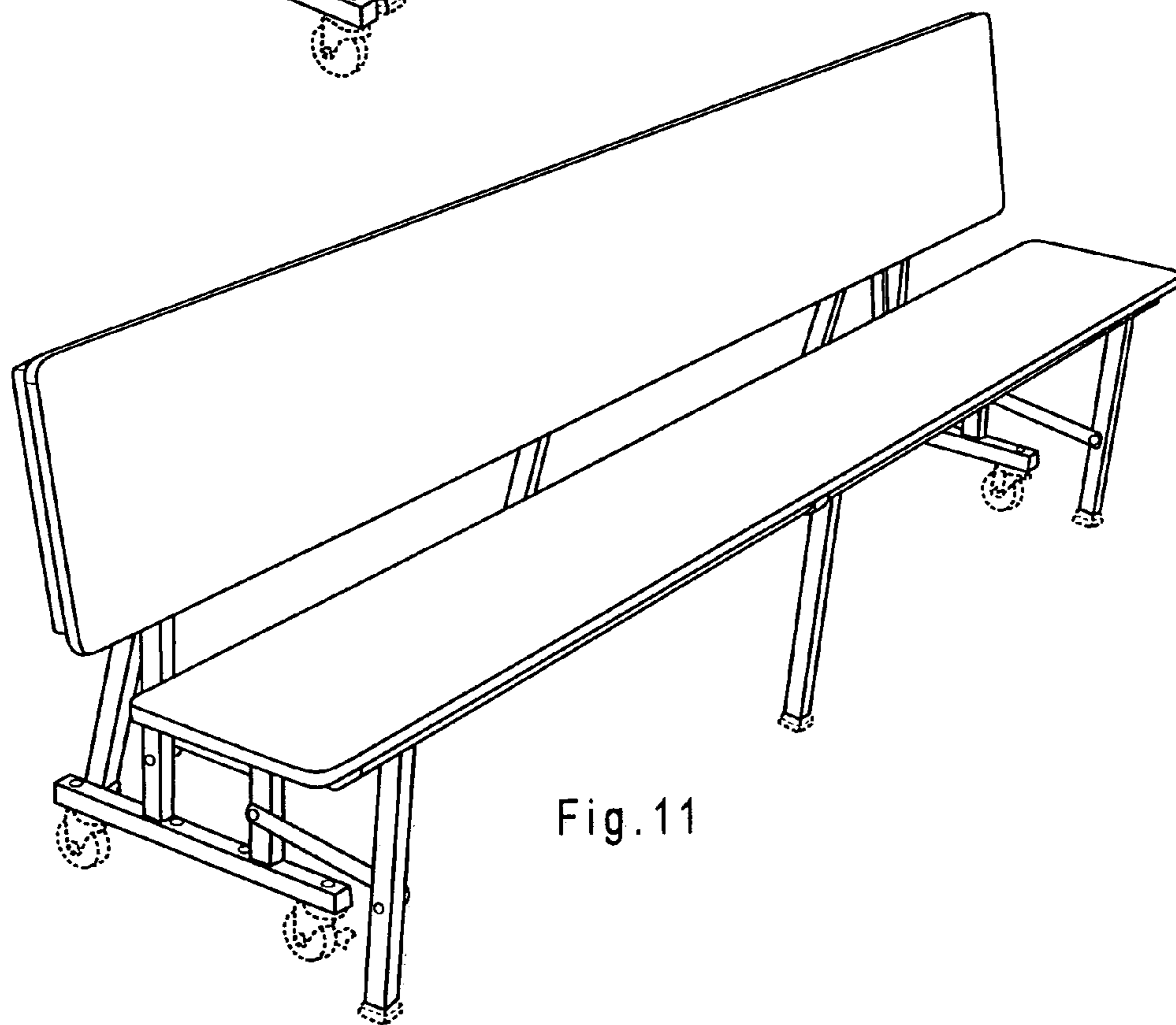


Fig. 11