



US00D660017S

(12) **United States Design Patent**  
**Appell**

(10) **Patent No.:** **US D660,017 S**

(45) **Date of Patent:** **\*\* May 22, 2012**

(54) **BASEBALL SPORT HANGER**

(76) Inventor: **Andrew Appell**, Woodmere, NY (US)

(\*\*) Term: **14 Years**

(21) Appl. No.: **29/374,060**

(22) Filed: **Jun. 28, 2011**

(51) **LOC (9) Cl.** ..... **06-08**

(52) **U.S. Cl.** ..... **D6/316**

(58) **Field of Classification Search** ..... D6/316,  
D6/315, 317-328; D21/713, 725; 211/1,  
211/13.1, 85.3; 223/85-98  
See application file for complete search history.

(56) **References Cited**

**U.S. PATENT DOCUMENTS**

D250,161	S	*	11/1978	Fullarton	.....	D6/319
4,487,343	A	*	12/1984	Chen	.....	223/85
D301,941	S	*	7/1989	Weckstein et al.	.....	D6/319
D320,890	S	*	10/1991	Moore	.....	D6/318
D328,394	S	*	8/1992	Strickland	.....	D6/316

D407,909	S	*	4/1999	Pfutzenreuter	.....	D6/328
6,296,160	B1	*	10/2001	Murray	.....	223/88
D484,321	S	*	12/2003	Jacobs	.....	D6/318
D510,814	S	*	10/2005	Schultz et al.	.....	D6/318
D572,779	S	*	7/2008	Penfold	.....	D21/725

\* cited by examiner

*Primary Examiner* — Derrick Holland

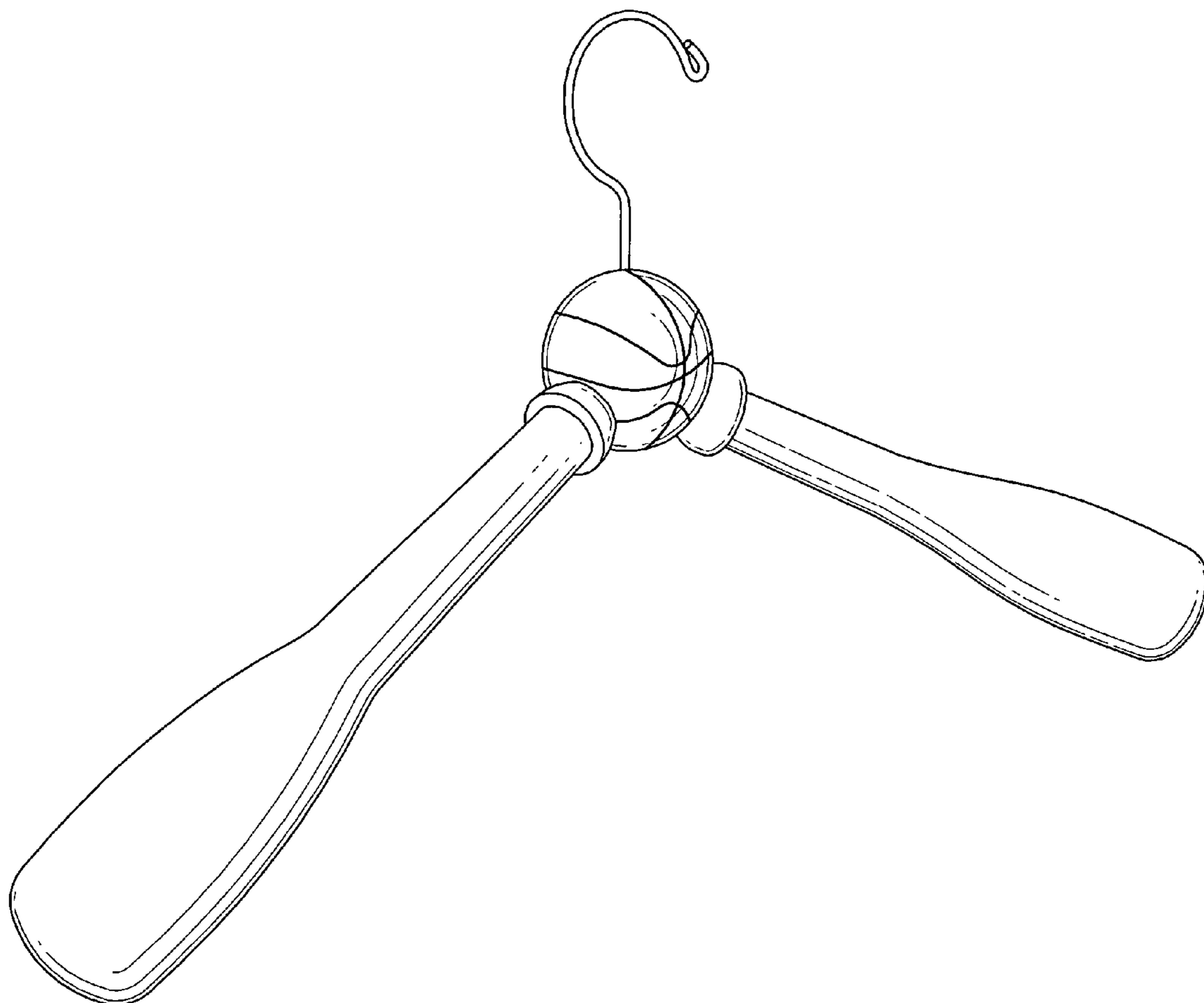
(57) **CLAIM**

The ornamental design for a baseball sport hanger, as shown and described.

**DESCRIPTION**

FIG. 1 is a front perspective view of a baseball sport hanger embodying my new design;  
FIG. 2 is a top plan view thereof;  
FIG. 3 is a bottom plan view thereof;  
FIG. 4 is a left side elevational view thereof;  
FIG. 5 is a right side elevational view;  
FIG. 6 is a front view thereof; and,  
FIG. 7 is a rear view thereof.

**1 Claim, 5 Drawing Sheets**



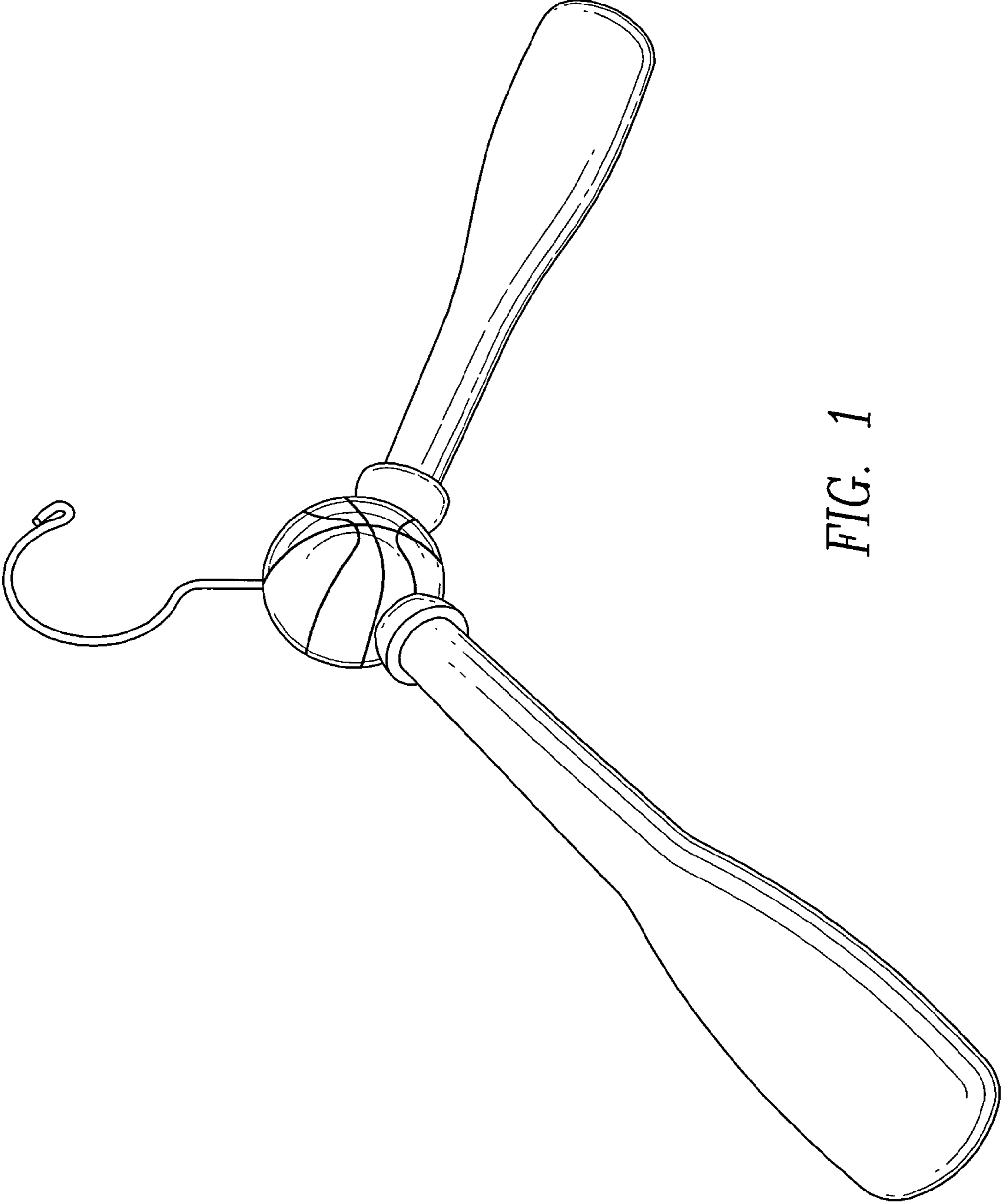


FIG. 1

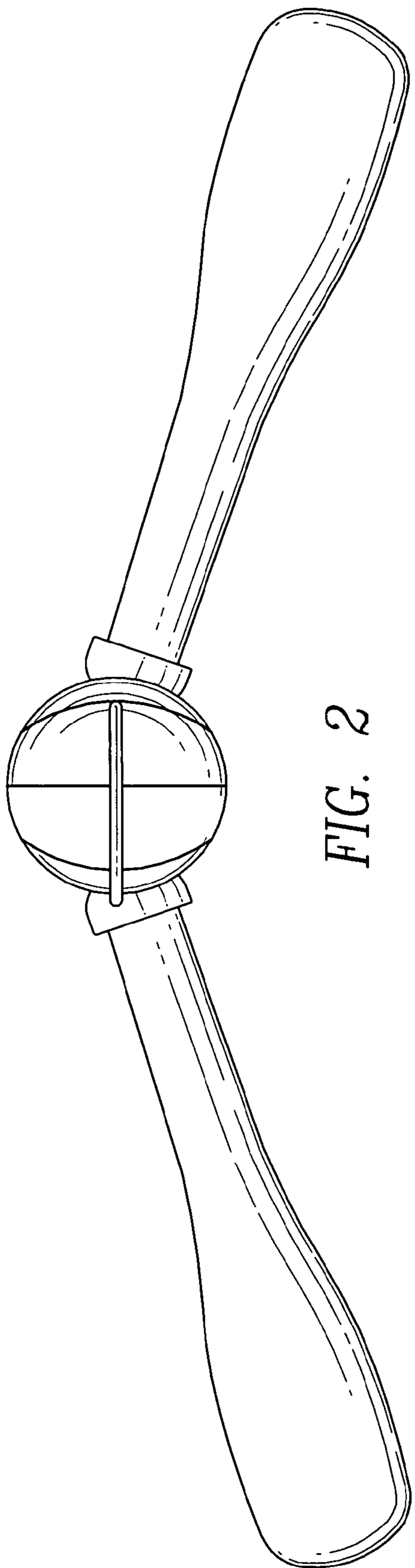


FIG. 2

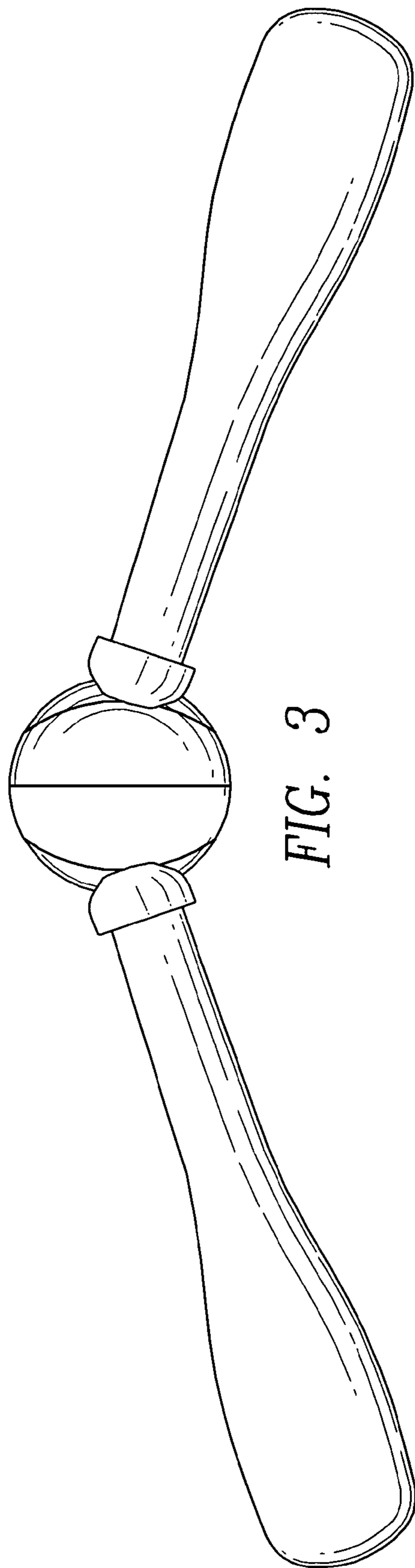
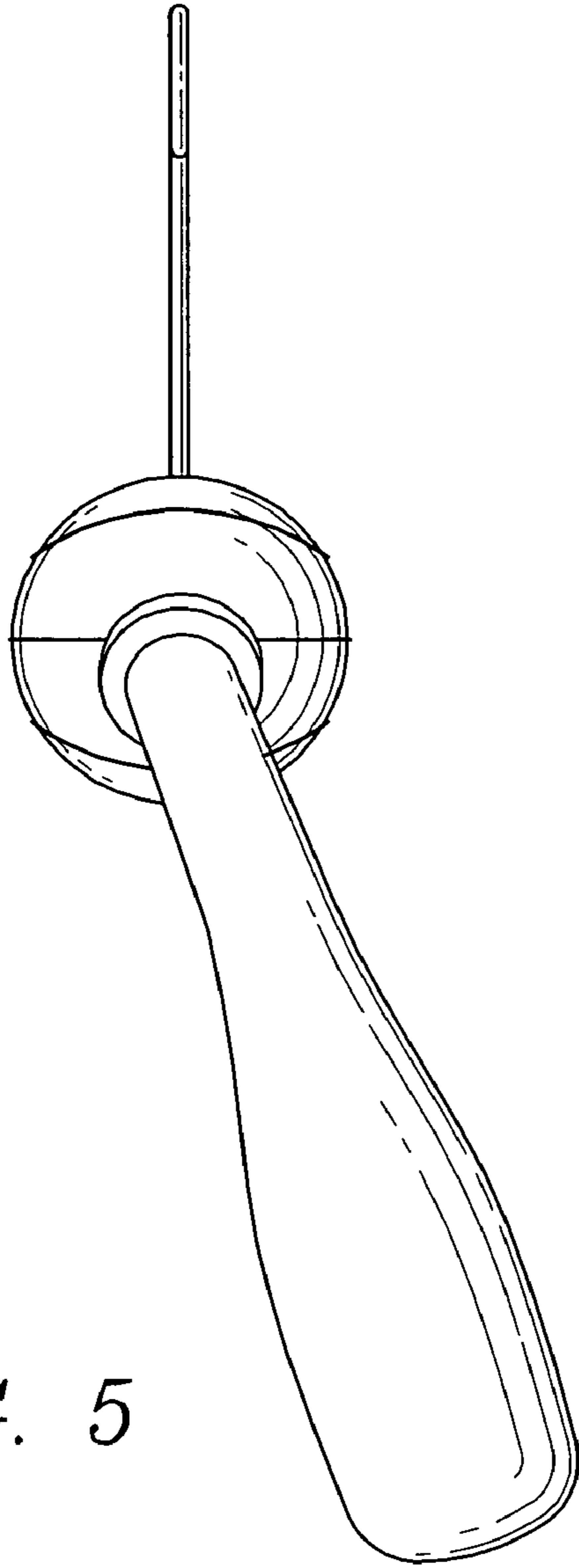
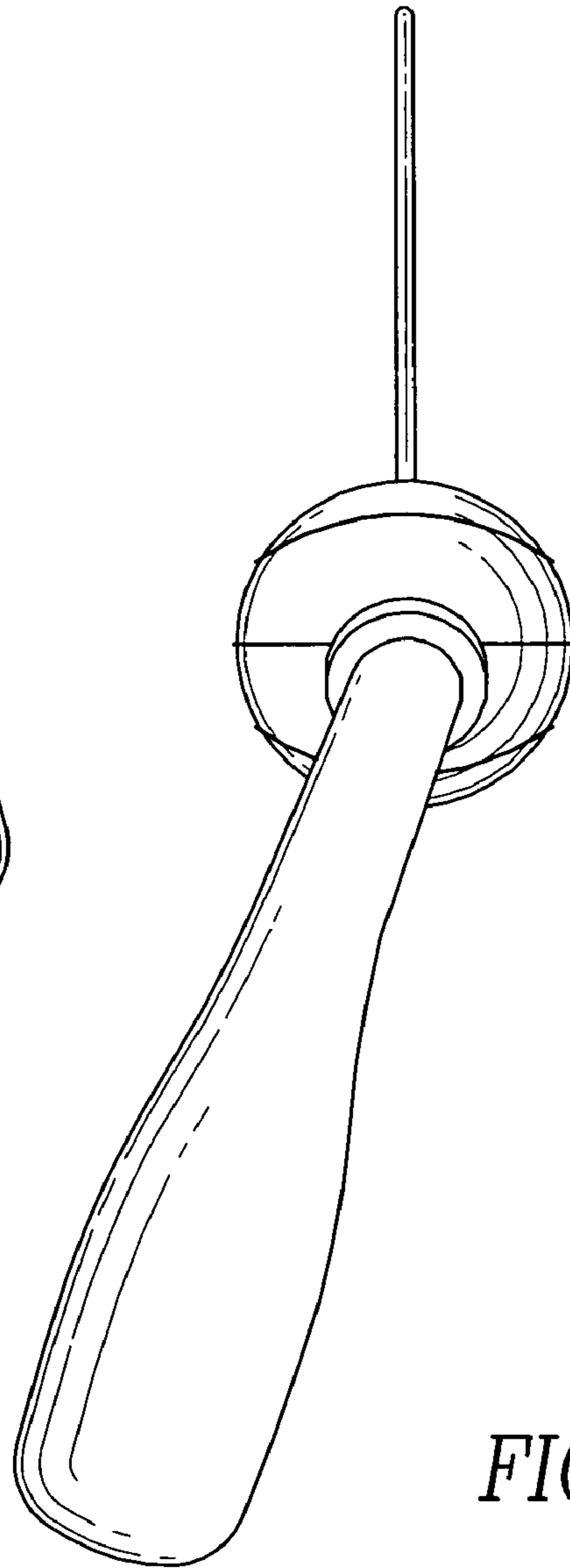


FIG. 3



*FIG. 5*



*FIG. 4*

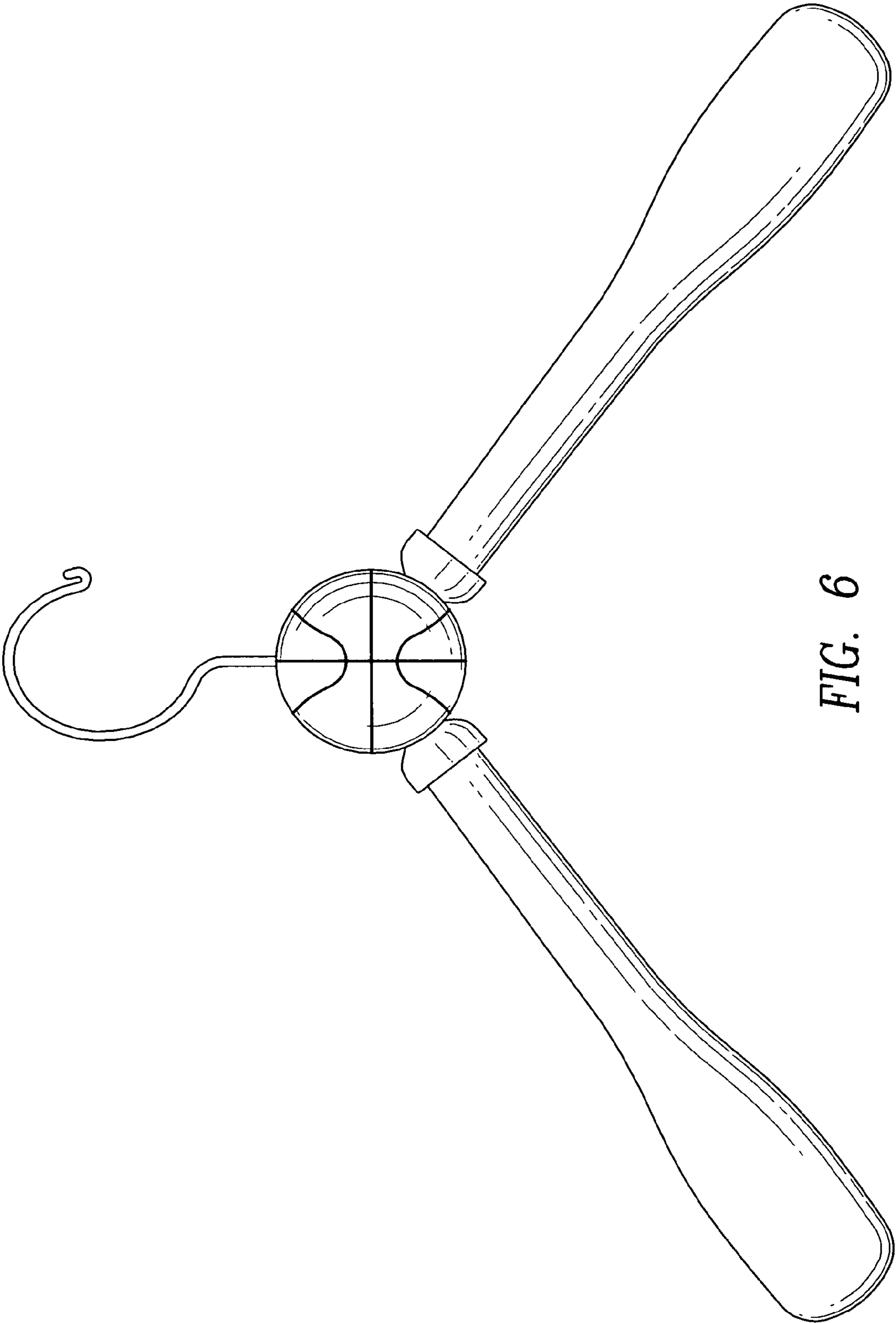


FIG. 6

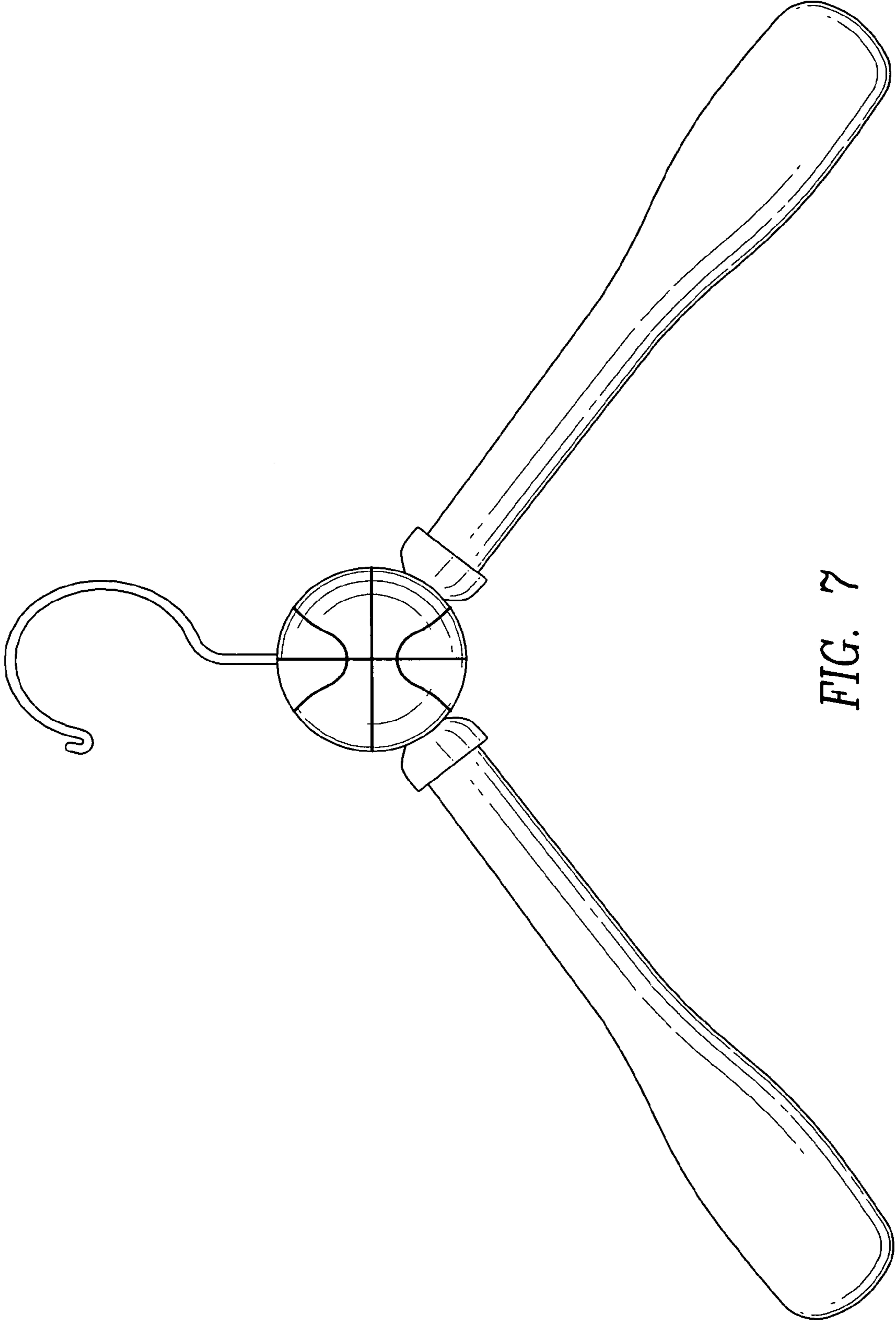


FIG. 7