

US00D660016S

(12) **United States Design Patent**  
**Appell**

(10) **Patent No.:** **US D660,016 S**

(45) **Date of Patent:** **\*\* May 22, 2012**

(54) **GOLF SPORT HANGER**

(76) Inventor: **Andrew Appell**, Woodmere, NY (US)

(\*\*) Term: **14 Years**

(21) Appl. No.: **29/374,057**

(22) Filed: **Jun. 28, 2011**

(51) **LOC (9) Cl.** ..... **06-08**

(52) **U.S. Cl.** ..... **D6/316**

(58) **Field of Classification Search** ..... D6/316,  
D6/315, 317-328; D21/747, 751-759; 211/1,  
211/13.1, 85.3; 223/85-98

See application file for complete search history.

(56) **References Cited**

**U.S. PATENT DOCUMENTS**

D250,161 S *	11/1978	Fullarton	.....	D6/319
4,487,343 A *	12/1984	Chen	.....	223/85
D301,941 S *	7/1989	Weckstein et al.	.....	D6/319
D320,890 S *	10/1991	Moore	.....	D6/318
D328,394 S *	8/1992	Strickland	.....	D6/316

D407,909 S *	4/1999	Pfutzenreuter	.....	D6/328
6,296,160 B1 *	10/2001	Murray	.....	223/88
D484,321 S *	12/2003	Jacobs	.....	D6/318
D510,814 S *	10/2005	Schultz et al.	.....	D6/318

\* cited by examiner

*Primary Examiner* — Derrick Holland

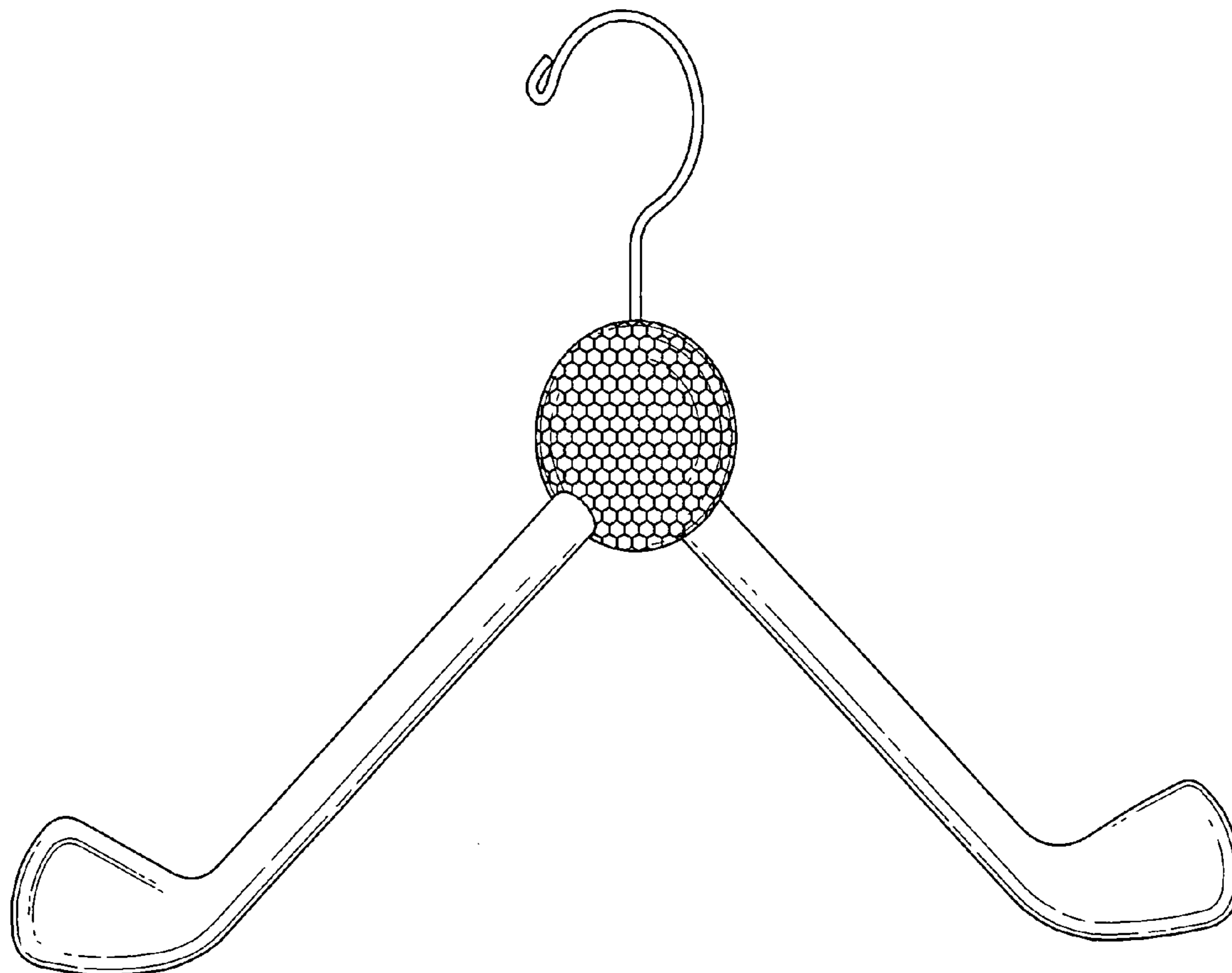
(57) **CLAIM**

The ornamental design for a golf sport hanger, as shown and described.

**DESCRIPTION**

FIG. 1 is a front perspective view of a golf sport hanger embodying my new design;  
FIG. 2 is a top plan view thereof;  
FIG. 3 is a bottom plan view thereof;  
FIG. 4 is a left side elevational view thereof;  
FIG. 5 is a right side elevational view;  
FIG. 6 is a front view thereof; and,  
FIG. 7 is a rear view thereof.

**1 Claim, 5 Drawing Sheets**



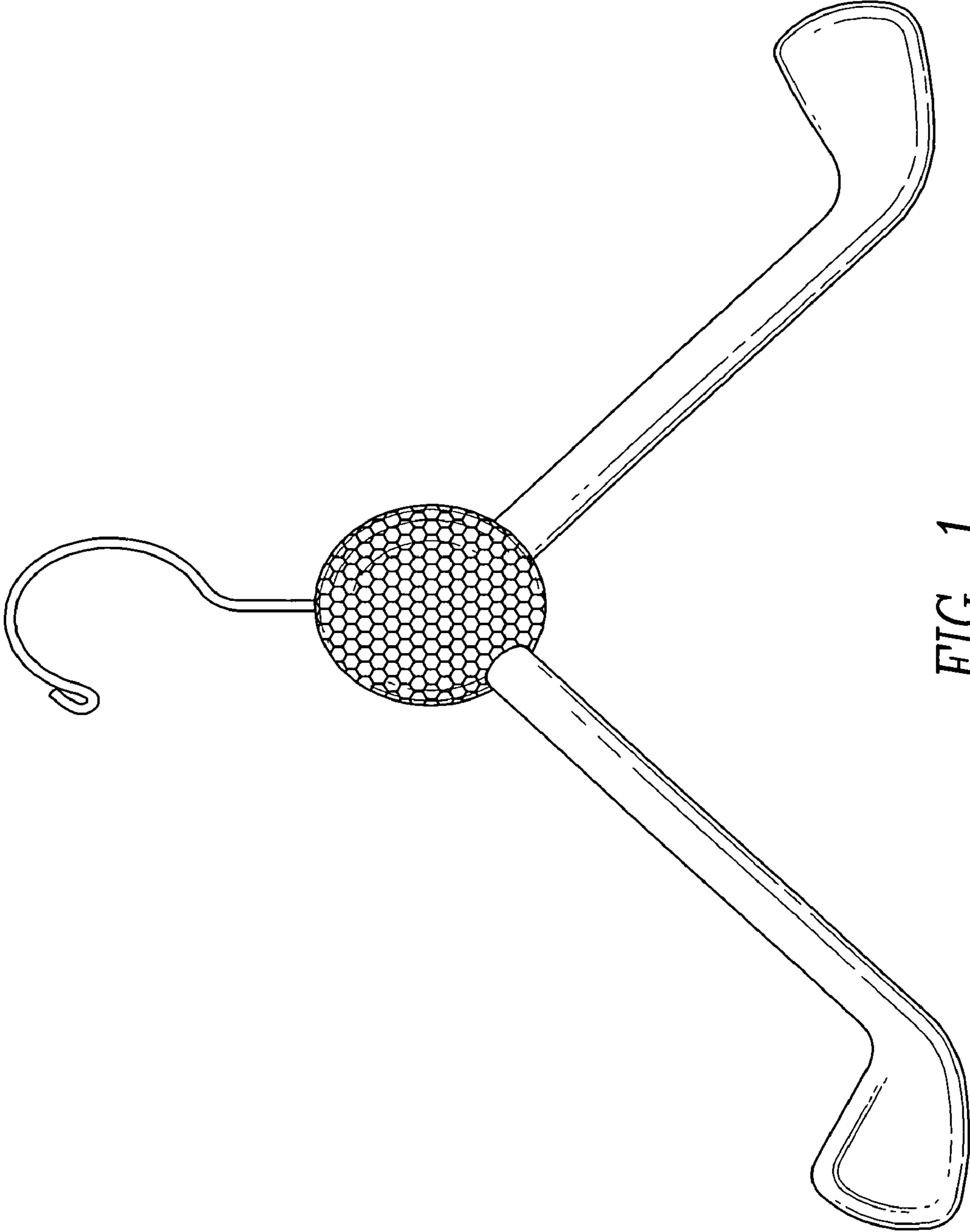


FIG. 1

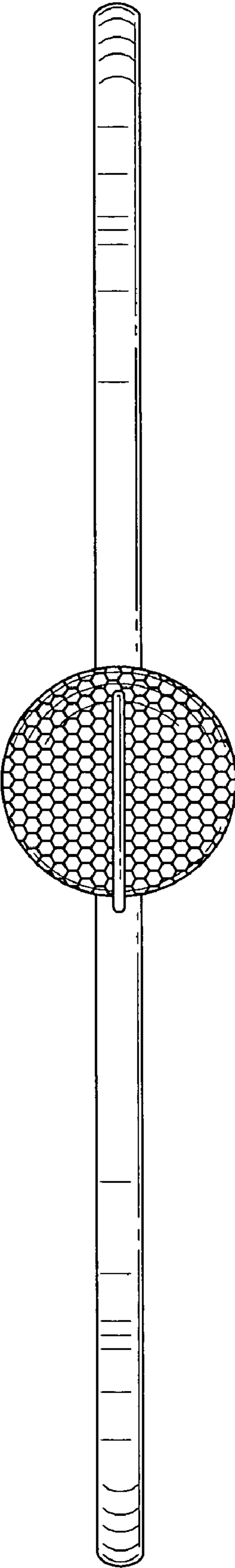


FIG. 2

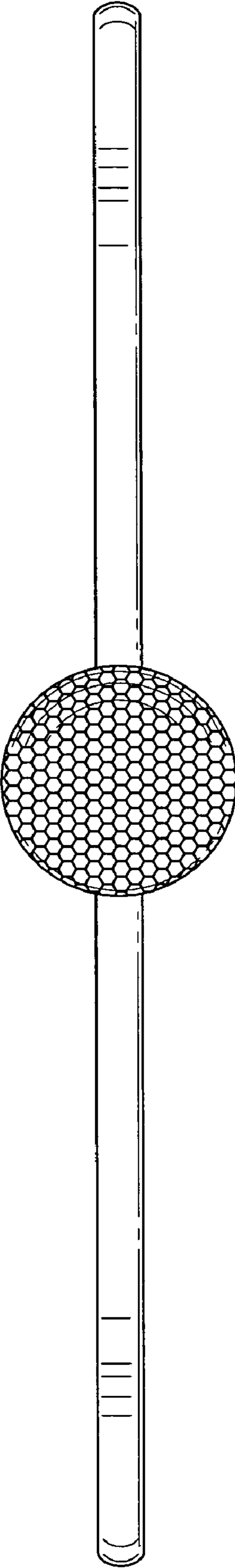


FIG. 3

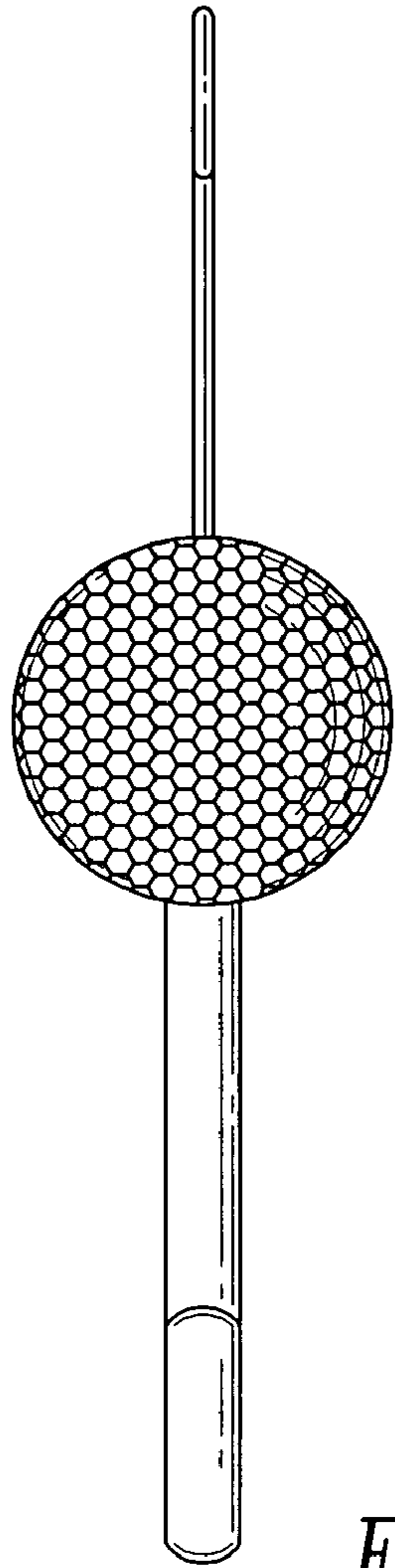


FIG. 4

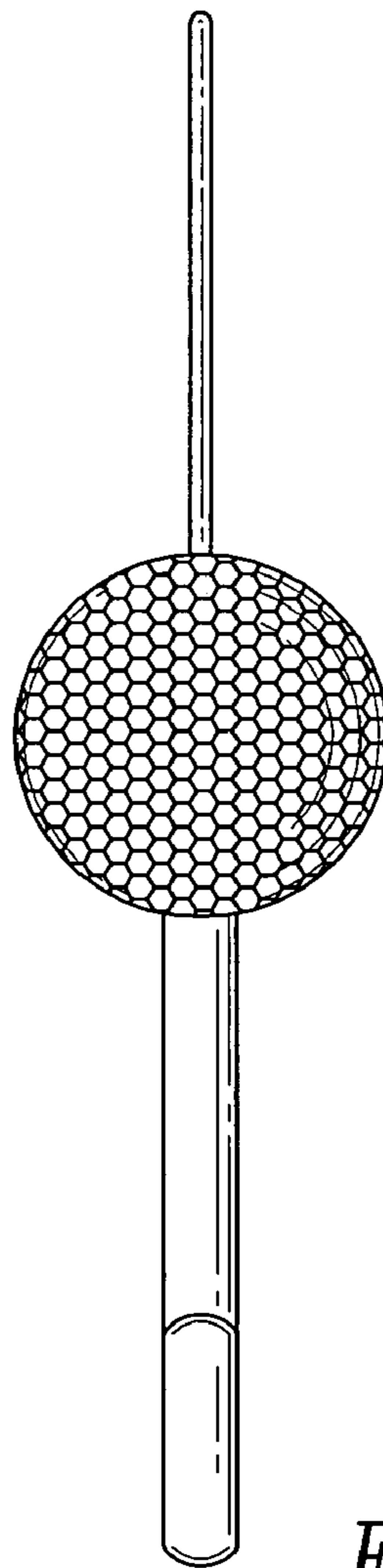


FIG. 5

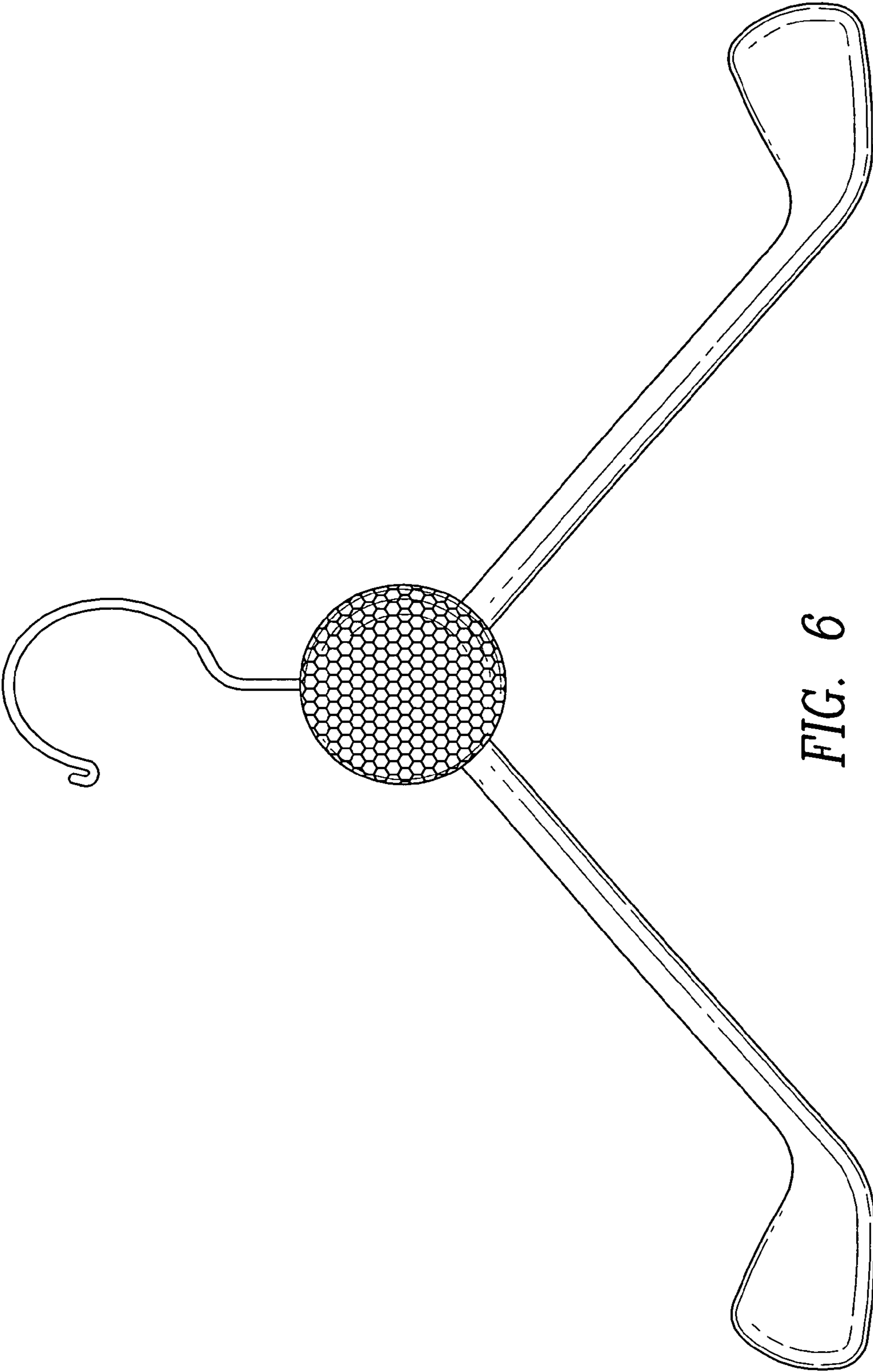


FIG. 6

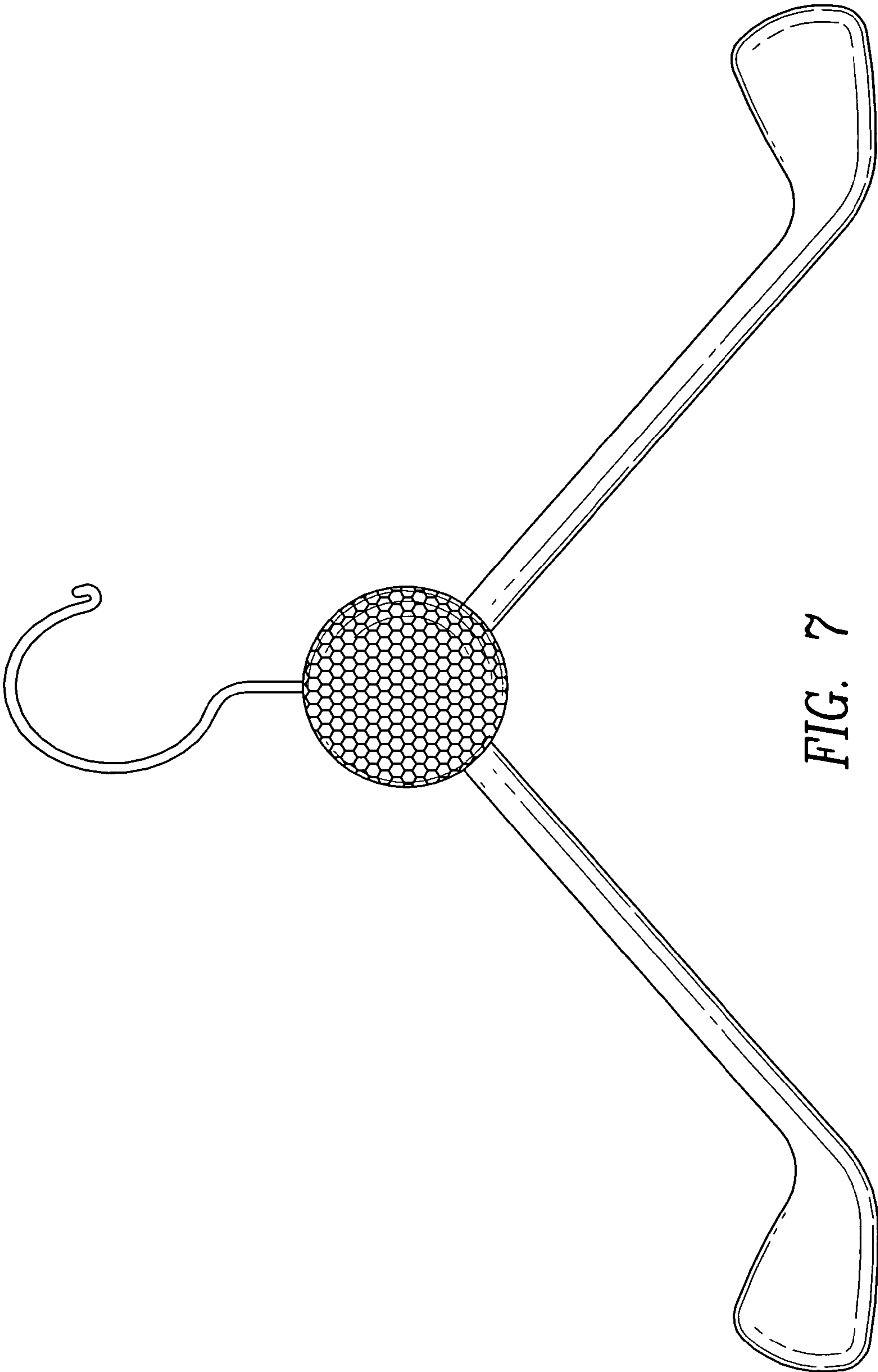


FIG. 7