



US00D660015S

(12) **United States Design Patent**
Chiu

(10) **Patent No.:** **US D660,015 S**

(45) **Date of Patent:** **** May 22, 2012**

(54) **DISPLAY**

(75) **Inventor:** **Yi-Chung Chiu**, Taoyuan County (TW)

(73) **Assignee:** **Hannspree, Inc.**, New Taipei (TW)

(**) **Term:** **14 Years**

(21) **Appl. No.:** **29/393,091**

(22) **Filed:** **May 31, 2011**

(51) **LOC (9) Cl.** **06-07**

(52) **U.S. Cl.** **D6/308; D14/371**

(58) **Field of Classification Search** D6/300,
D6/308, 304, 310, 303; D14/372, 448, 449,
D14/450, 141.2, 126, 375, 371, 336; 24/103;
D11/133, 140, 134; 40/700, 1.5, 124.5, 714,
40/721, 768; D20/15

See application file for complete search history.

(56) **References Cited**

U.S. PATENT DOCUMENTS

D543,522	S	*	5/2007	Lee	D14/126
D595,249	S	*	6/2009	Lee	D14/126
D597,977	S	*	8/2009	Won et al.	D14/126
D605,647	S	*	12/2009	Chern et al.	D14/336

* cited by examiner

Primary Examiner — Philip S Hyder

Assistant Examiner — Sydney Buffalow

(74) *Attorney, Agent, or Firm* — Ming Chow; Sinorica, LLC

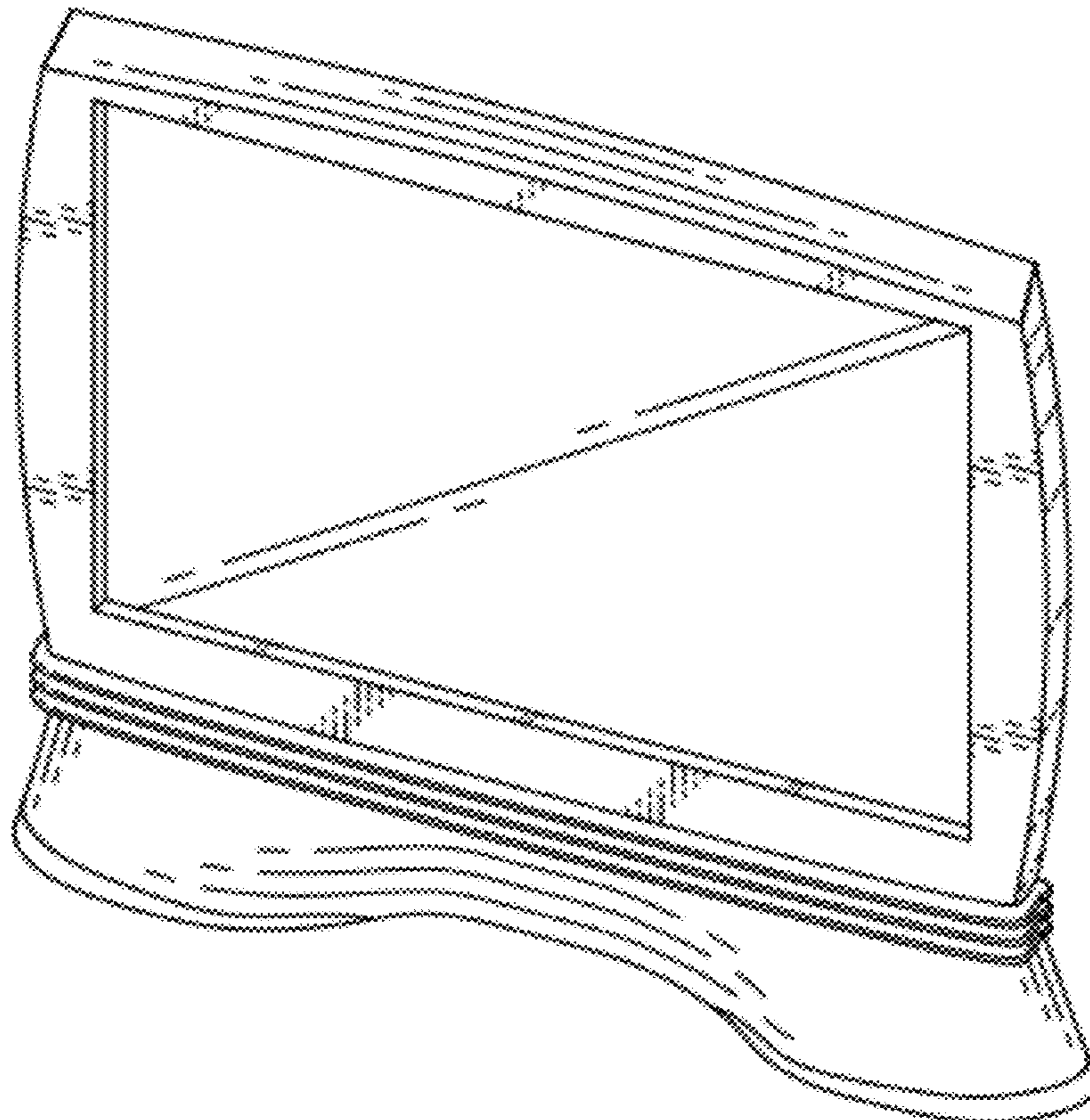
(57) **CLAIM**

The ornamental design for a display, as shown and described.

DESCRIPTION

FIG. 1. is a perspective view of a display showing my new design;
FIG. 2. is a front elevational view thereof;
FIG. 3. is a rear elevational view thereof;
FIG. 4. is a left side elevational view thereof;
FIG. 5. is a right side elevational view thereof;
FIG. 6. is a top plan view thereof; and,
FIG. 7. is a bottom plan view thereof.

1 Claim, 7 Drawing Sheets



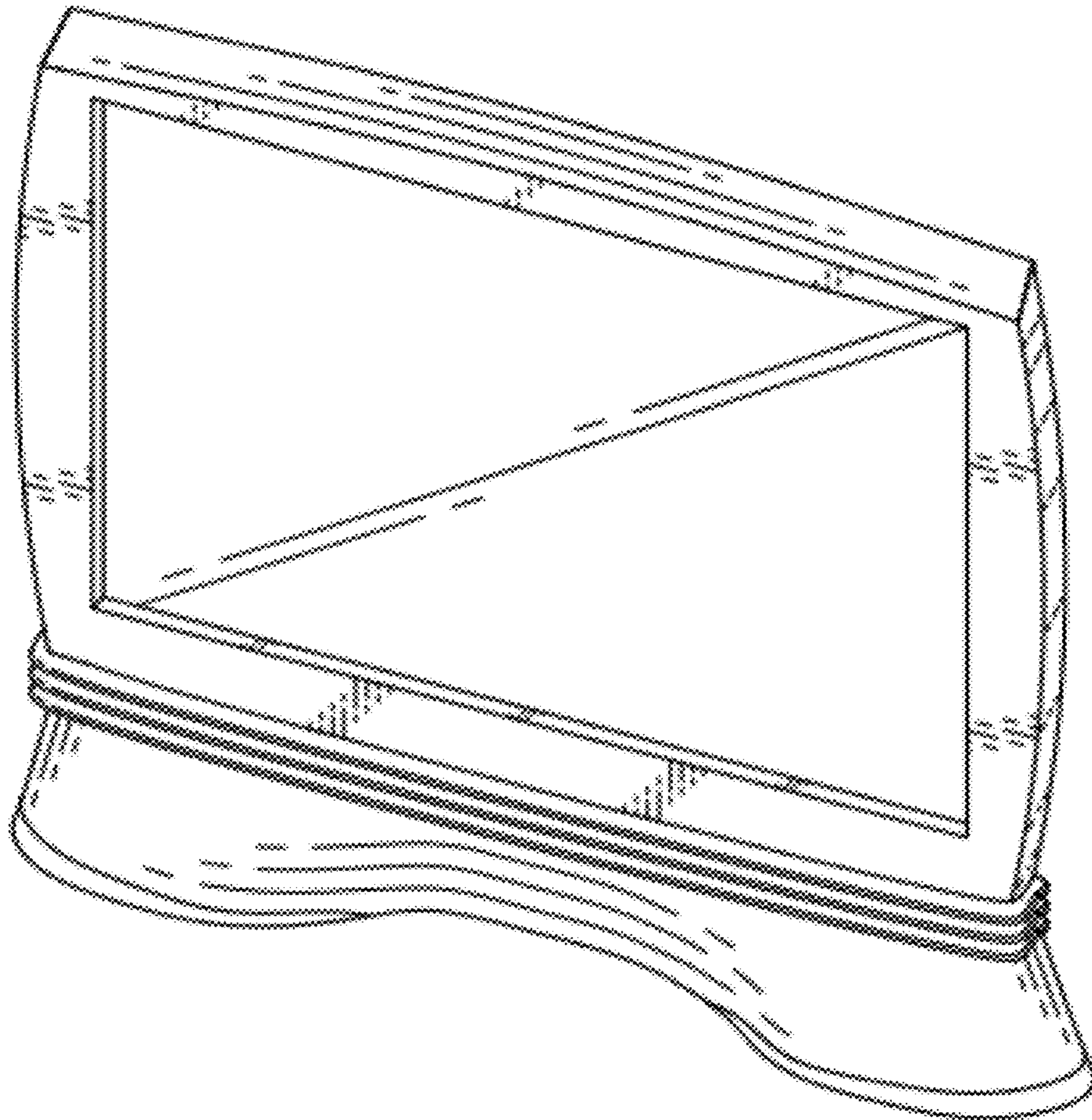


FIG. 1

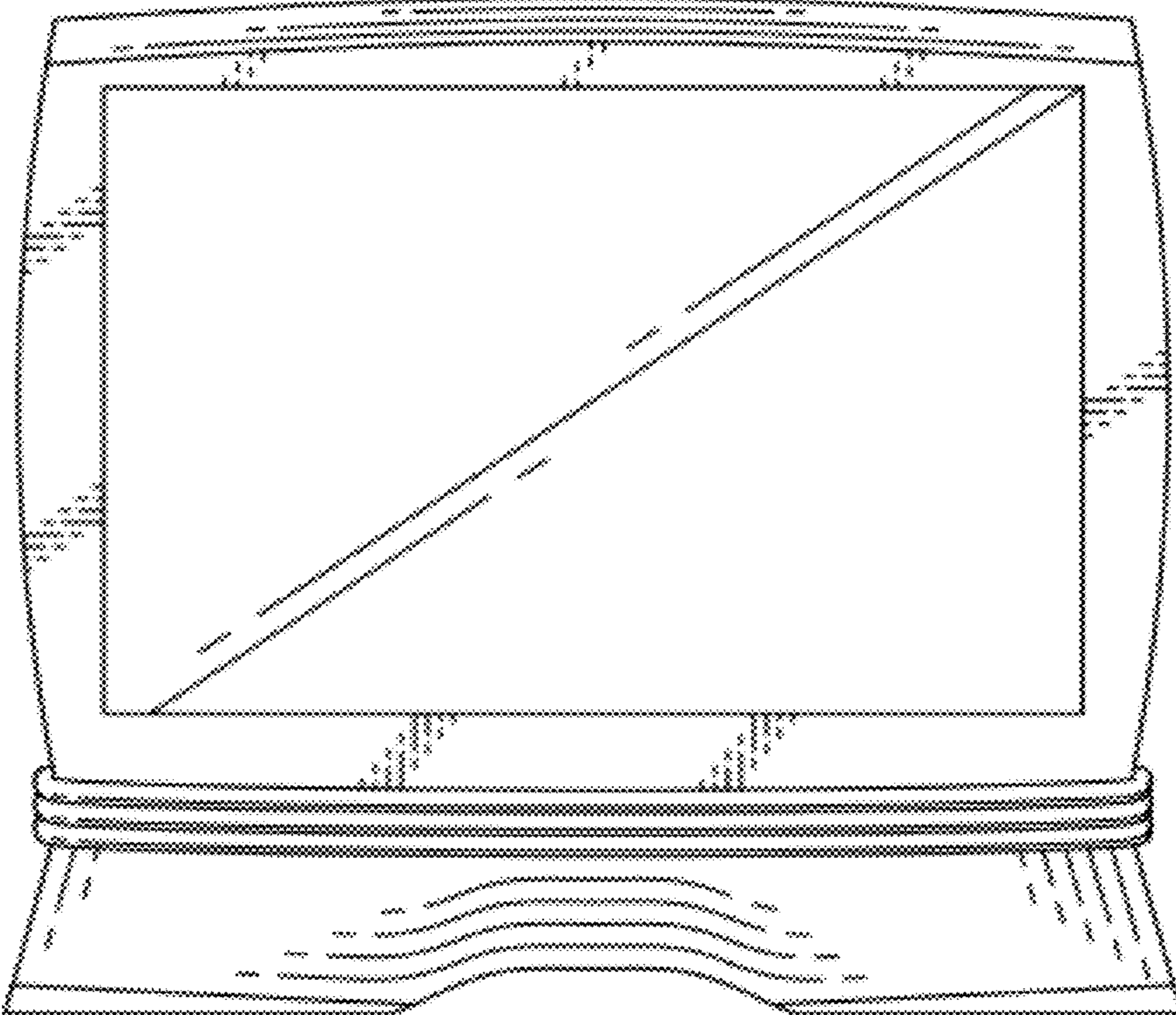


FIG. 2

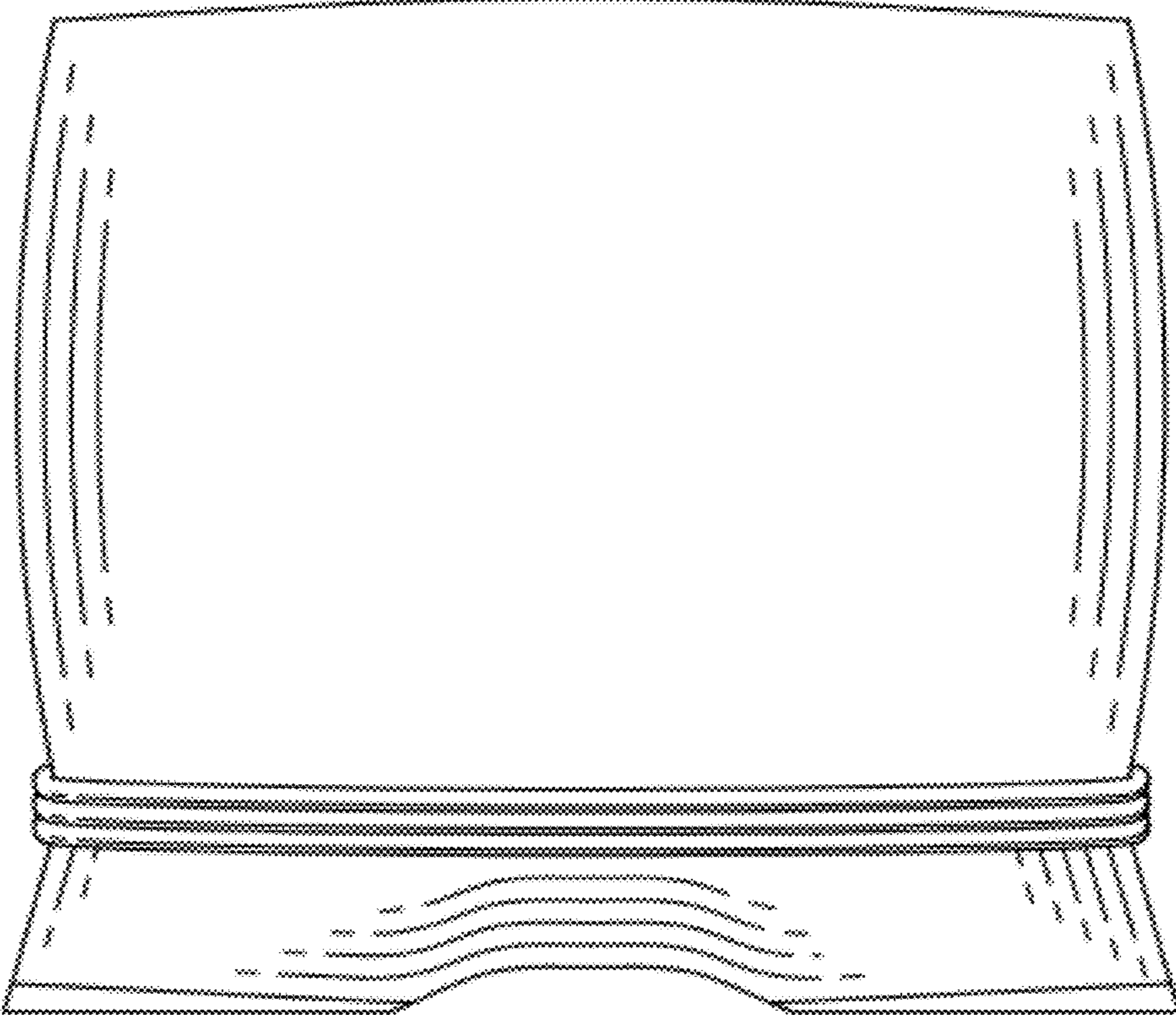


FIG. 3

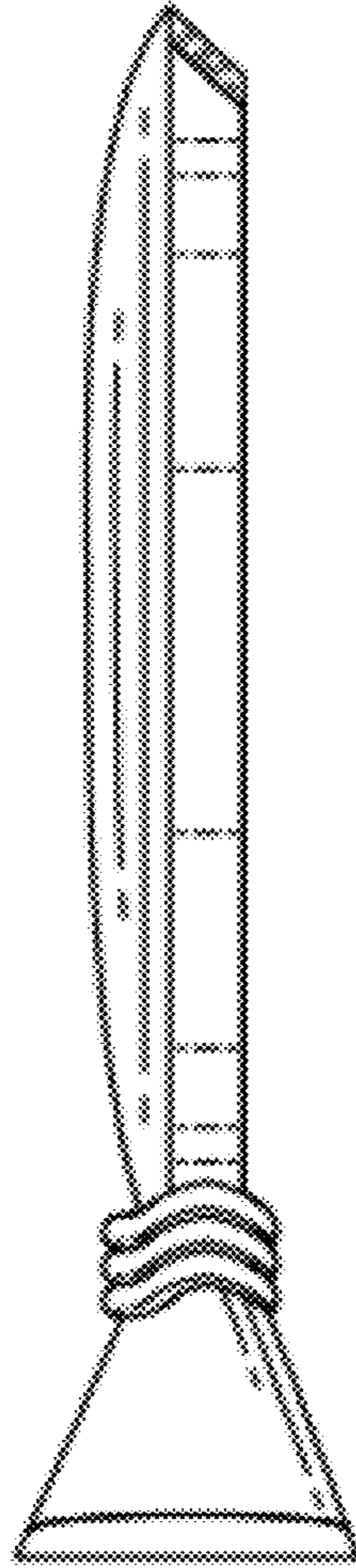


FIG. 4

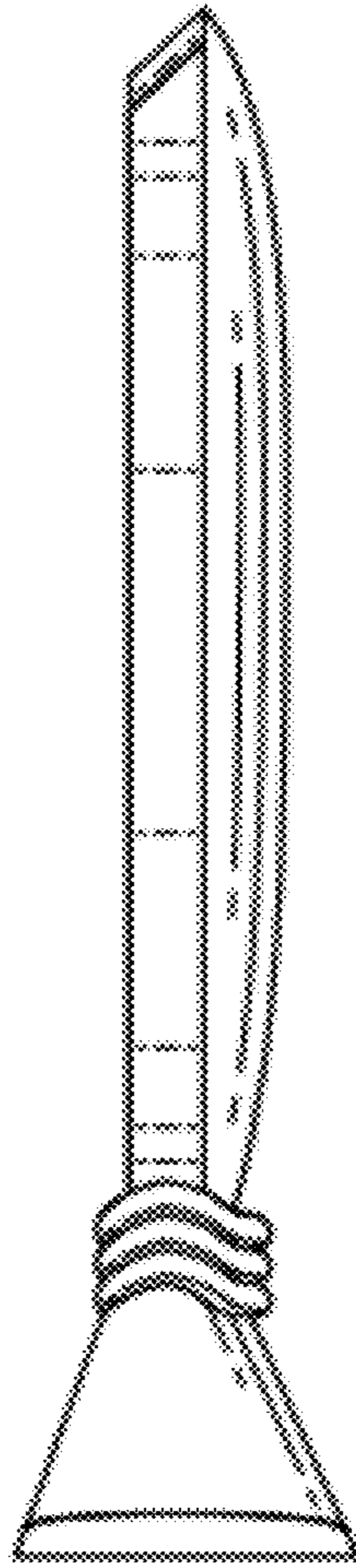


FIG. 5



FIG. 6

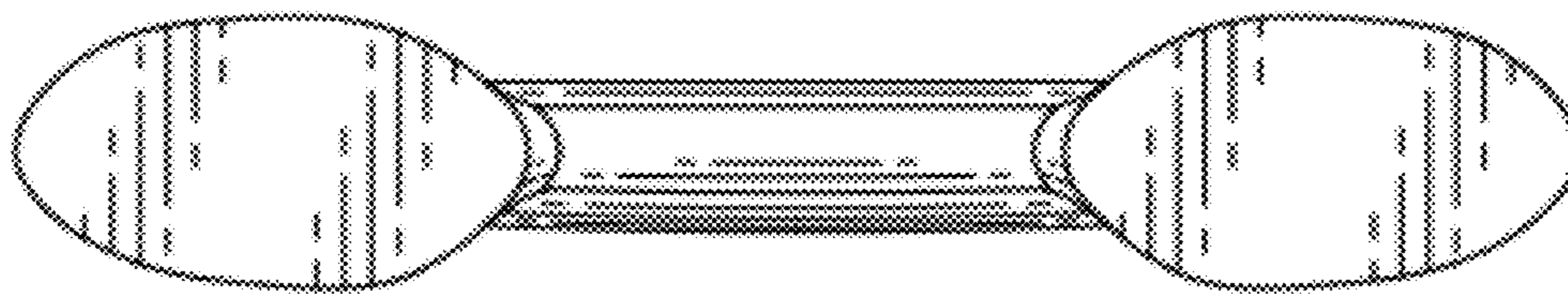


FIG. 7