



US00D660006S

(12) **United States Design Patent**
Li

(10) **Patent No.:** **US D660,006 S**

(45) **Date of Patent:** **** May 22, 2012**

(54) **DISH BRUSH**

(75) Inventor: **Quan Li**, Queens, NY (US)

(73) Assignee: **Casabella Holdings, LLC**, Congers, NY (US)

(**) Term: **14 Years**

(21) Appl. No.: **29/389,225**

(22) Filed: **Apr. 7, 2011**

(51) **LOC (9) Cl.** **04-01**

(52) **U.S. Cl.** **D4/121; D4/118; D4/136; D4/137; D32/51**

(58) **Field of Classification Search** D4/132-134, D4/136-138, 118, 121; D28/63; D32/40, D32/51, 52; 601/136-138; 15/110, 111, 15/114, 118, 43.1, 159.1, 160, 188, 209.1, 15/210.1, 221, 224, 244.1, 143.1
See application file for complete search history.

(56) **References Cited**

U.S. PATENT DOCUMENTS

2,218,072	A *	10/1940	Runnels	606/161
D197,637	S *	3/1964	Vallis	D4/118
3,317,944	A *	5/1967	Napier, Sr. et al.	15/244.1
D417,324	S *	11/1999	Farls	D32/40

6,250,833	B1 *	6/2001	Perry et al.	401/278
6,425,701	B1 *	7/2002	Jacobs	401/6
D501,325	S *	2/2005	Berti	D4/138
D502,301	S *	2/2005	Hay	D32/52
7,461,993	B1 *	12/2008	Sampaio	401/271
D591,953	S *	5/2009	Krus et al.	D4/127

* cited by examiner

Primary Examiner — Melanie H Tung

Assistant Examiner — Lavone D Tabor

(74) *Attorney, Agent, or Firm* — Curtis, Mallet-Prevost, Colt & Mosle, LLP

(57) **CLAIM**

The ornamental design for the dish brush, as shown and described.

DESCRIPTION

FIG. 1 is a perspective view of the new ornamental dish brush of the present invention.

FIG. 2 is a front view thereof.

FIG. 3 is a rear view thereof.

FIG. 4 is a left view thereof.

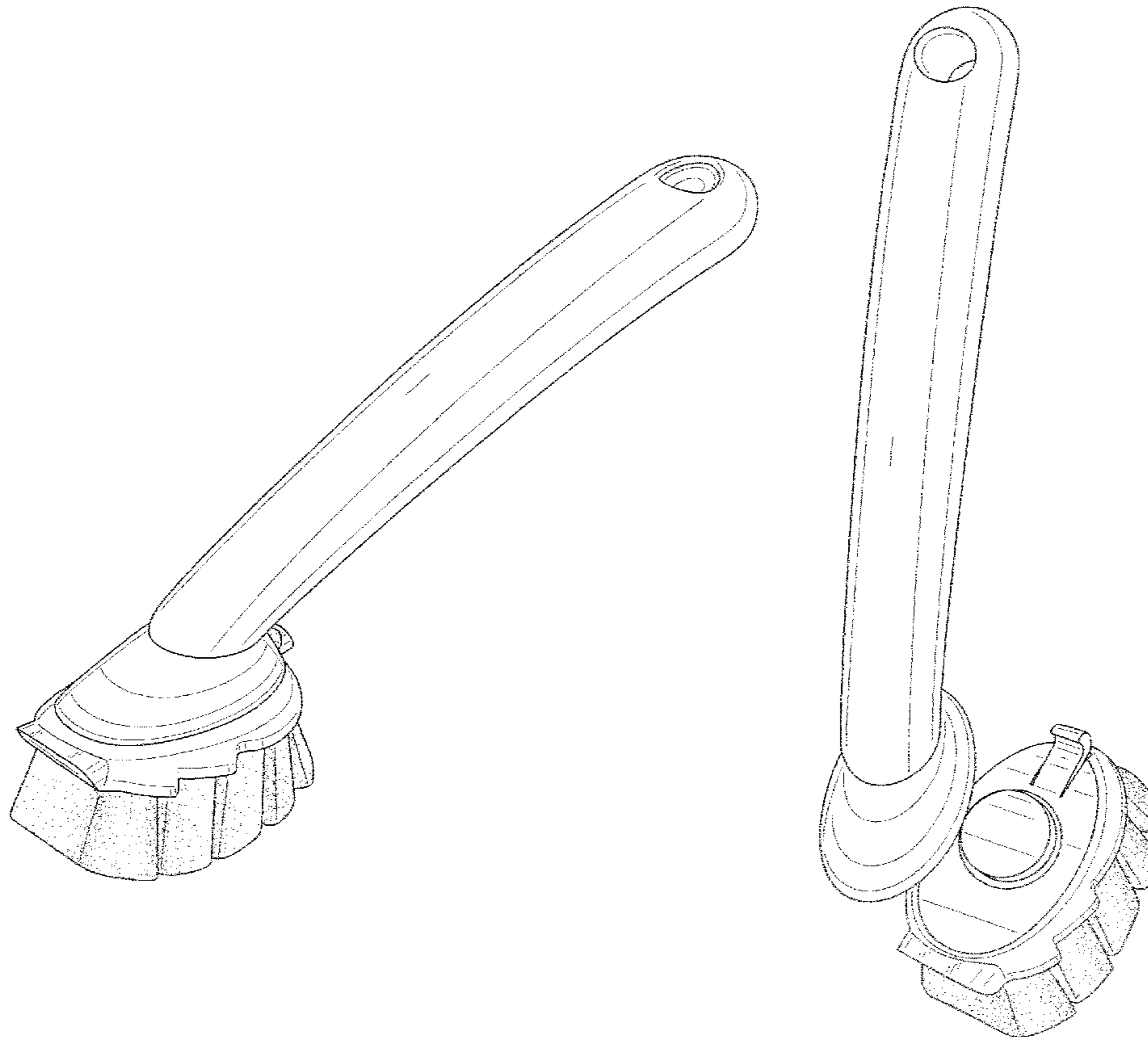
FIG. 5 is a right view thereof.

FIG. 6 is a top view thereof.

FIG. 7 is a bottom view thereof; and,

FIG. 8 is an exploded view thereof.

1 Claim, 5 Drawing Sheets



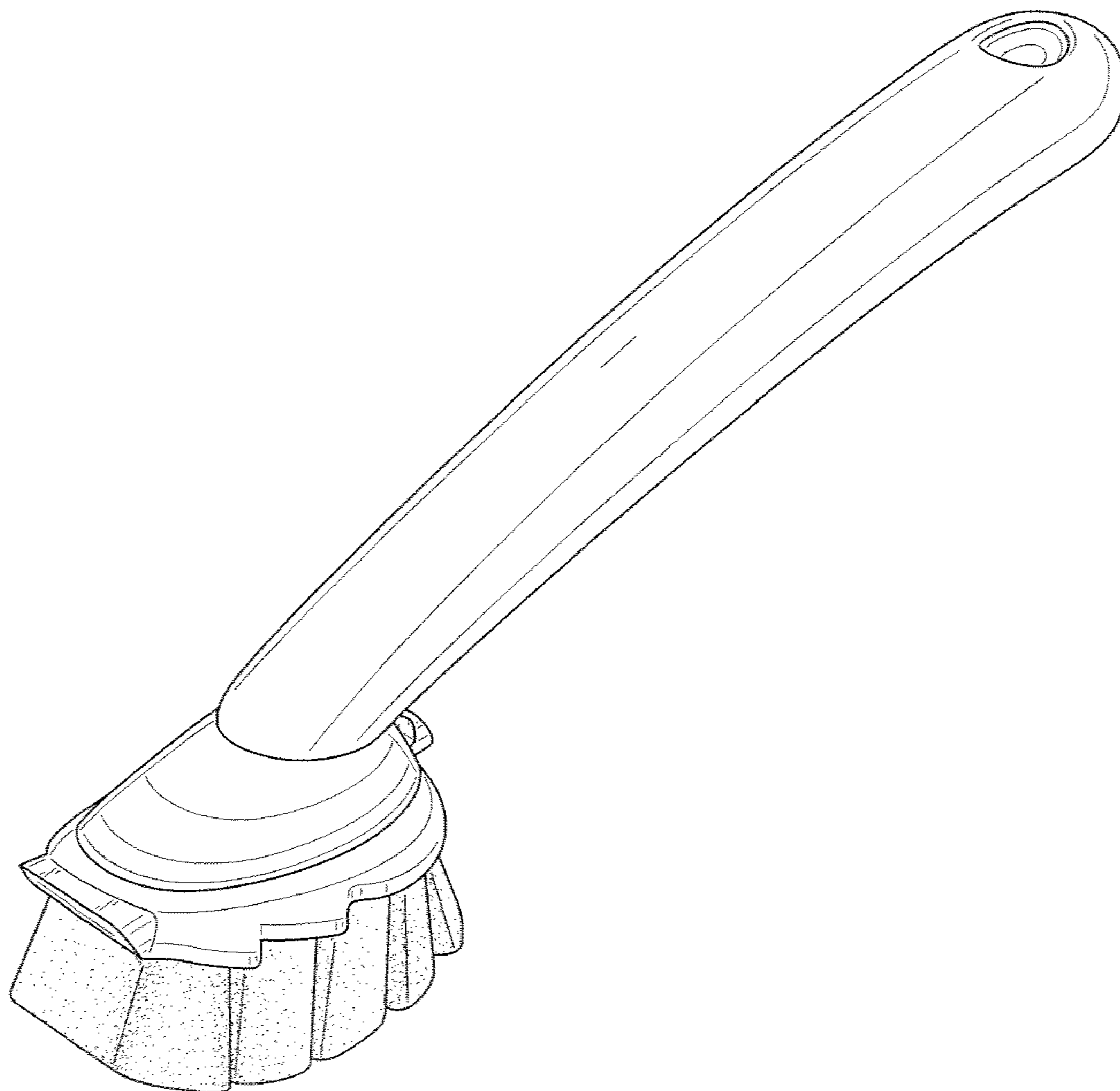


FIG. 1

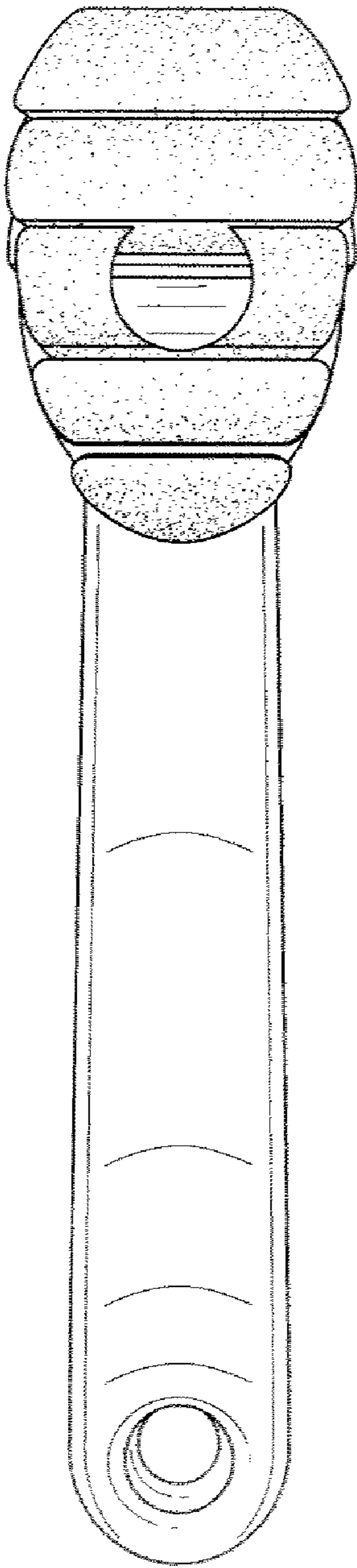


FIG. 2

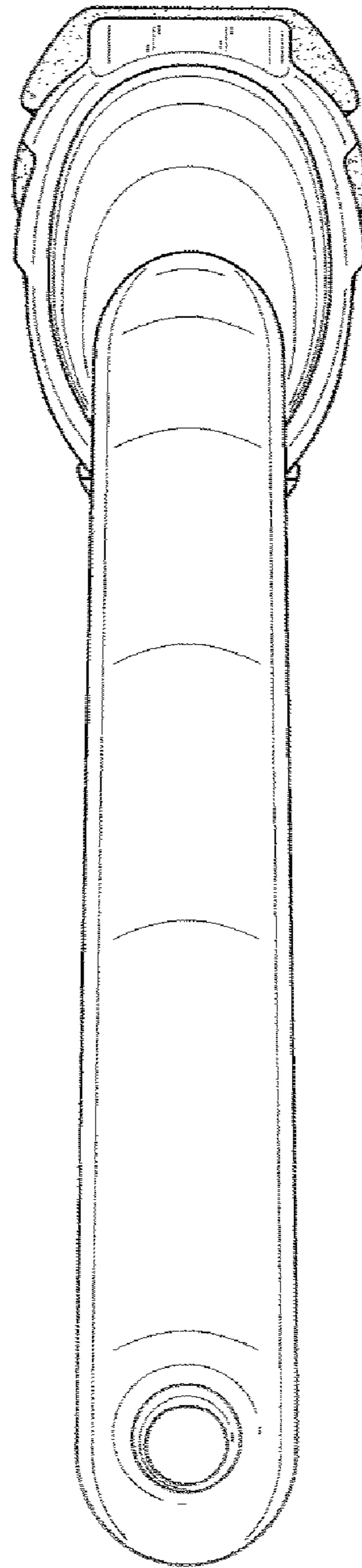


FIG. 3

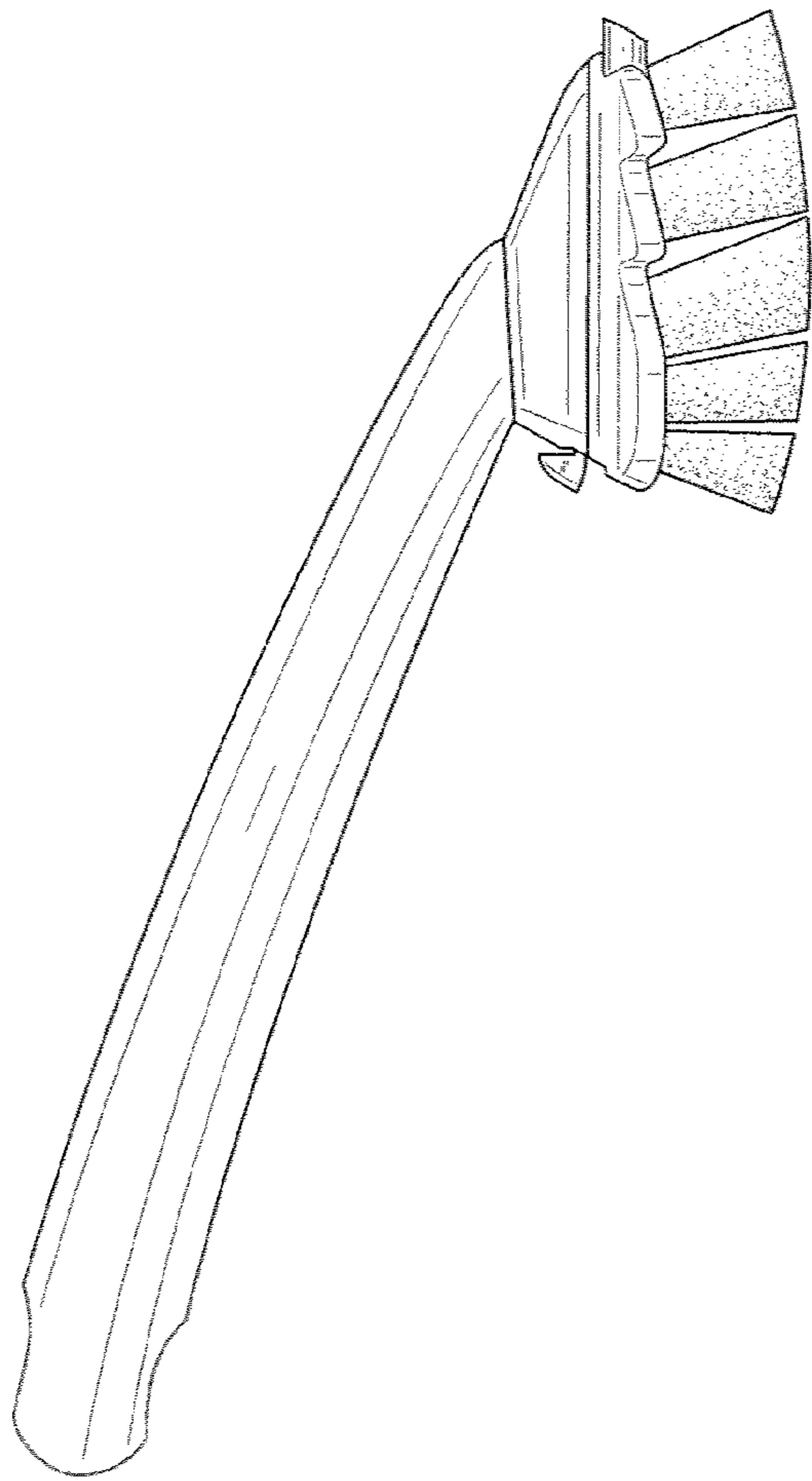


FIG. 4

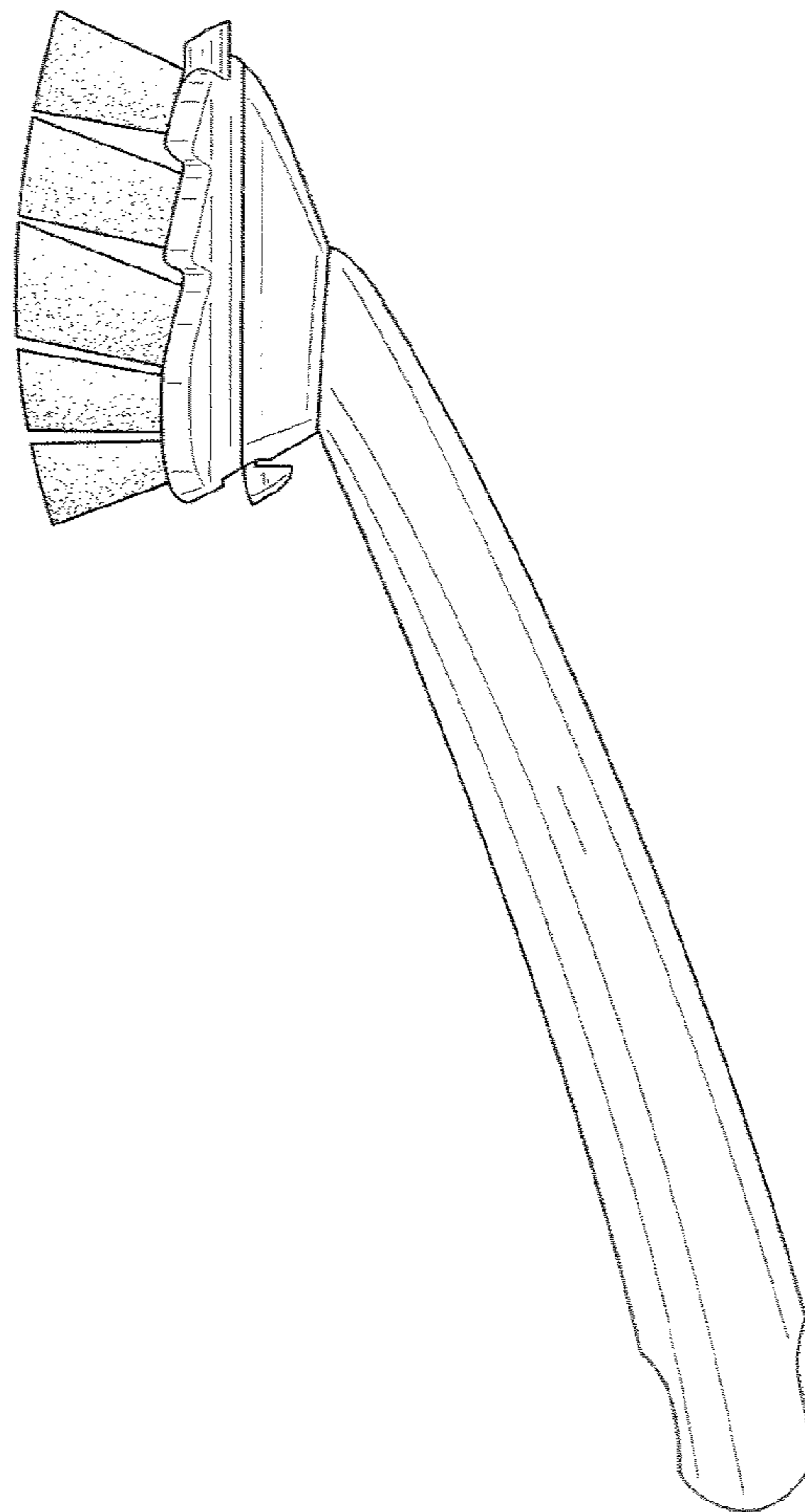


FIG. 5

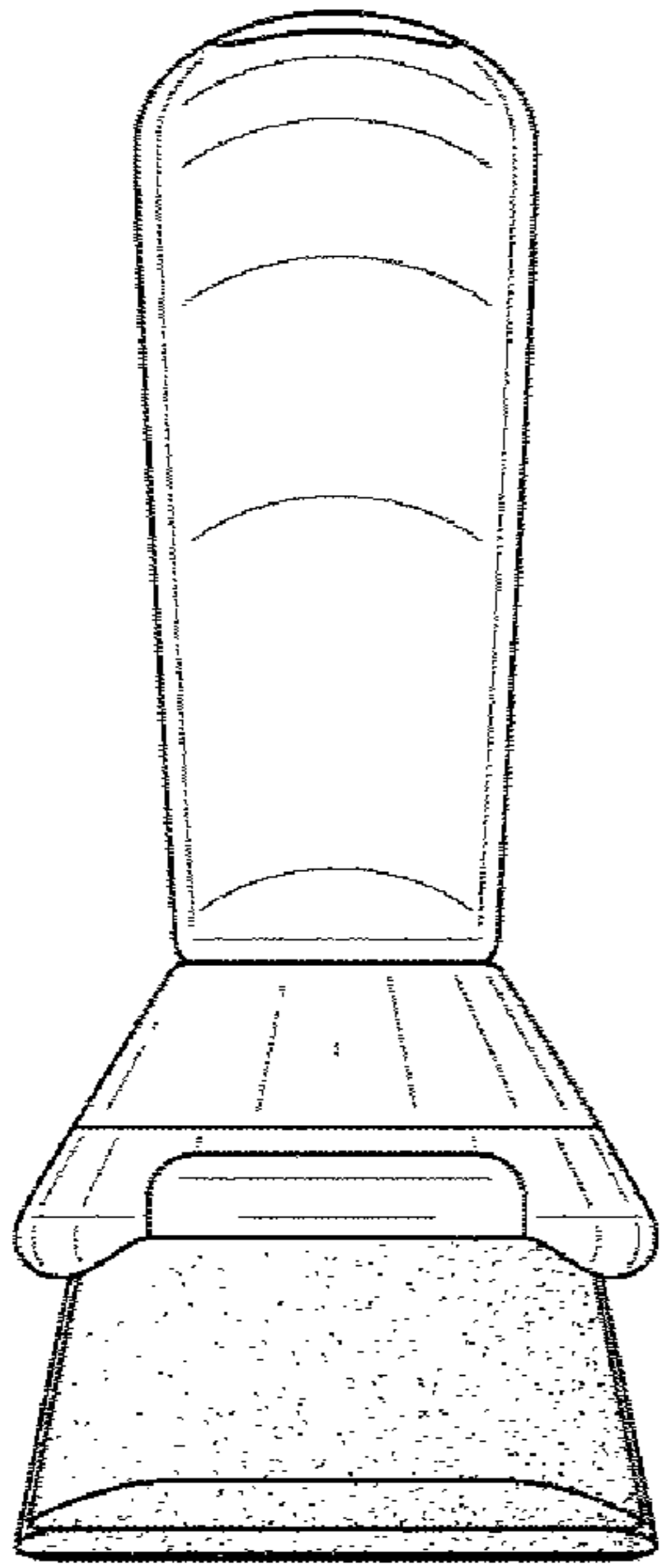


FIG. 6

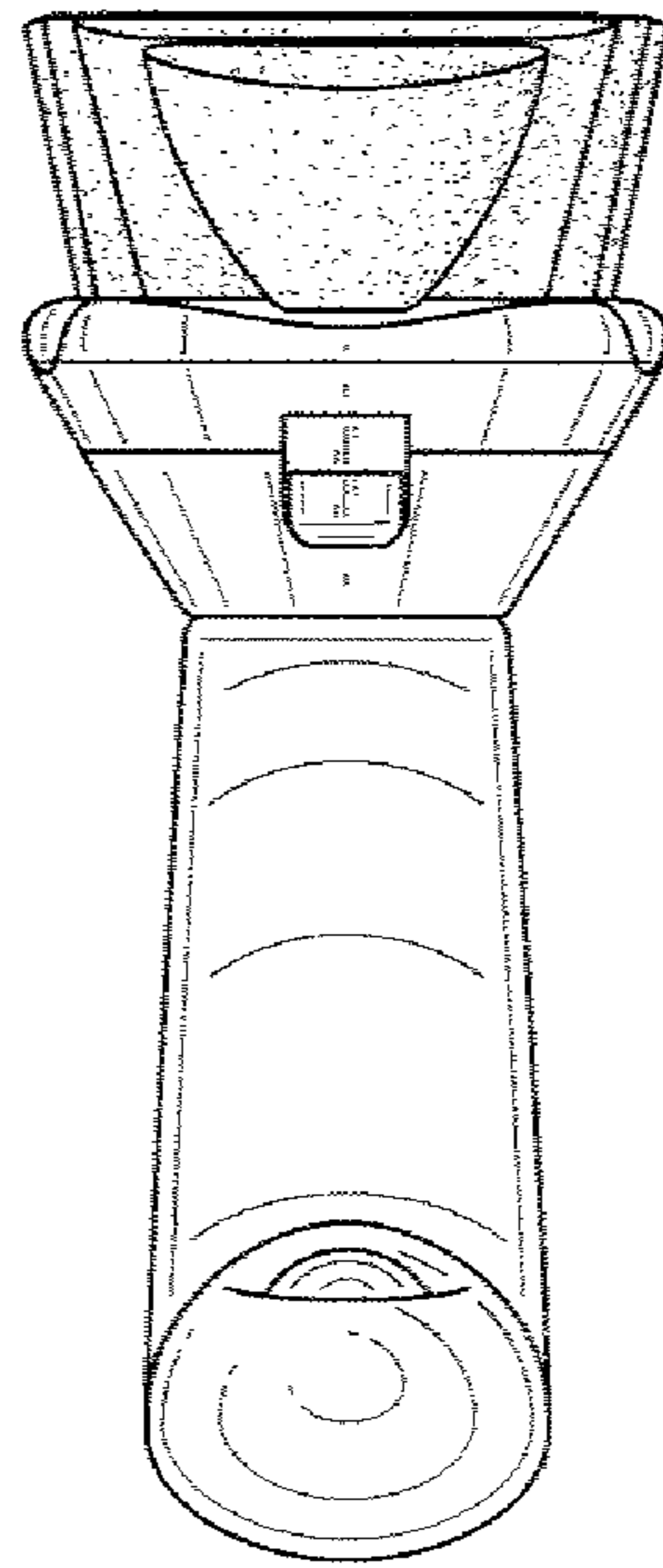


FIG. 7

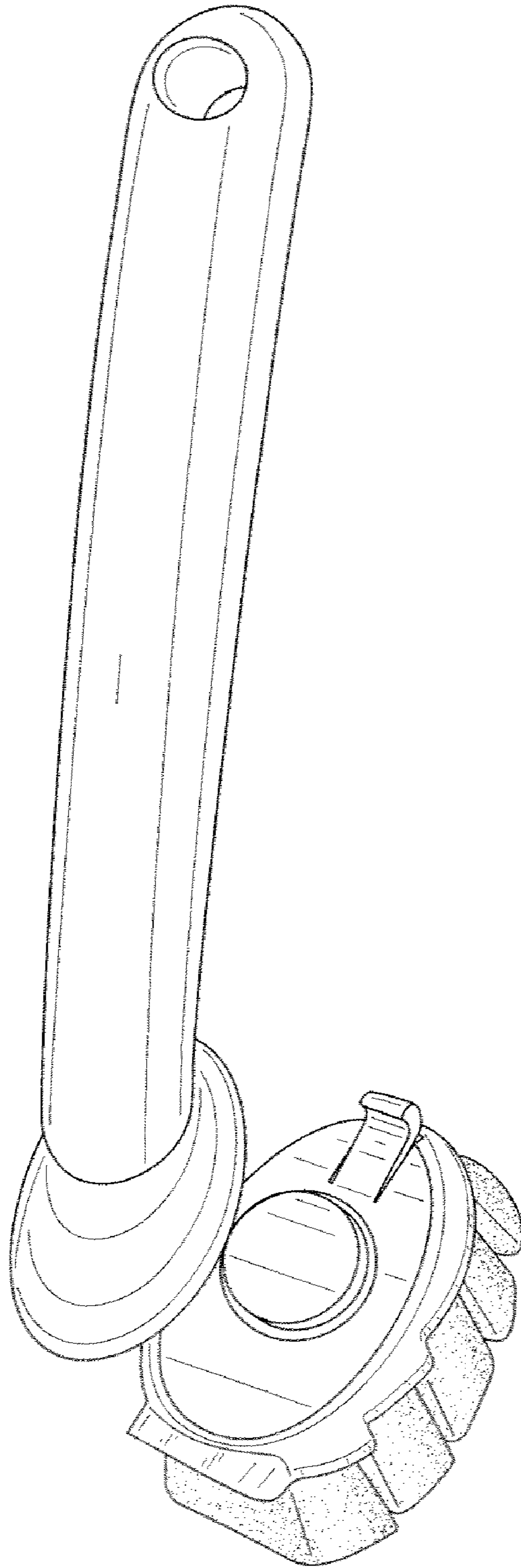


FIG. 8