



US00D659999S

(12) **United States Design Patent**  
**Curry, Jr.**

(10) **Patent No.:** **US D659,999 S**

(45) **Date of Patent:** **\*\* May 22, 2012**

(54) **POCKET HANDKERCHIEF HOLDER**

(76) Inventor: **Rufus Curry, Jr.**, Miramar, FL (US)

(\*\*) Term: **14 Years**

(21) Appl. No.: **29/393,629**

(22) Filed: **Jun. 7, 2011**

(51) **LOC (9) Cl.** ..... **03-01**

(52) **U.S. Cl.** ..... **D3/303**

(58) **Field of Classification Search** ..... D3/303,  
D3/201, 215, 224, 226, 247–249; 206/5,  
206/37, 232, 494; D2/742, 857; 224/182–183,  
224/230; 24/3.1, 3.5, 3.7; 2/247, 249, 279  
See application file for complete search history.

5,477,562 A	12/1995	Dixon	
5,544,750 A *	8/1996	Randall	206/494
D459,054 S	6/2002	Kwak	
6,412,118 B1	7/2002	Shanklin	
D492,469 S	7/2004	Broxholm	
6,839,915 B2	1/2005	Yoshimura	
7,107,627 B2	9/2006	Holland	
7,168,137 B1	1/2007	Oustian et al.	
D564,212 S *	3/2008	Swartz et al.	D3/201
D571,099 S *	6/2008	Swartz et al.	D3/201
D600,427 S	9/2009	Hernandez	
D600,890 S	9/2009	Groves	
D601,799 S *	10/2009	Andre et al.	D3/303
2008/0115866 A1	5/2008	Curtis, Jr.	
2008/0184460 A1	8/2008	Jones	

\* cited by examiner

*Primary Examiner* — Catheri Oliver

(74) *Attorney, Agent, or Firm* — Carol N. Green, Esq.

(56) **References Cited**

**U.S. PATENT DOCUMENTS**

2,379,092 A *	6/1945	Maschoff	24/3.5
2,495,012 A *	1/1950	Kugler	24/3.1
D162,008 S *	2/1951	Chase	D3/201
D168,241 S *	11/1952	Stefanakis	D3/205
2,777,133 A	1/1957	Phillips, Jr.	
2,778,080 A *	1/1957	Kernicki	24/3.5
3,704,470 A	12/1972	Beno et al.	
3,741,376 A *	6/1973	Brown et al.	206/5
3,786,520 A	1/1974	Harmon	
4,310,109 A *	1/1982	Coyle	224/230
D297,482 S	9/1988	Nagy	
4,897,900 A	2/1990	Baggett	
5,253,370 A	10/1993	Mead	
5,353,481 A	10/1994	Farris, Jr.	

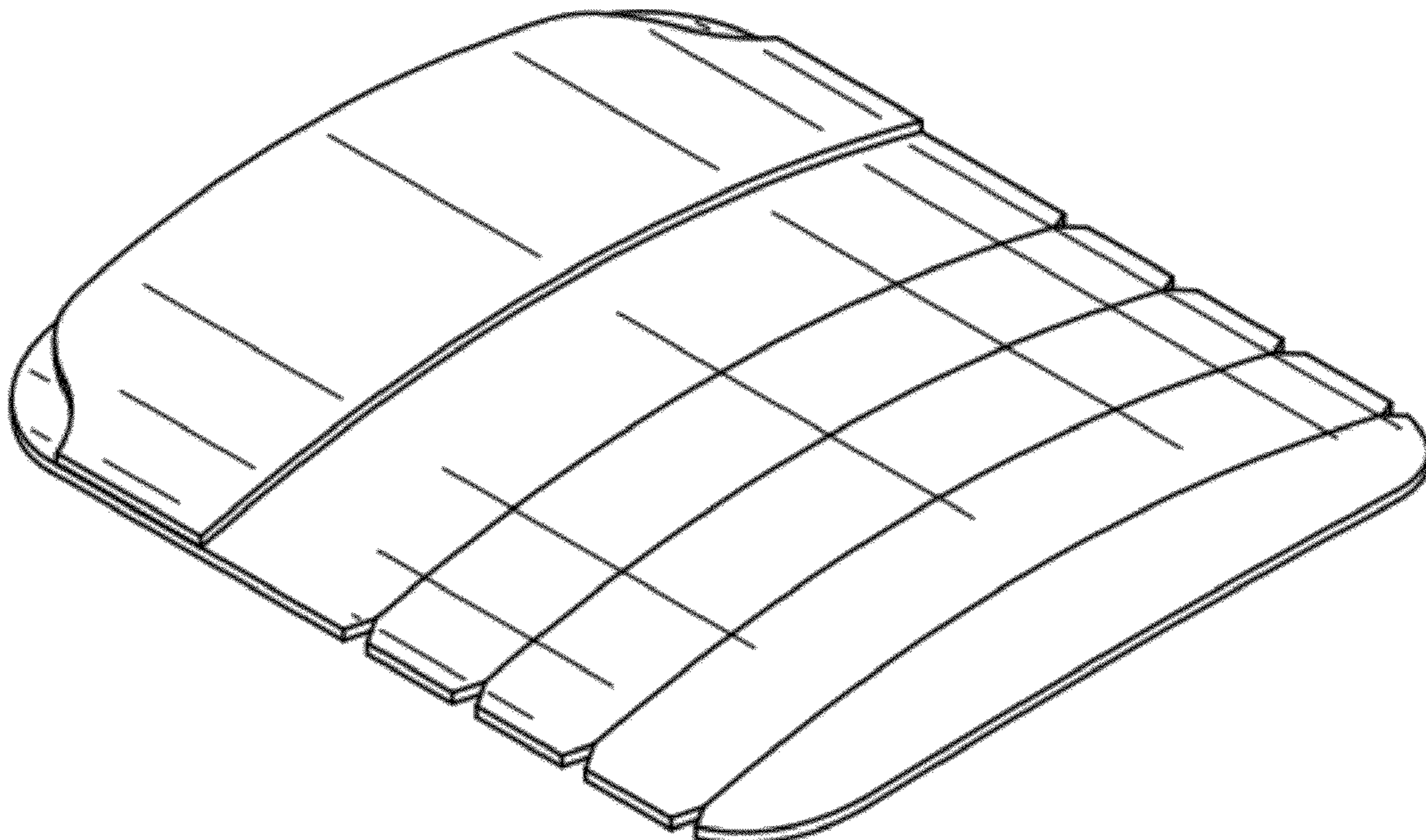
(57) **CLAIM**

The ornamental design for a pocket handkerchief holder, as shown and described.

**DESCRIPTION**

FIG. 1 is a front perspective view of the invention.  
FIG. 2 is a rear perspective view of the invention.  
FIG. 3 is a front view of the invention.  
FIG. 4 is a rear view of the invention.  
FIG. 5 is a side view of the invention.  
FIG. 6 is a top view of the invention; and,  
FIG. 7 is a bottom view of the invention.

**1 Claim, 3 Drawing Sheets**



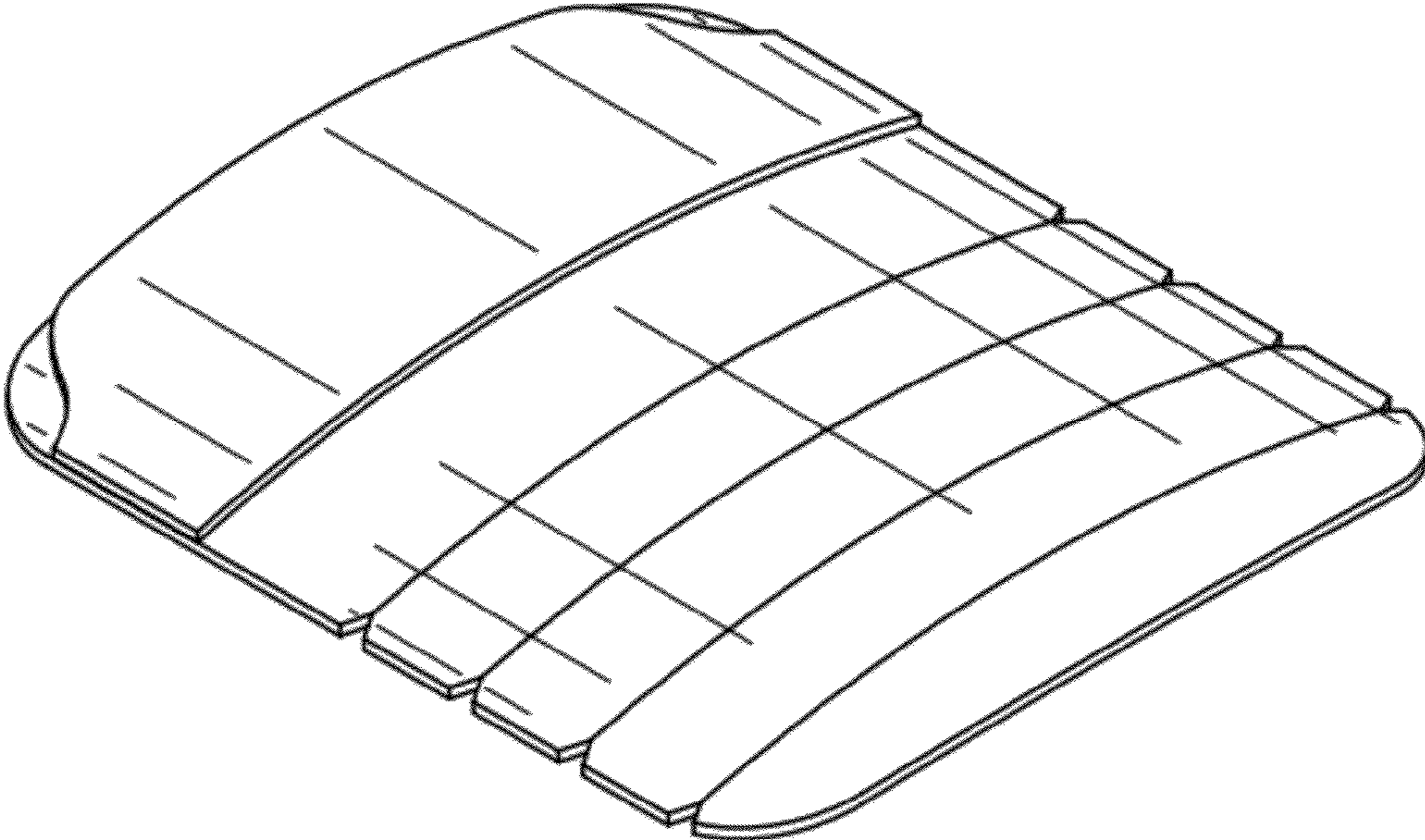


FIG. 1

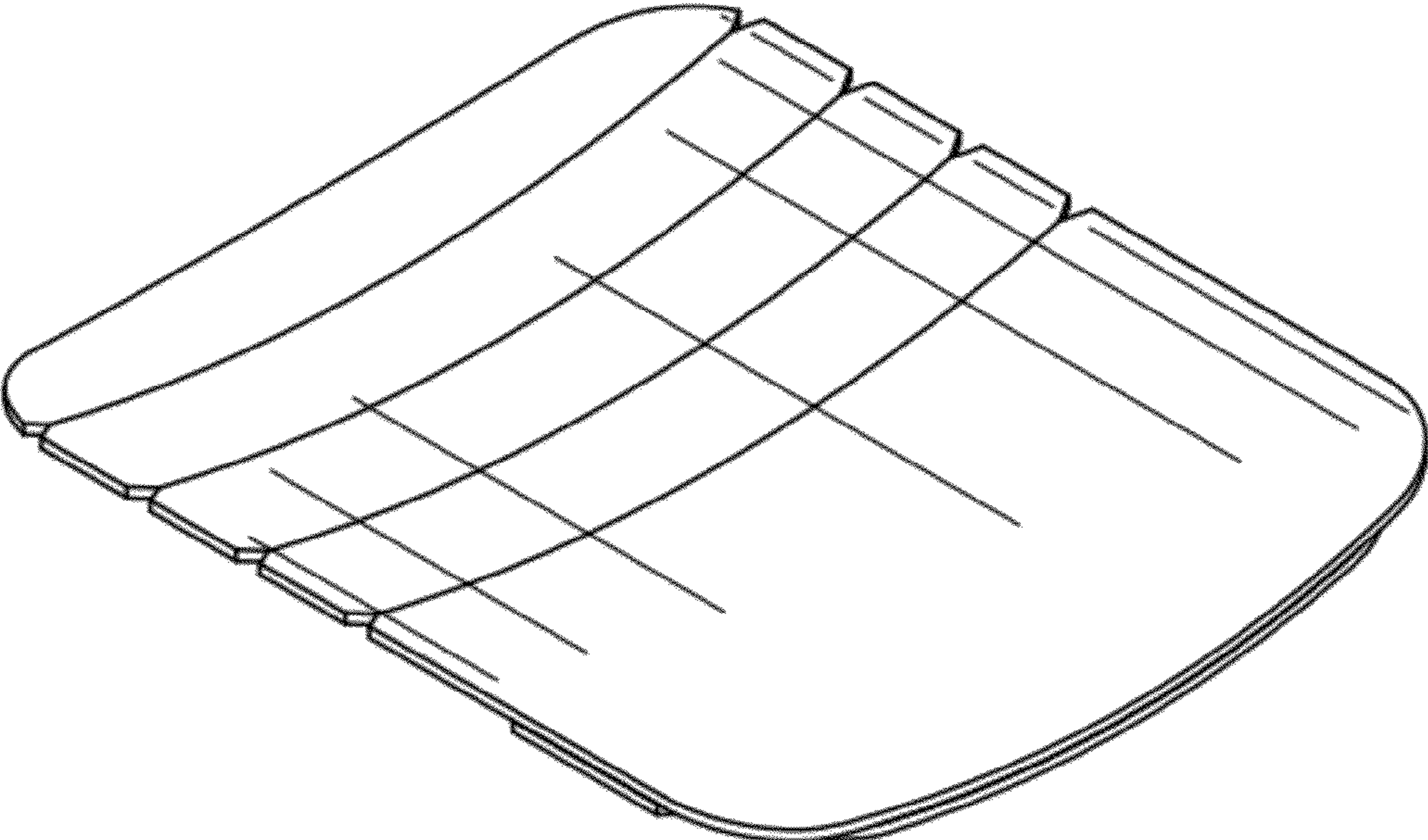


FIG. 2



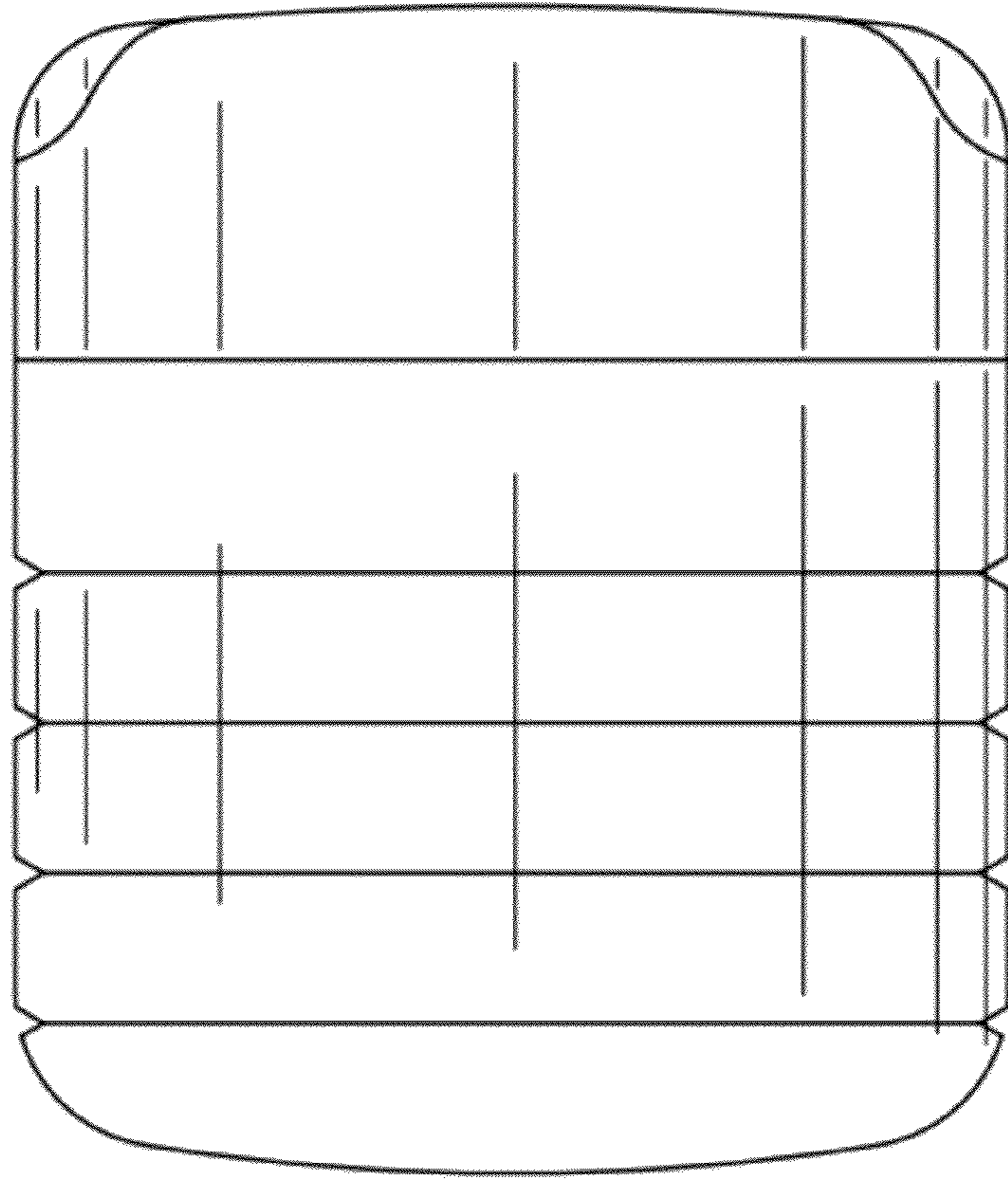


FIG. 3

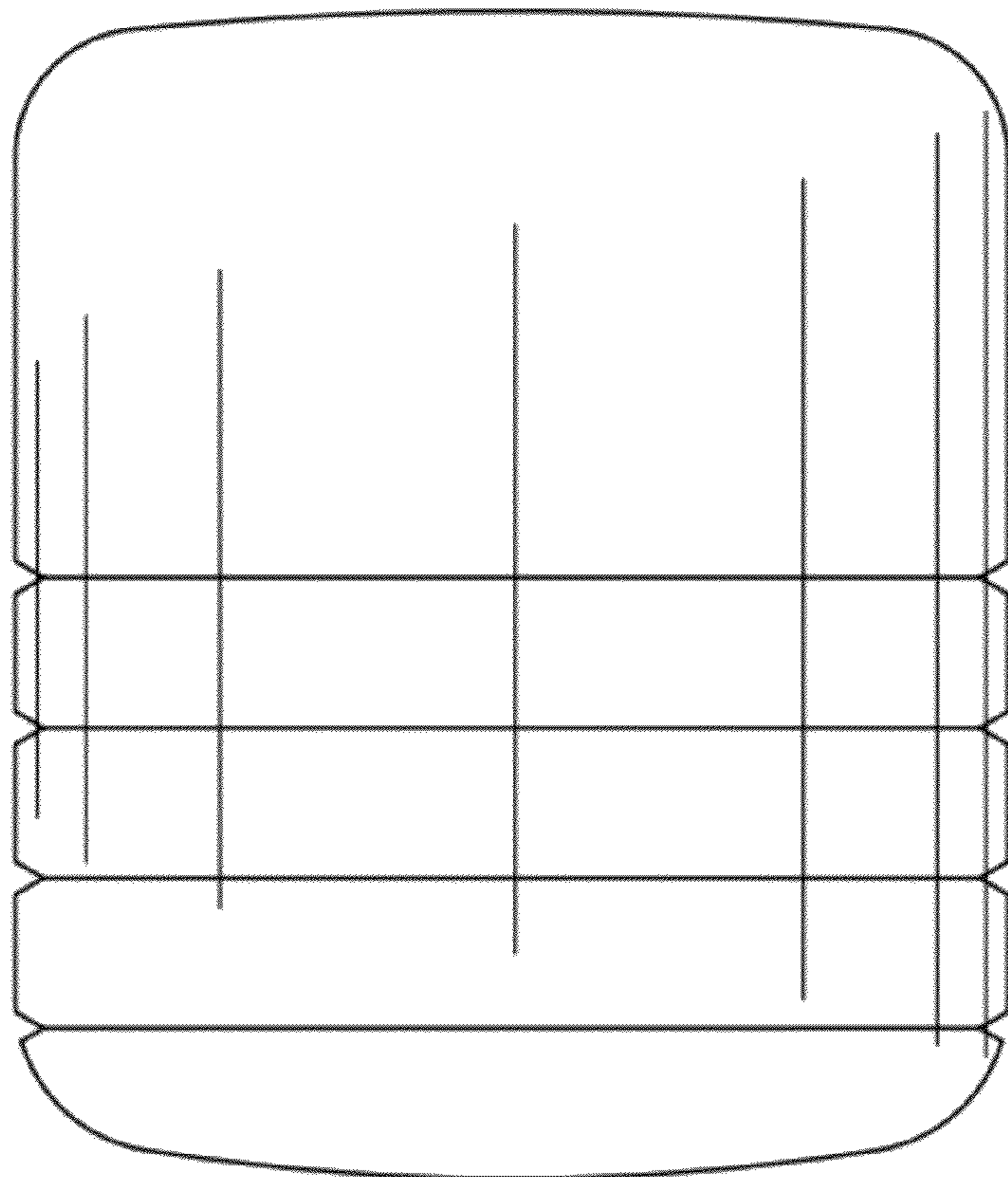


FIG. 4

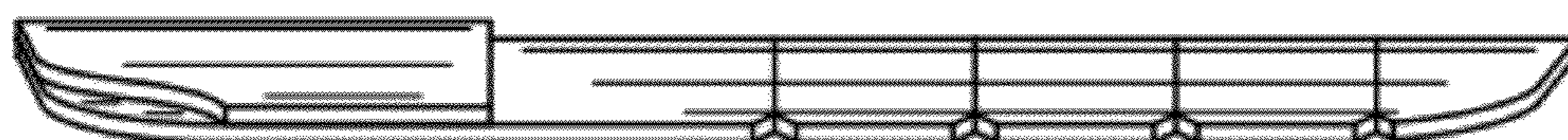


FIG. 5

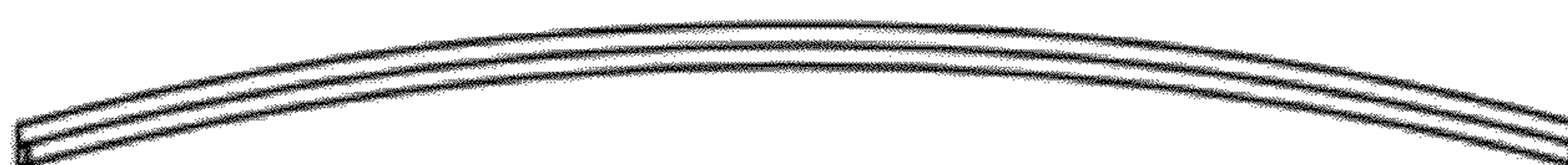


FIG. 6

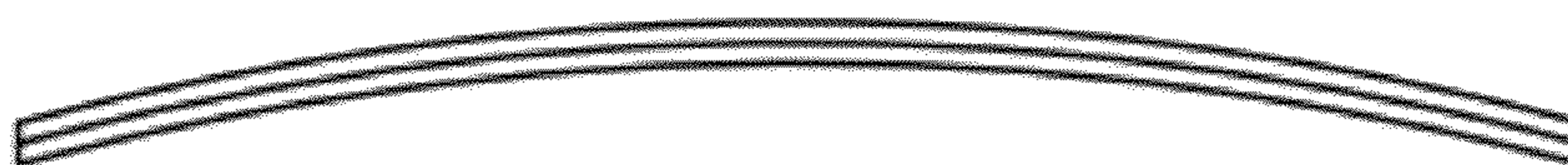


FIG. 7