



US00D659992S

(12) **United States Design Patent**
May

(10) **Patent No.:** **US D659,992 S**

(45) **Date of Patent:** **** May 22, 2012**

(54) **THREE PANEL FOLIO**

(76) Inventor: **Brian May**, Chattanooga, TN (US)

(**) Term: **14 Years**

(21) Appl. No.: **29/387,227**

(22) Filed: **Mar. 10, 2011**

(51) **LOC (9) Cl.** **03-01**

(52) **U.S. Cl.** **D3/206**

(58) **Field of Classification Search** D3/204,
D3/218, 226, 230, 232, 243, 245, 246, 247,
D3/249, 272, 273, 275, 276, 283–285, 289,
D3/290, 299, 303, 315; 206/373–375; 383/39,
383/38, 40, 119; D6/596; 5/413 R; D14/250–252,
D14/203.4, 203.6

See application file for complete search history.

(56) **References Cited**

U.S. PATENT DOCUMENTS

D442,781 S * 5/2001 Snider D3/299
D471,011 S * 3/2003 Kowalsky D3/299
7,171,707 B2 * 2/2007 Landay 5/413 R
D596,842 S * 7/2009 Cooper D3/205

D617,600 S * 6/2010 Corneh et al. D6/596
D632,078 S * 2/2011 Schmitz D3/299
D652,215 S * 1/2012 Baas et al. D3/303

* cited by examiner

Primary Examiner — Ian Simmons

Assistant Examiner — Charles Hanson

(74) *Attorney, Agent, or Firm* — Stephen J. Stark; Miller & Martin PLLC

(57) **CLAIM**

The ornamental design for a three panel folio, as is shown and described herein.

DESCRIPTION

FIG. 1 is a perspective view of a three panel folio, showing my new design;

FIG. 2 is a front side elevational view thereof;

FIG. 3 is a bottom elevational view thereof;

FIG. 4 is a top elevational view;

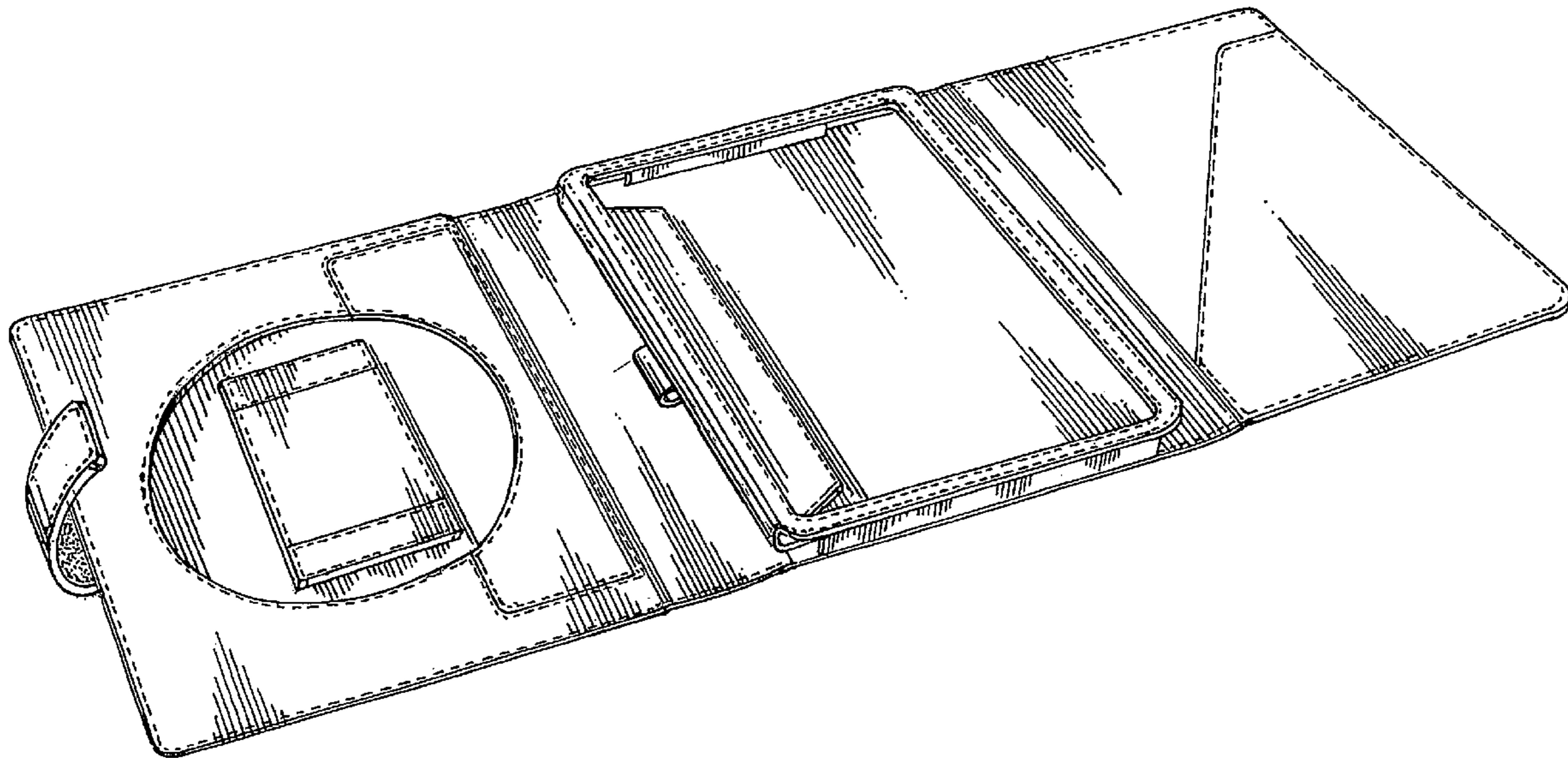
FIG. 5 is a back elevational view thereof;

FIG. 6 is a left side elevational view thereof; and,

FIG. 7 is a right side elevational view thereof.

The dashed lines in the drawings illustrate stitching.

1 Claim, 3 Drawing Sheets



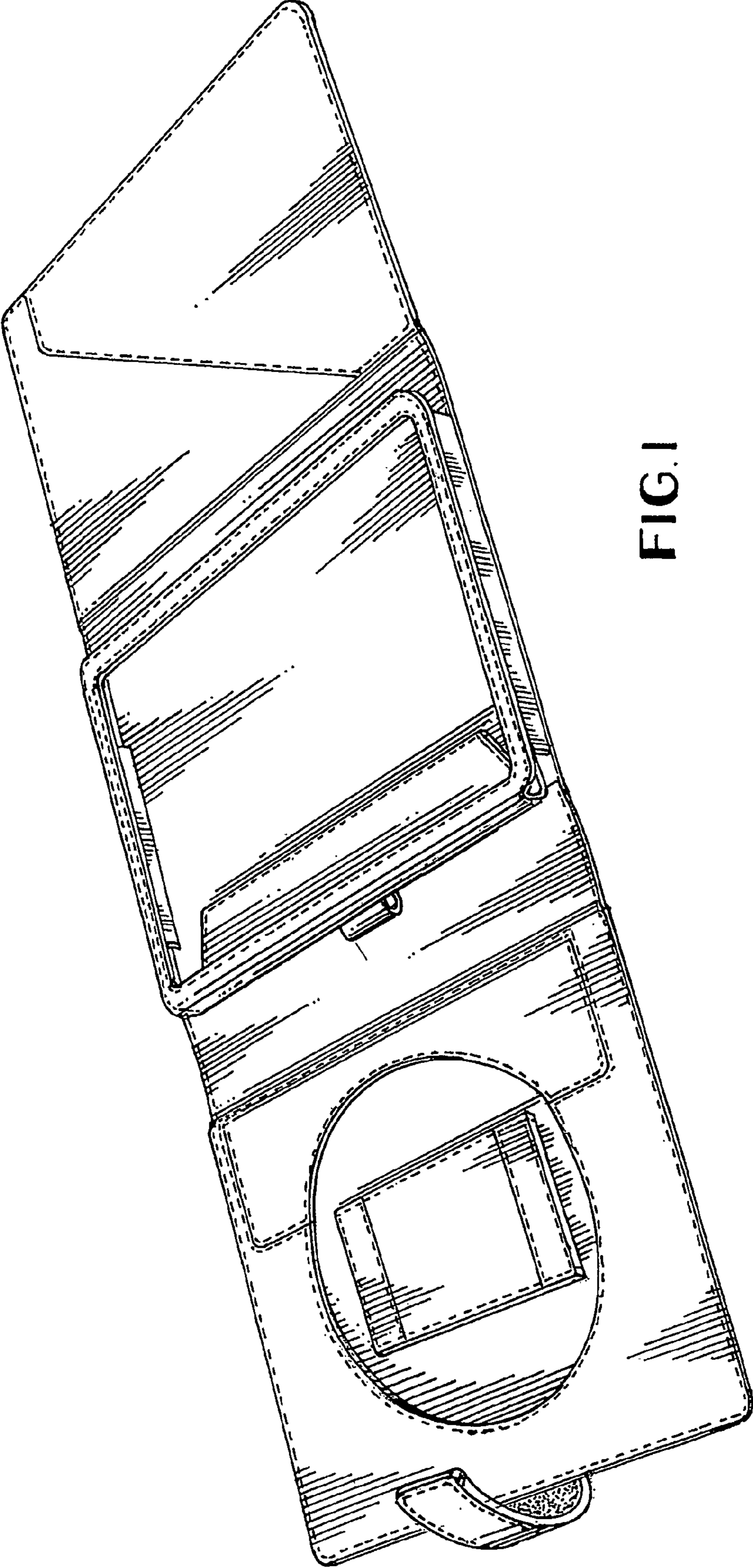


FIG. 1

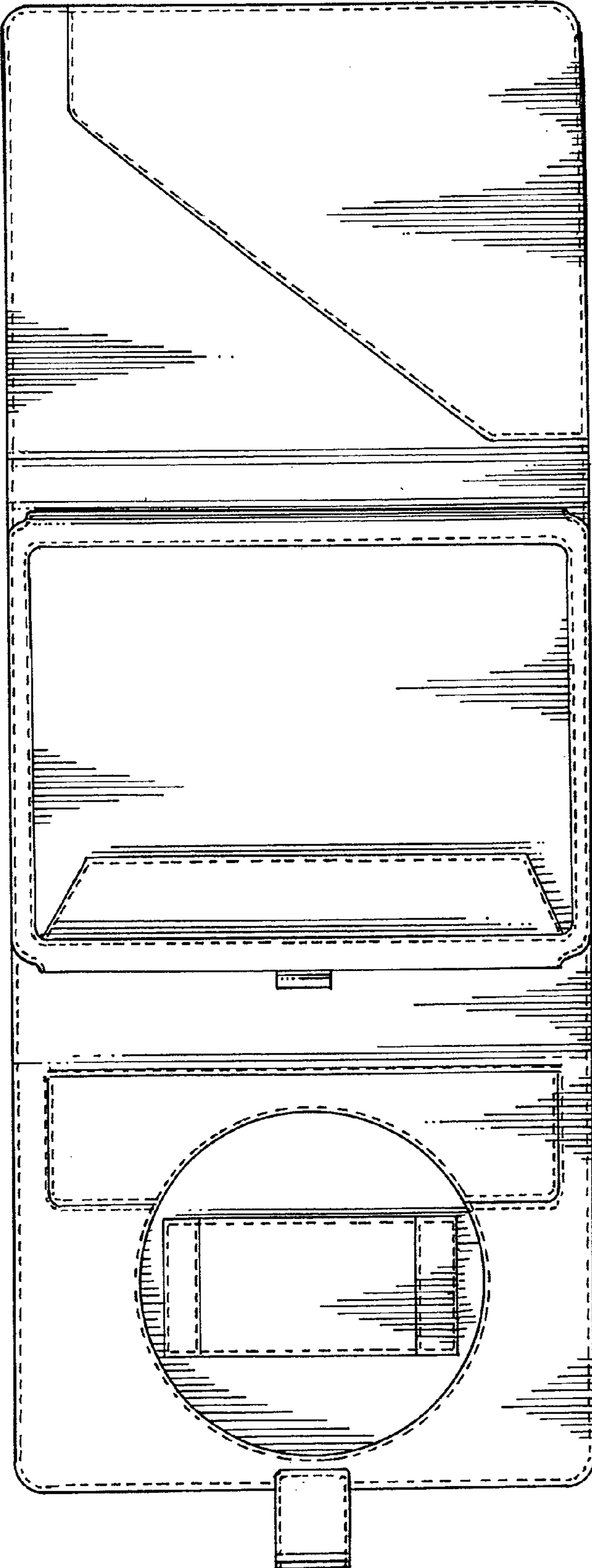


FIG. 2

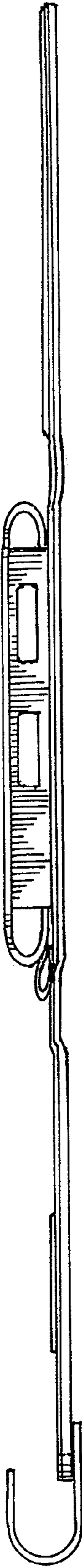


FIG. 3

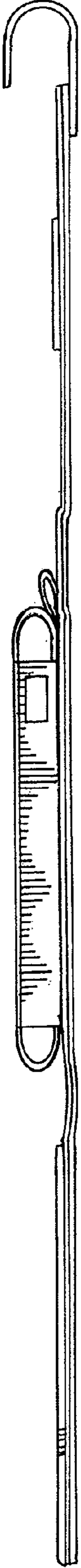


FIG. 4

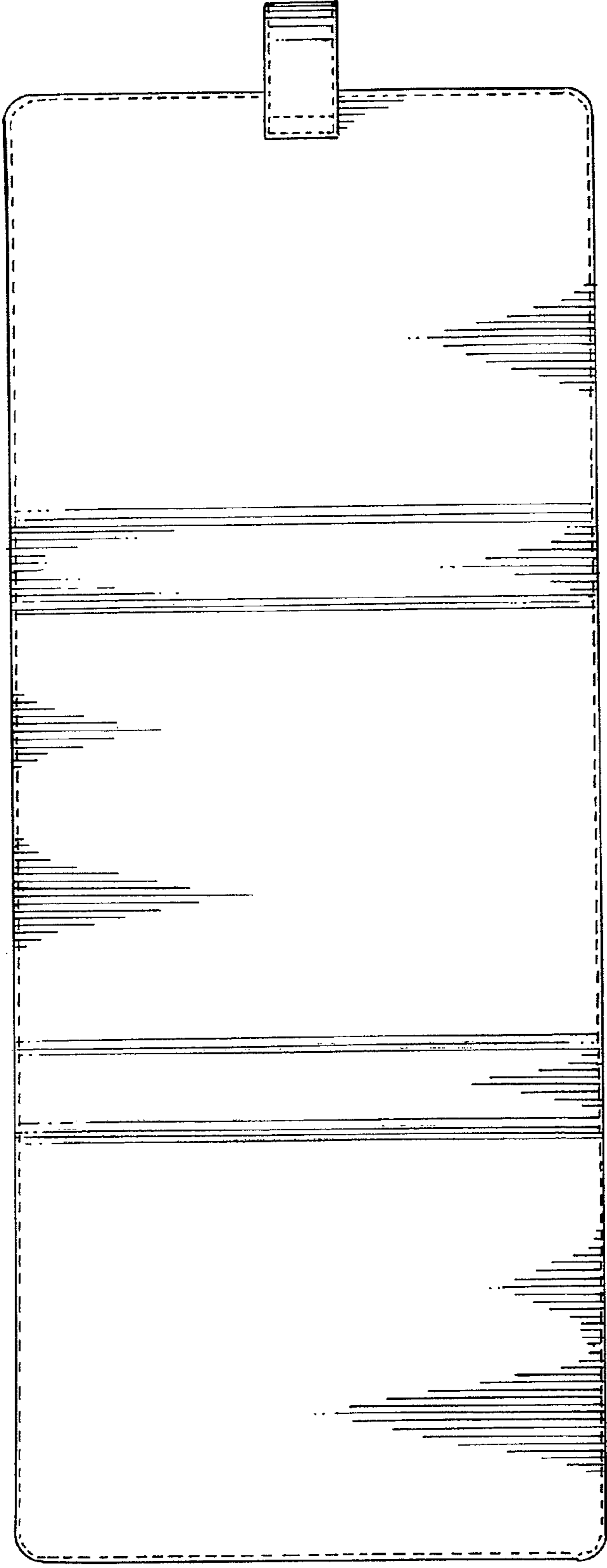


FIG. 5

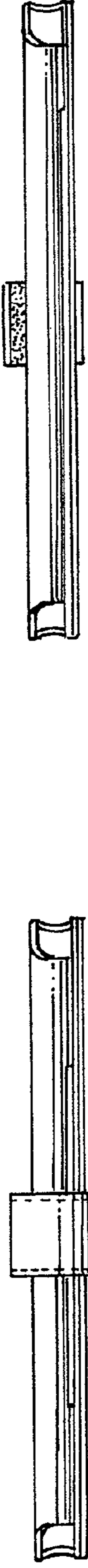


FIG. 6

FIG. 7