



US00D659991S

(12) **United States Design Patent**
Long, Jr. et al.

(10) **Patent No.:** **US D659,991 S**

(45) **Date of Patent:** **** May 22, 2012**

(54) **MULTI-WEIGHT CASE**

(75) Inventors: **Thomas A. Long, Jr.**, Hockessin, DE
(US); **Joy Lynn Cottrill**, Verona, PA
(US)

(73) Assignee: **Henry Troemner LLC**, Thorofare, NJ
(US)

(**) Term: **14 Years**

(21) Appl. No.: **29/407,423**

(22) Filed: **Nov. 29, 2011**

Related U.S. Application Data

(62) Division of application No. 29/384,555, filed on Feb. 1, 2011, now Pat. No. Des. 649,341, which is a division of application No. 29/335,594, filed on Apr. 17, 2009, now Pat. No. Des. 634,115.

(51) **LOC (9) Cl.** **03-01**

(52) **U.S. Cl.** **D3/201**

(58) **Field of Classification Search** D3/201,
D3/205, 272–273, 294–295, 301; D9/418,
D9/420, 426, 428, 432; 206/37, 229, 320,
206/363, 557; 220/810, 825, 833–835; D28/82

See application file for complete search history.

(56) **References Cited**

U.S. PATENT DOCUMENTS

D398,842 S	9/1998	Rohrig
D454,429 S	3/2002	Hussanini et al.
D548,970 S	8/2007	Huang
D604,501 S	11/2009	Lee
D620,257 S	7/2010	Fujimura et al.

Primary Examiner — Catheri Oliver

(74) *Attorney, Agent, or Firm* — Volpe and Koenig, P.C.

(57) **CLAIM**

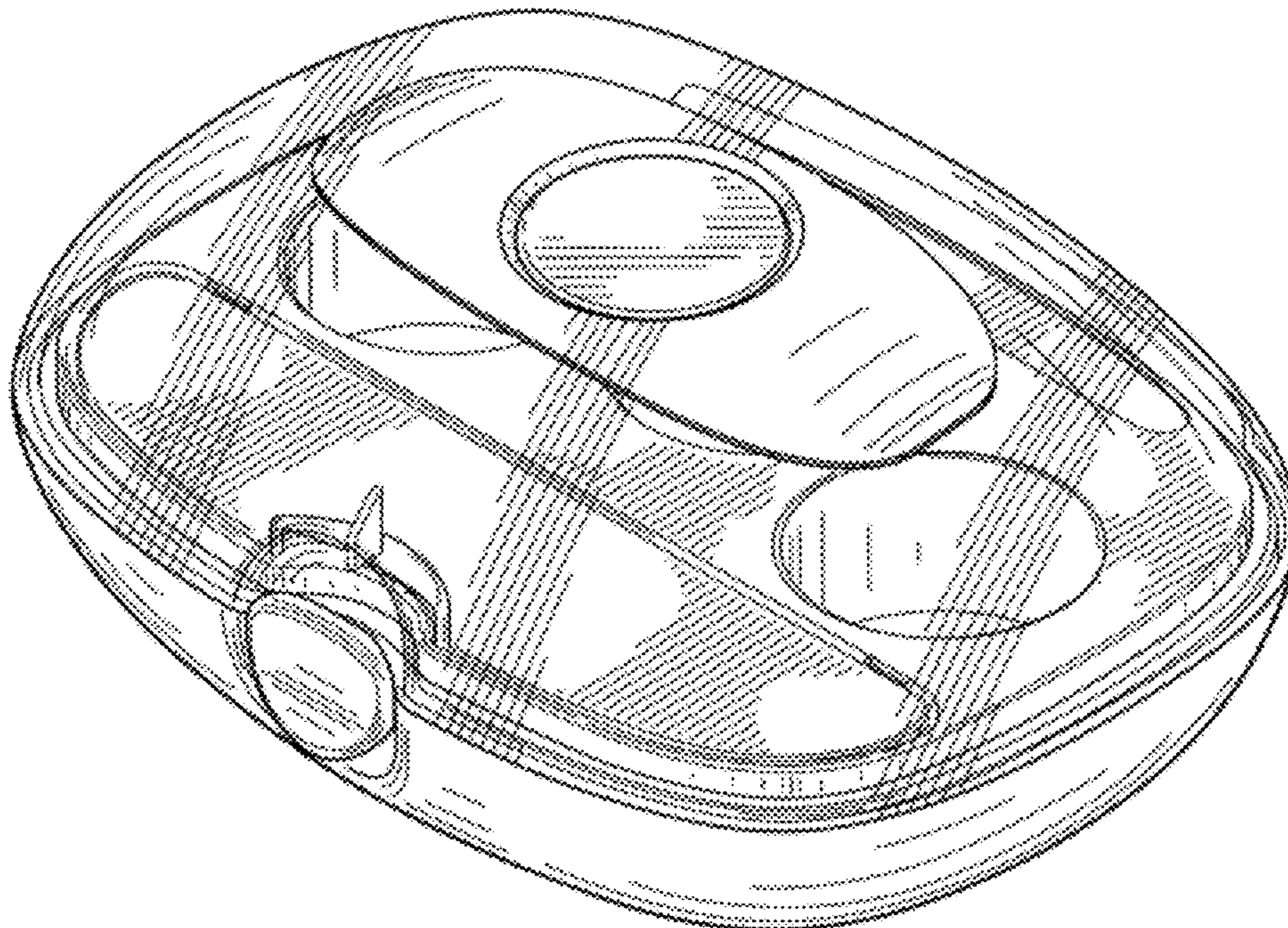
We claim the ornamental design for a multi-weight case, as shown and described.

DESCRIPTION

FIG. 1 is a top, front, right perspective view of a multi-weight case according to our design;
FIG. 2 is a top plan view thereof;
FIG. 3 is a bottom view thereof;
FIG. 4 is a front elevational view thereof;
FIG. 5 is a rear view thereof;
FIG. 6 is a right side elevational view thereof;
FIG. 7 is a left side elevational view thereof;
FIG. 8 is a cross-sectional view taken along line 8-8 in FIG. 4 in order to illustrate the depth of certain recesses in the multi-weight case, with the broken lines forming no part of the claimed design; and,
FIG. 9 is a top, front, right perspective view thereof illustrating an alternate position of the multi-weight case of FIGS. 1-8.

The broken lines in the drawings form no part of the claimed design.

1 Claim, 8 Drawing Sheets



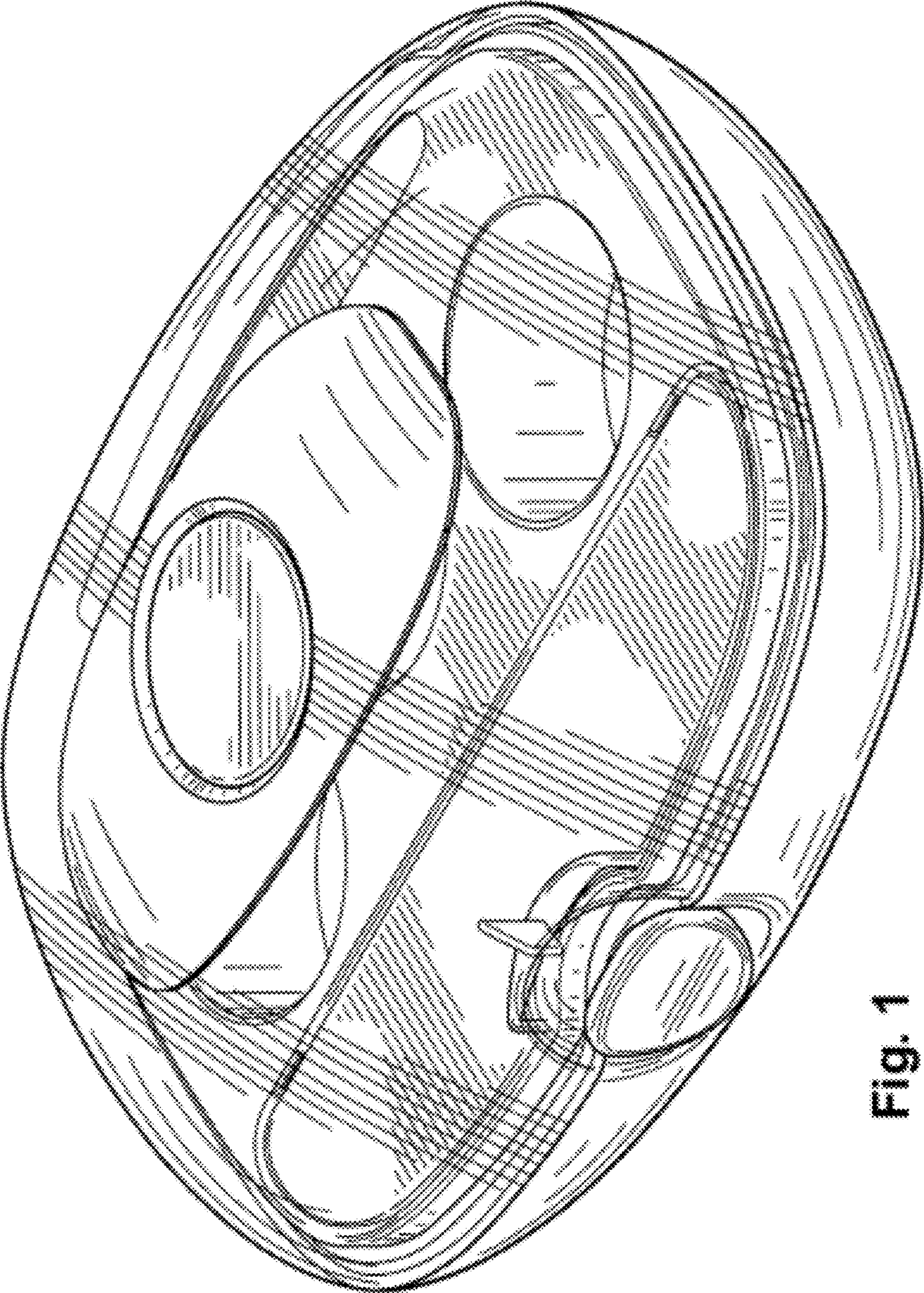


Fig. 1

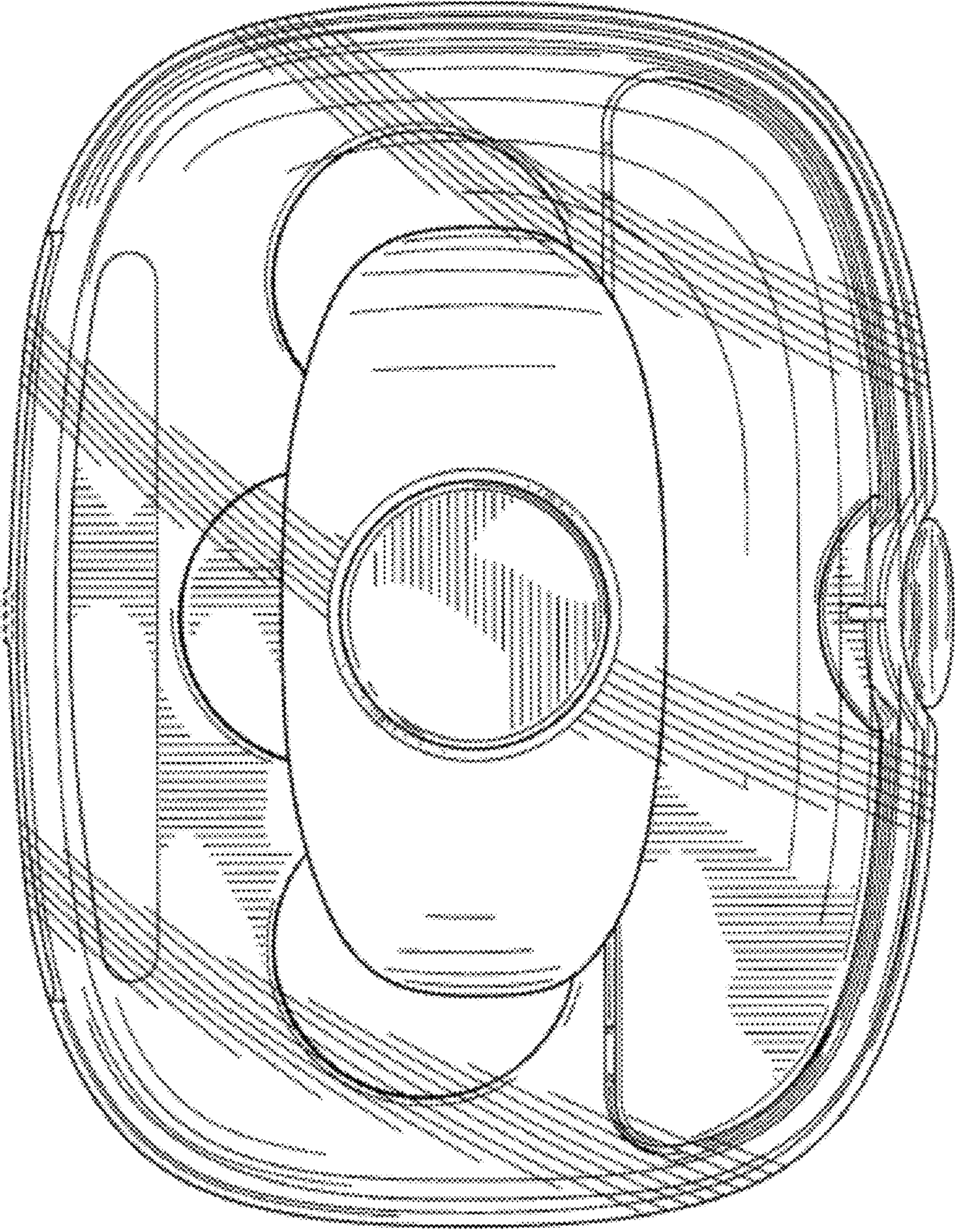


Fig. 2

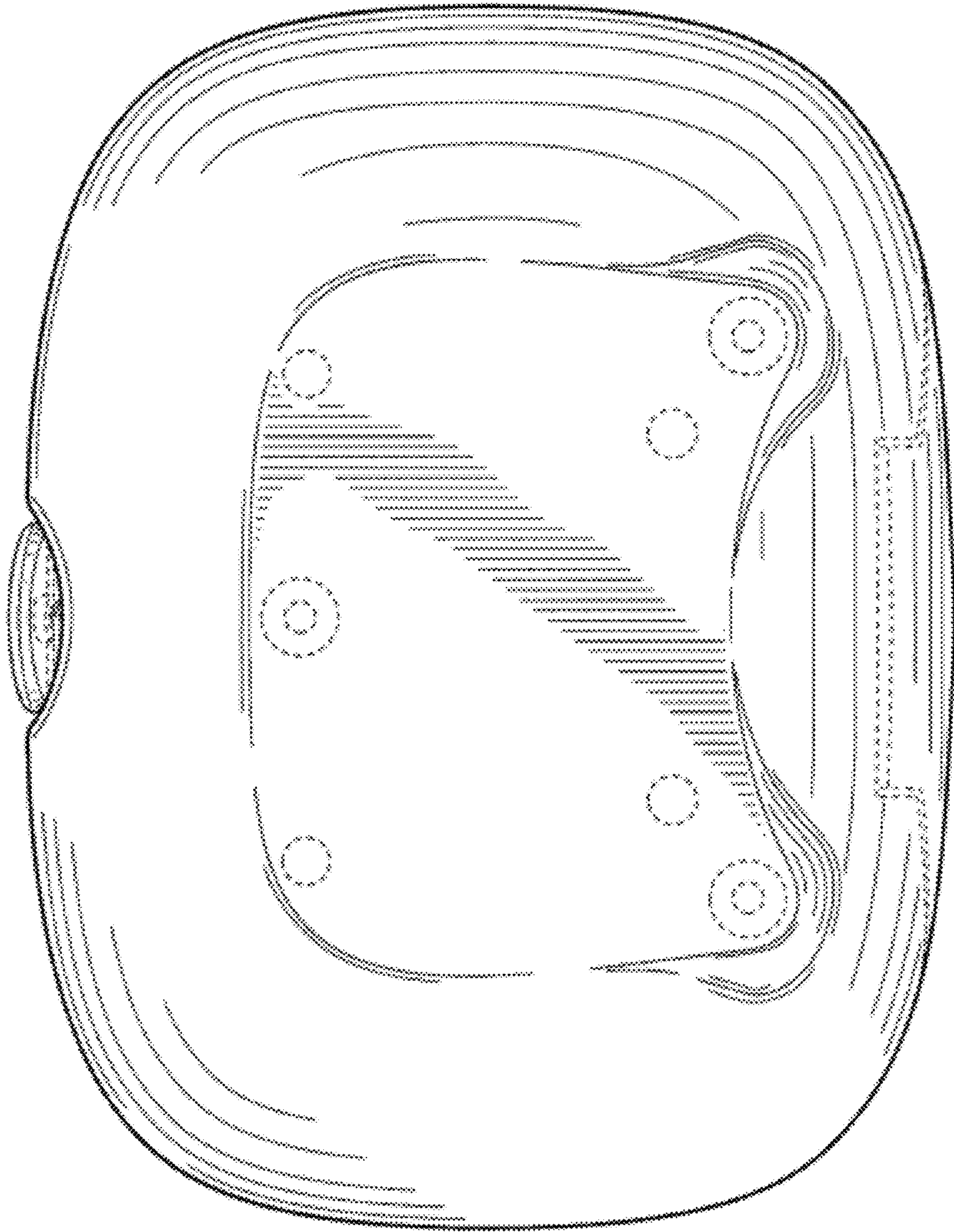


Fig. 3

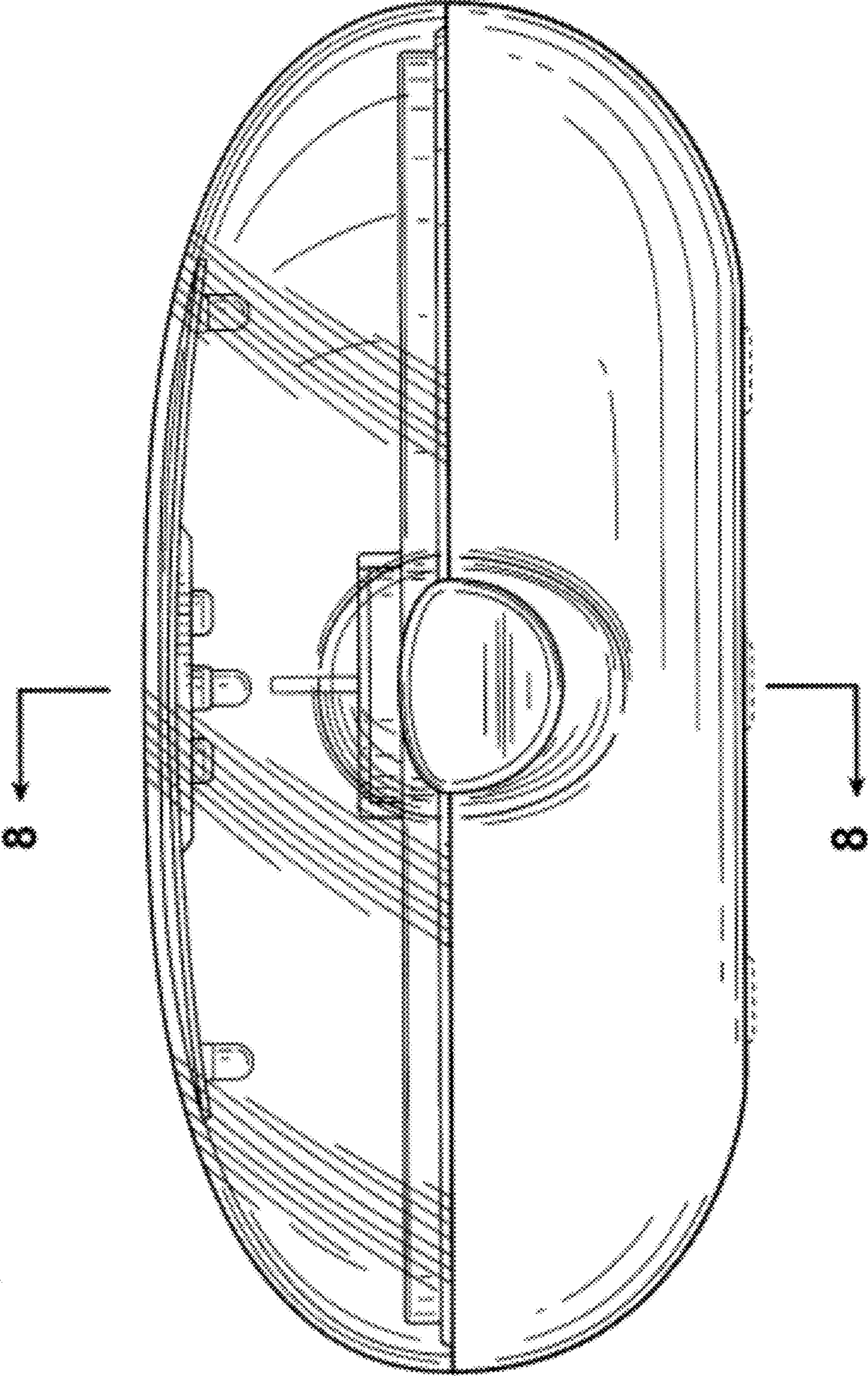


Fig. 4

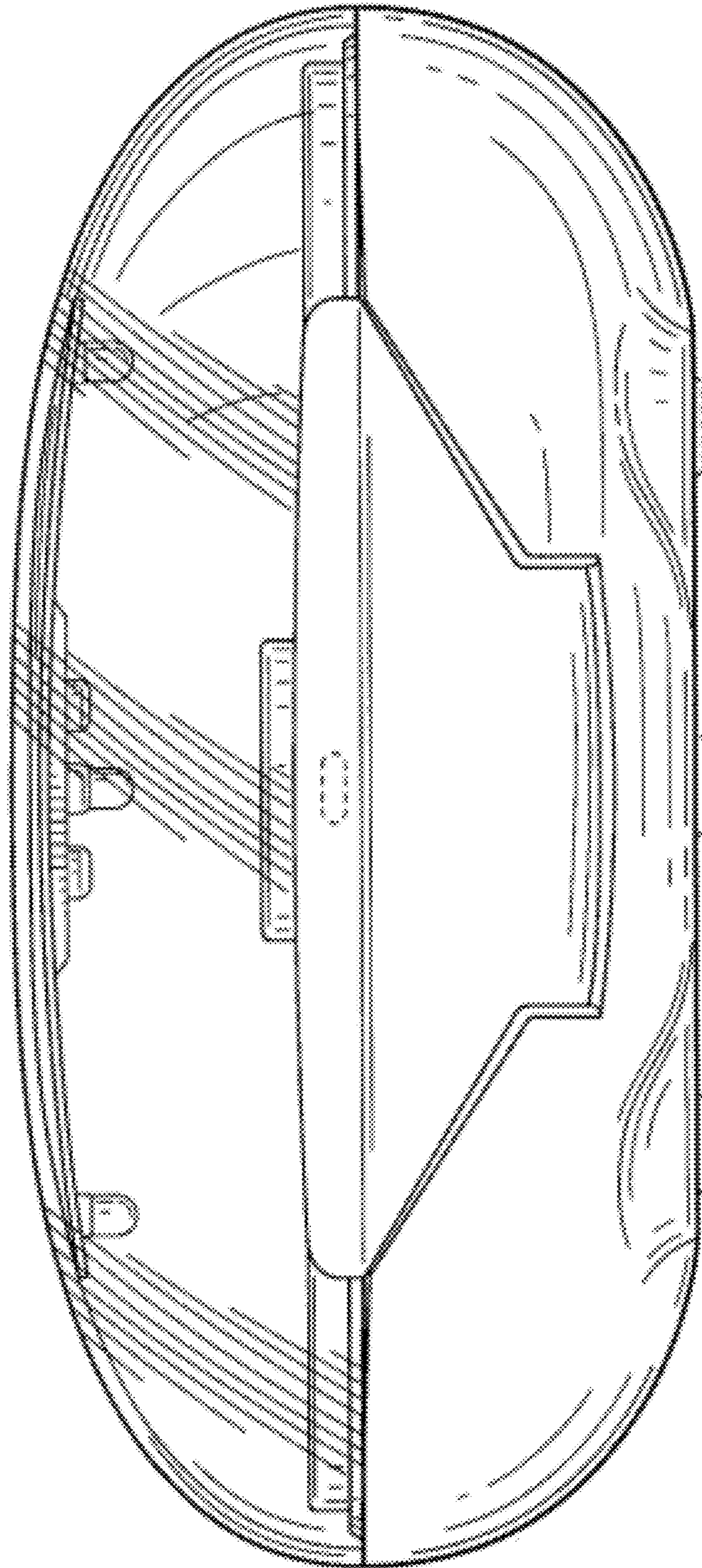


Fig. 5

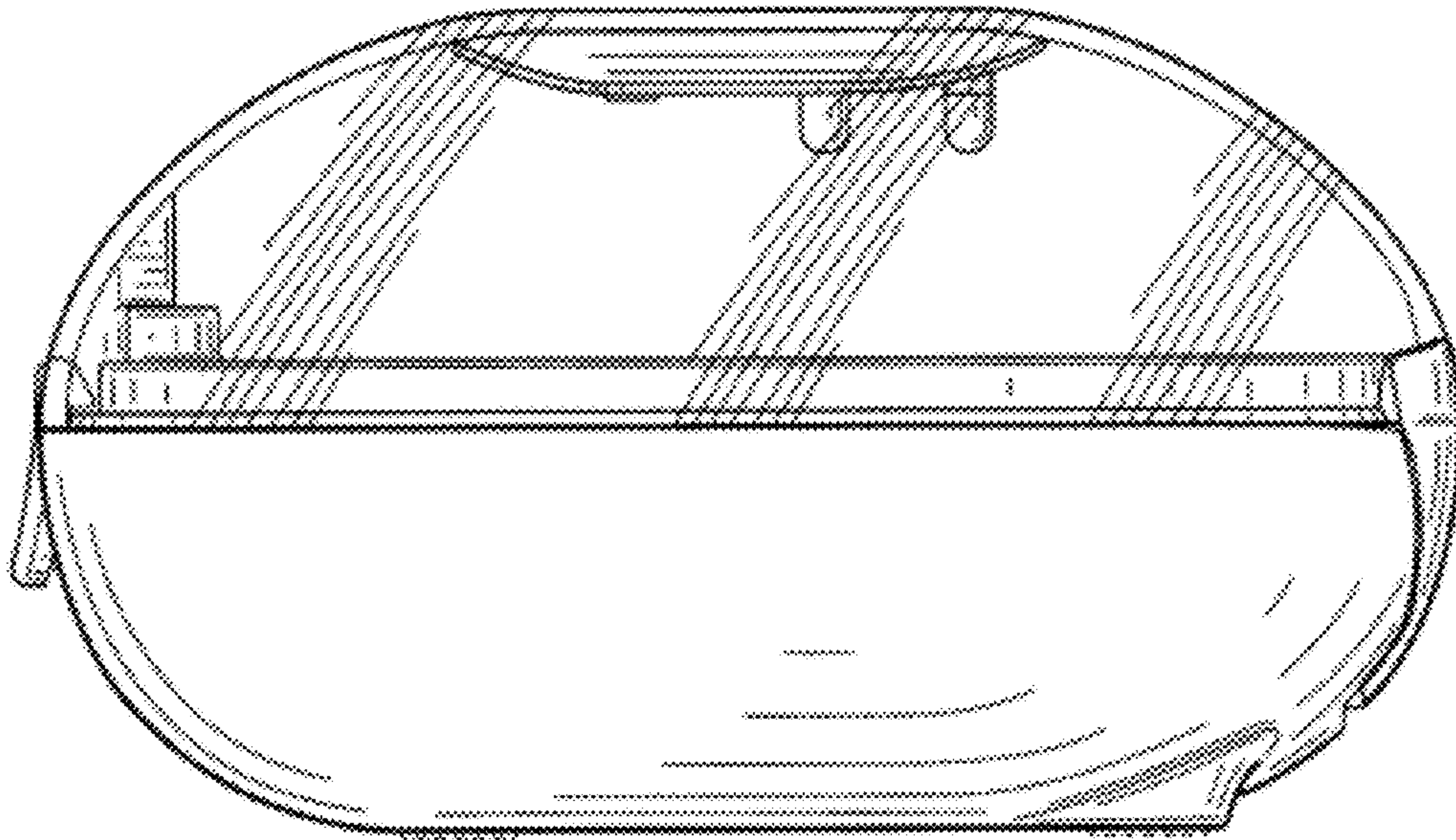


Fig. 6

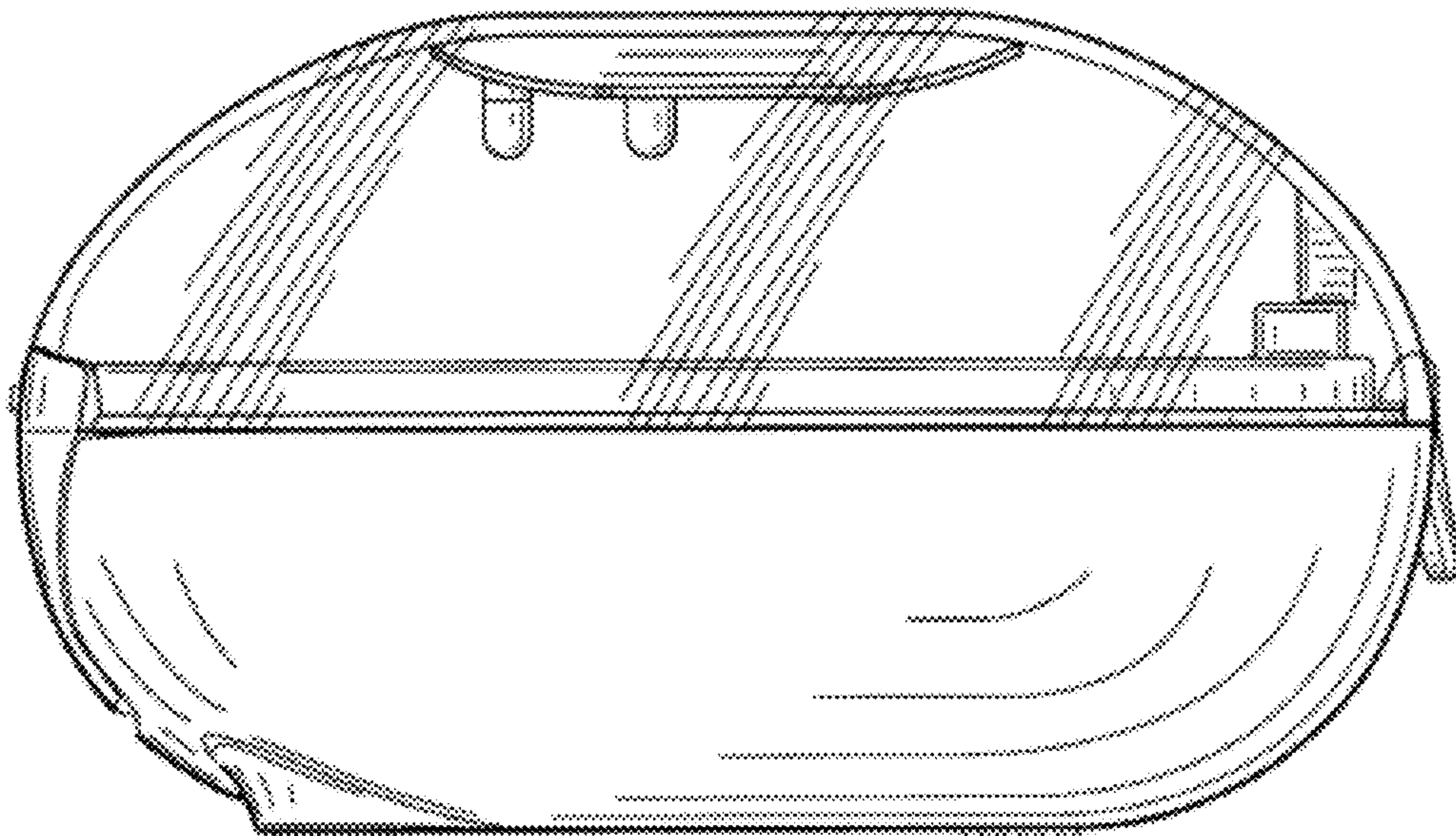


Fig. 7

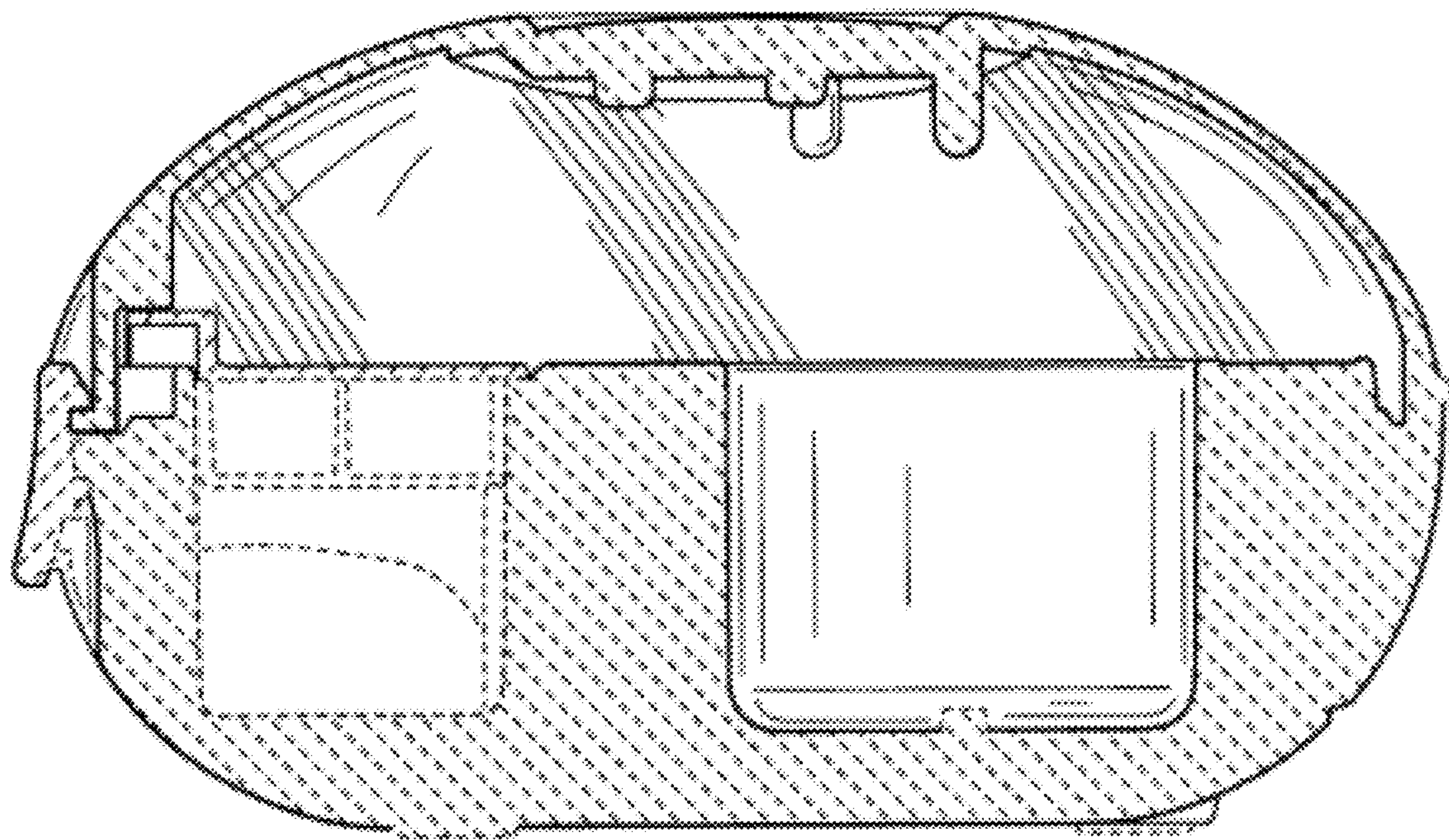


Fig. 8

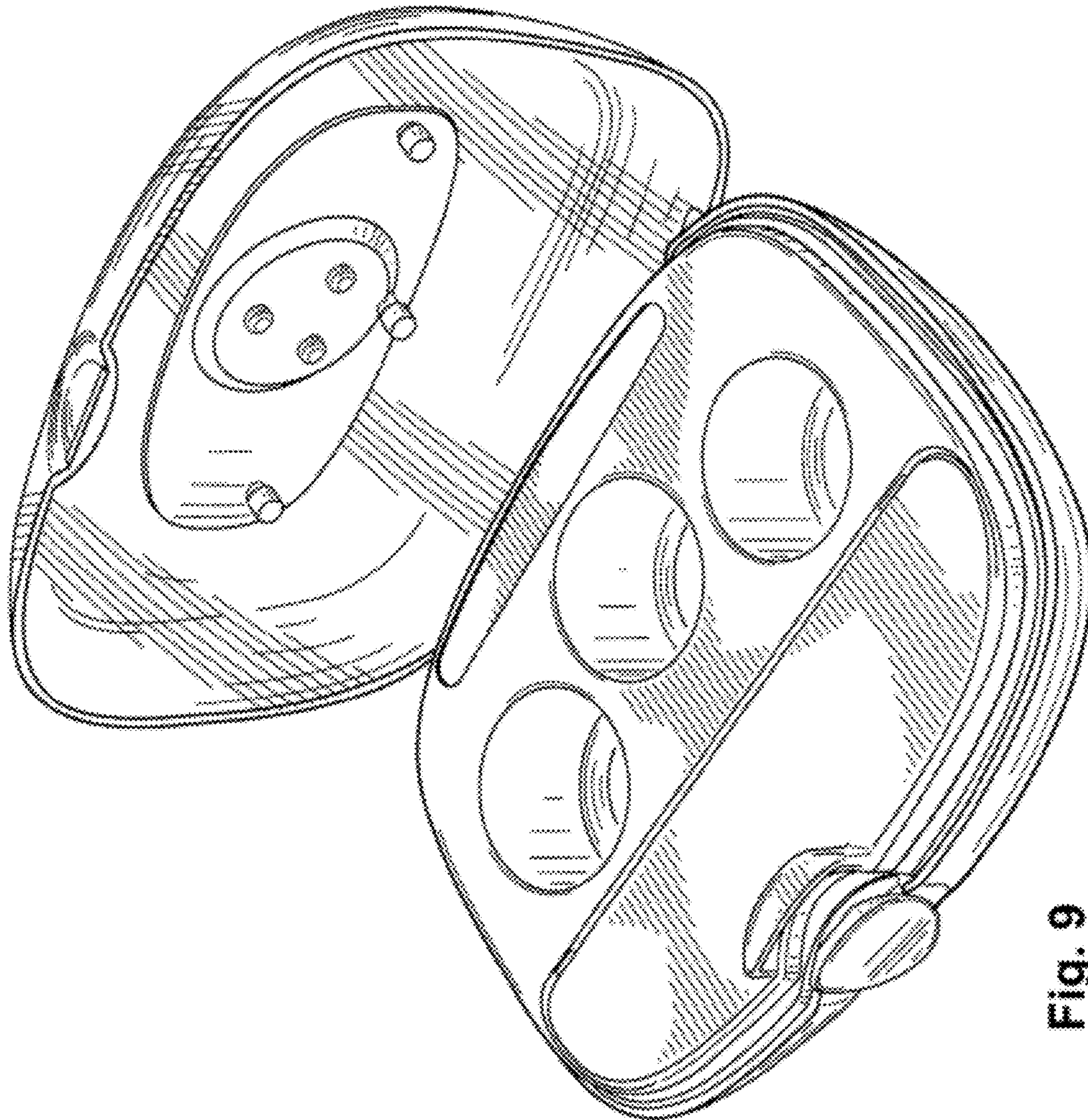


Fig. 9