



US00D659966S

(12) **United States Design Patent**
Lo

(10) **Patent No.:** **US D659,966 S**

(45) **Date of Patent:** **** May 22, 2012**

(54) **SHOE SOLE**

(75) Inventor: **Jung-Yueh Lo, Taipei (TW)**

(73) Assignee: **Shui-Mu International Company Ltd., Taipei (TW)**

(**) Term: **14 Years**

(21) Appl. No.: **29/382,084**

(22) Filed: **Dec. 29, 2010**

(30) **Foreign Application Priority Data**

Sep. 30, 2010 (TW) 99304969

(51) **LOC (9) Cl.** **02-04**

(52) **U.S. Cl.** **D2/957; D2/951; D2/954**

(58) **Field of Classification Search** D2/902,
D2/906, 908, 916, 918, 925, 946-962, 977;
36/3 B, 22 R, 24.5, 25 R, 28, 32 R, 34 R,
36/59 C, 67 A, 103

See application file for complete search history.

(56) **References Cited**

U.S. PATENT DOCUMENTS

D247,831 S * 5/1978 Famolare, Jr. D2/955
D256,179 S * 8/1980 Famolare, Jr. D2/955
D262,327 S * 12/1981 Foster D2/955

D394,940 S * 6/1998 Vint D2/955
D435,333 S * 12/2000 Robbins et al. D2/957
D466,682 S * 12/2002 Ortuno Santa D2/954
D468,517 S * 1/2003 Recchi et al. D2/954
D548,438 S * 8/2007 McClaskie D2/958
D605,838 S * 12/2009 Foust D2/957
D605,839 S * 12/2009 Horton D2/959
D613,489 S * 4/2010 Horton D2/957
7,950,167 B2 * 5/2011 Nakano 36/28
D643,195 S * 8/2011 Yi D2/957
D648,516 S * 11/2011 Yi D2/952
2011/0185593 A1 * 8/2011 Ramos 36/103

* cited by examiner

Primary Examiner — T. Chase Nelson

(57) **CLAIM**

The ornamental design for a shoe sole, as shown and described.

DESCRIPTION

FIG. 1 is a perspective view of a shoe sole showing my new design;

FIG. 2 is a front view thereof;

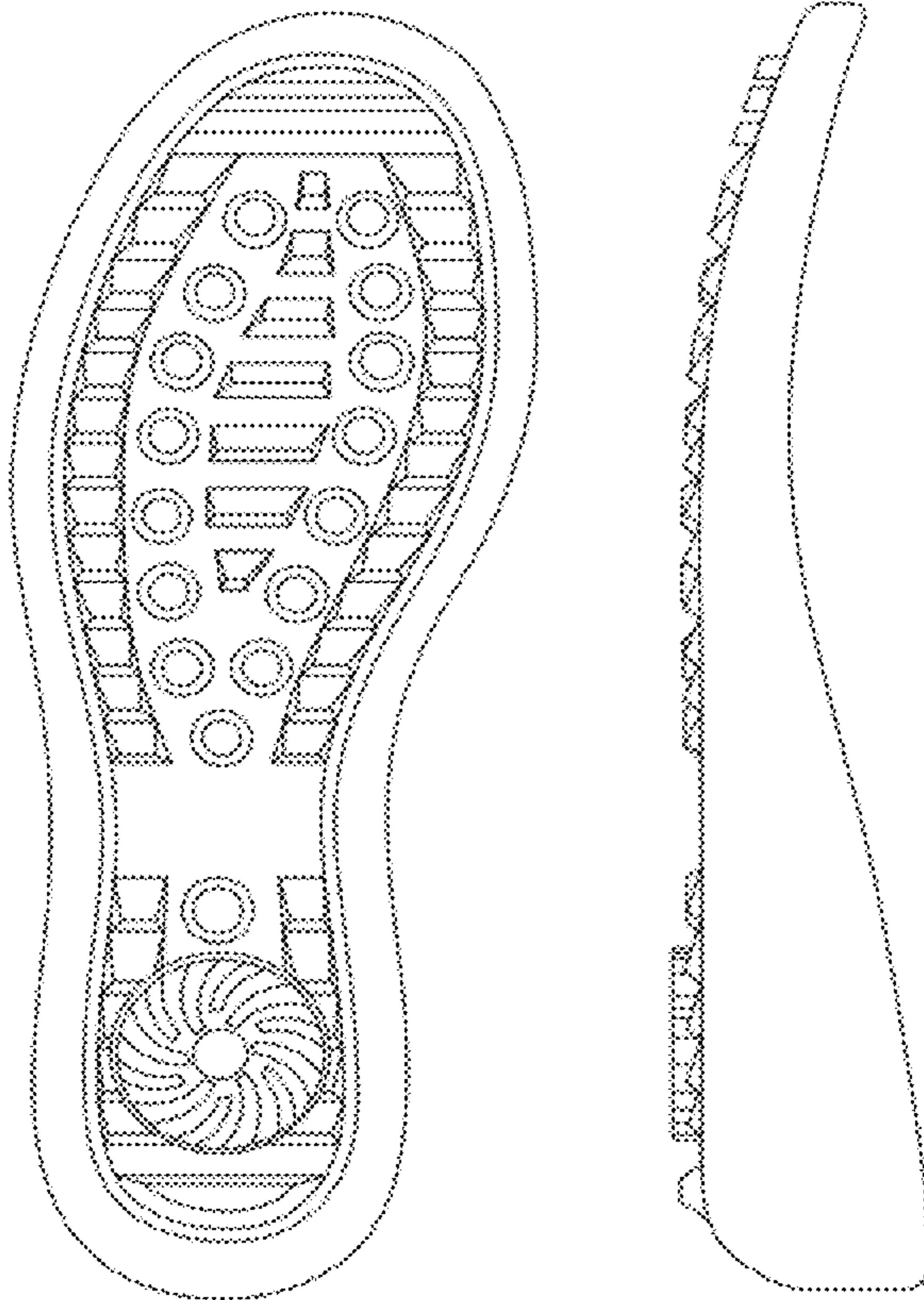
FIG. 3 is a left side view thereof;

FIG. 4 is a right side view thereof;

FIG. 5 is a top plan view thereof; and,

FIG. 6 is a bottom plan view thereof.

1 Claim, 6 Drawing Sheets



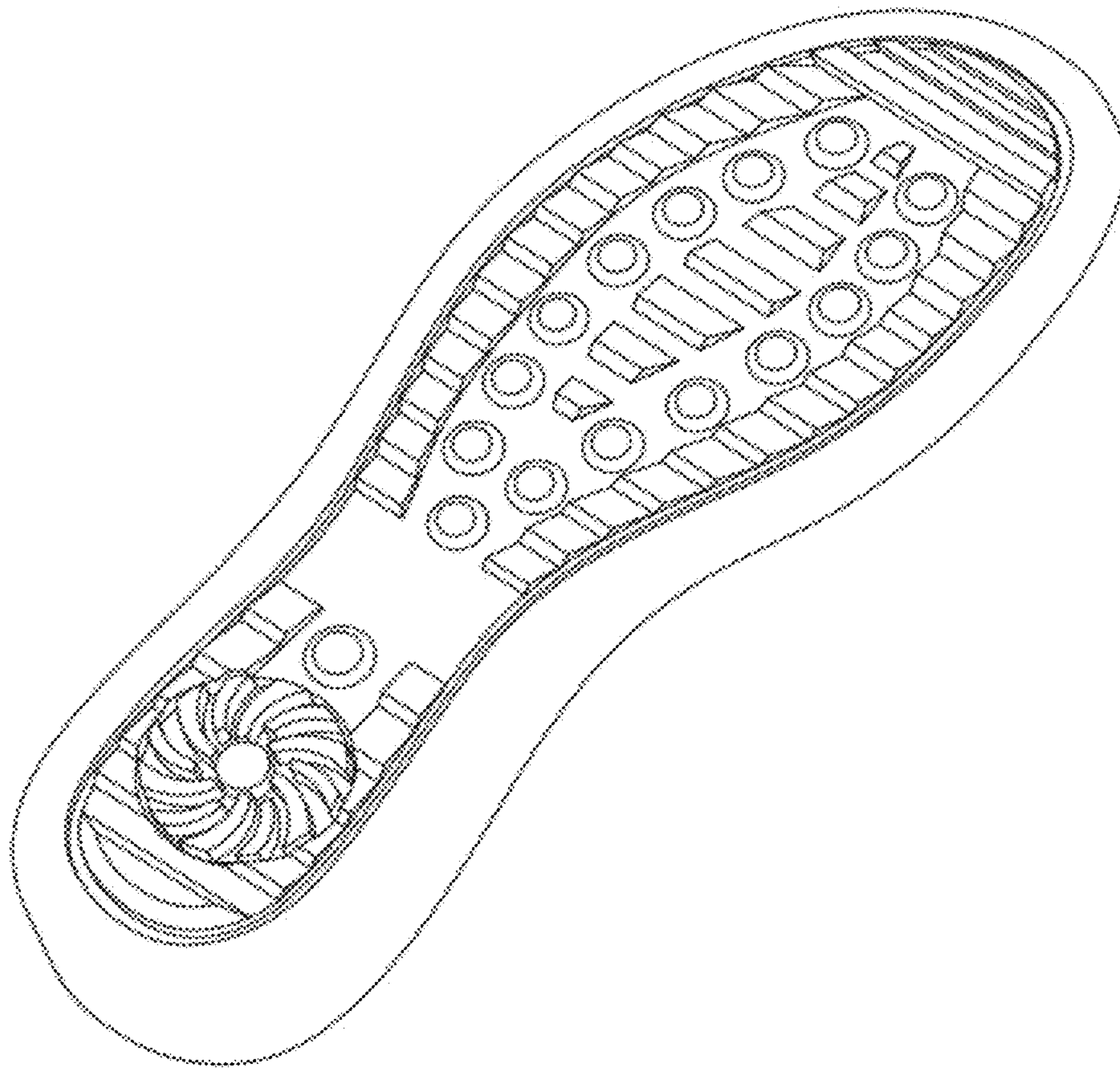


FIG. 1

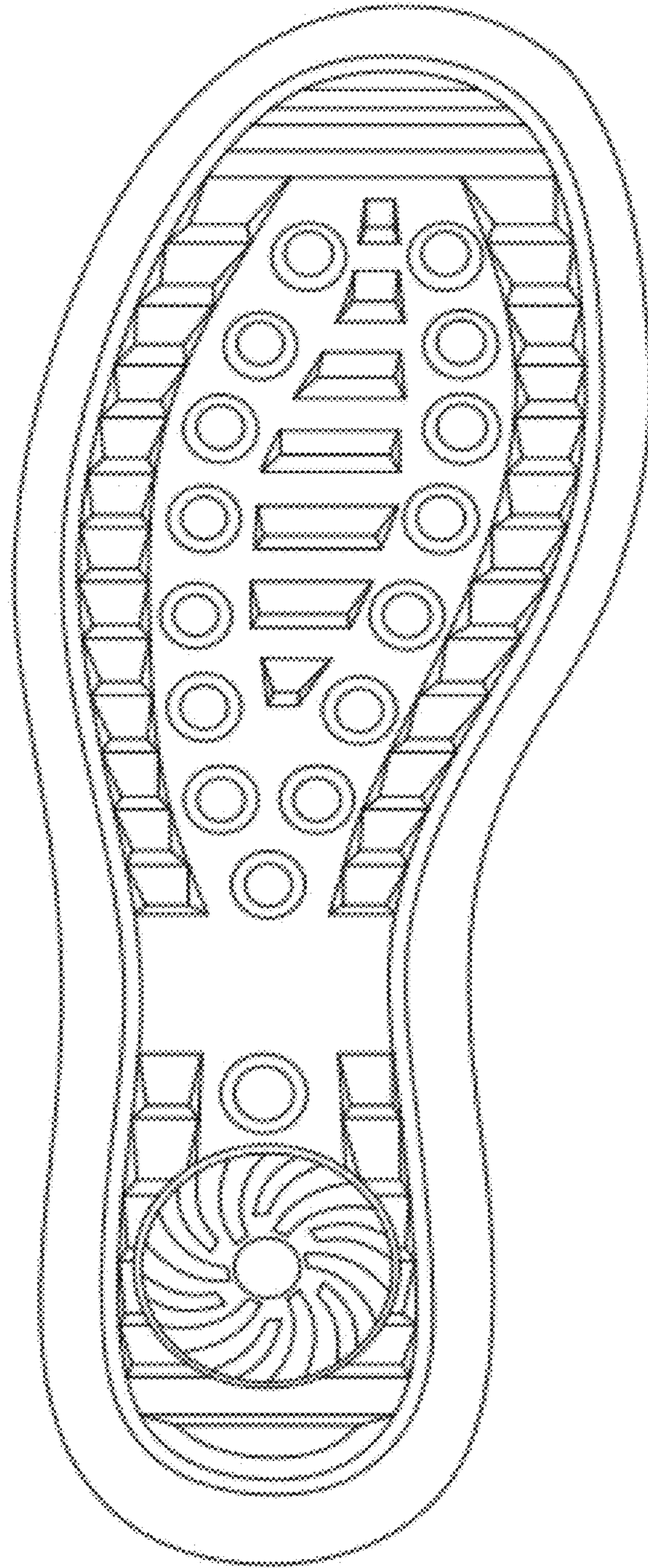


FIG. 2

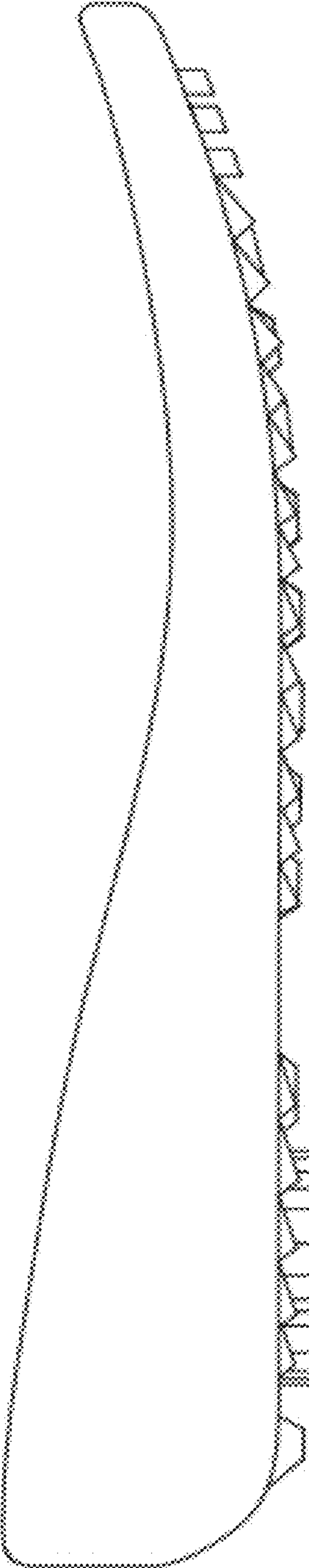


FIG. 3

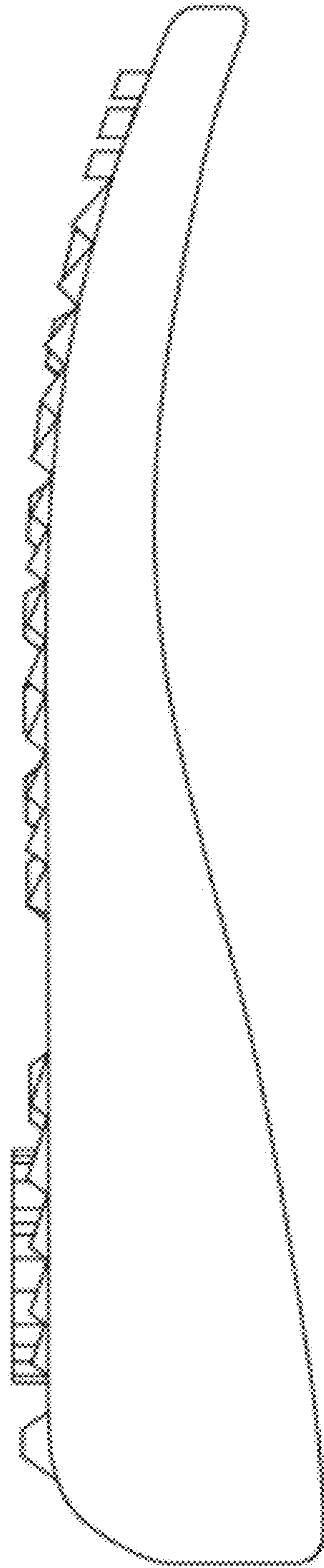


FIG. 4

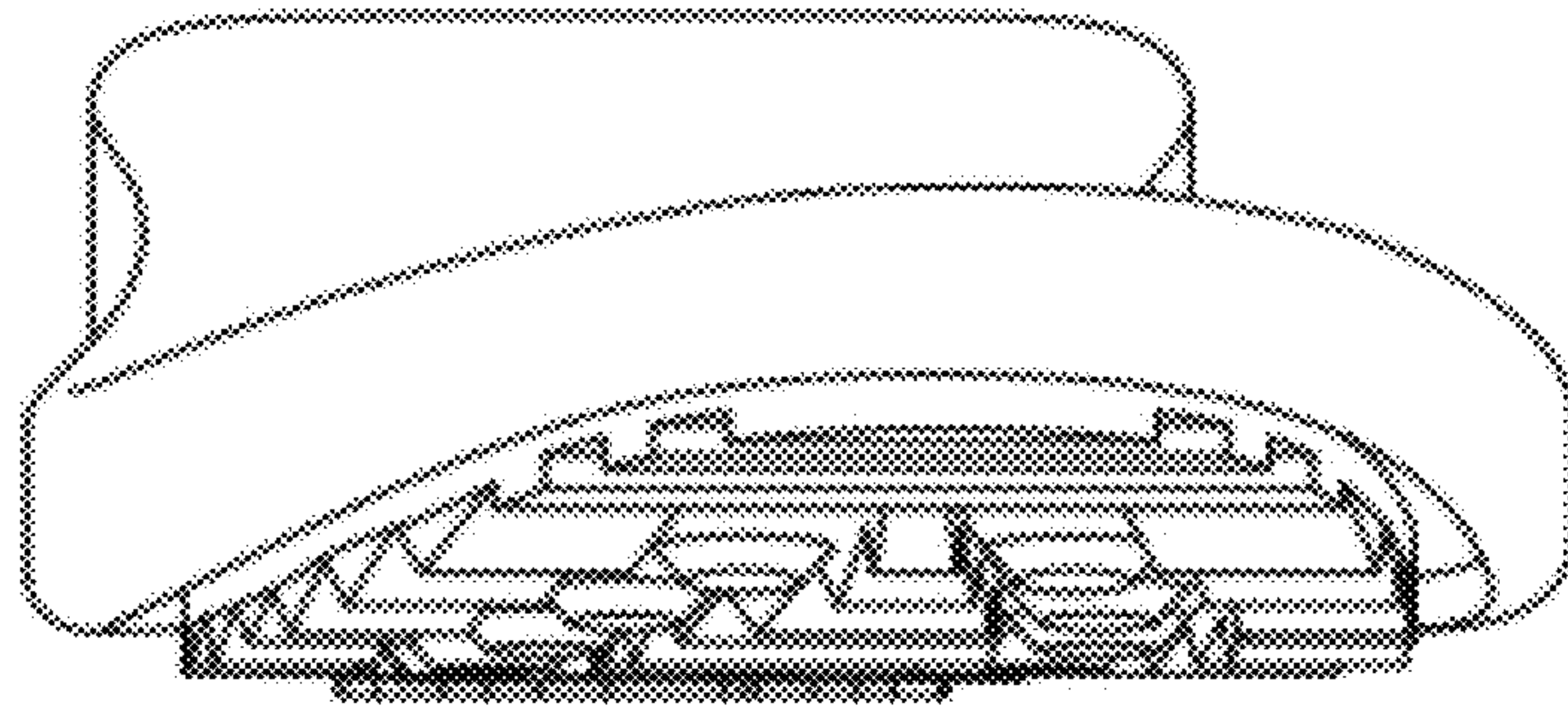


FIG. 5

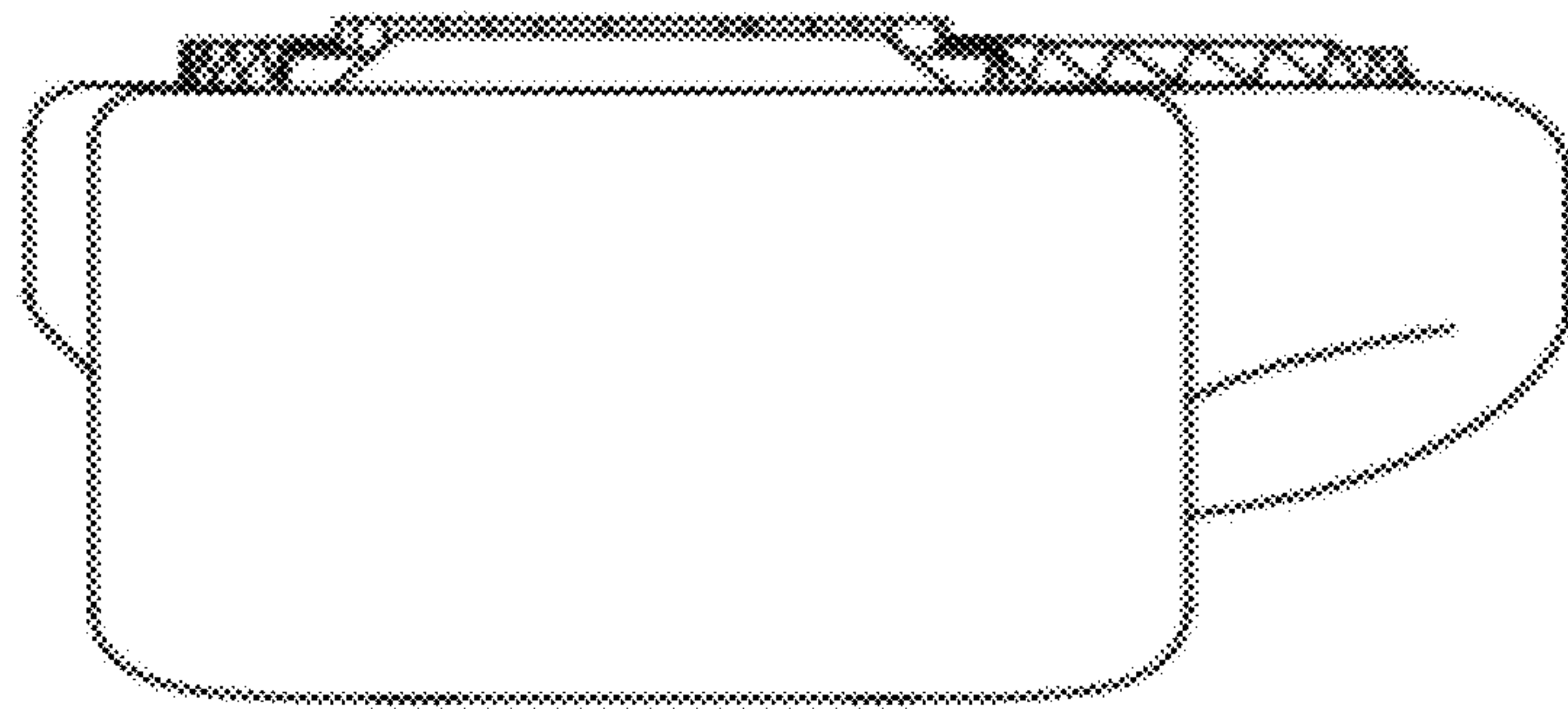


FIG. 6