



US00D659963S

(12) **United States Design Patent**
Merritt et al.

(10) **Patent No.:** **US D659,963 S**

(45) **Date of Patent:** **** May 22, 2012**

(54) **PAIR OF FOOTWEAR ARTICLES**

(75) Inventors: **Bernhard Merritt**, Hingham, MA (US);
Alain Laverdure, Medford, MA (US)

(73) Assignee: **SR Holdings, LLC**, Lexington, MA
(US)

(**) Term: **14 Years**

(21) Appl. No.: **29/386,579**

(22) Filed: **Mar. 2, 2011**

Related U.S. Application Data

(63) Continuation of application No. 29/375,058, filed on
Sep. 16, 2010, now Pat. No. Des. 636,570, and a
continuation of application No. 12/621,024, filed on
Nov. 18, 2009.

(51) **LOC (9) Cl.** **02-04**

(52) **U.S. Cl.** **D2/951; D2/954; D2/960**

(58) **Field of Classification Search** D2/902,
D2/906, 908, 916, 918, 925, 946, 947, 951-954,
D2/956-962, 977; 36/3 B, 22 R, 24.5, 25 R,
36/28, 32 R, 34 R, 59 C, 67 A, 103
See application file for complete search history.

(56) **References Cited**

U.S. PATENT DOCUMENTS

1,352,865 A	9/1920	Augestad
2,508,318 A	5/1950	Wallach
3,142,910 A	8/1964	Levine
D267,288 S	12/1982	Davis
D267,366 S	12/1982	Davis

(Continued)

OTHER PUBLICATIONS

Office Action dated Nov. 24, 2010 for U.S. Appl. No. 29/375,058.

Primary Examiner — T. Chase Nelson

(74) *Attorney, Agent, or Firm* — Honigam Miller Schwartz
and Cohn LLP

(57) **CLAIM**

The ornamental design for a pair of footwear articles, as
shown and described.

DESCRIPTION

FIG. 1 is a right-front perspective view of one article of a pair
of footwear articles, showing our new design;

FIG. 2 is a left-front perspective view of the footwear article
of FIG. 1;

FIG. 3 is a right-rear perspective view of the footwear article
of FIG. 1;

FIG. 4 is a left-rear perspective view of the footwear article of
FIG. 1;

FIG. 5 is a front view of the footwear article of FIG. 1;

FIG. 6 is a rear view of the footwear article of FIG. 1;

FIG. 7 is a left side view of the footwear article of FIG. 1;

FIG. 8 is a right side view of the footwear article of FIG. 1;

FIG. 9 is a top plan view of the footwear article of FIG. 1;

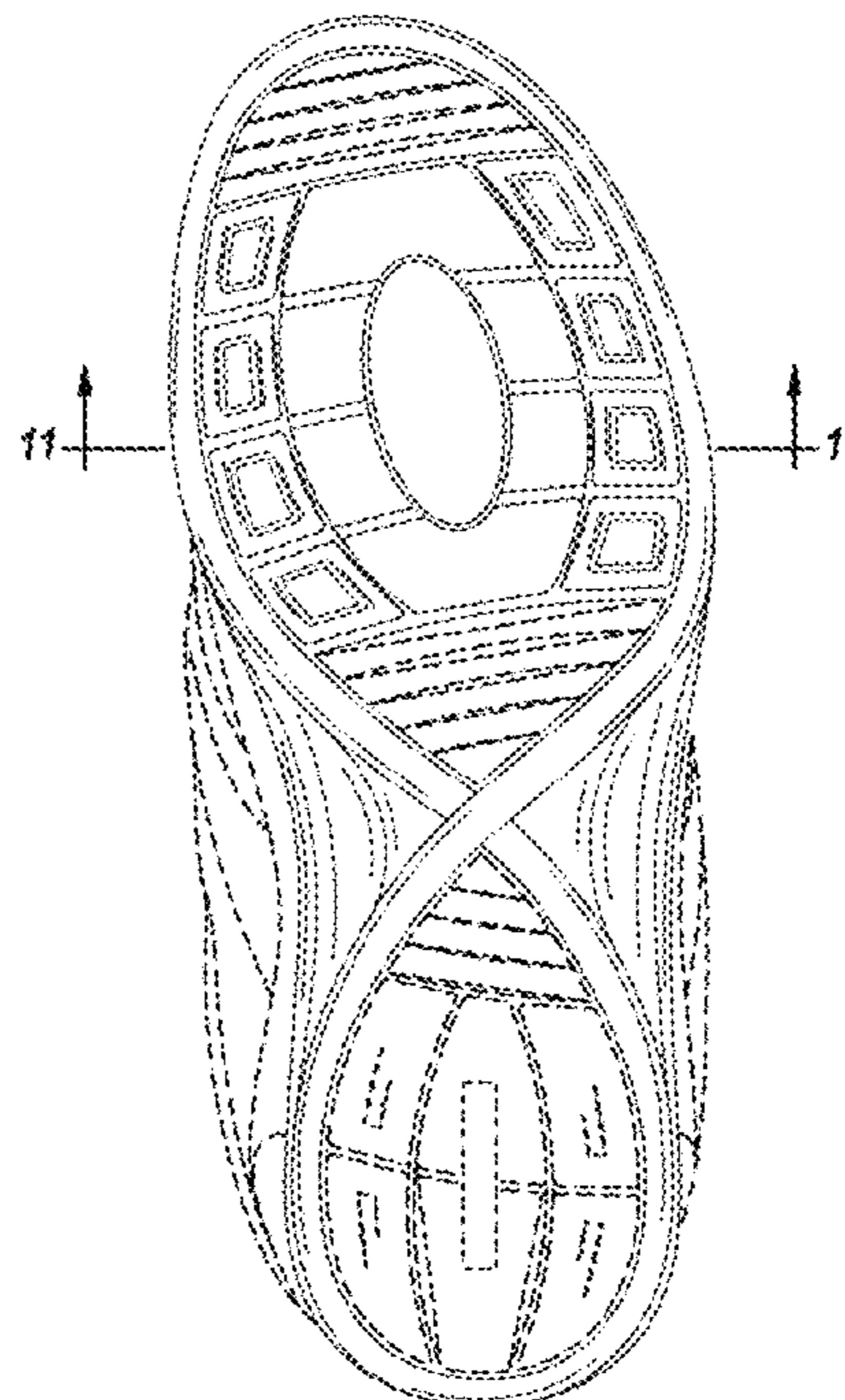
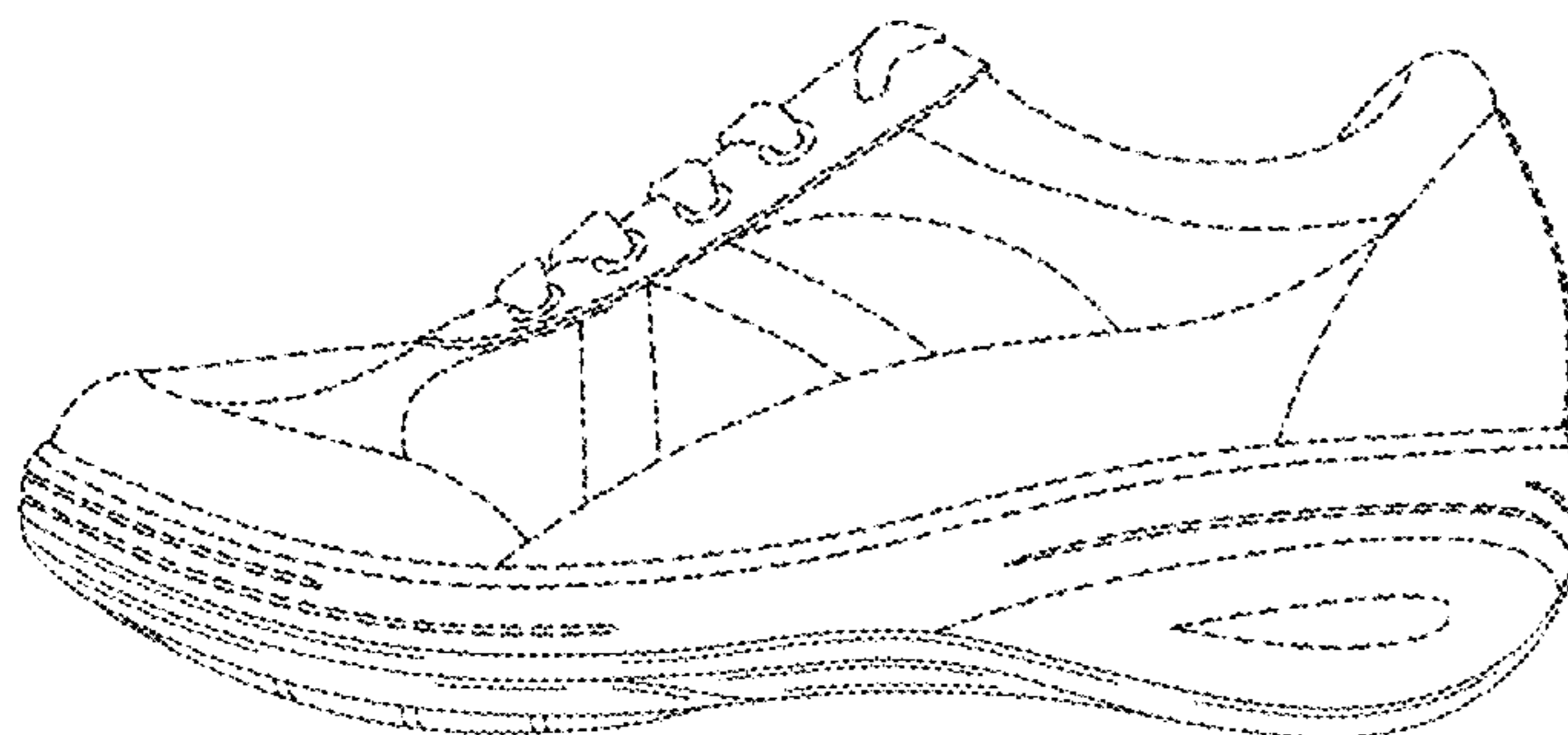
FIG. 10 is a bottom plan view of the footwear article of FIG.
1; and,

FIG. 11 is a cross sectional view of the footwear article taken
along line 11-11 of FIG. 10.

The drawings show the design of a footwear article suitable
for being worn on a left foot.

The ornamental design also includes the mirror images of
drawings, i.e., the design of a footwear article suitable for
being worn on the right foot. The broken lines in the drawing
views depict portions of the pair of footwear articles that form
no part of the claimed design.

1 Claim, 10 Drawing Sheets



US D659,963 S

U.S. PATENT DOCUMENTS								
4,372,059	A	2/1983	Ambrose	7,093,379	B2	8/2006	Ellis, III	
4,492,046	A	1/1985	Kosova	7,100,308	B2	9/2006	Aveni	
4,494,320	A	1/1985	Davis	7,168,185	B2	1/2007	Ellis, III	
D282,123	S	1/1986	Davis	7,174,658	B2	2/2007	Ellis, III	
5,195,258	A	3/1993	Loader	D539,518	S	4/2007	Hawker	
5,203,095	A	4/1993	Allen	7,234,249	B2	6/2007	Ellis, III	
D348,147	S	6/1994	Nakano	D550,438	S	9/2007	Ades	
5,507,106	A	4/1996	Fox	D552,835	S	10/2007	Belley et al.	
5,579,591	A	12/1996	Kousaka et al.	D553,335	S	10/2007	Amado et al.	
5,592,757	A	1/1997	Jackinsky	D560,336	S	1/2008	Nakashima	
D384,795	S	10/1997	Hudson	D561,434	S	2/2008	Fujita et al.	
D388,947	S	1/1998	Sessa	7,334,350	B2	2/2008	Ellis, III	
D392,445	S	3/1998	Tresser	7,334,356	B2	2/2008	Ellis, III	
5,826,351	A	10/1998	Tsuji	D566,936	S	4/2008	Schoenborn et al.	
D401,396	S	11/1998	Kayano	D566,939	S	4/2008	Schoenborn et al.	
5,896,679	A	4/1999	Baldwin	D566,940	S	4/2008	Schoenborn et al.	
D413,713	S	9/1999	Hernandez	D574,582	S	8/2008	Della Valle	
D415,339	S	10/1999	Rombis	D578,282	S	10/2008	Duffy	
6,029,374	A	2/2000	Herr et al.	D594,193	S	6/2009	Duffy	
6,131,315	A	10/2000	Frye et al.	D601,783	S	10/2009	Pizzuti	
D433,214	S	11/2000	McDowell	7,607,241	B2	10/2009	McDonald et al.	
D433,790	S	11/2000	Oliver	7,627,961	B2	12/2009	Brewer et al.	
D434,550	S	12/2000	LaBerge	D616,639	S	6/2010	Larregain et al.	
D446,917	S	8/2001	Brown	D619,343	S	7/2010	Vestuti et al.	
D450,429	S	11/2001	McClaskie	7,762,009	B2	7/2010	Gerber	
6,314,662	B1	11/2001	Ellis, III	D621,595	S	8/2010	McClaskie	
6,341,432	B1	1/2002	Muller	D625,093	S	10/2010	Lidtke	
6,357,145	B1	3/2002	James	D627,545	S	* 11/2010	Raysse	D2/947
D455,544	S	4/2002	Wilson	D632,879	S	* 2/2011	Merkazy et al.	D2/953
D458,011	S	6/2002	Yang	D636,157	S	* 4/2011	Nascimento	D2/951
6,449,878	B1	9/2002	Lyden	D643,197	S	* 8/2011	Teteriatnikov	D2/960
D471,347	S	3/2003	Haas et al.	D643,602	S	* 8/2011	Teteriatnikov	D2/946
6,578,290	B1	6/2003	Meynard	D643,607	S	* 8/2011	Teteriatnikov	D2/954
6,601,042	B1	7/2003	Lyden	D644,009	S	* 8/2011	Akhidime	D2/956
6,668,470	B2	12/2003	Ellis, III	D645,240	S	* 9/2011	McClaskie	D2/959
D487,616	S	3/2004	Rogers et al.	D648,516	S	* 11/2011	Yi	D2/952
D487,617	S	3/2004	Akhidime	D648,517	S	* 11/2011	Vestuti et al.	D2/955
D492,096	S	6/2004	Sanchez et al.	D649,337	S	* 11/2011	Wilken et al.	D2/960
6,782,639	B1	8/2004	Muller	2002/0112373	A1	8/2002	Talbott	
D497,244	S	10/2004	Sedlbauer	2002/0133977	A1	9/2002	Pan	
D498,041	S	11/2004	McClaskie	2002/0157279	A1	10/2002	Matsuura et al.	
D503,522	S	4/2005	Schoenborn et al.	2004/0040180	A1	3/2004	Rennex et al.	
D504,005	S	4/2005	Schoenborn et al.	2005/0044745	A1	3/2005	Pfander	
D504,757	S	5/2005	Schoenborn et al.	2005/0150135	A1	7/2005	Kelley	
D507,094	S	7/2005	Lyden	2007/0119073	A1	5/2007	Brewer et al.	
6,918,197	B2	7/2005	Ellis, III	2008/0222921	A1	9/2008	Gerber	
6,925,735	B2	8/2005	Hamm et al.	2008/0229617	A1	9/2008	Johnson et al.	
6,928,756	B1	8/2005	Haynes	2009/0077830	A1	3/2009	Lee	
D512,208	S	12/2005	Kubo et al.	2009/0241379	A1	10/2009	Krikorian	
D522,229	S	6/2006	Kubo et al.					

* cited by examiner

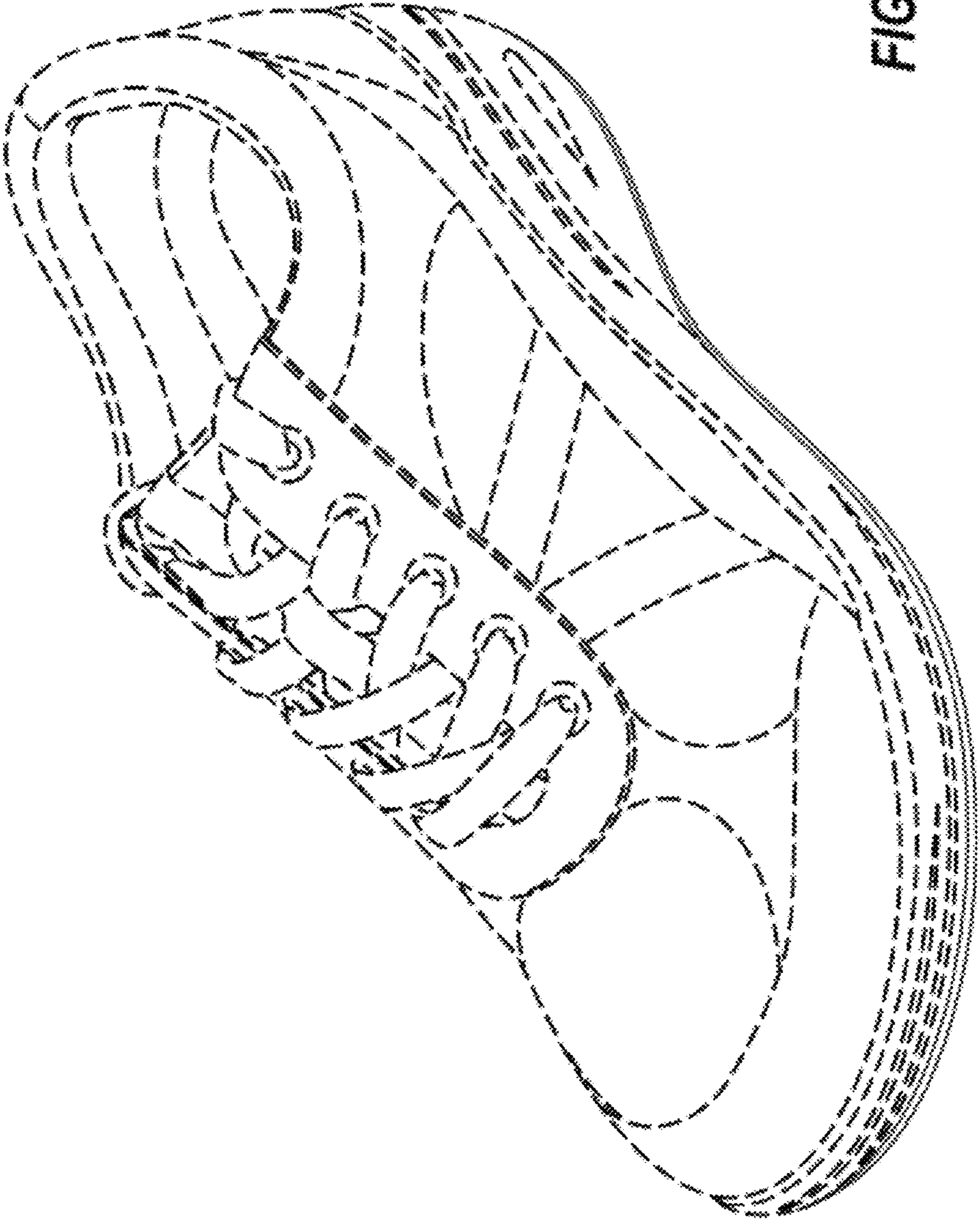


FIG. 1

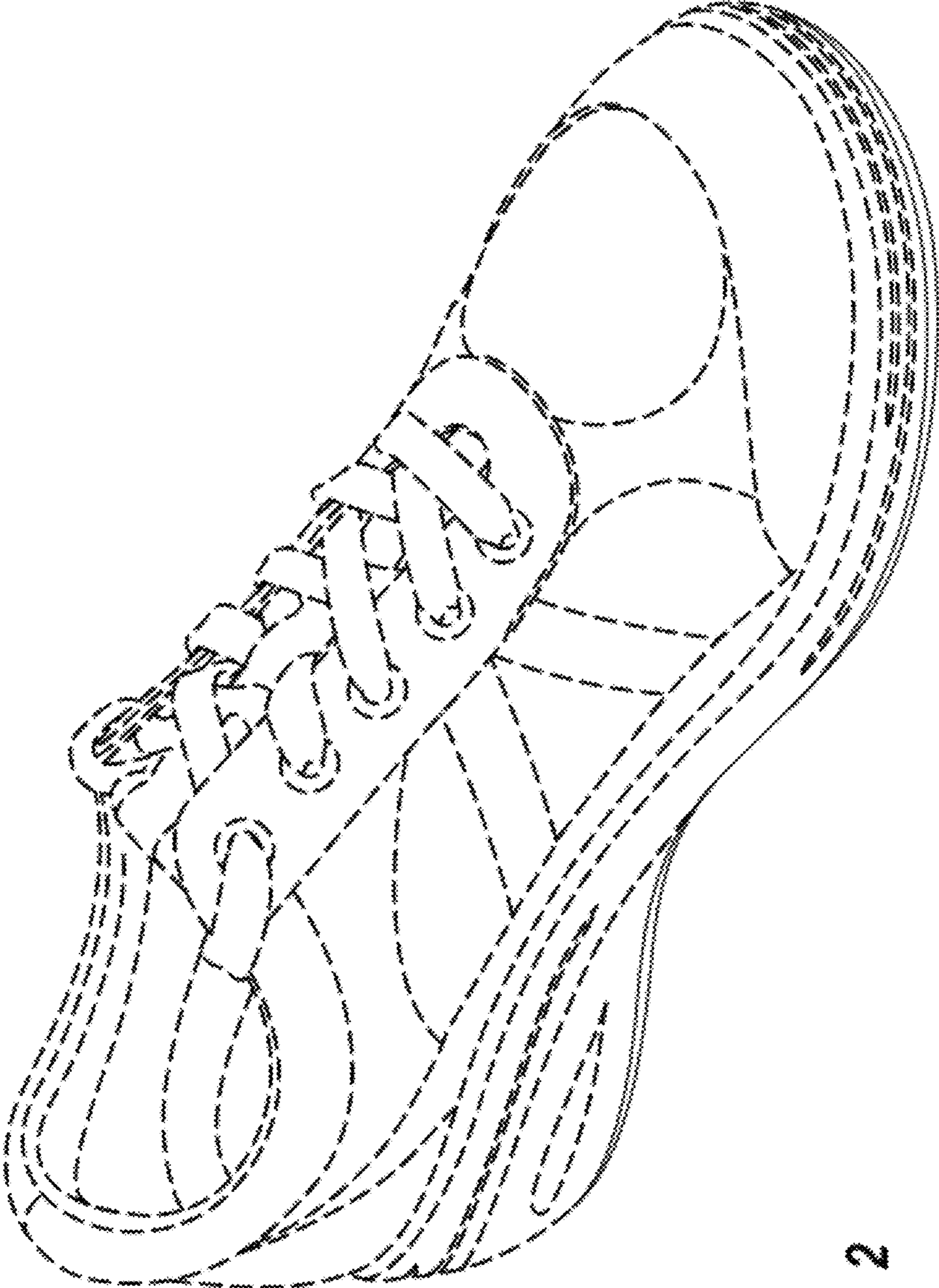


FIG. 2

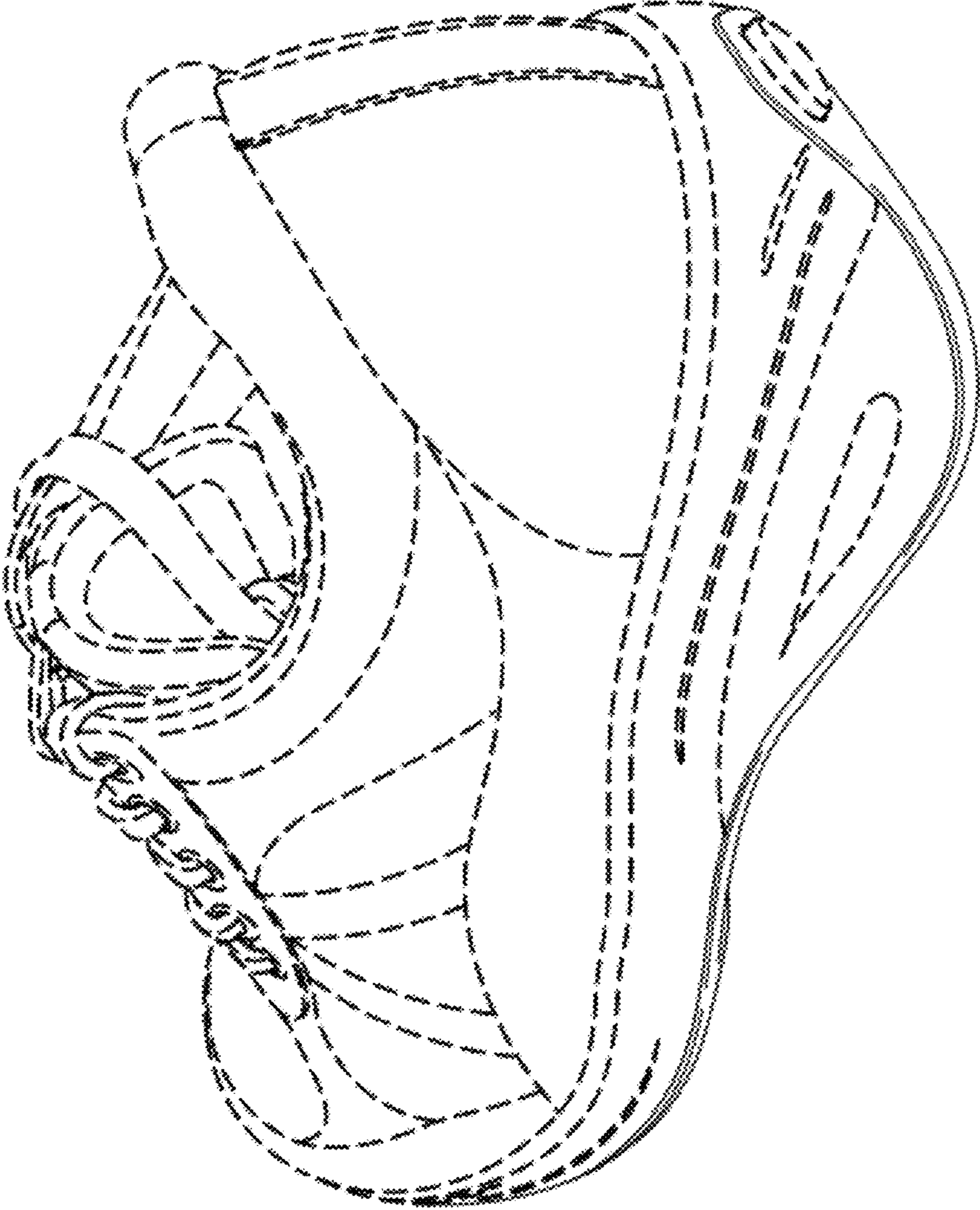


FIG. 3

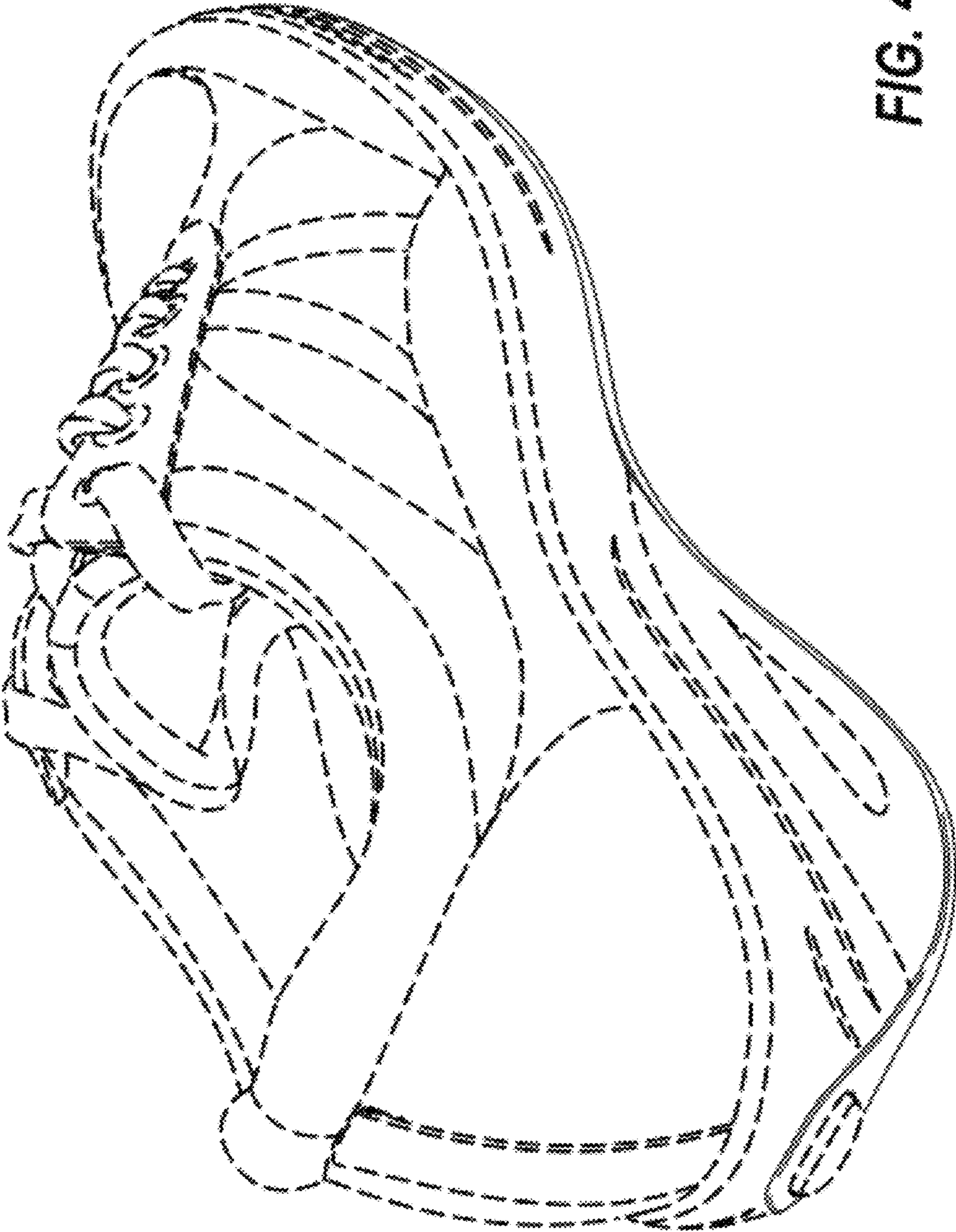


FIG. 4

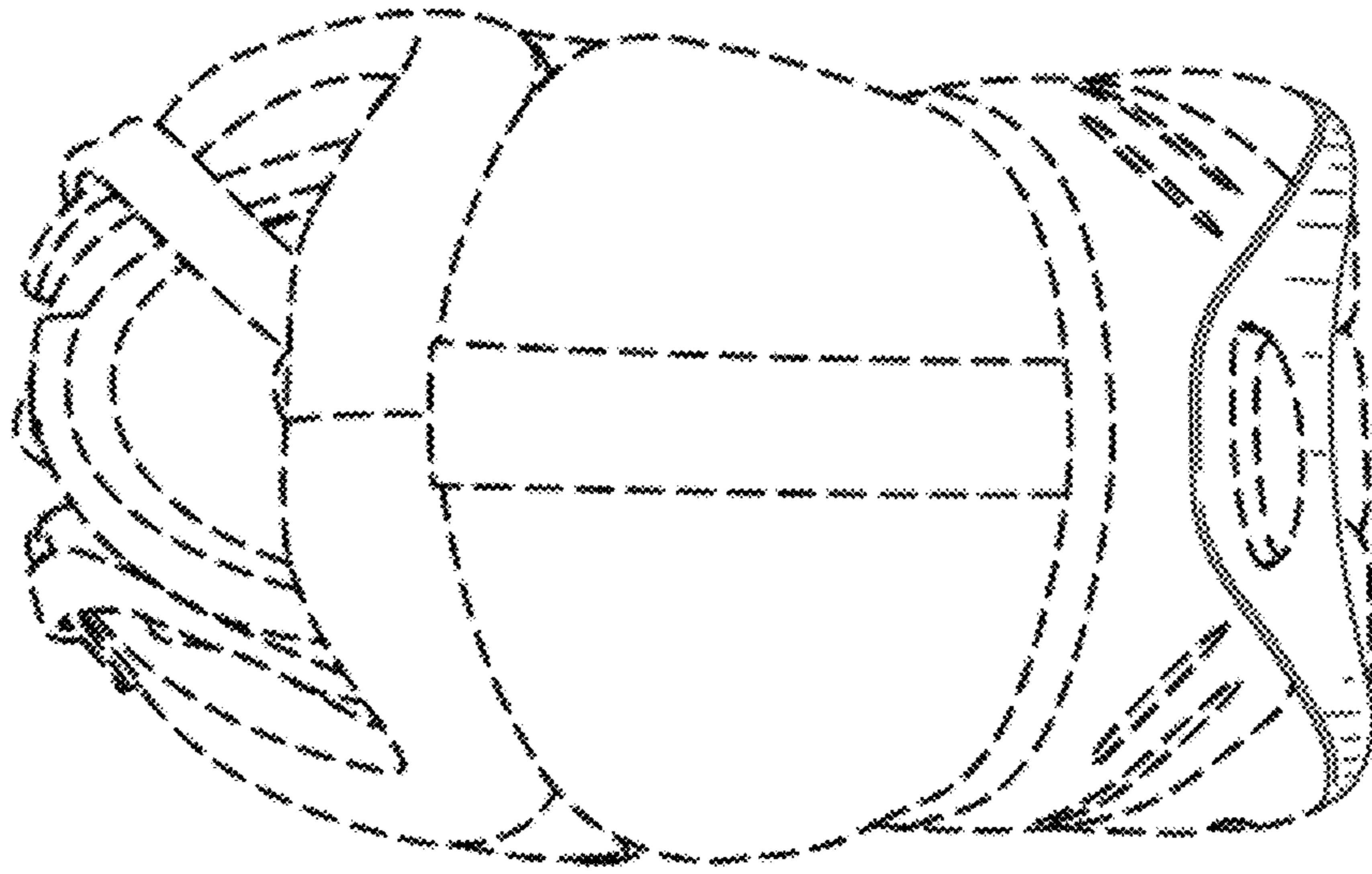


FIG. 6

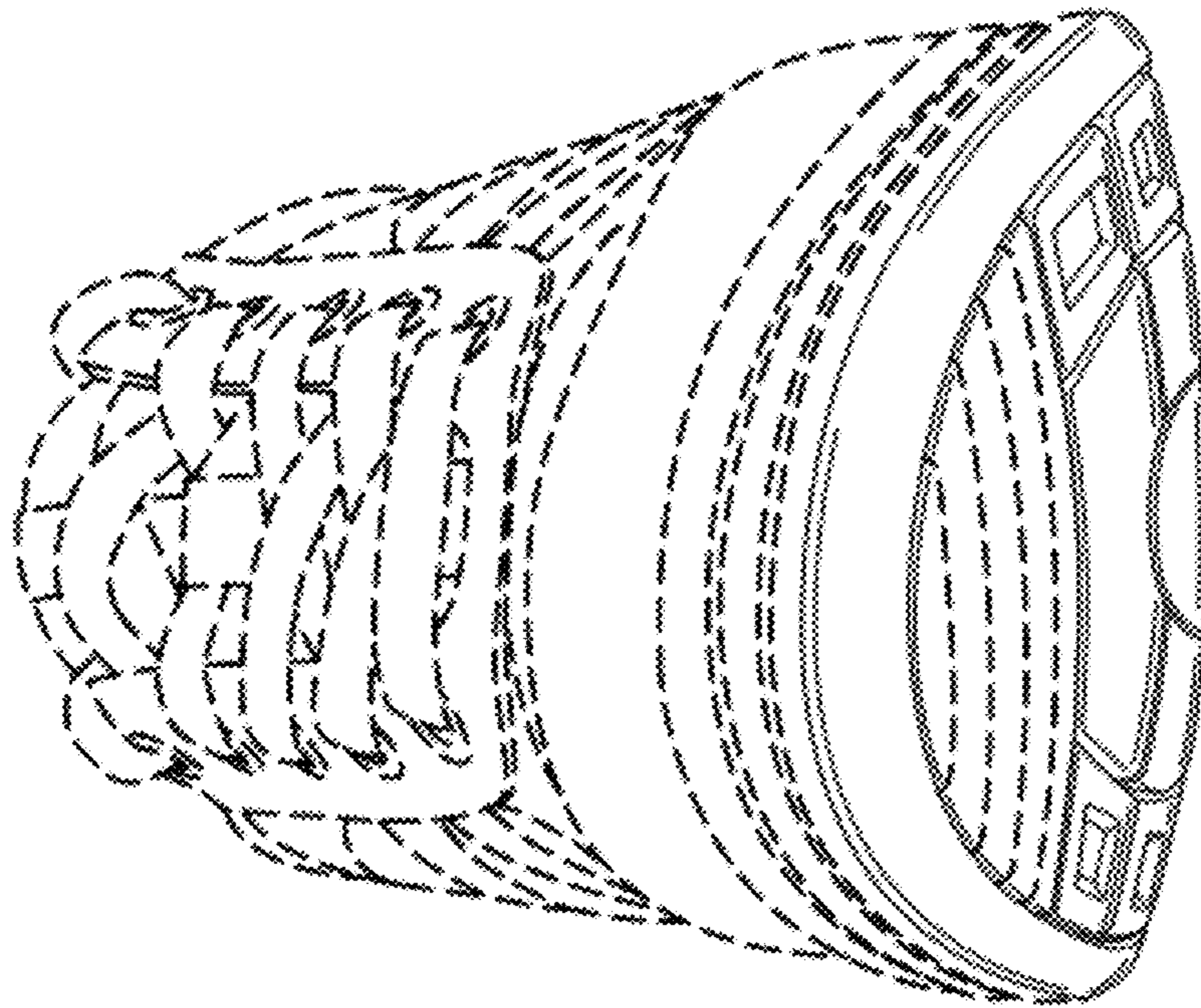


FIG. 5

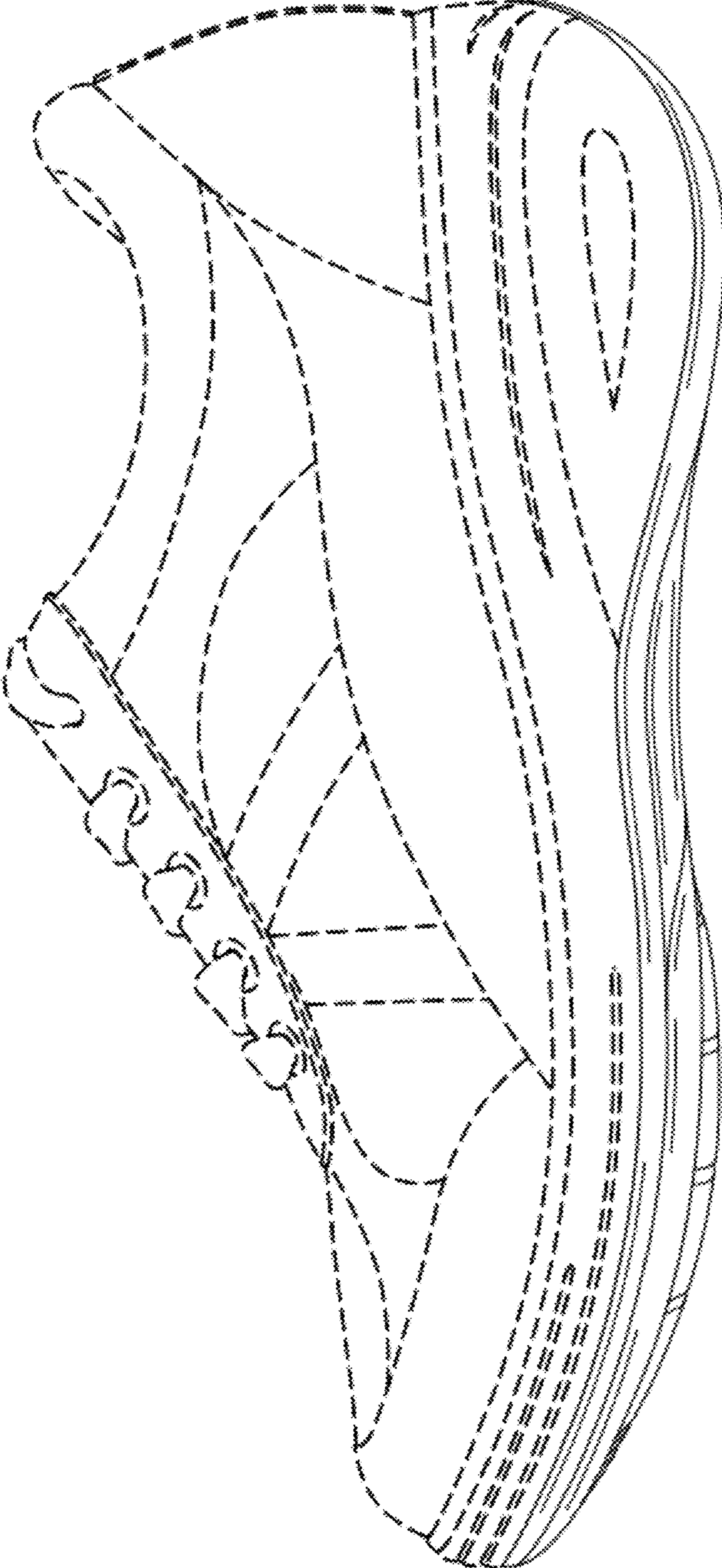


FIG. 7

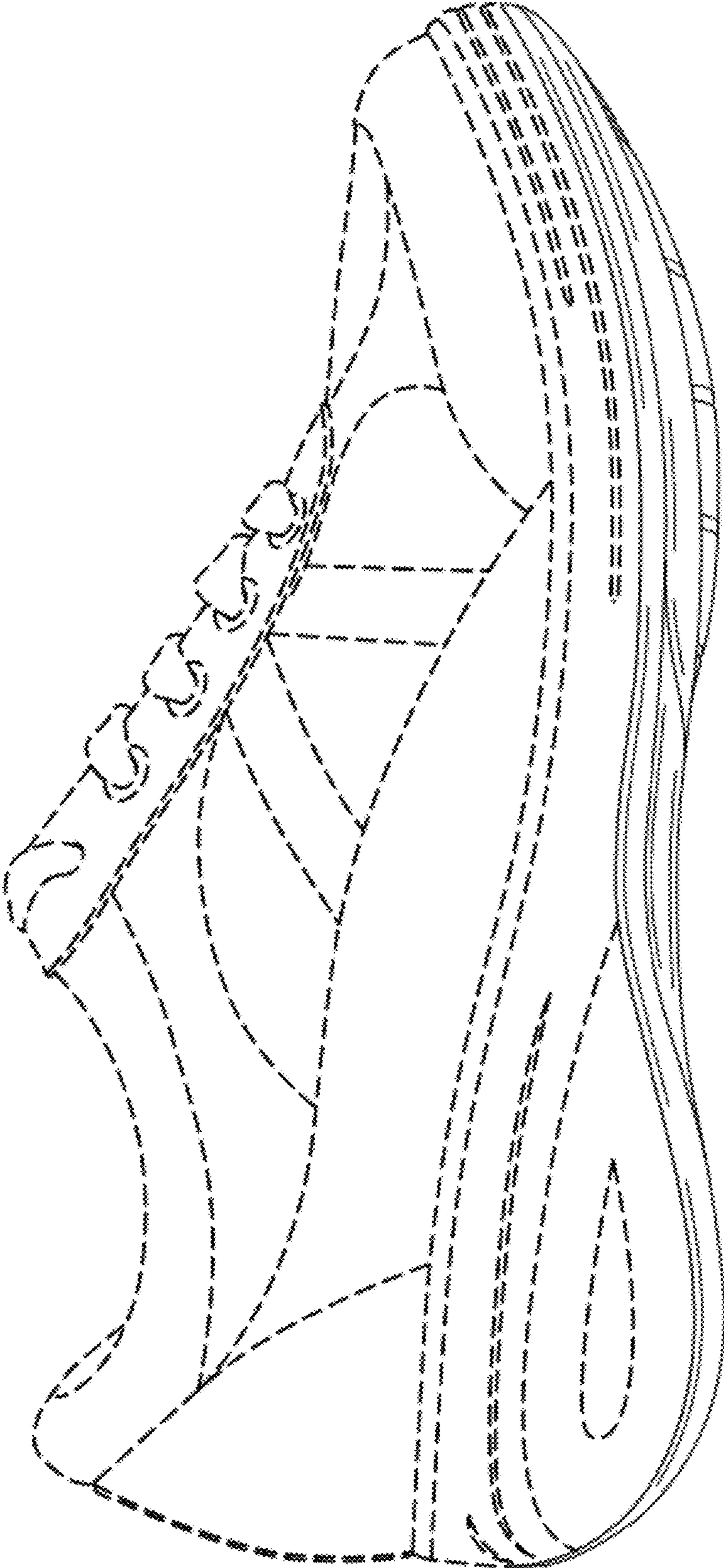


FIG. 8

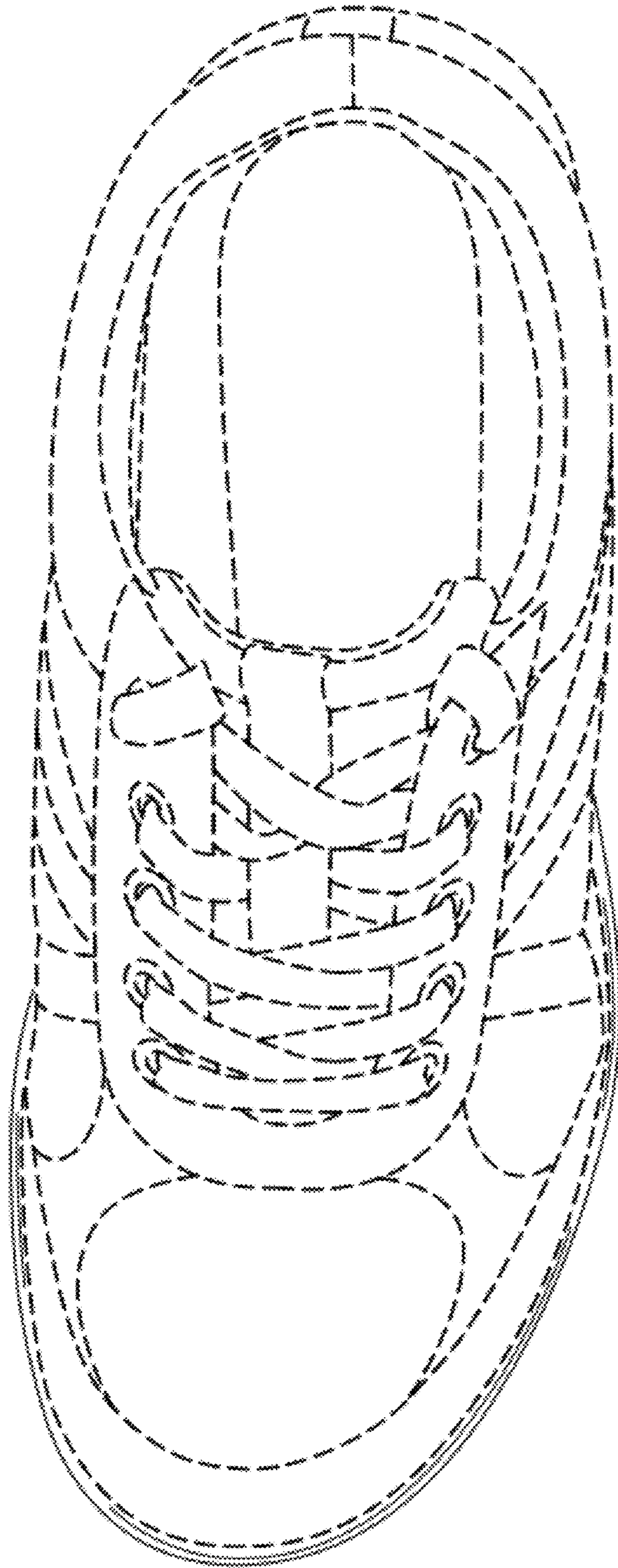


FIG. 9

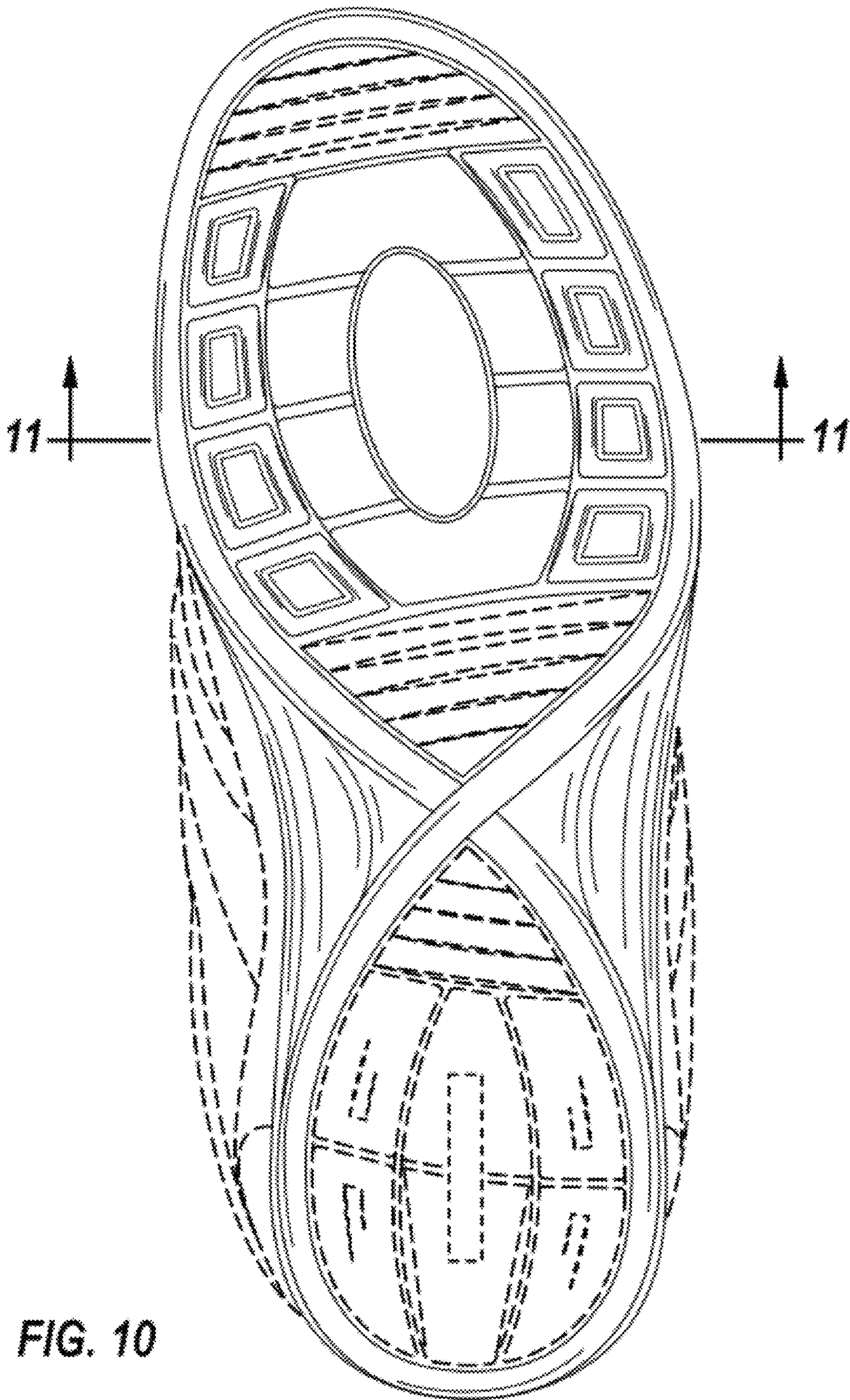


FIG. 10

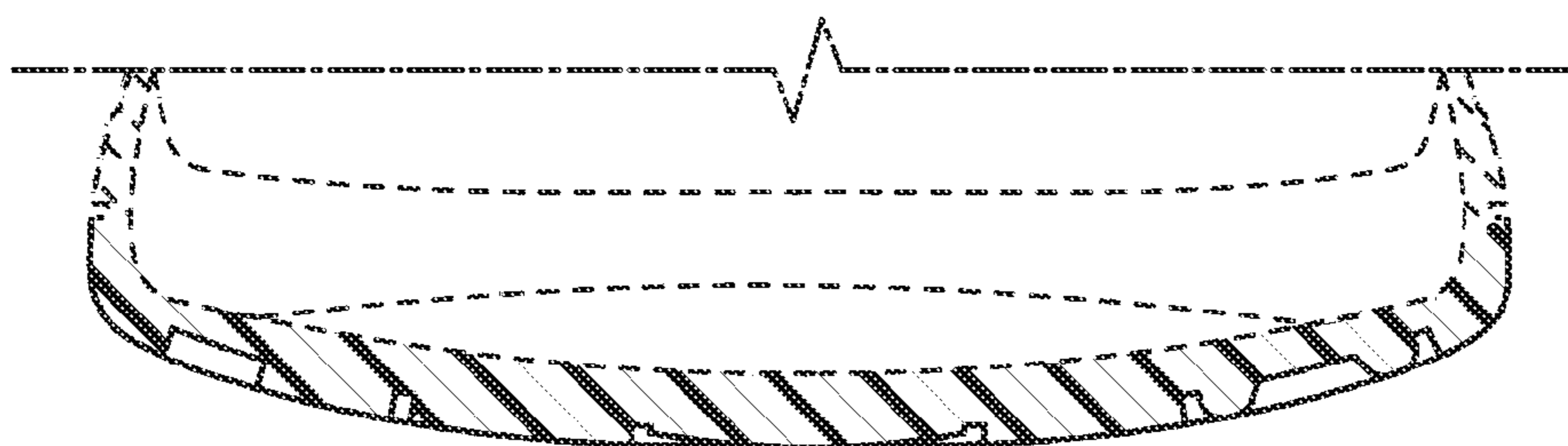


FIG. 11