



US00D659957S

(12) **United States Design Patent**
Dushey et al.

(10) **Patent No.:** **US D659,957 S**

(45) **Date of Patent:** **** May 22, 2012**

(54) **SANDAL WITH STRAP**

(76) Inventors: **Selim Dushey**, Brooklyn, NY (US);
Stuart Alan Kalinsky, New York, NY
(US)

(**) Term: **14 Years**

(21) Appl. No.: **29/409,265**

(22) Filed: **Dec. 21, 2011**

(51) **LOC (9) Cl.** **02-04**

(52) **U.S. Cl.** **D2/917; D2/916**

(58) **Field of Classification Search** D2/896,
D2/900, 916-918, 943, 946, 957, 969; 36/45,
36/11.5, 90, 101, 3 A, 50.1, 7.5, 9 R, 43,
36/88, 94

See application file for complete search history.

(56) **References Cited**

U.S. PATENT DOCUMENTS

D151,699 S *	11/1948	Lothrop	D2/916
D375,400 S *	11/1996	Bishop	D2/969
D408,984 S *	5/1999	Hardy	D2/972
D516,280 S *	3/2006	Jarmon Mouchi et al.	D2/946
D558,959 S *	1/2008	Kalinsky	D2/916
D563,088 S *	3/2008	Belley et al.	D2/969
D576,398 S *	9/2008	Guers-Neyraud	D2/971

D581,148 S *	11/2008	Kalinsky	D2/969
D591,487 S *	5/2009	Hayek	D2/916
D591,936 S *	5/2009	Frederiksen et al.	D2/917
2005/0016017 A1 *	1/2005	McClaskie	36/7.5

* cited by examiner

Primary Examiner — Robert M Spear

Assistant Examiner — Rashida C McCoy

(74) *Attorney, Agent, or Firm* — Israel Nissenbaum

(57) **CLAIM**

The ornamental design for a sandal with strap, as shown and described.

DESCRIPTION

FIG. 1 is a right side perspective view of a design of a sandal with strap.

FIG. 2 shows a right side view of the sandal with strap of FIG. 1.

FIG. 3 shows a left side view of the sandal with strap of FIG. 1.

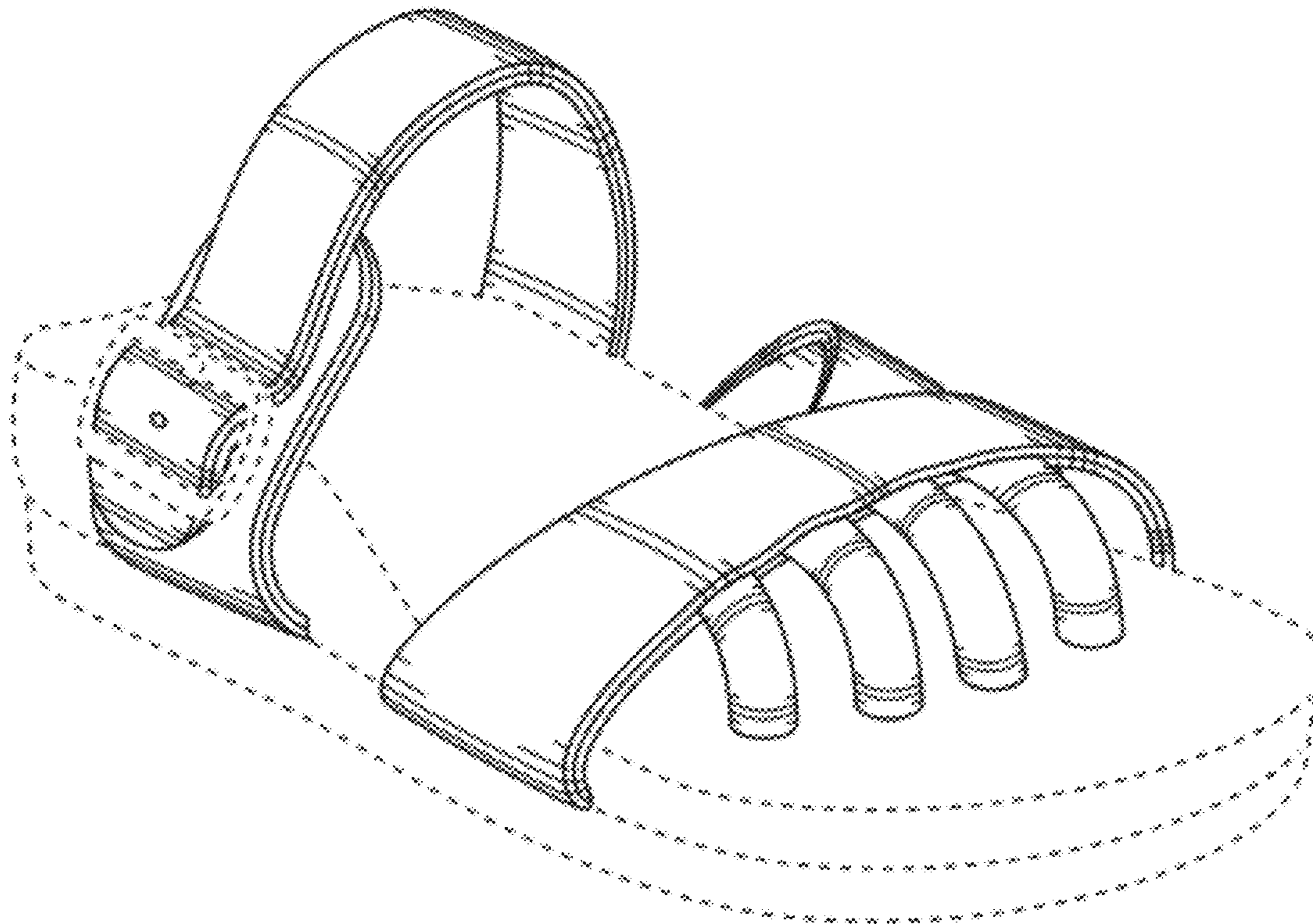
FIG. 4 shows a front view of the sandal with strap of FIG. 1.

FIG. 5 shows a rear view of the sandal with strap of FIG. 1; and,

FIG. 6 shows a top view of the sandal with strap of FIG. 1.

The dashed lines show unclaimed environment.

1 Claim, 3 Drawing Sheets



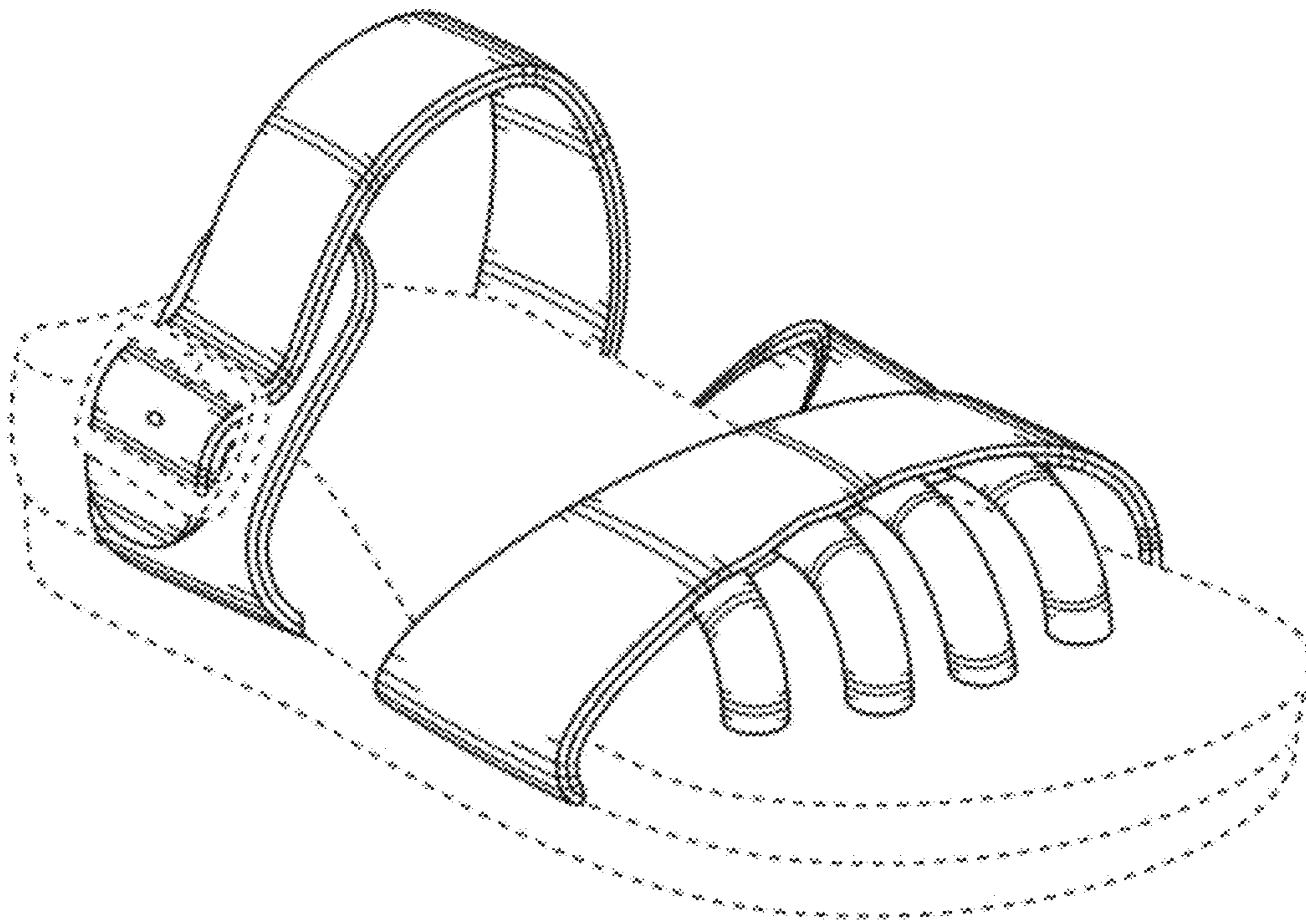


FIG. 1

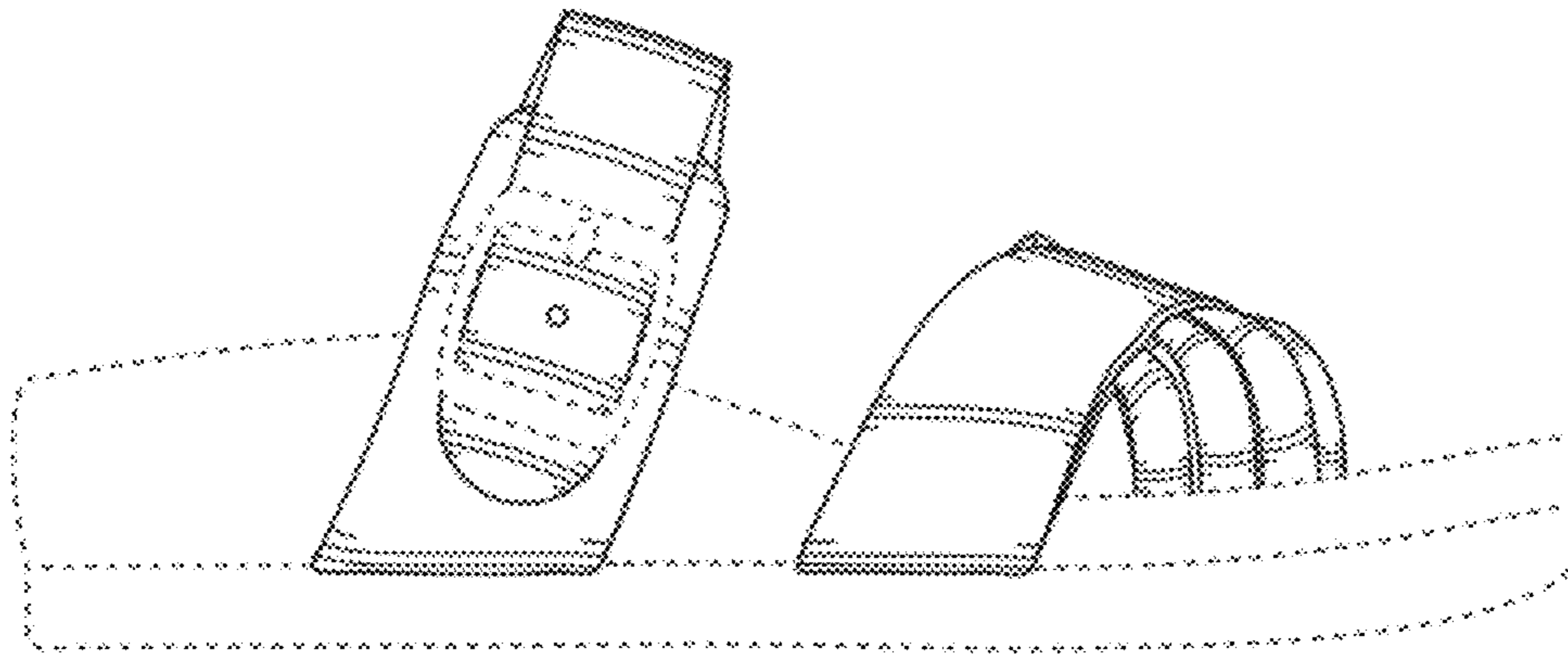


FIG. 2

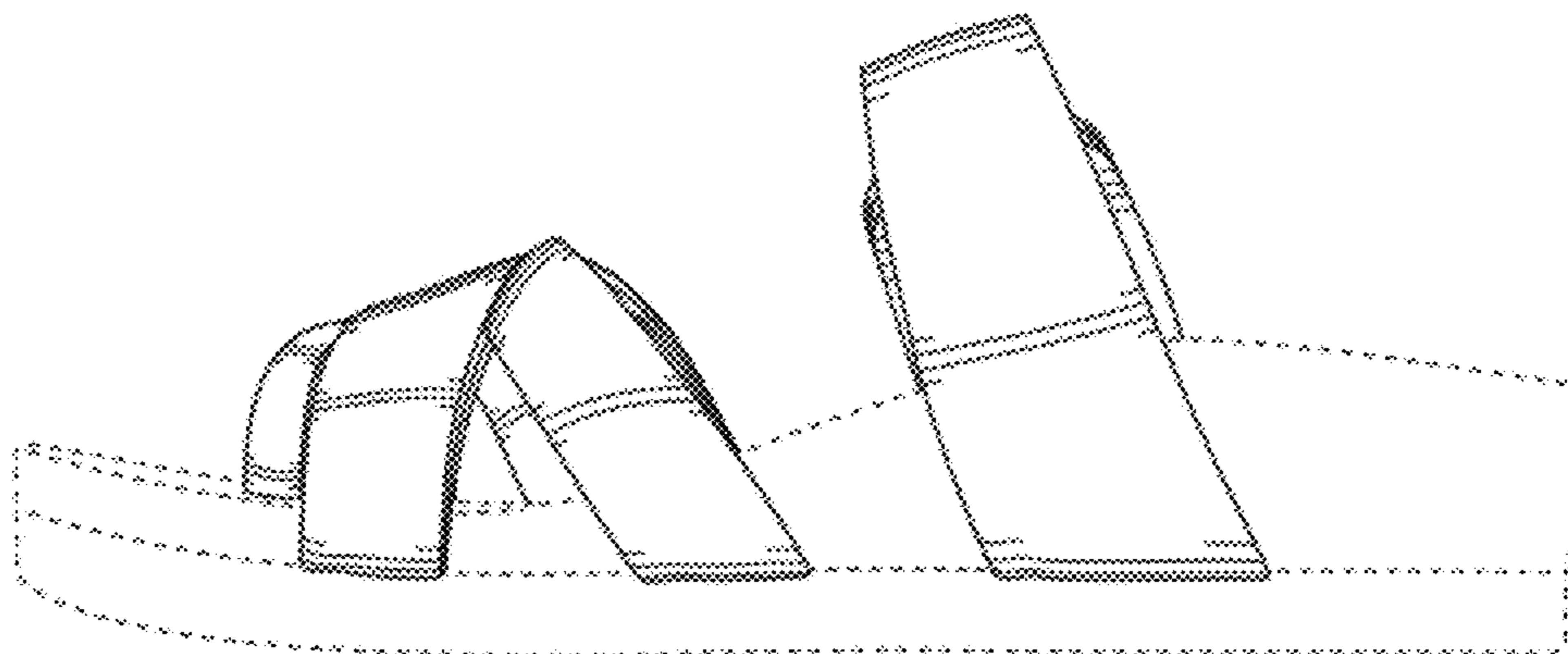


FIG. 3

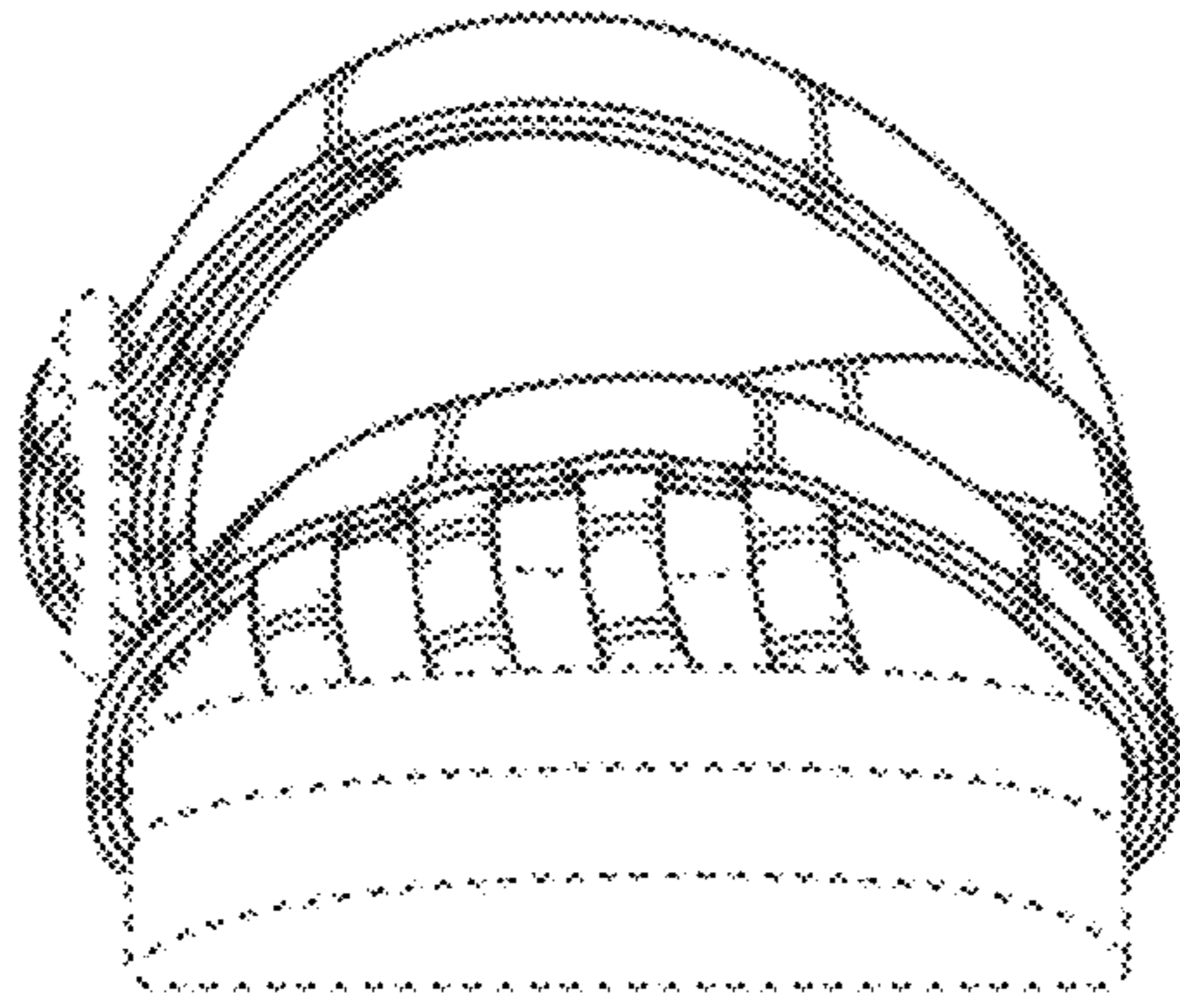


FIG. 4

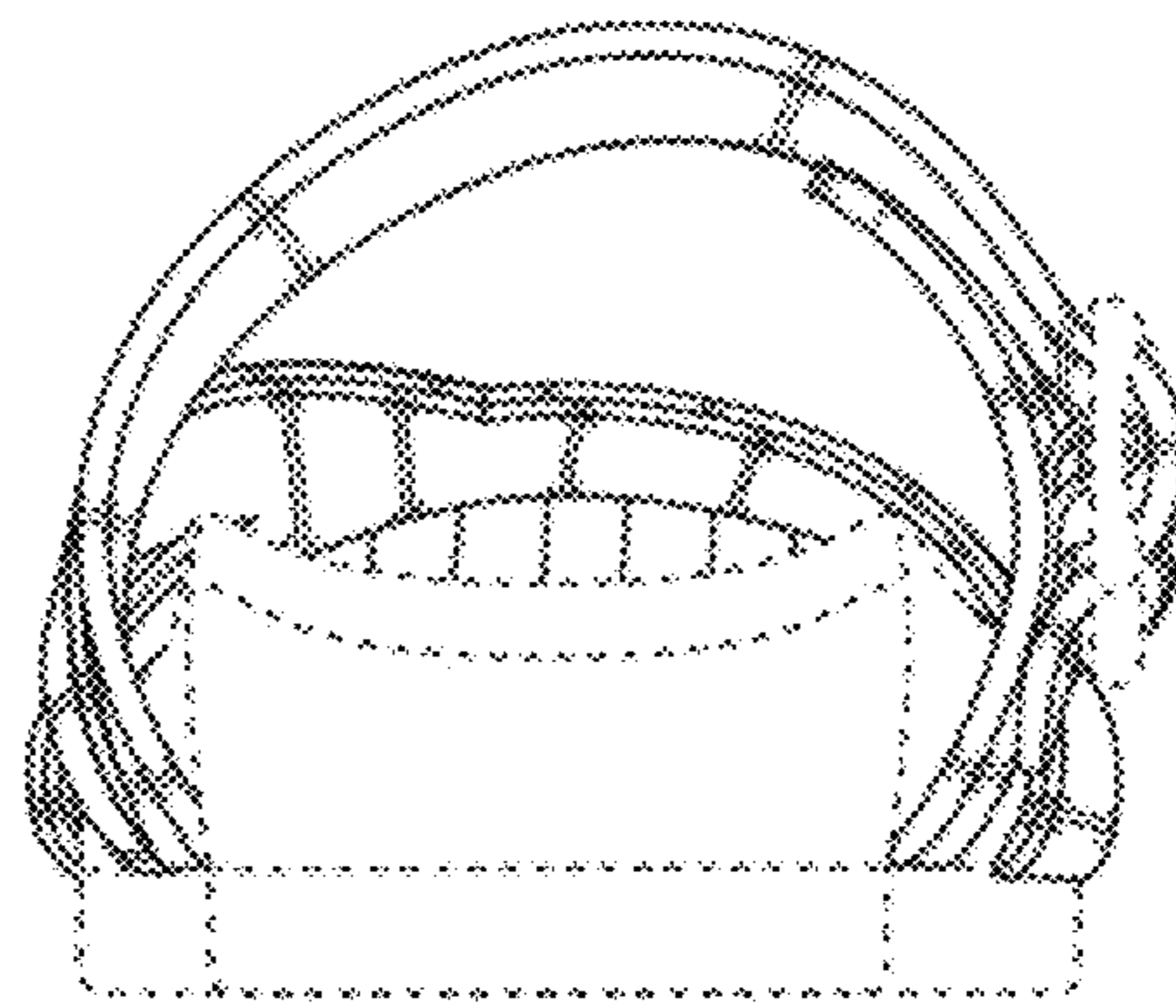


FIG. 5

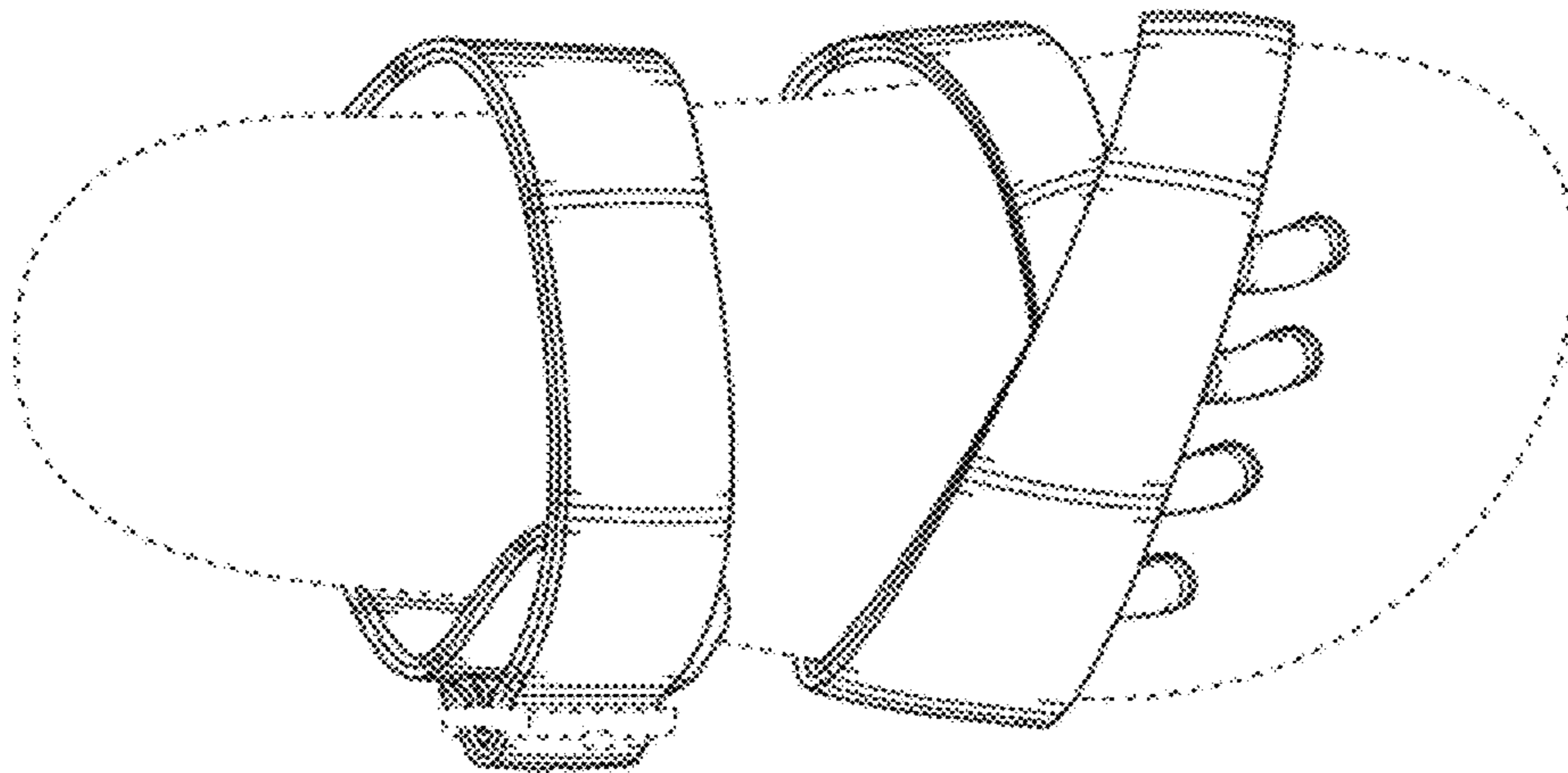


FIG. 6