



US00D659955S

(12) **United States Design Patent**
Dushey et al.

(10) **Patent No.:** **US D659,955 S**

(45) **Date of Patent:** **** May 22, 2012**

(54) **SANDAL**

(76) Inventors: **Selim Dushey**, Brooklyn, NY (US);
Stuart Alan Kalinsky, New York, NY
(US)

(**) Term: **14 Years**

(21) Appl. No.: **29/409,271**

(22) Filed: **Dec. 21, 2011**

(51) **LOC (9) Cl.** **02-04**

(52) **U.S. Cl.** **D2/916; D2/917**

(58) **Field of Classification Search** D2/896,
D2/900, 916-918, 943, 946, 957, 969; 36/45,
36/11.5, 90, 101, 3 A, 50.1, 7.5, 9 R, 43,
36/88, 94

See application file for complete search history.

(56) **References Cited**

U.S. PATENT DOCUMENTS

2,740,207 A * 4/1956 Starensier 602/31
6,151,801 A * 11/2000 Frederiksen et al. 36/11.5
D558,959 S * 1/2008 Kalinsky D2/916

D575,484 S * 8/2008 Kalinsky D2/917
D581,148 S * 11/2008 Kalinsky D2/969
D591,936 S * 5/2009 Frederiksen et al. D2/917
D593,733 S * 6/2009 Frederiksen et al. D2/917
D646,870 S * 10/2011 Patterson D2/917

* cited by examiner

Primary Examiner — Robert M Spear

Assistant Examiner — Rashida C McCoy

(74) *Attorney, Agent, or Firm* — Israel Nissenbaum

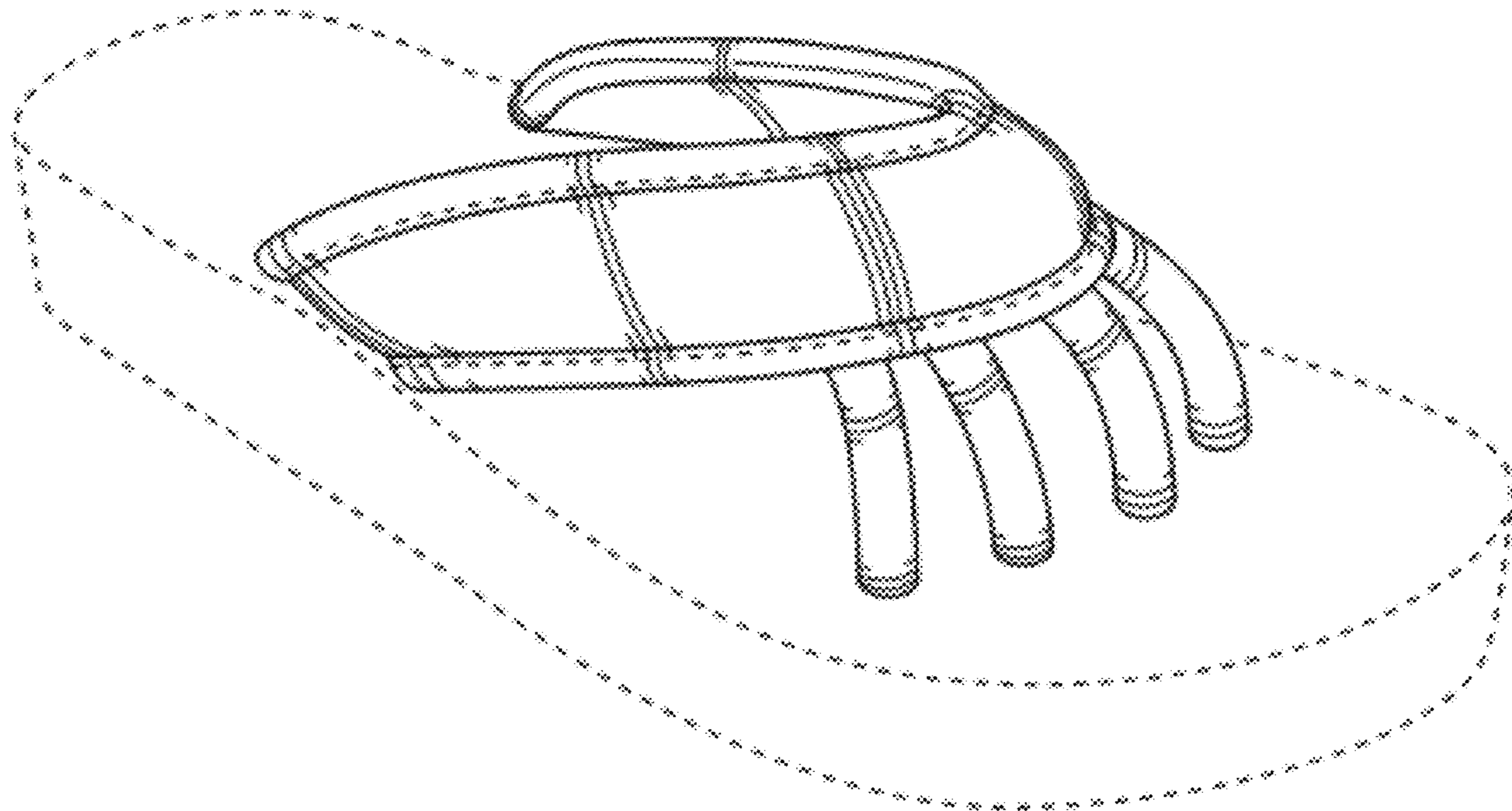
(57) **CLAIM**

The ornamental design for a sandal, as shown and described.

DESCRIPTION

FIG. 1 is a right side perspective view of a design of a sandal.
FIG. 2 shows a right side view of the sandal of FIG. 1.
FIG. 3 shows a left side view of the sandal of FIG. 1.
FIG. 4 shows a front view of the sandal of FIG. 1.
FIG. 5 shows a rear view of the sandal of FIG. 1; and,
FIG. 6 shows a top view of the sandal of FIG. 1.
The dashed lines show unclaimed environment.

1 Claim, 3 Drawing Sheets



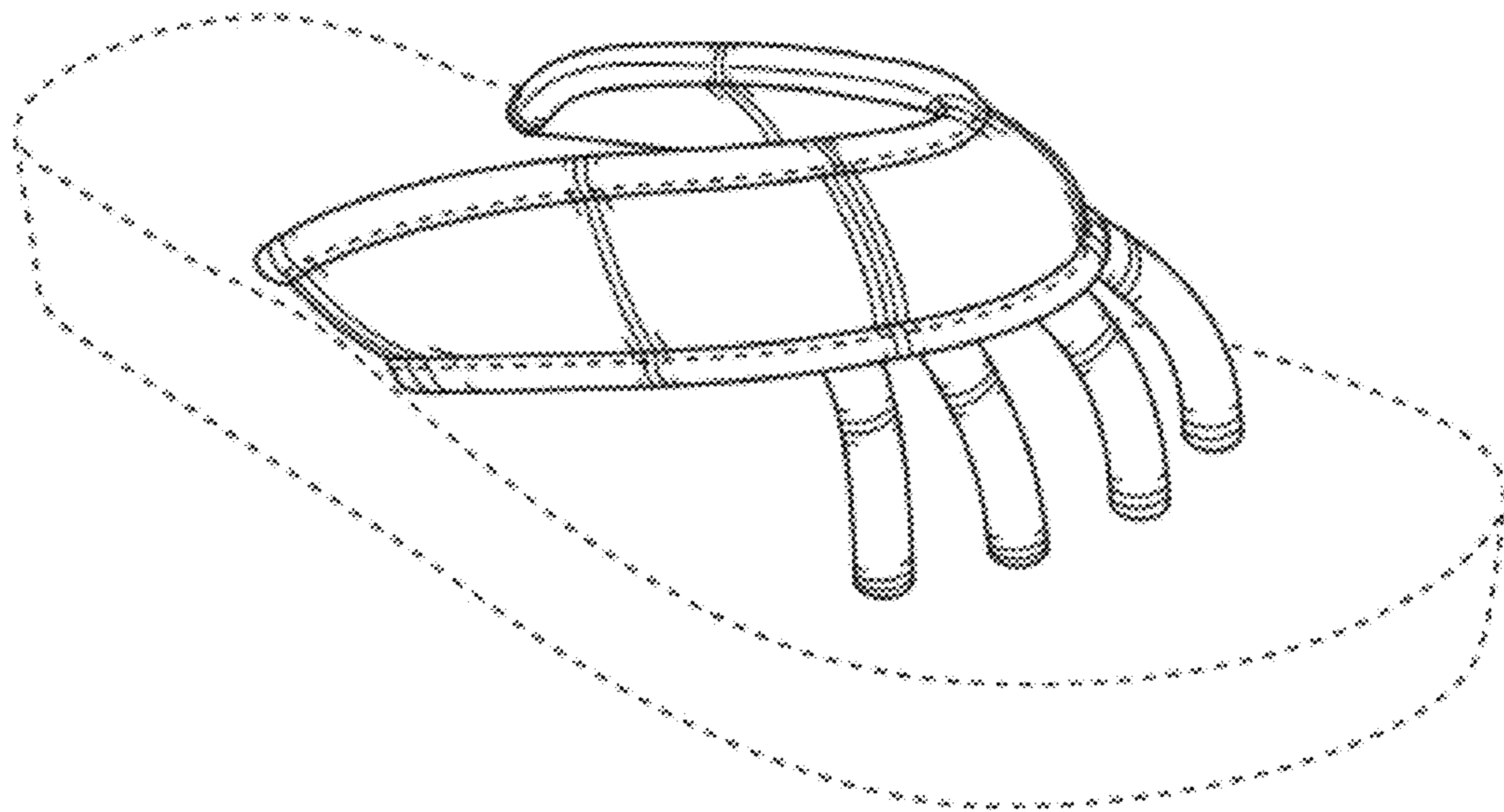


FIG. 1

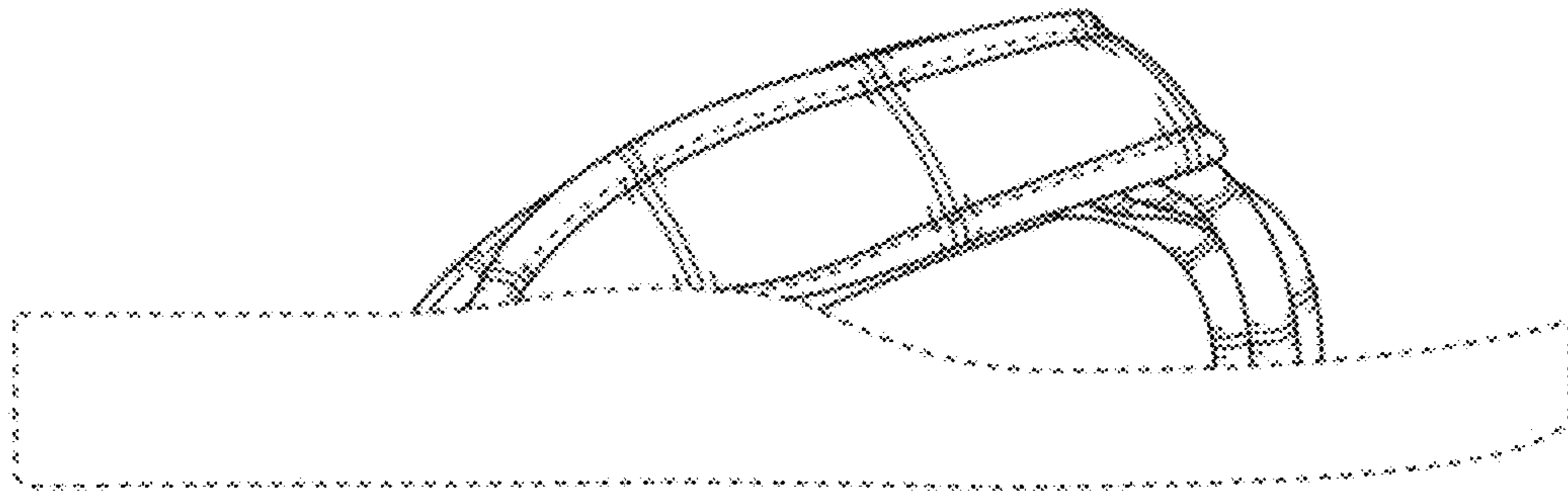


FIG. 2

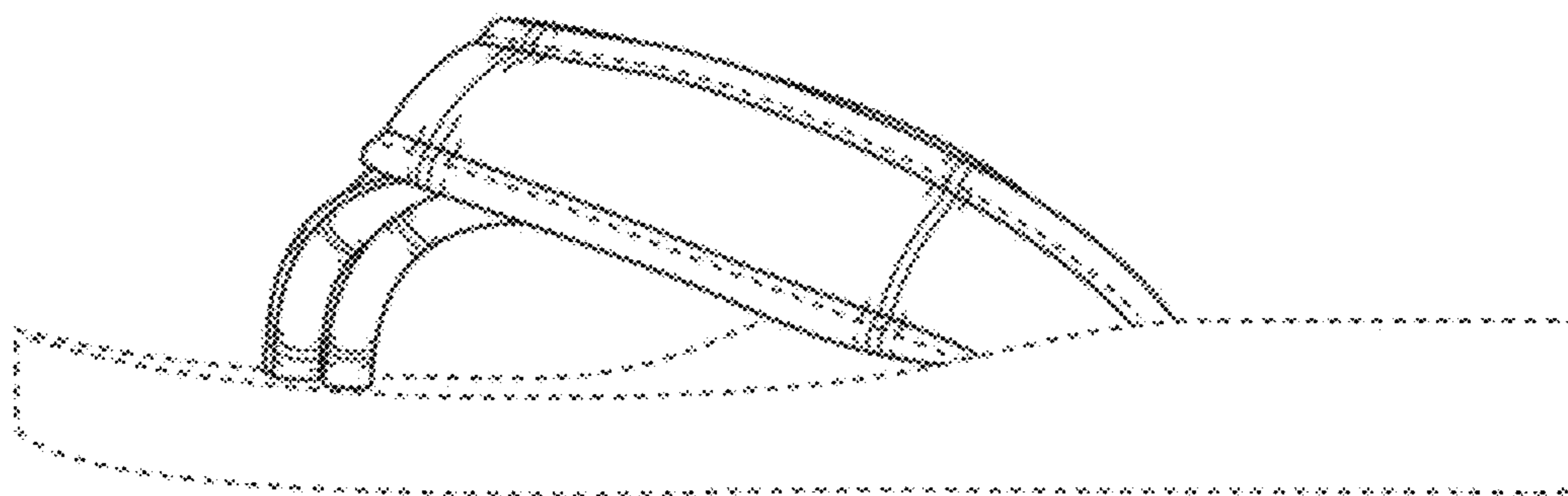


FIG. 3

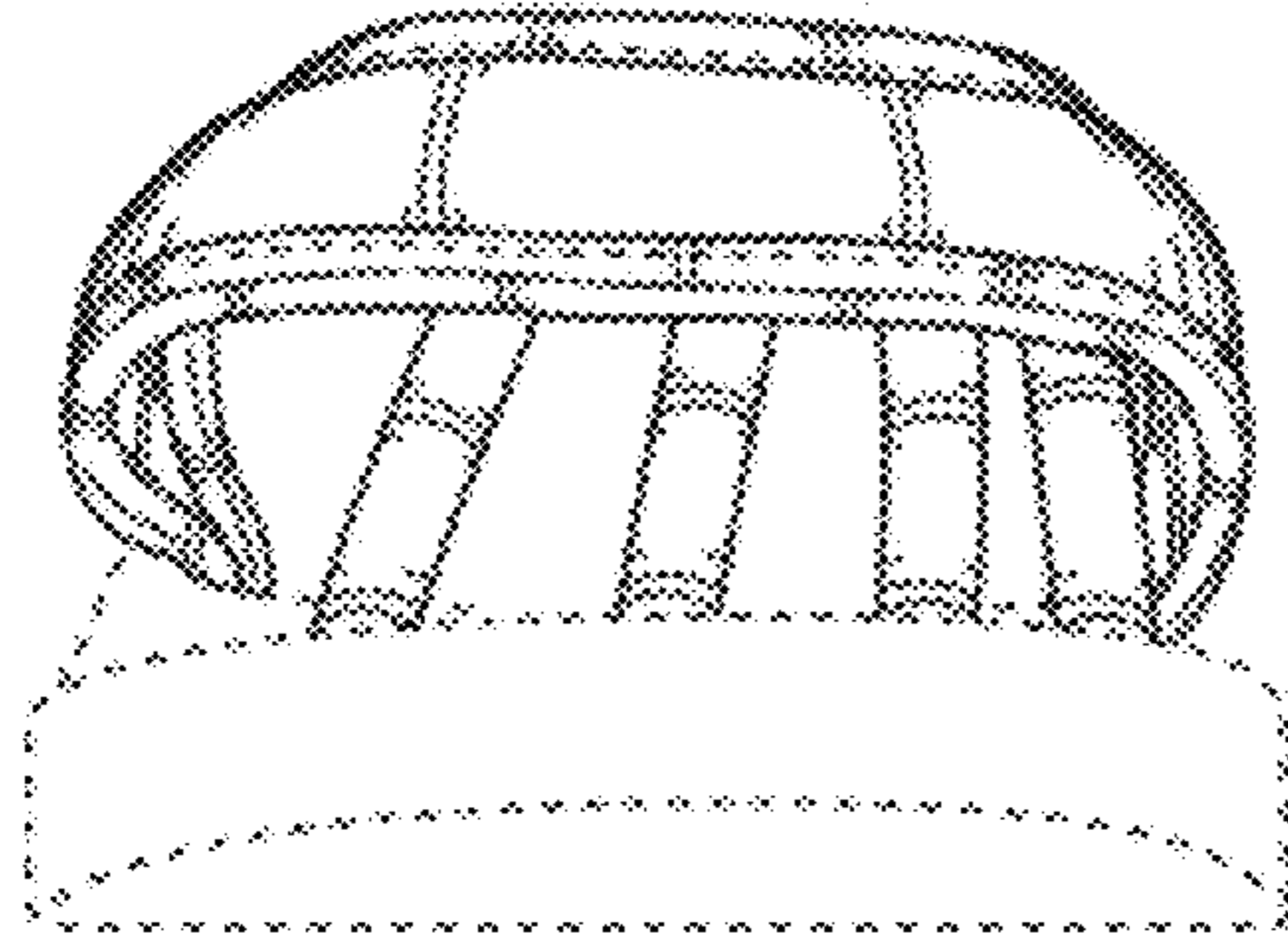


FIG. 4

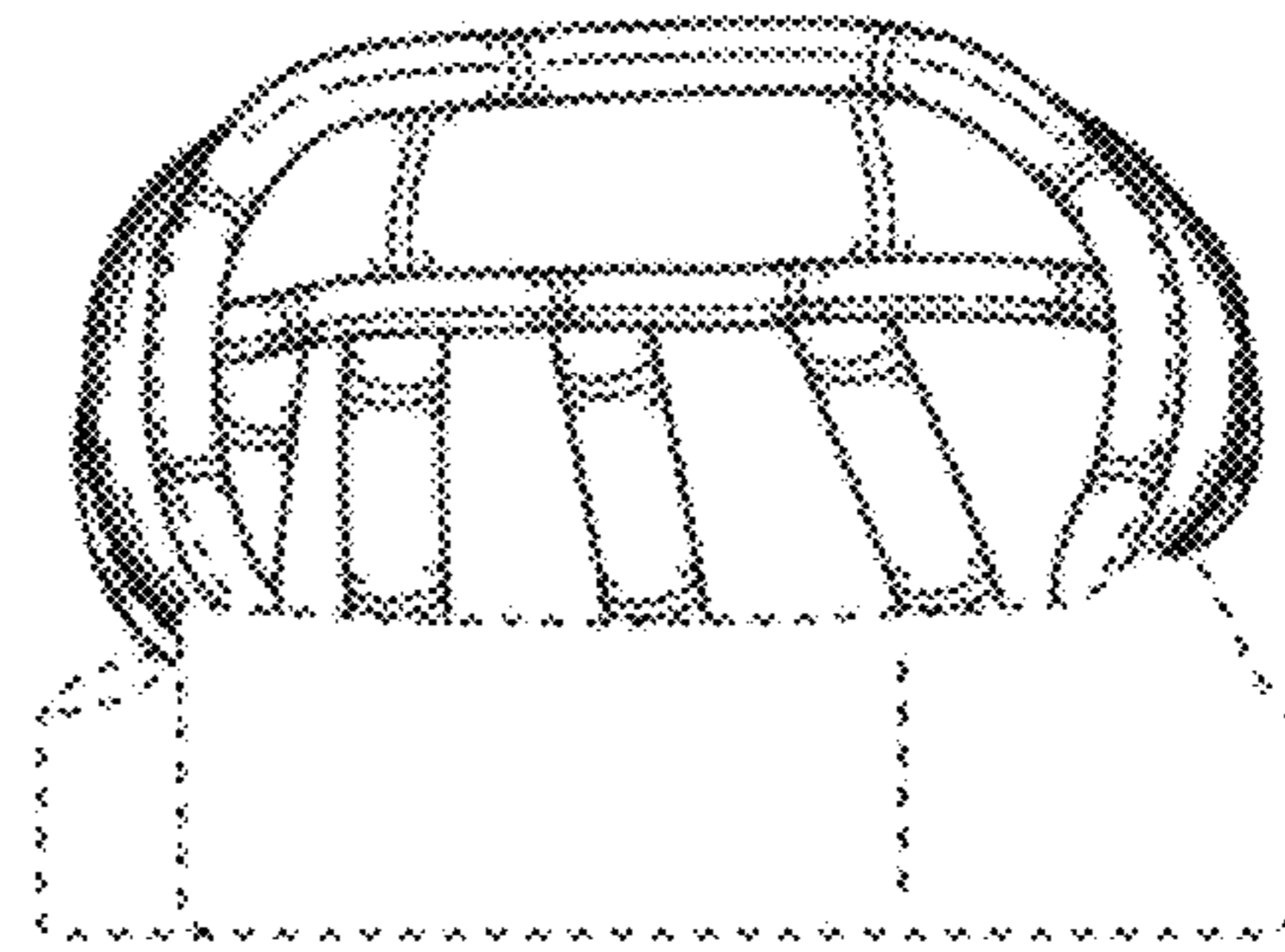


FIG. 5

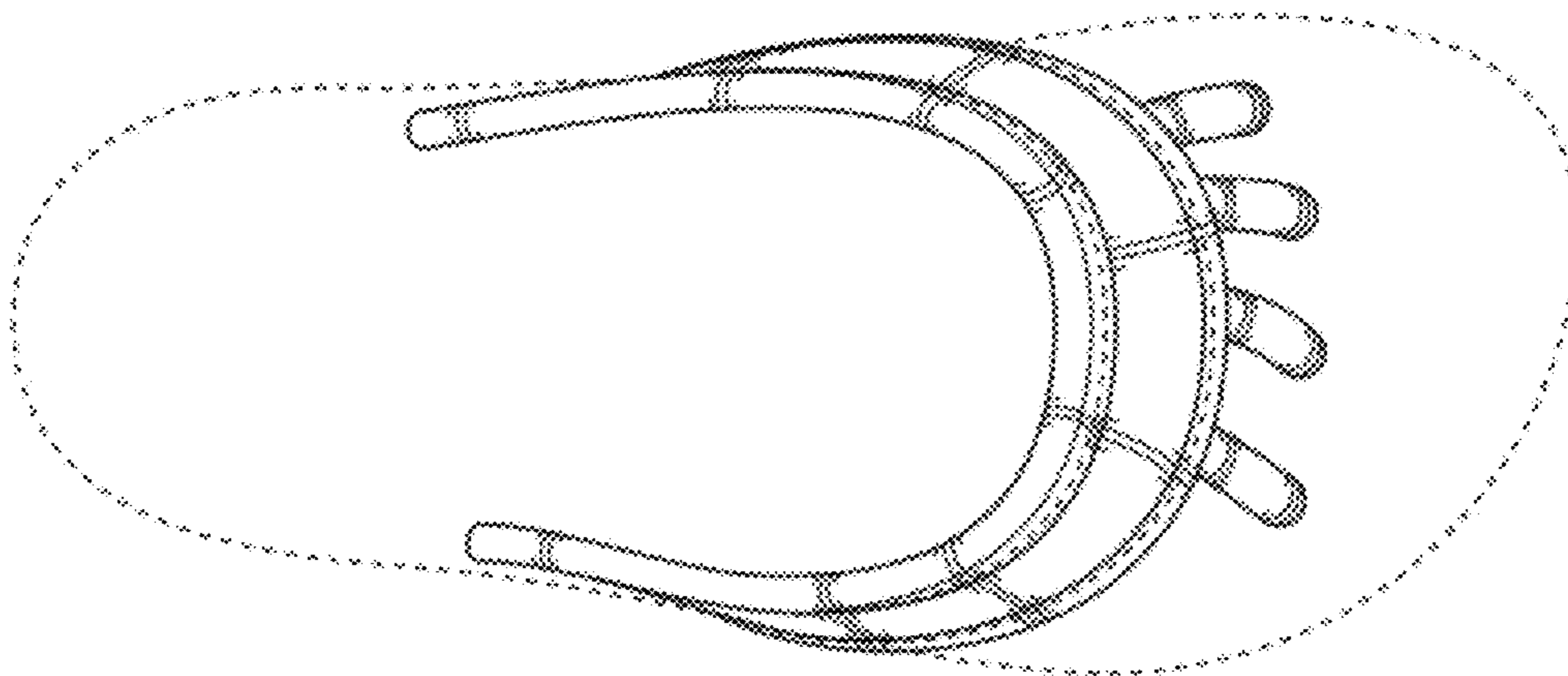


FIG. 6