



US00D659949S

(12) **United States Design Patent**
Leal

(10) **Patent No.:** **US D659,949 S**

(45) **Date of Patent:** **** May 22, 2012**

(54) **SHIRT**

(76) Inventor: **Jimmy Jay Leal**, Houston, TX (US)

(**) Term: **14 Years**

(21) Appl. No.: **29/401,811**

(22) Filed: **Sep. 15, 2011**

(51) **LOC (9) Cl.** **02-02**

(52) **U.S. Cl.** **D2/717**

(58) **Field of Classification Search** D2/717,
D2/741, 749, 840, 841, 844, 845, 847; 2/90,
2/113, 114, 115

See application file for complete search history.

(56) **References Cited**

U.S. PATENT DOCUMENTS

D175,789 S *	10/1955	Massey	D5/65
2,750,595 A *	6/1956	Hollinger	2/113
2,858,541 A *	11/1958	Mangan	2/113
D193,497 S *	9/1962	Kelley	D2/853
D193,498 S *	9/1962	Kelley	D2/853
D266,541 S *	10/1982	Perry	D2/717
4,591,521 A	5/1986	Freno		
4,815,149 A	3/1989	Erhardt		
4,837,864 A	6/1989	Thill		

5,007,113 A	4/1991	Bouadjadja		
5,169,701 A	12/1992	Sander		
5,222,259 A	6/1993	Bristor		
RE35,245 E	5/1996	Donsky		
5,544,365 A	8/1996	Mondy		
5,933,866 A	8/1999	Fox		
6,139,928 A	10/2000	Sloot		
6,322,866 B1	11/2001	Sloot		
7,000,254 B1 *	2/2006	Stanley	2/69
2006/0218693 A1 *	10/2006	Sinohui	2/115

* cited by examiner

Primary Examiner — Rashida Johnson

(74) *Attorney, Agent, or Firm* — Keeling Patents & Trademarks, LLC; Heather N. Schmidt; Melissa M. Martinez

(57) **CLAIM**

The ornamental design for a shirt, as shown.

DESCRIPTION

FIG. 1 is a perspective back left view of the shirt.

FIG. 2 is a front view of the shirt.

FIG. 3 is a back view of the shirt

FIG. 4 is a left side view of the shirt.

FIG. 5 is a right side view of the shirt.

FIG. 6 is a top plan view of the shirt; and,

FIG. 7 is a bottom plan view of the shirt.

1 Claim, 7 Drawing Sheets

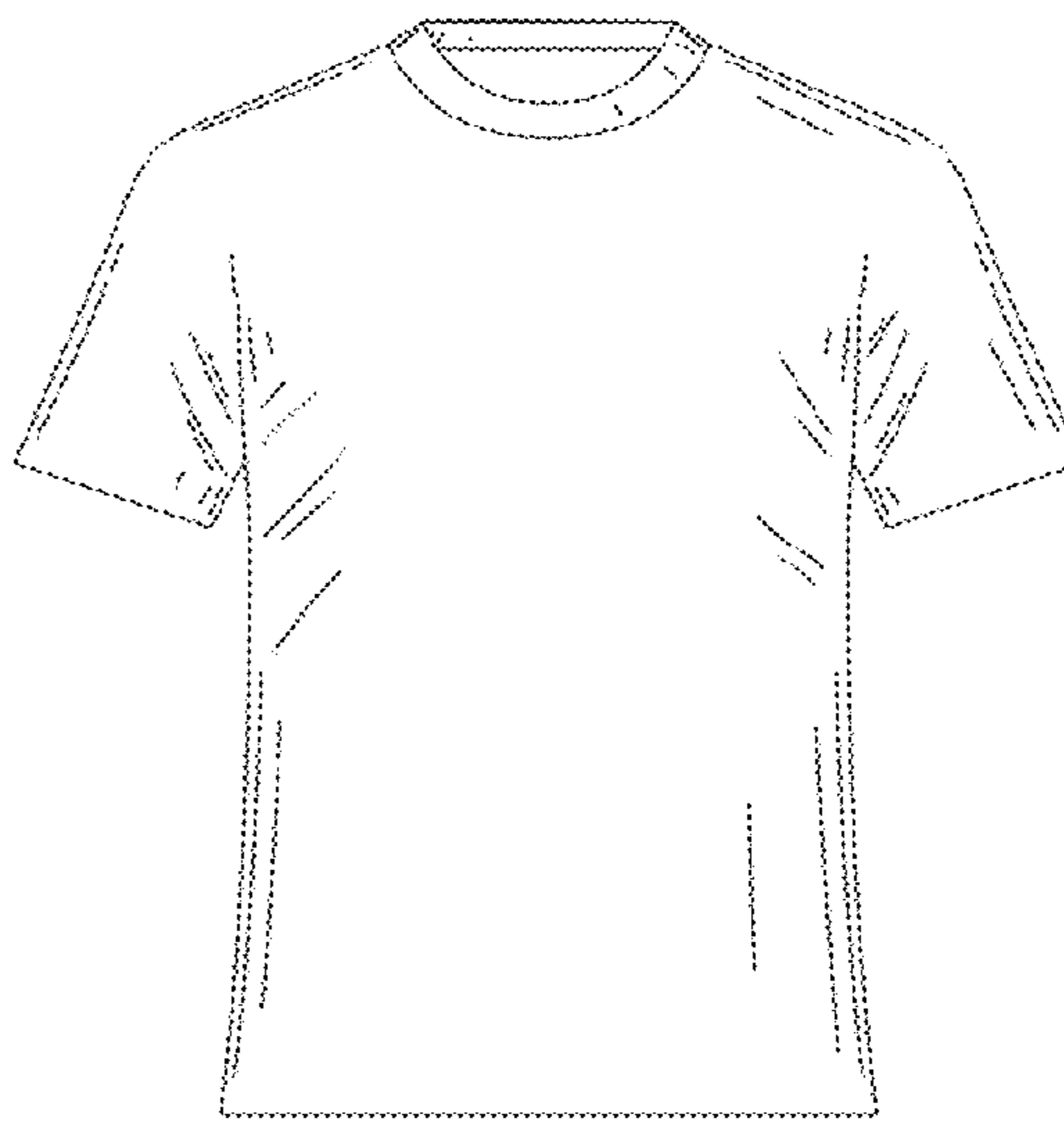
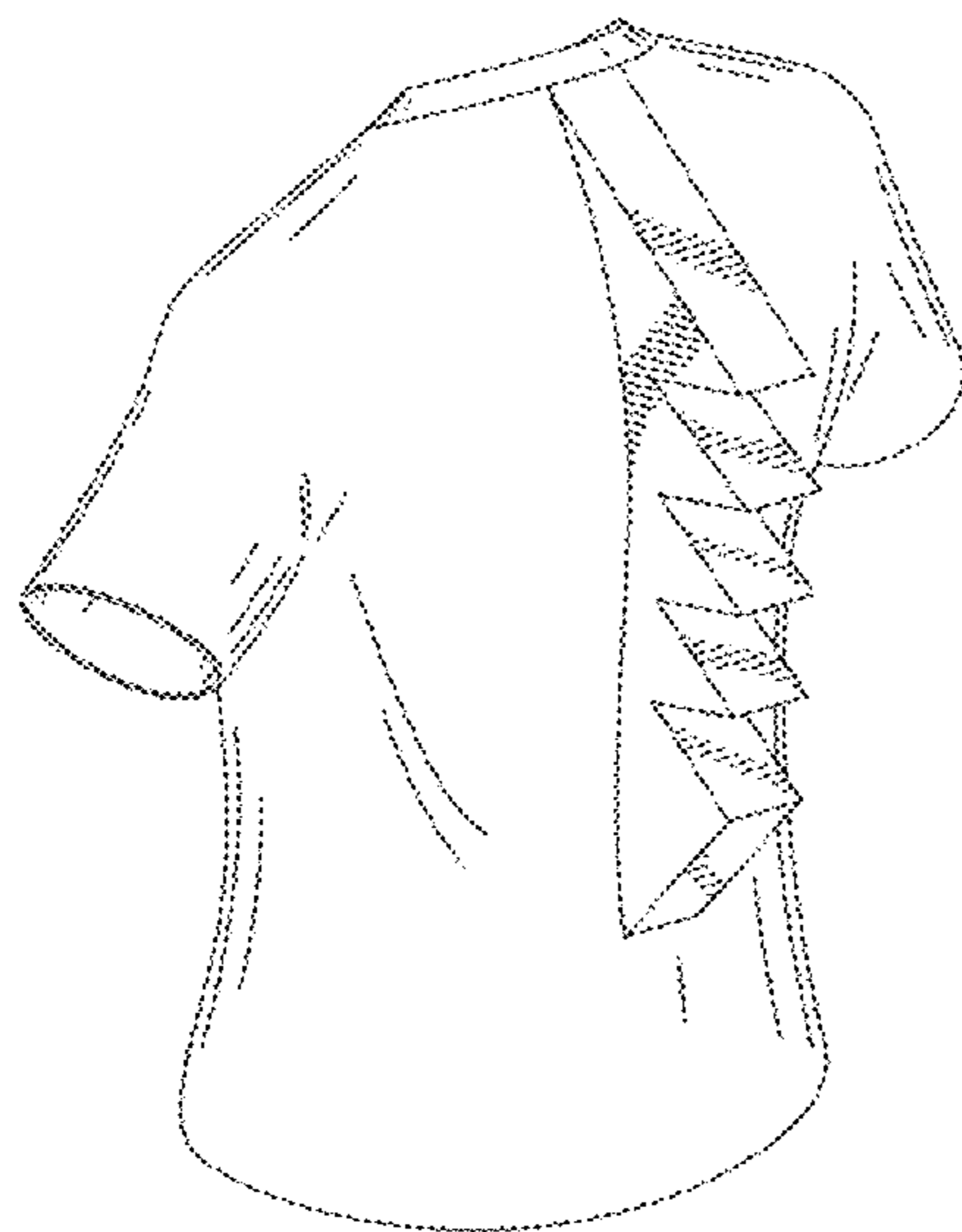




FIG. 1

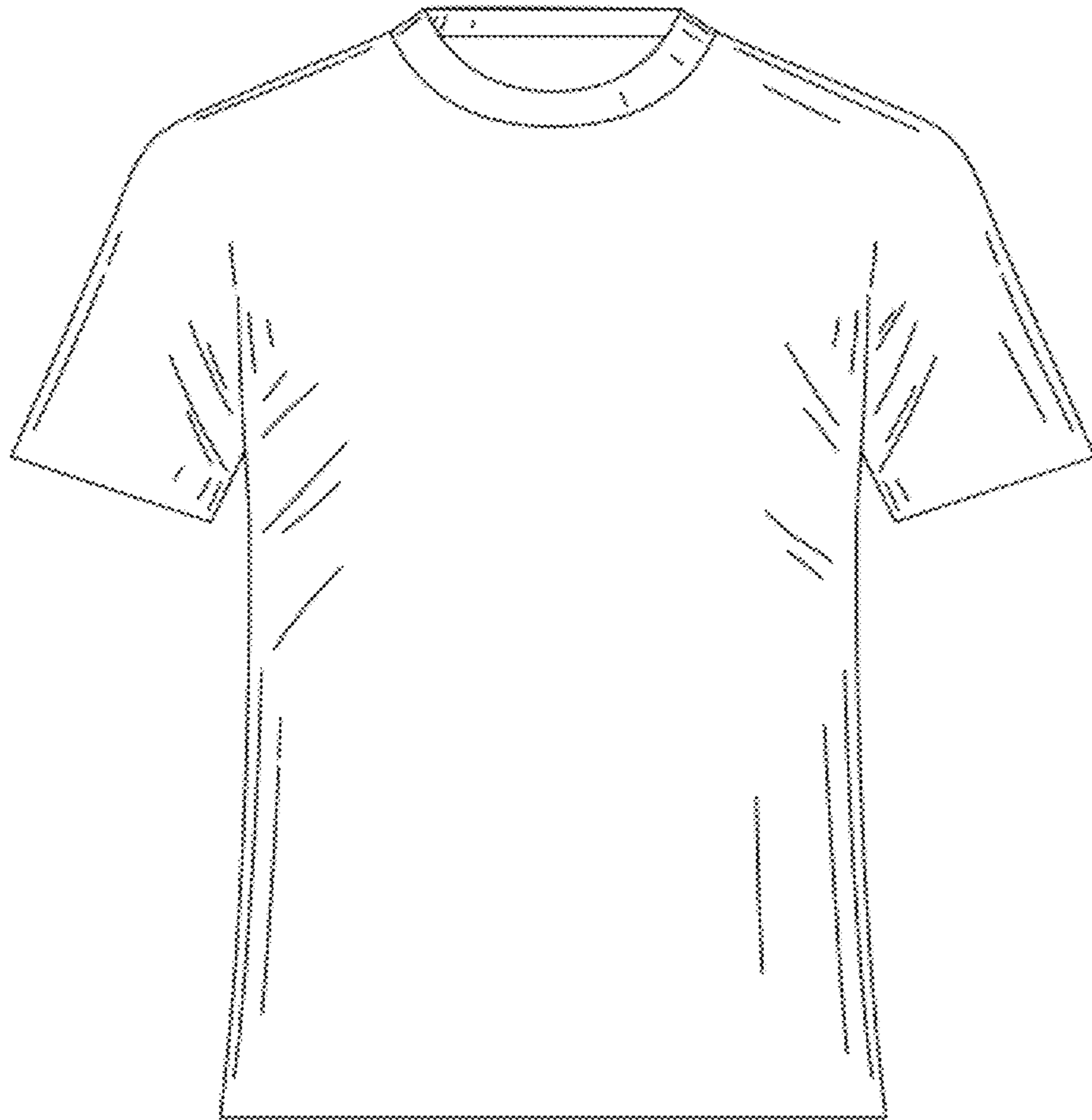


FIG. 2

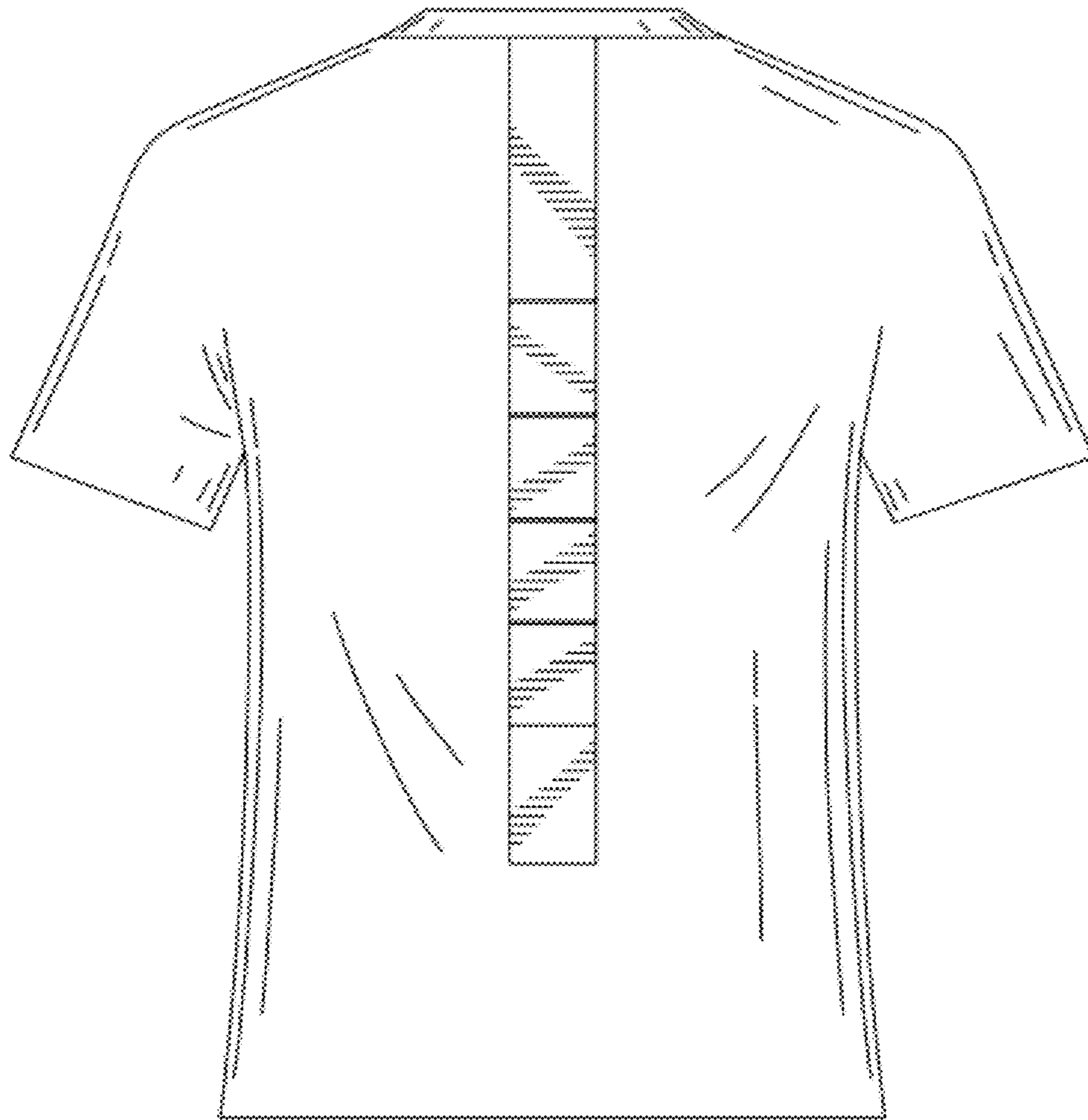


FIG. 3

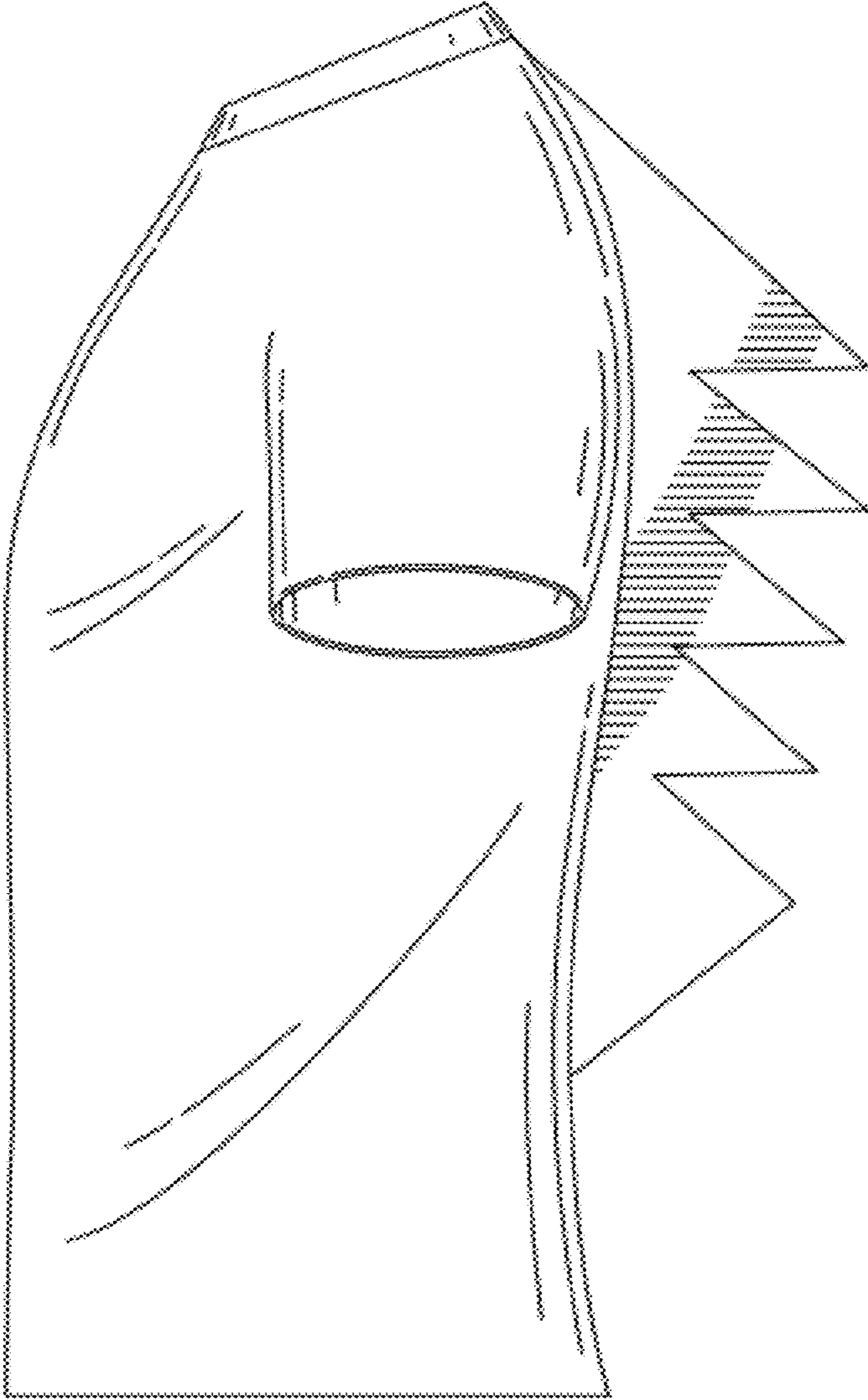


FIG. 4

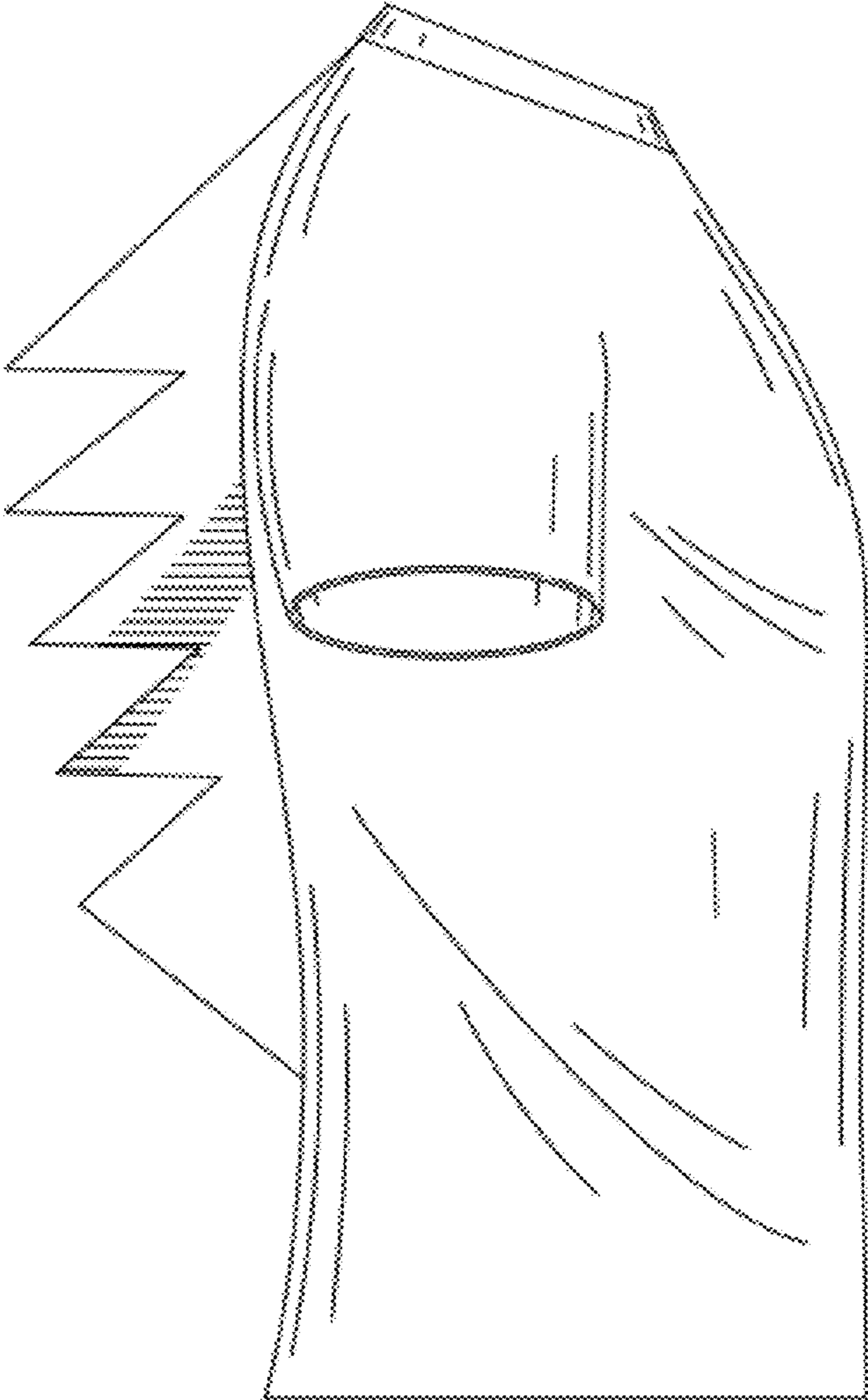


FIG. 5

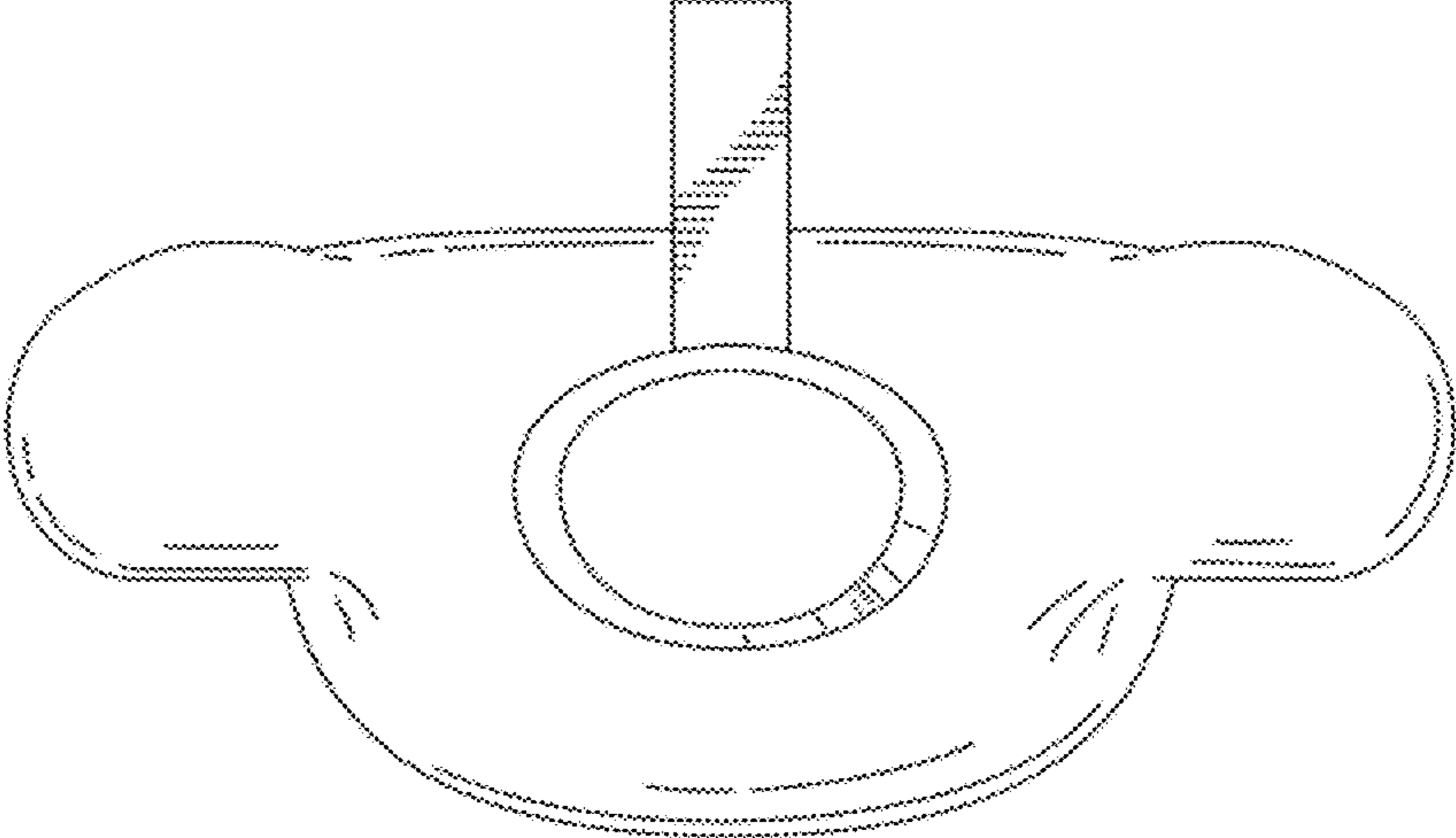


FIG. 6

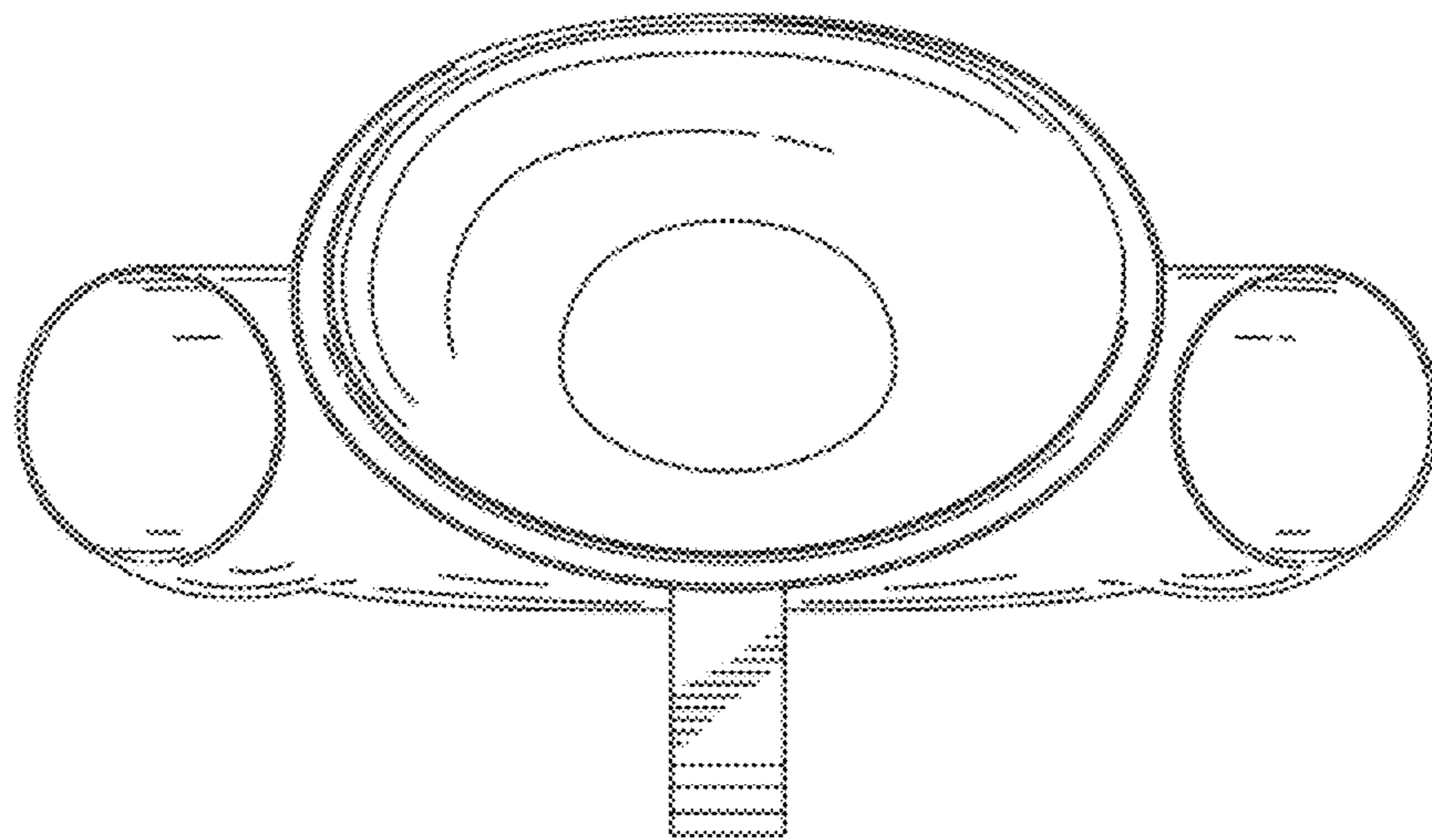


FIG. 7