



US00D659948S

(12) **United States Design Patent**  
**Weakley**

(10) **Patent No.:** **US D659,948 S**

(45) **Date of Patent:** **\*\* May 22, 2012**

(54) **BOOT JACK**

(76) Inventor: **John Weakley**, Evergreen, CO (US)

(\*\*) Term: **14 Years**

(21) Appl. No.: **29/400,485**

(22) Filed: **Aug. 29, 2011**

(51) **LOC (9) Cl.** ..... **07-99**

(52) **U.S. Cl.** ..... **D2/642**

(58) **Field of Classification Search** ..... D2/641-642;  
223/111-112, 120

See application file for complete search history.

(56) **References Cited**

**U.S. PATENT DOCUMENTS**

28,927	A *	6/1860	Wheeler	.....	223/113
3,604,604	A *	9/1971	Ahn	.....	223/111
D257,188	S *	10/1980	Blicha	.....	D2/642
D317,077	S *	5/1991	Schulz	.....	D2/642

D372,113	S *	7/1996	Palmer et al.	.....	D2/641
5,566,868	A *	10/1996	Mariscal et al.	.....	223/113
2010/0264174	A1 *	10/2010	Anderson, Jr.	.....	223/113

\* cited by examiner

*Primary Examiner* — T. Chase Nelson

*Assistant Examiner* — Kathleen M Sims

(74) *Attorney, Agent, or Firm* — Michael Ries

(57) **CLAIM**

The ornamental design for a boot jack, as shown and described.

**DESCRIPTION**

FIG. 1 is a side perspective view of a boot jack showing my new design;

FIG. 2 is a side elevational view thereof;

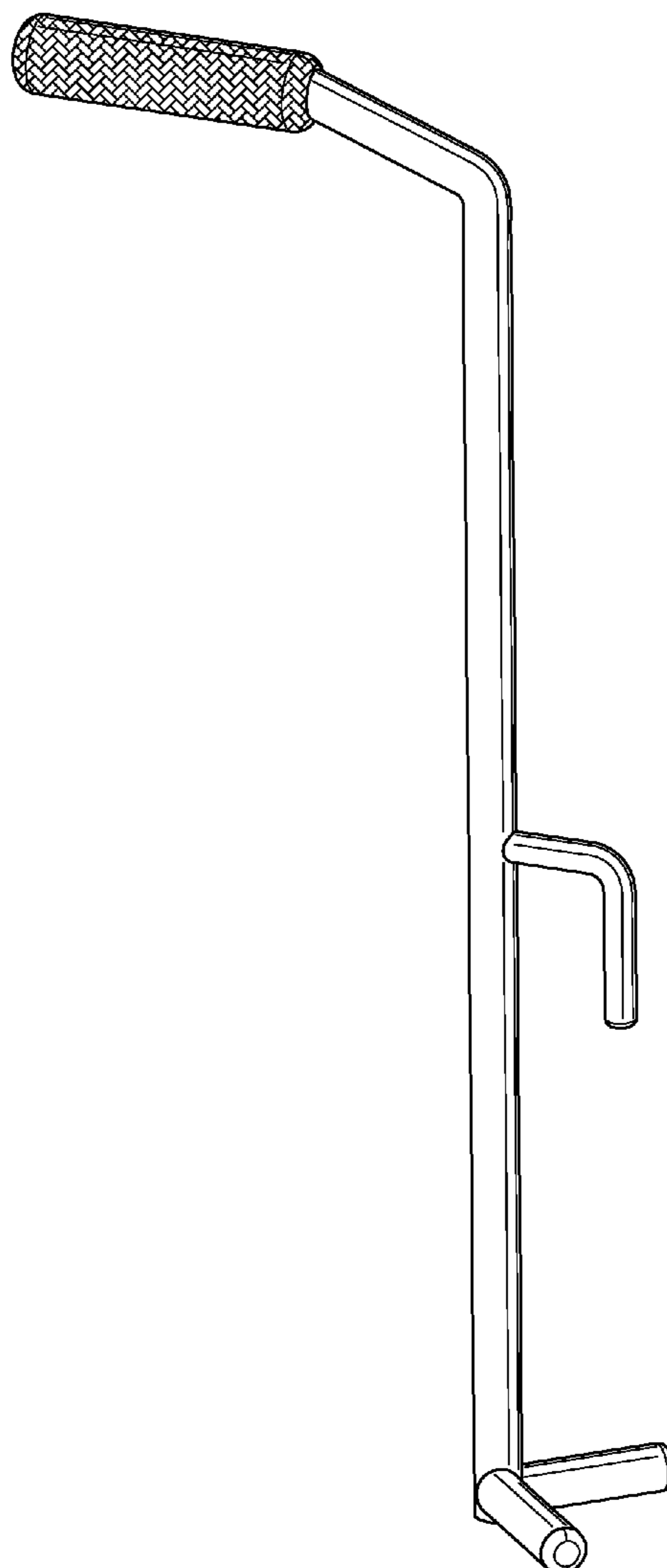
FIG. 3 is a front view thereof;

FIG. 4 is a back view thereof;

FIG. 5 is a bottom plan view thereof; and,

FIG. 6 is a top plan view thereof.

**1 Claim, 6 Drawing Sheets**



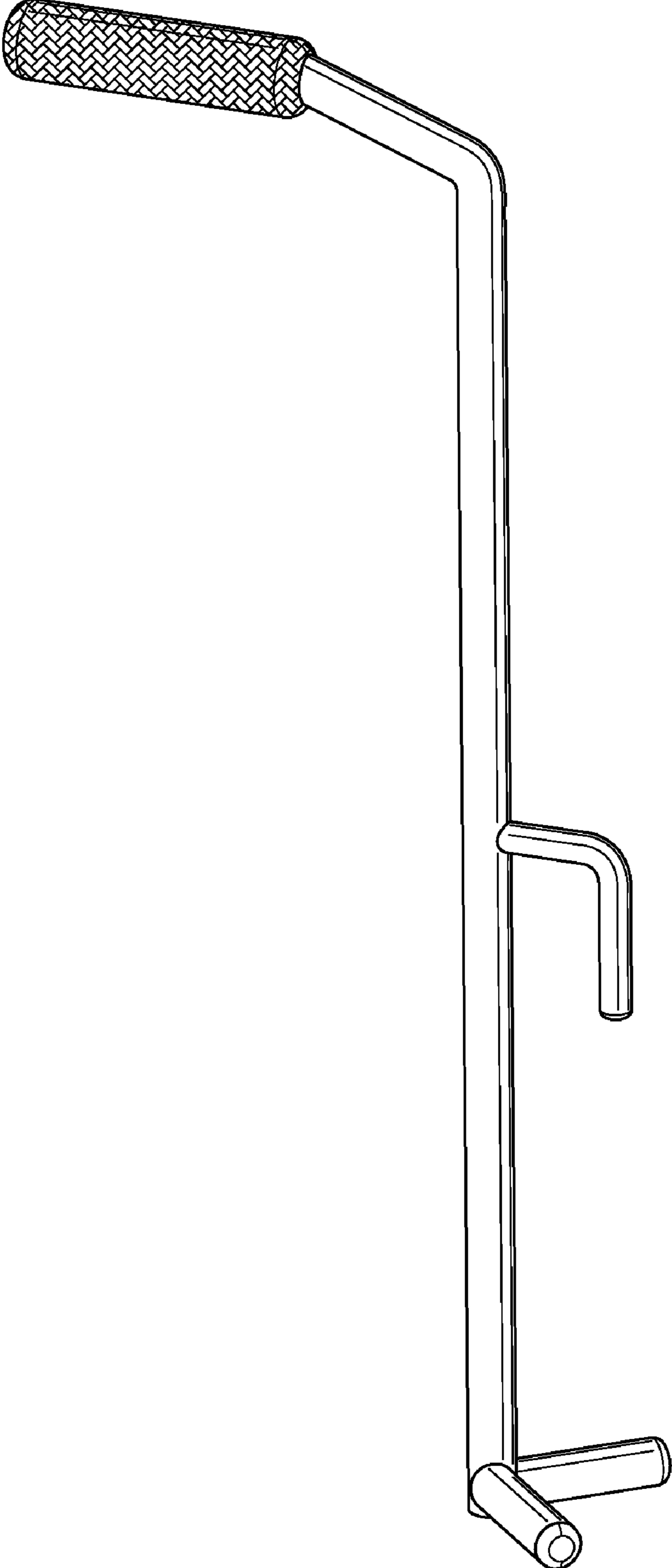


FIG. 1

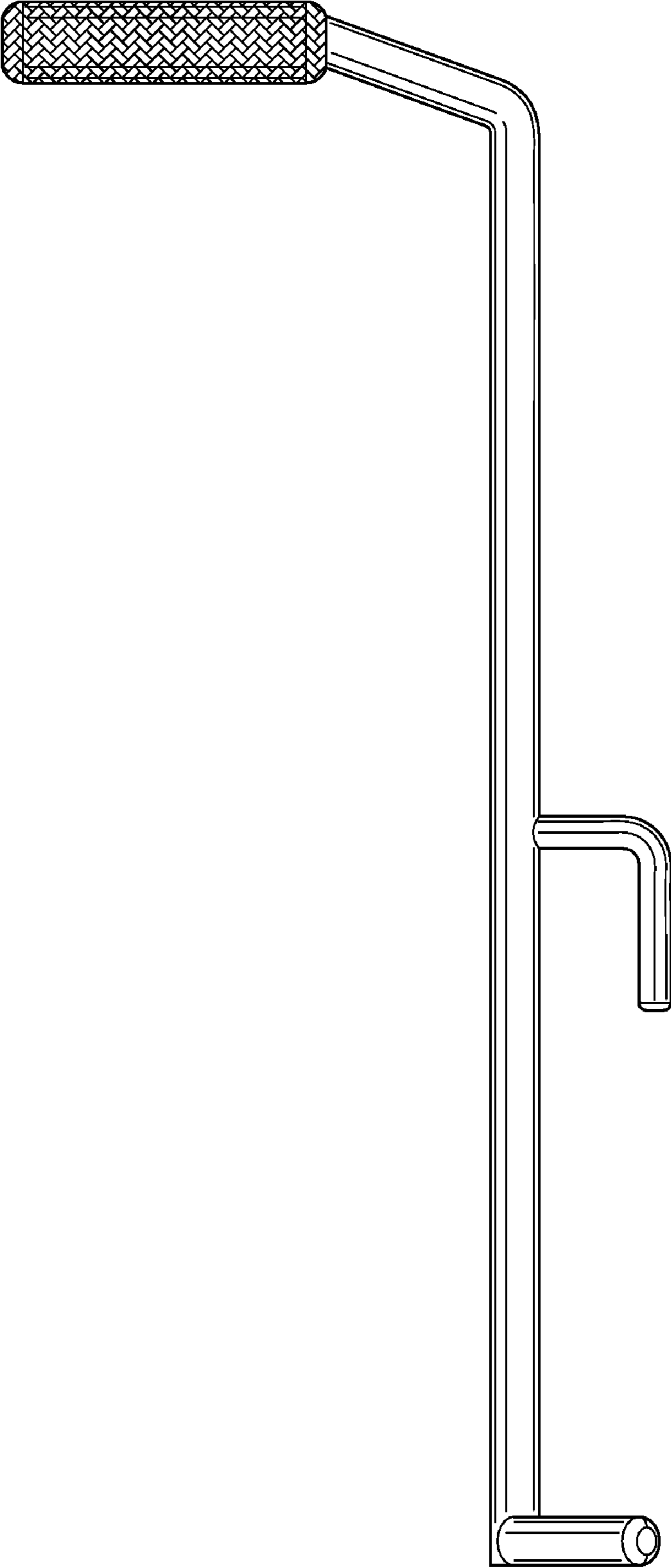


FIG. 2

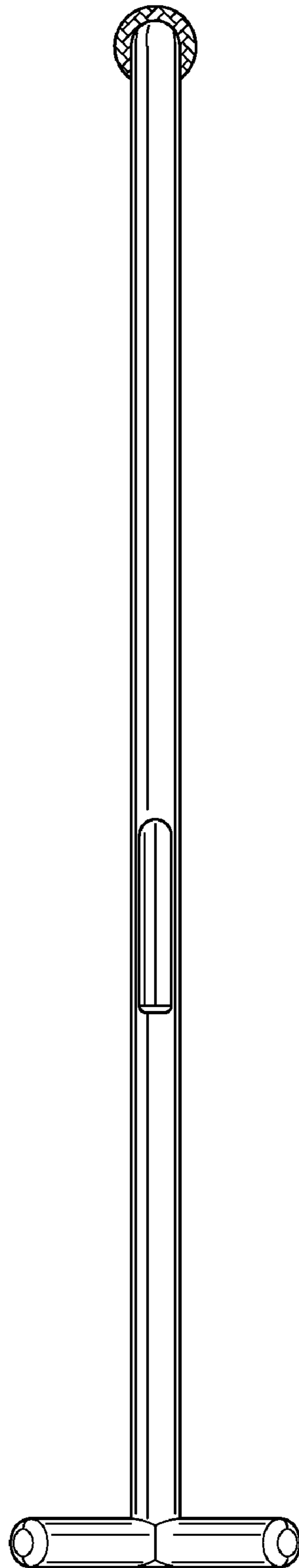


FIG. 3

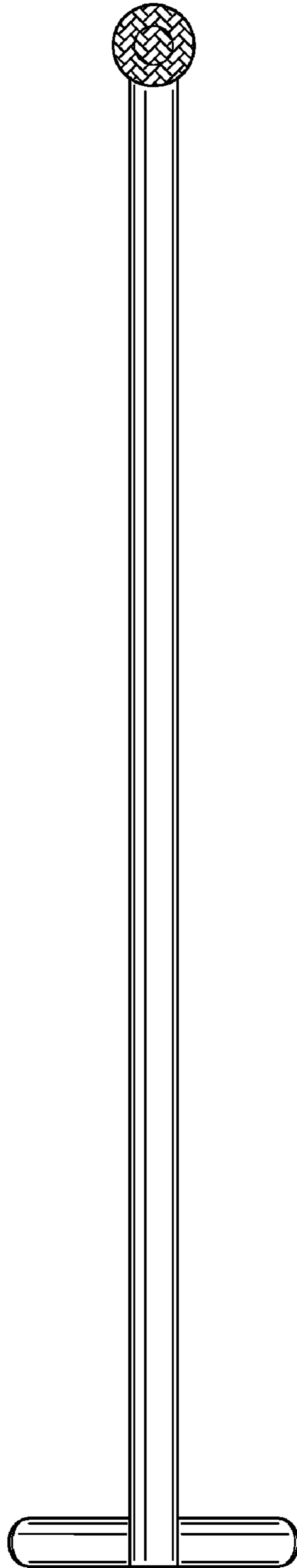


FIG. 4

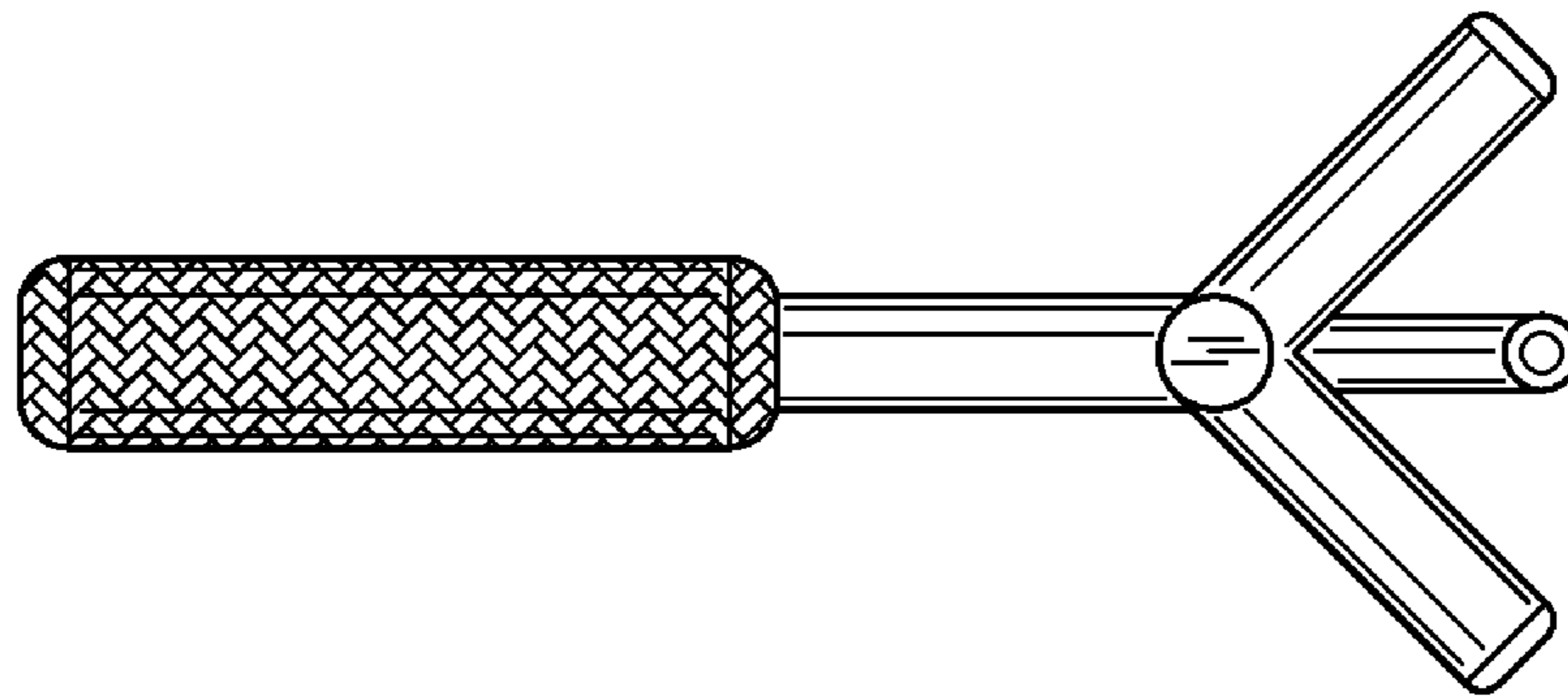


FIG. 5

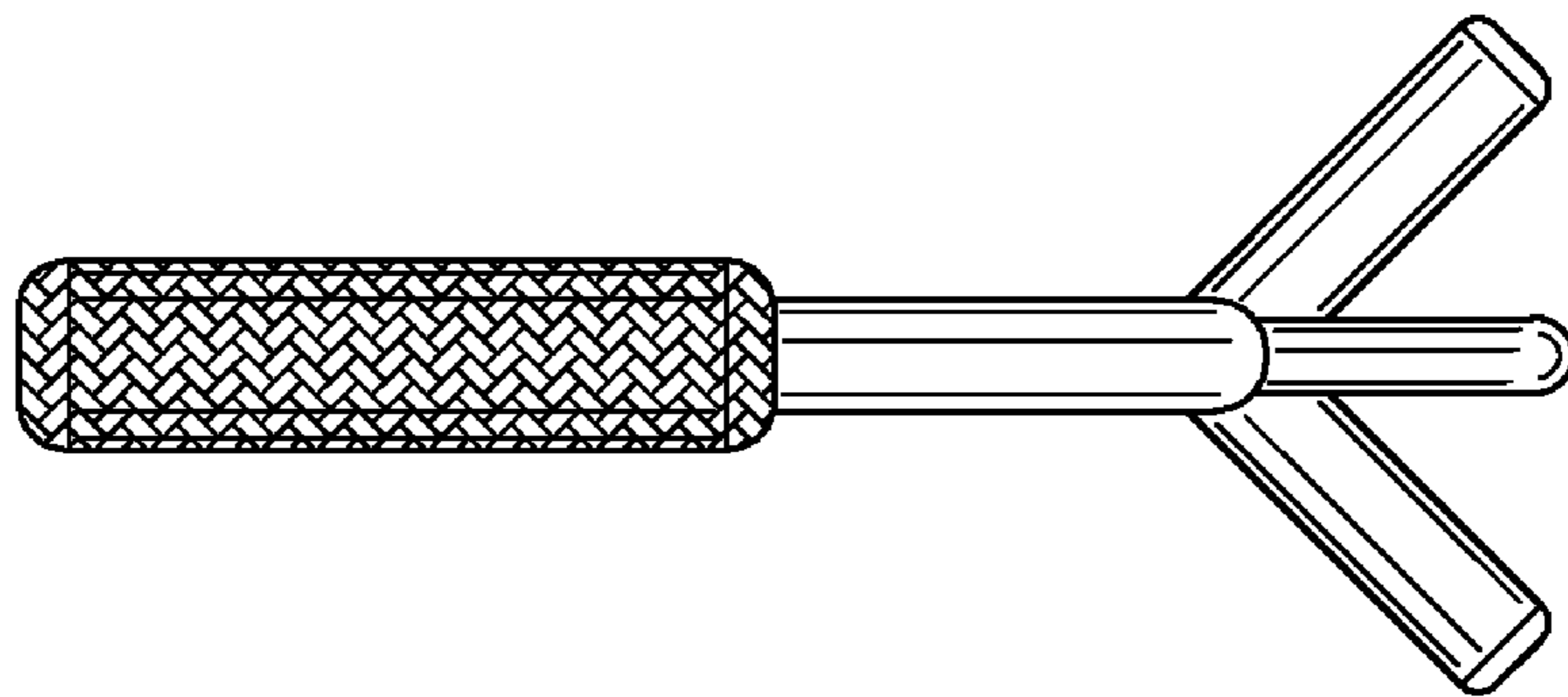


FIG. 6