



US00D659940S

(12) **United States Design Patent**  
**Sharp**

(10) **Patent No.:** **US D659,940 S**

(45) **Date of Patent:** **\*\* May 15, 2012**

(54) **ADJUSTABLE-WIDTH PALLET AND PRODUCT PROTECTOR**

(76) Inventor: **Geoffrey R. Sharp**, Visalia, CA (US)

(\*\*) Term: **14 Years**

(21) Appl. No.: **29/402,924**

(22) Filed: **Sep. 29, 2011**

(51) **LOC (9) Cl.** ..... **12-05**

(52) **U.S. Cl.** ..... **D34/35**

(58) **Field of Classification Search** ..... D34/34,  
D34/38, 35; 187/237, 222, 230; 414/668,  
414/629, 785, 671, 618, 632; 108/27, 29,  
108/56.3, 57.19, 57.33; 211/131

See application file for complete search history.

(56) **References Cited**

U.S. PATENT DOCUMENTS

2,668,602	A	2/1954	Cushman	
2,847,138	A	8/1958	Backofen et al.	
2,956,701	A	10/1960	Larson	
3,232,380	A	2/1966	Hansen	
3,272,287	A	9/1966	Easton	
3,625,385	A *	12/1971	Ide	414/785
3,826,392	A	7/1974	Farley	
4,102,464	A	7/1978	Schuster	
D249,663	S	9/1978	Willett	
4,239,446	A	12/1980	Vucinic	
4,421,449	A	12/1983	Cotton	
4,505,635	A *	3/1985	Shinoda et al.	414/667
4,708,576	A	11/1987	Conley	
D297,848	S	9/1988	Burenga	
D354,607	S *	1/1995	Lanigan et al.	D34/33
5,618,159	A	4/1997	Wilson	
D463,894	S *	10/2002	Ghafourian et al.	D34/38
6,533,526	B2	3/2003	Lindgren et al.	
6,672,823	B2 *	1/2004	Henning	414/667
6,902,039	B2	6/2005	Kunch	
D535,805	S	1/2007	Stark	
7,195,105	B2	3/2007	Tygar	
D551,423	S	9/2007	Kodama et al.	
7,588,409	B2 *	9/2009	Froni	414/667
7,632,055	B2 *	12/2009	Froni	414/667
7,730,599	B2	6/2010	Tyree	
D647,274	S *	10/2011	Sharp	D34/35
D649,735	S *	11/2011	Sharp	D34/35
2005/0196265	A1	9/2005	Moore et al.	

2010/0101895 A1 4/2010 Collins et al.  
2011/0139546 A1 6/2011 Look  
2011/0198157 A1\* 8/2011 Sharp ..... 187/222

\* cited by examiner

*Primary Examiner* — Cynthia Ramirez

(74) *Attorney, Agent, or Firm* — Maier & Maier, PLLC

(57) **CLAIM**

The ornamental design for an adjustable-width pallet and product protector, as shown and described.

**DESCRIPTION**

FIG. 1 is a front isometric view of a first embodiment of an adjustable-width pallet and product protector in a first configuration, showing my design;

FIG. 2 is a front view thereof;

FIG. 3 is a rear view thereof;

FIG. 4 is a top view thereof;

FIG. 5 is a bottom view thereof;

FIG. 6 is a right side view thereof;

FIG. 7 is a left side view thereof;

FIG. 8 is a front isometric view of the first embodiment of an adjustable-width pallet and product protector in a second configuration;

FIG. 9 is a front view thereof;

FIG. 10 is a rear view thereof;

FIG. 11 is a top view thereof;

FIG. 12 is a bottom view thereof;

FIG. 13 is a front isometric view of a second embodiment of an adjustable-width pallet and product protector in a first configuration, showing my design;

FIG. 14 is a front view thereof;

FIG. 15 is a rear view thereof;

FIG. 16 is a top view thereof;

FIG. 17 is a bottom view thereof;

FIG. 18 is a right side view thereof;

FIG. 19 is a left side view thereof;

FIG. 20 is a front isometric view of the second embodiment of an adjustable-width pallet and product protector in a second configuration;

FIG. 21 is a front view thereof;

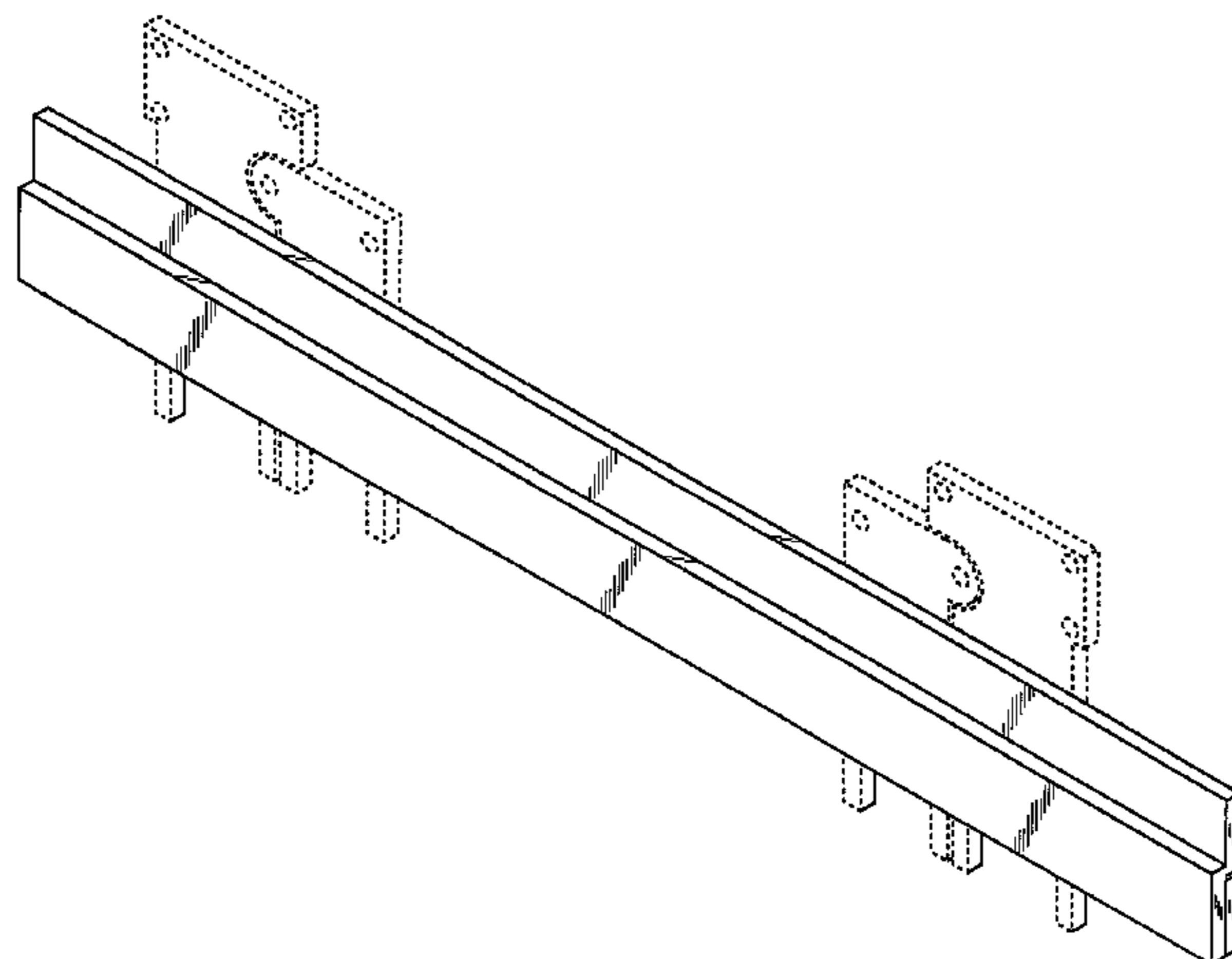
FIG. 22 is a rear view thereof;

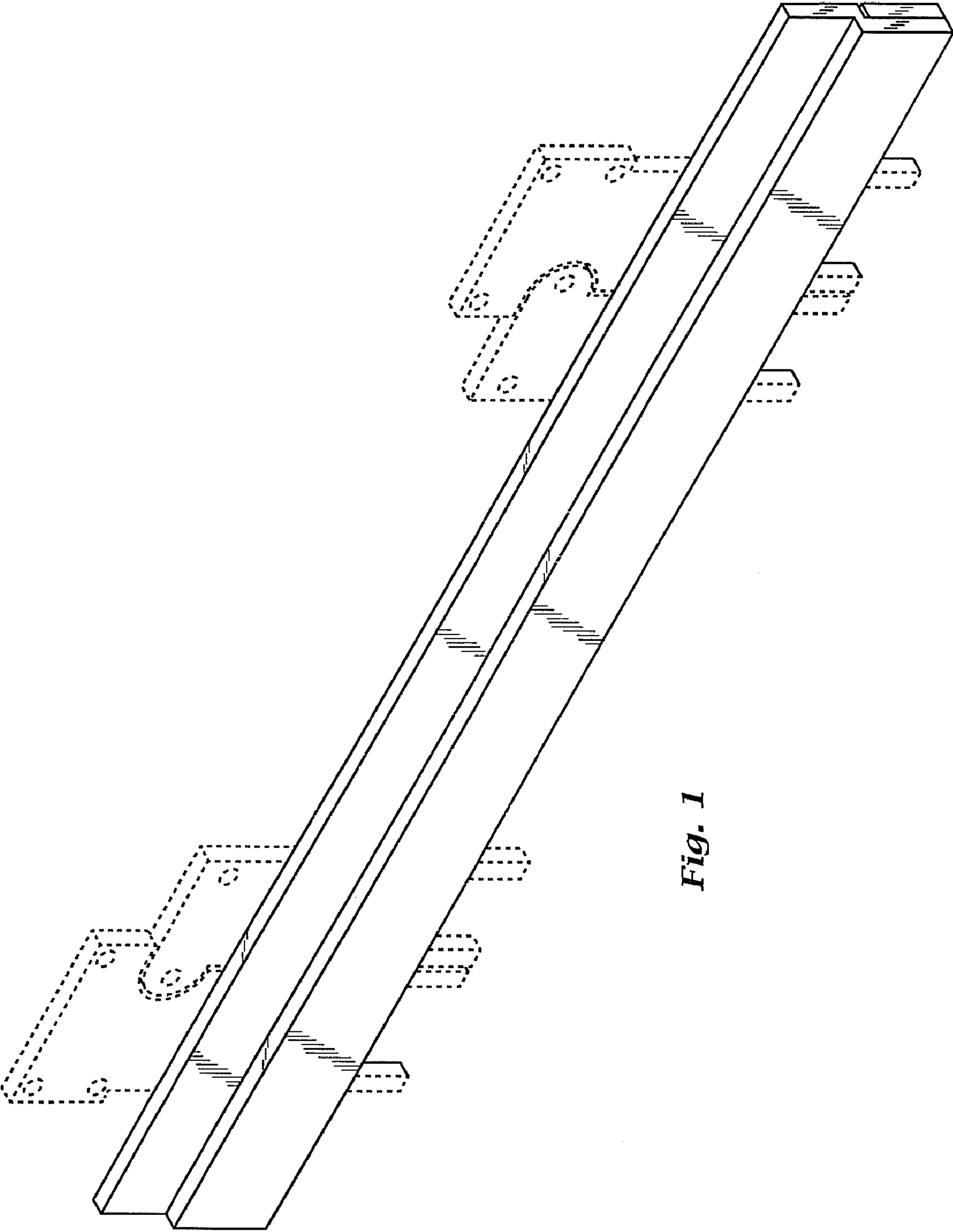
FIG. 23 is a top view thereof; and,

FIG. 24 is a bottom view thereof.

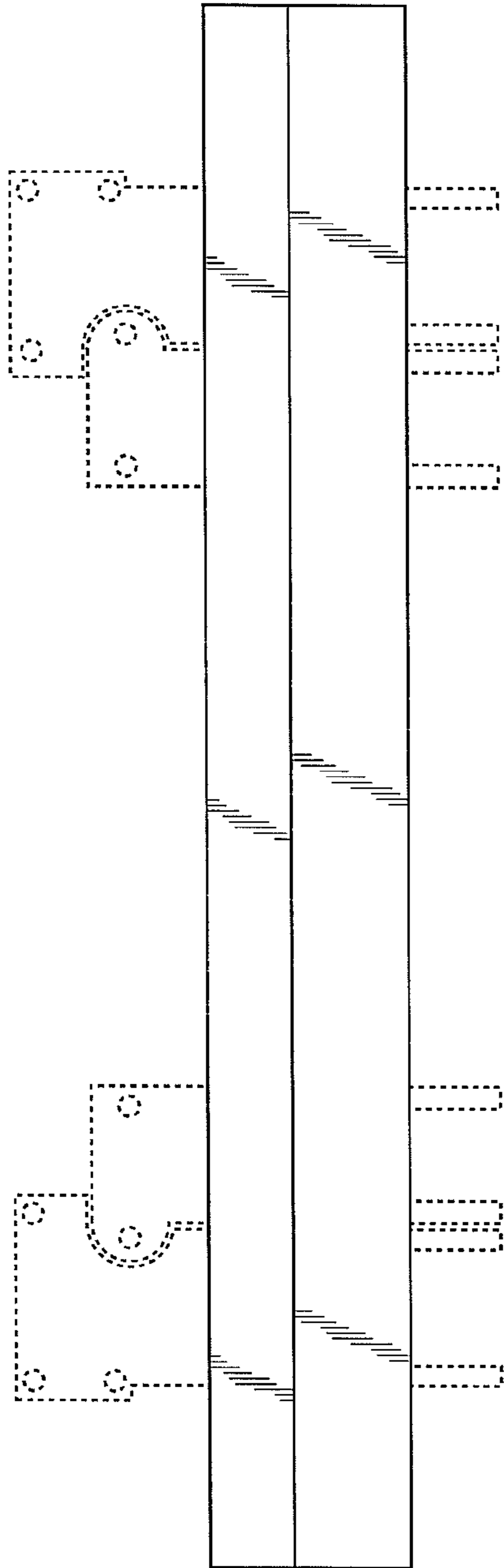
The broken line showing of parts of the drawings is included for the purpose of illustrating portions of the adjustable-width pallet and product protector and forms no part of the claimed design.

**1 Claim, 10 Drawing Sheets**

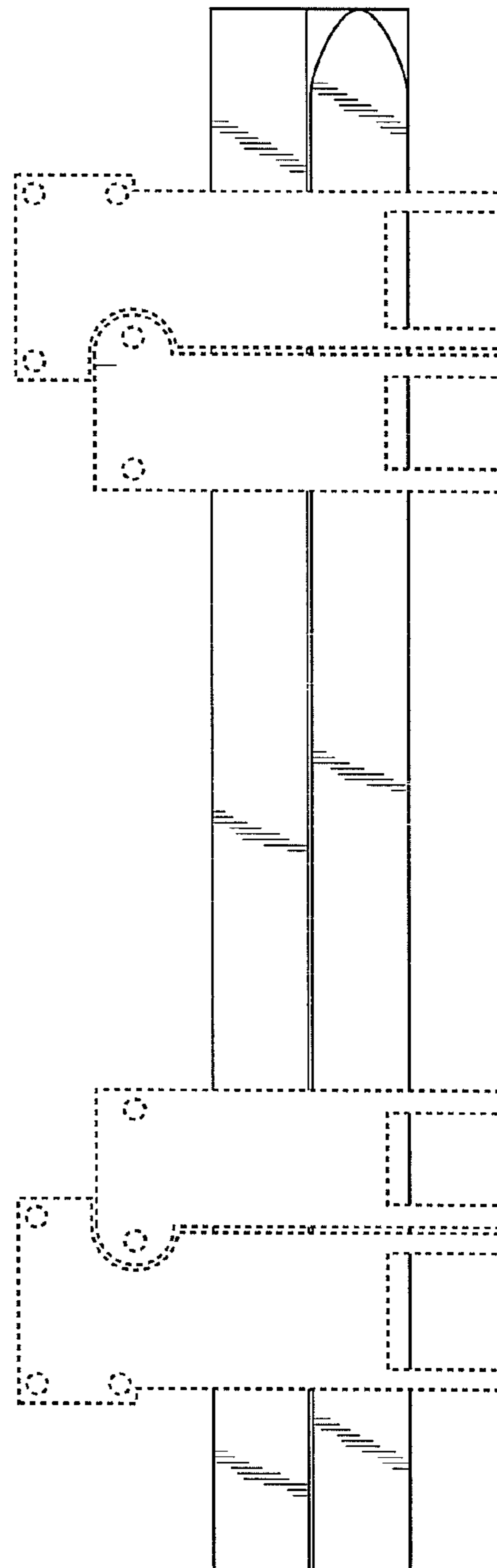




*Fig. 1*



*Fig. 2*



*Fig. 3*



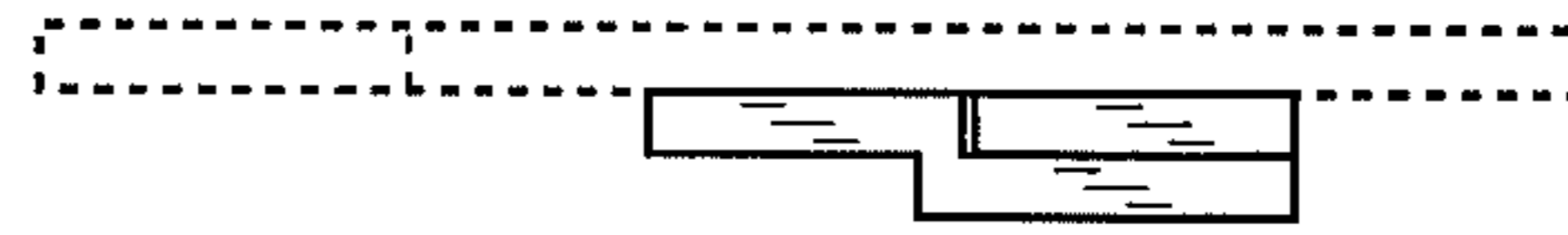
*Fig. 4*



*Fig. 5*



*Fig. 6*



*Fig. 7*

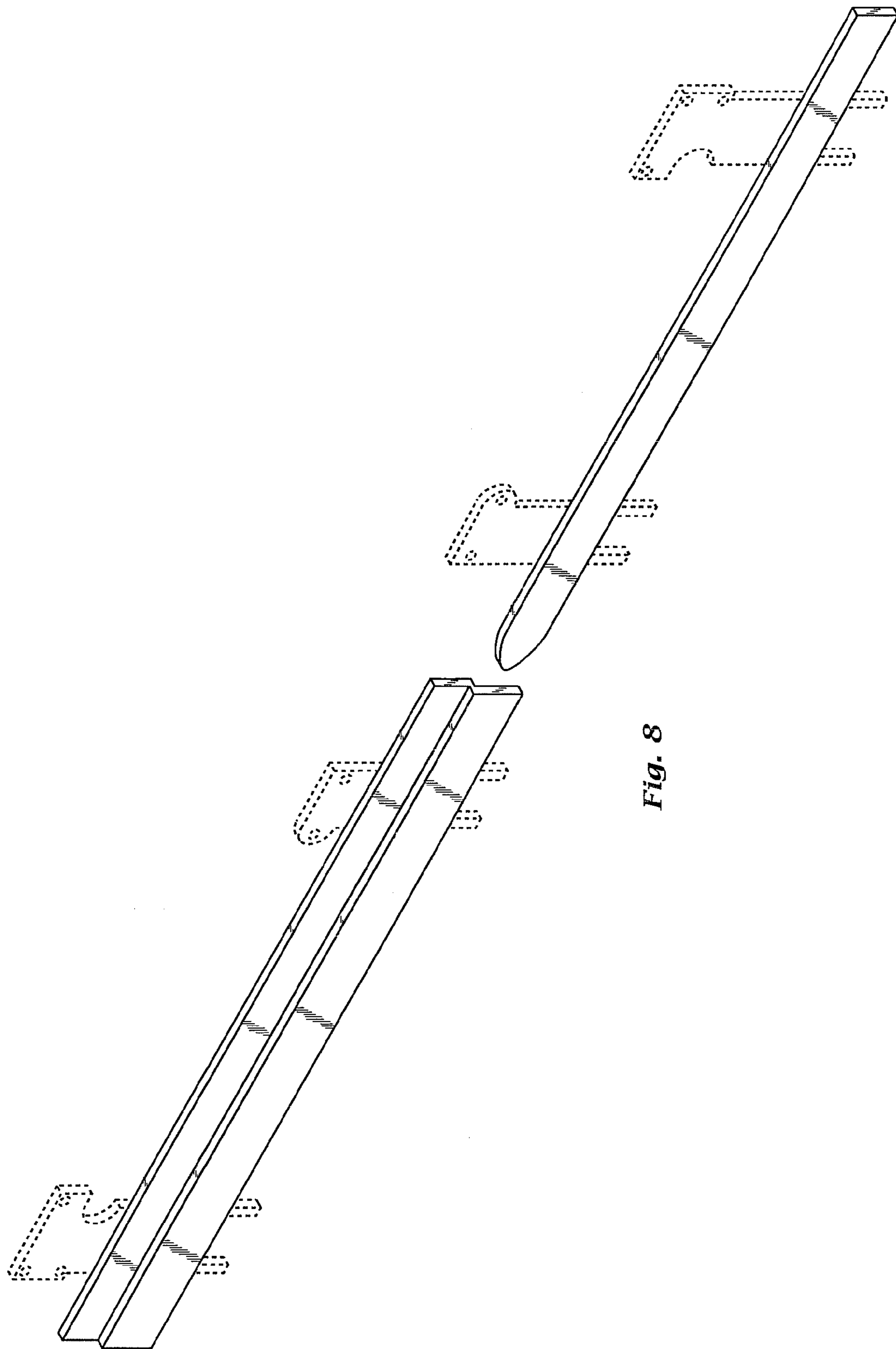


Fig. 8

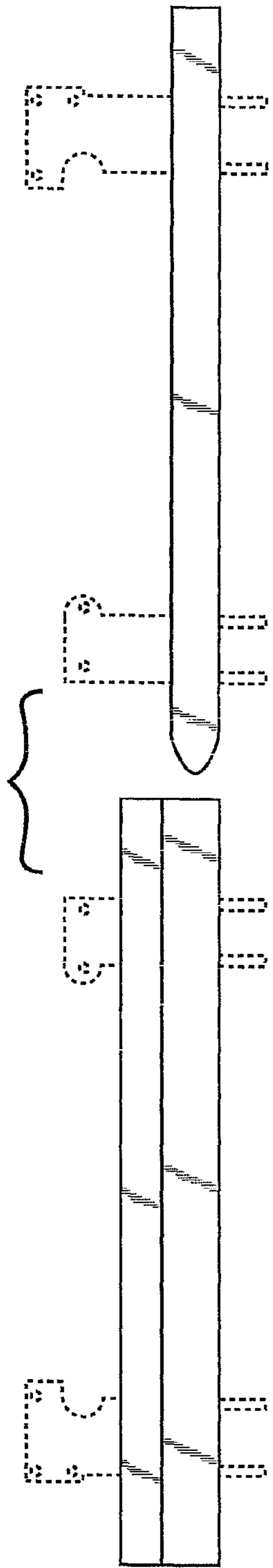


Fig. 9

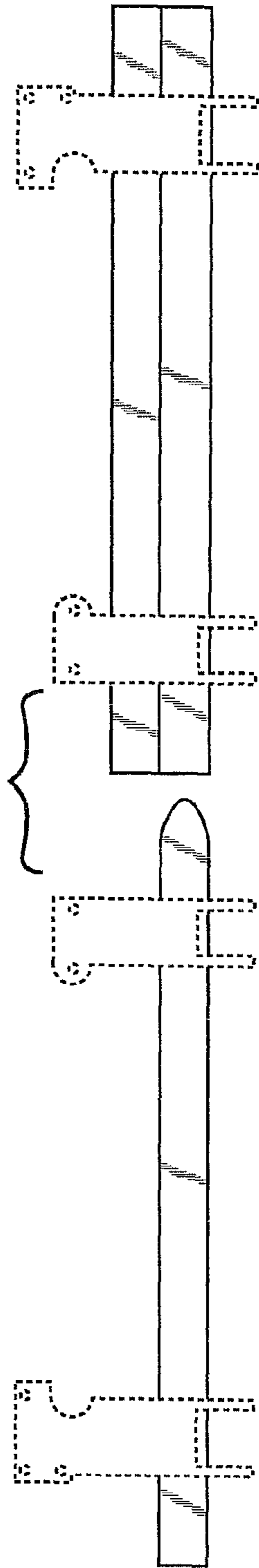


Fig. 10



Fig. 11

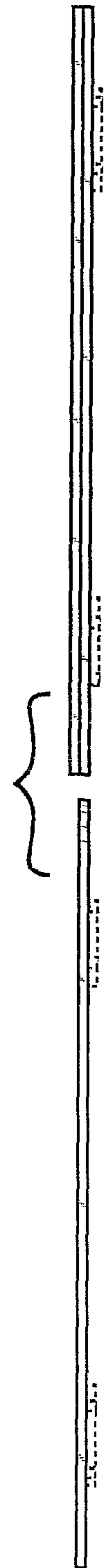


Fig. 12

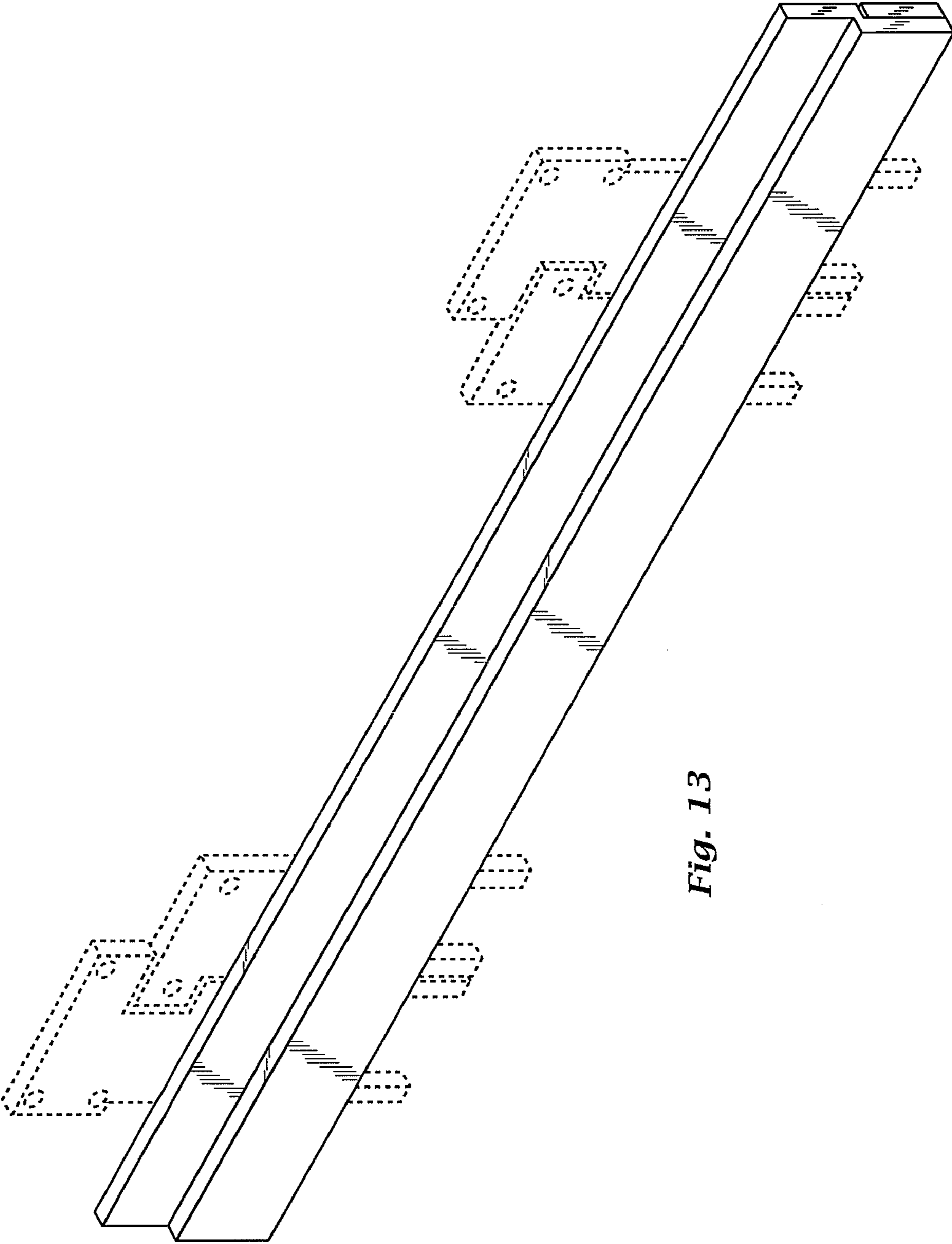
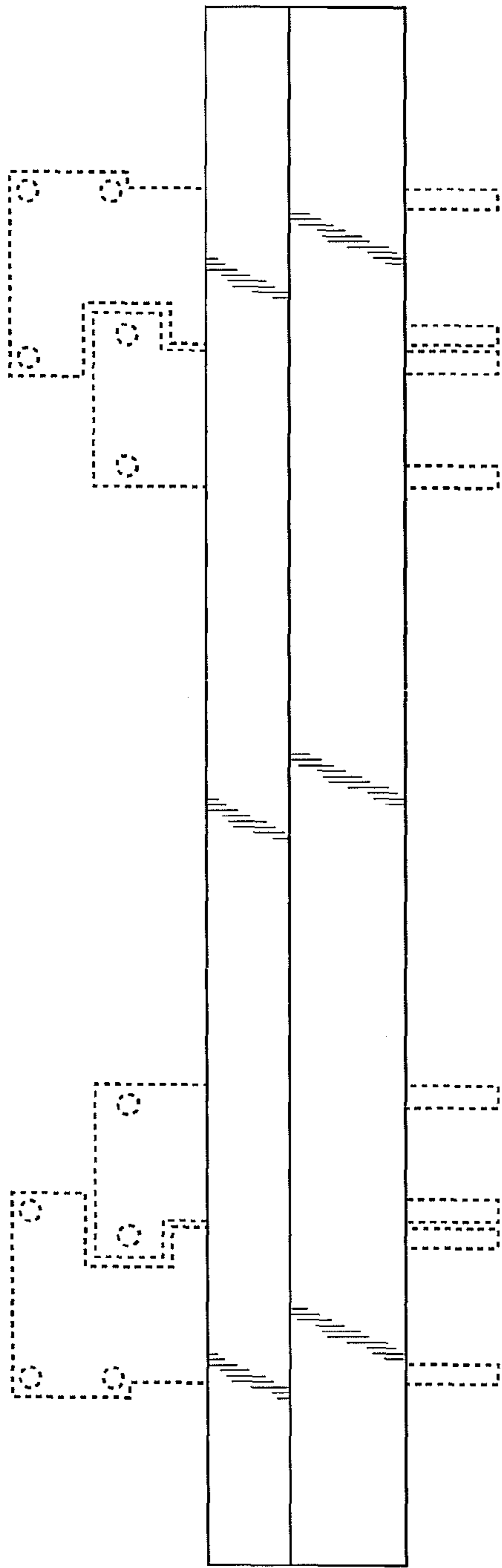
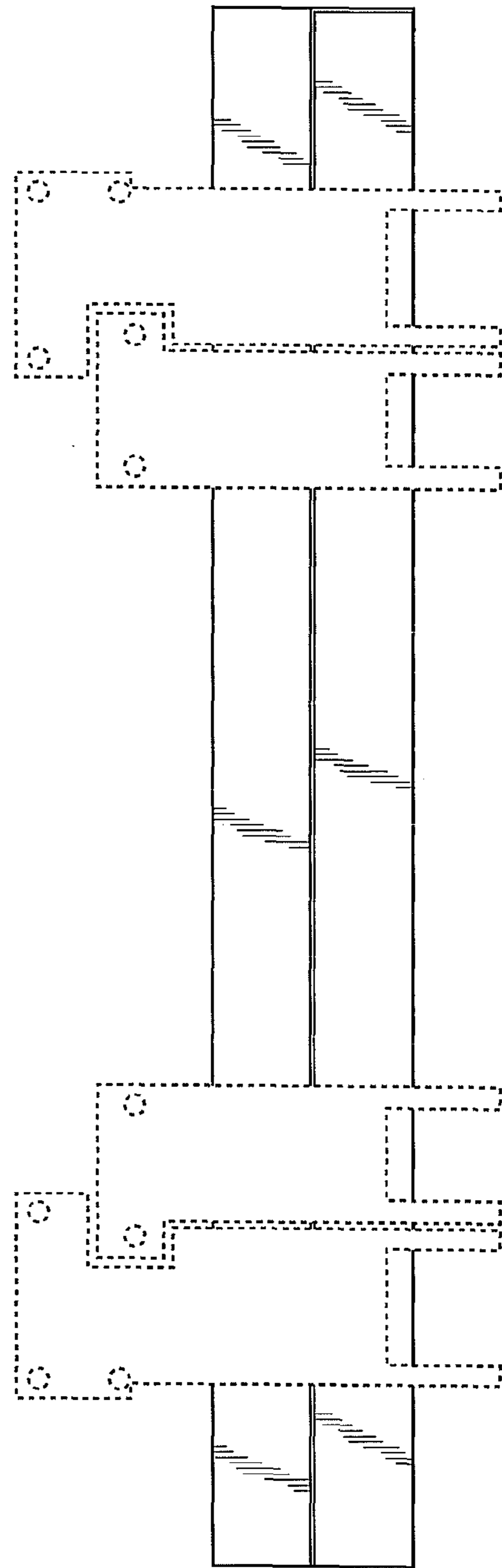


Fig. 13



*Fig. 14*



*Fig. 15*

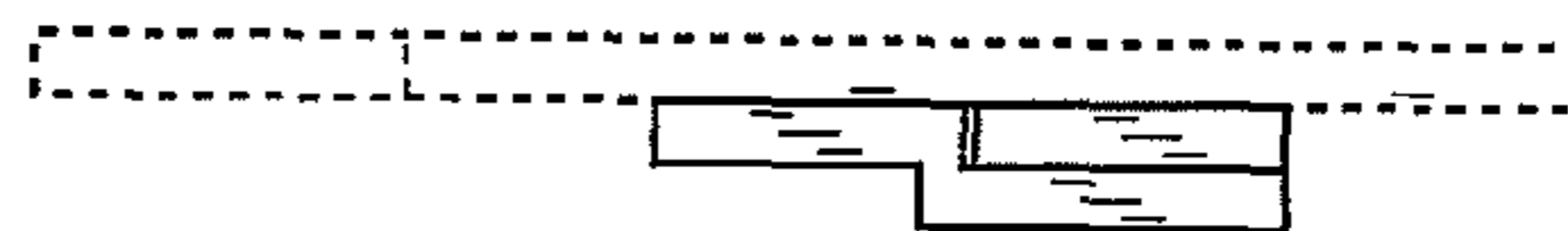




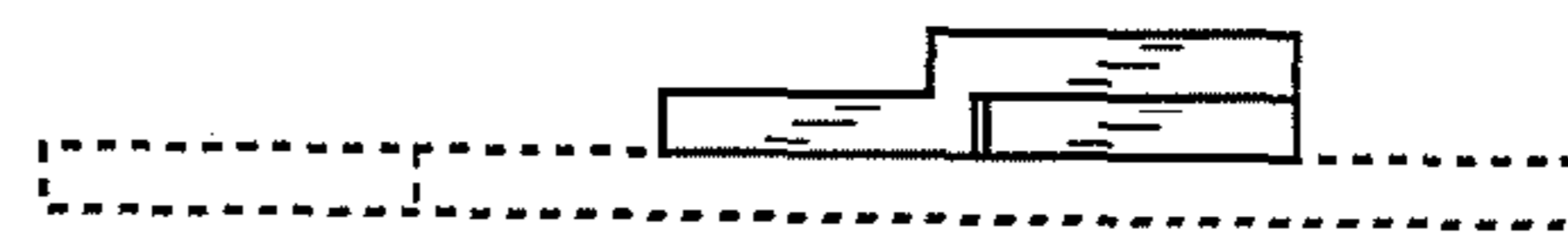
*Fig. 16*



*Fig. 17*



*Fig. 18*



*Fig. 19*

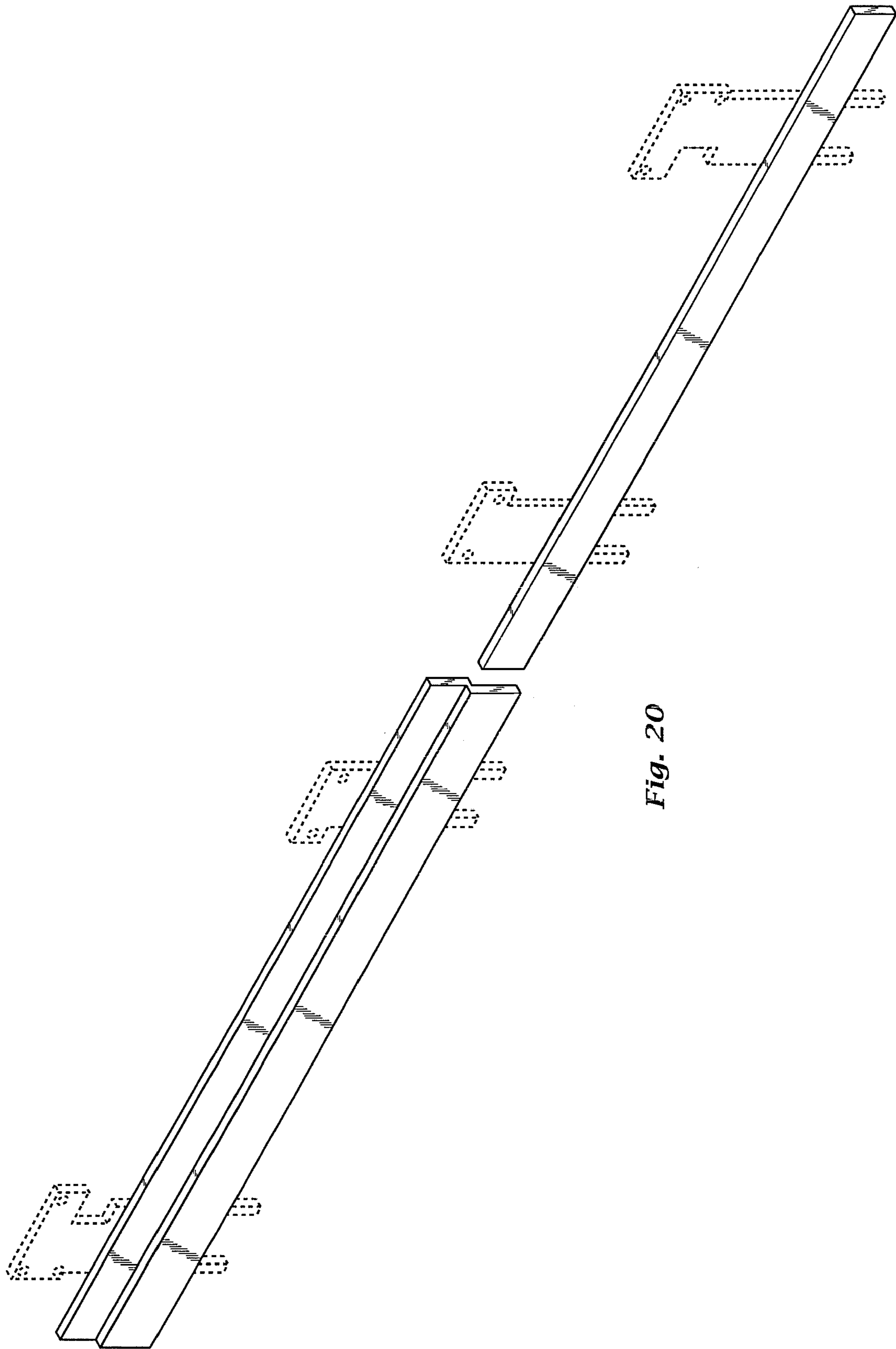


Fig. 20

