



US00D659937S

(12) **United States Design Patent**
Pugh et al.

(10) **Patent No.:** **US D659,937 S**

(45) **Date of Patent:** **** May 15, 2012**

(54) **ROTATING JACK BASE**

(75) Inventors: **Jeffrey S. Pugh**, Puyallup, WA (US);
Patrick F. Simpson, Bloomfield, IN
(US); **Christopher M. Burdyslaw**, Gig
Harbor, WA (US); **E. Austin Harrah**,
Bloomfield, IN (US)

(73) Assignee: **Bloomfield Manufacturing Company,
Inc.**, Bloomfield, IN (US)

(**) Term: **14 Years**

(21) Appl. No.: **29/397,027**

(22) Filed: **Jul. 11, 2011**

(51) **LOC (9) Cl.** **12-05**

(52) **U.S. Cl.** **D34/31**

(58) **Field of Classification Search** D34/28,
D34/31, 35; 254/93 R, 1, 8 R, 2 R, 11, 12,
254/13, DIG. 8, 133 R, 93 H, 84

See application file for complete search history.

(56) **References Cited**

U.S. PATENT DOCUMENTS

D425,281 S * 5/2000 Ridge D34/31
D443,747 S * 6/2001 Ridge D34/31

6,302,381 B1 * 10/2001 Roll 254/425
6,581,913 B1 * 6/2003 Conomos et al. 254/133 R
D509,039 S * 8/2005 Peschmann et al. D34/31
D561,424 S * 2/2008 Drake D34/35
D639,012 S * 5/2011 Ahrenholtz D34/31

* cited by examiner

Primary Examiner — Cynthia Ramirez

(57) **CLAIM**

The ornamental design for a rotating jack base, as shown and described.

DESCRIPTION

FIG. 1 is a perspective view of a rotating jack base, showing our new design;

FIG. 2 is a side elevational view thereof, and the opposite side elevational view is a mirror image of the side elevational view thereof;

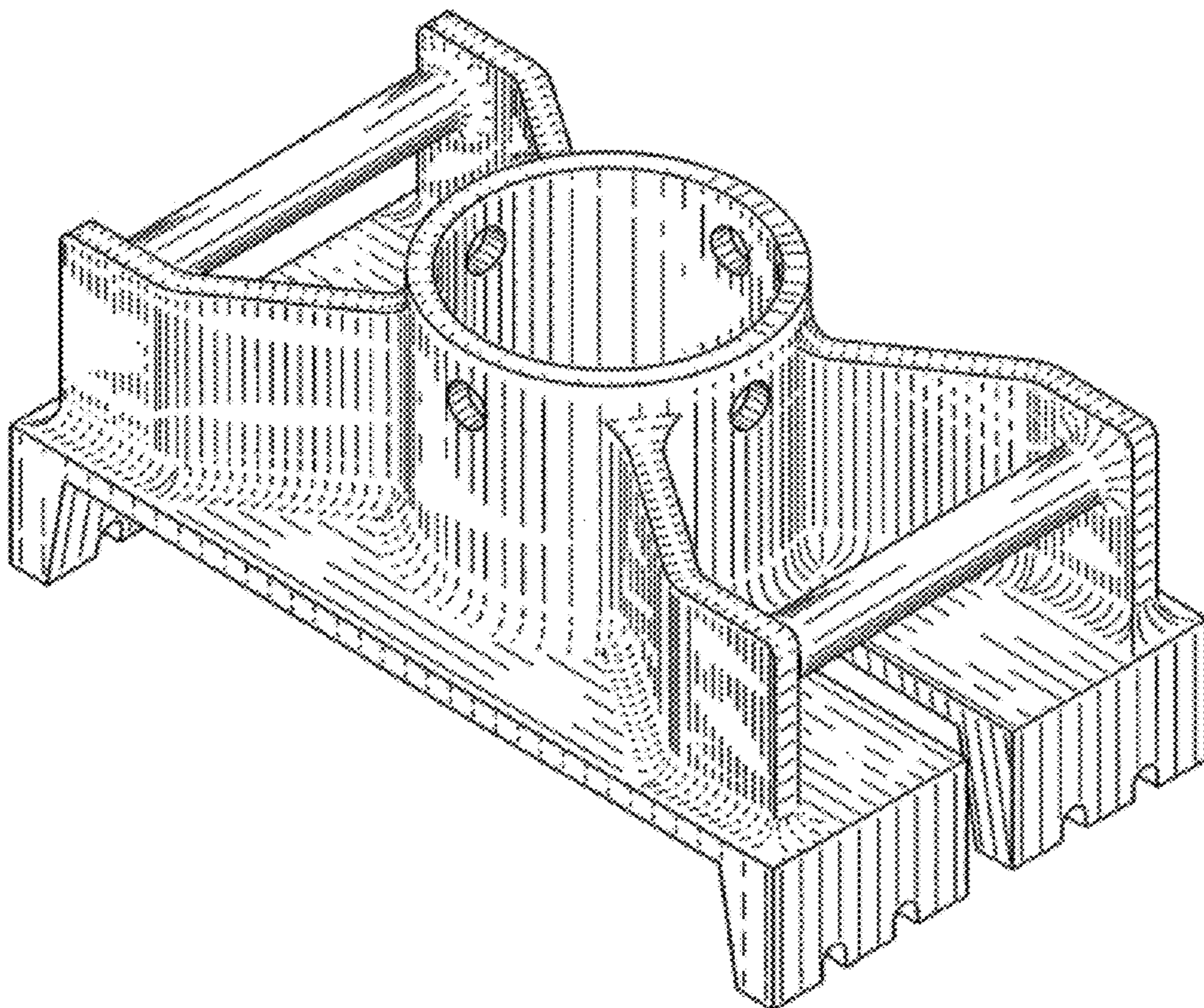
FIG. 3 is a front elevational view thereof, and the rear elevational view is a mirror image of the front elevational view thereof;

FIG. 4 is a top plan view thereof;

FIG. 5 is a bottom plan view thereof; and,

FIG. 6 is a perspective view thereof.

1 Claim, 6 Drawing Sheets



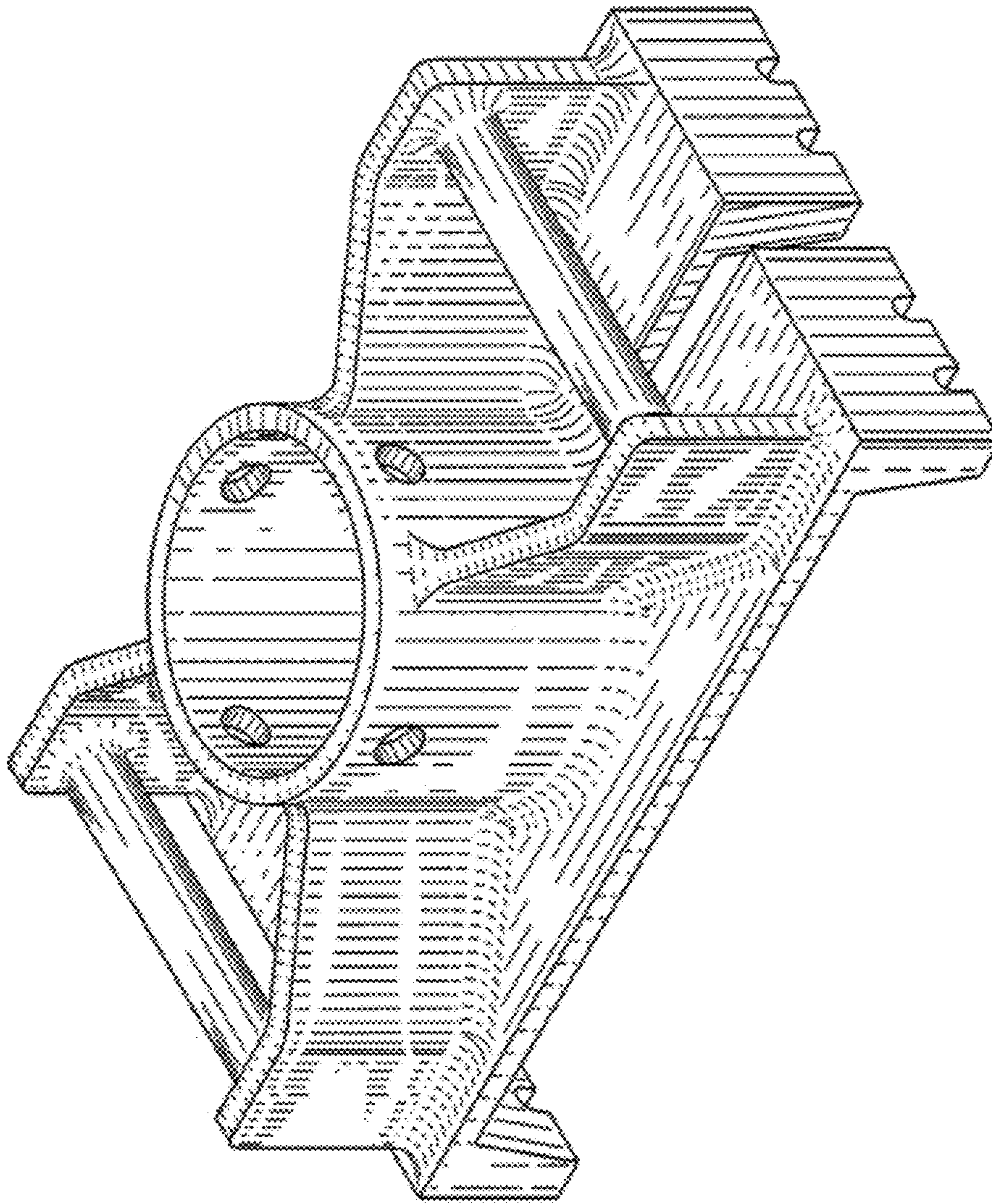


Fig. 1

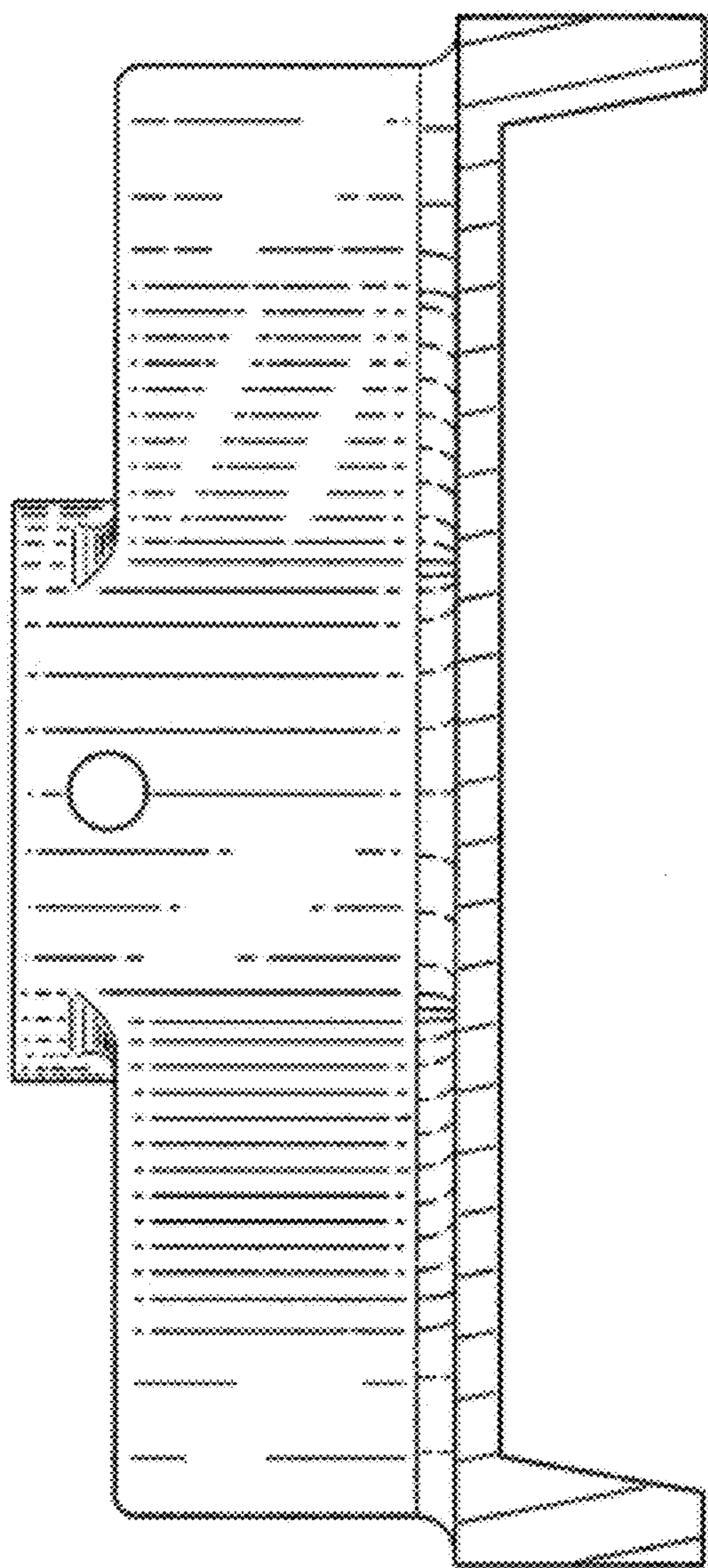


Fig. 2

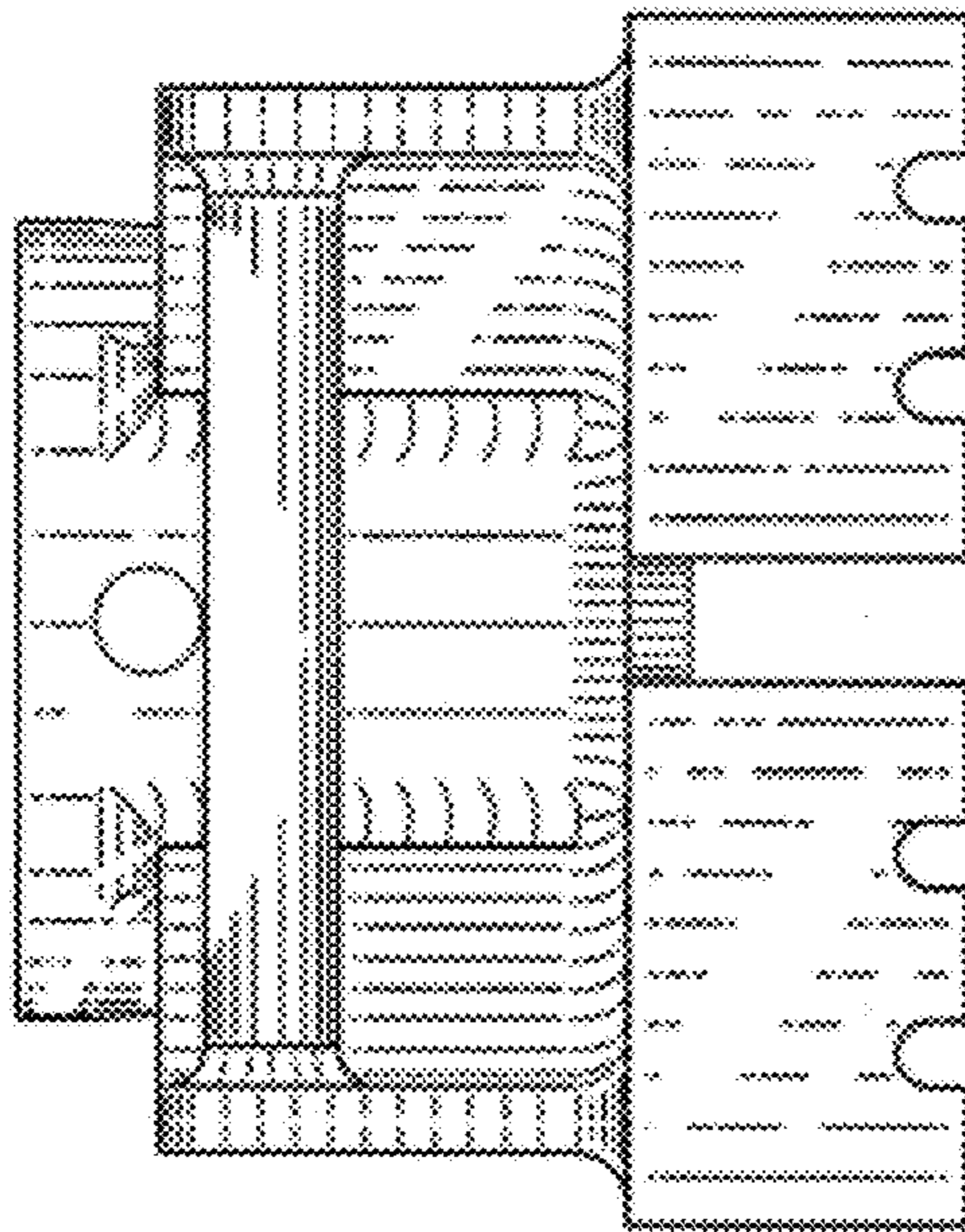


Fig. 3

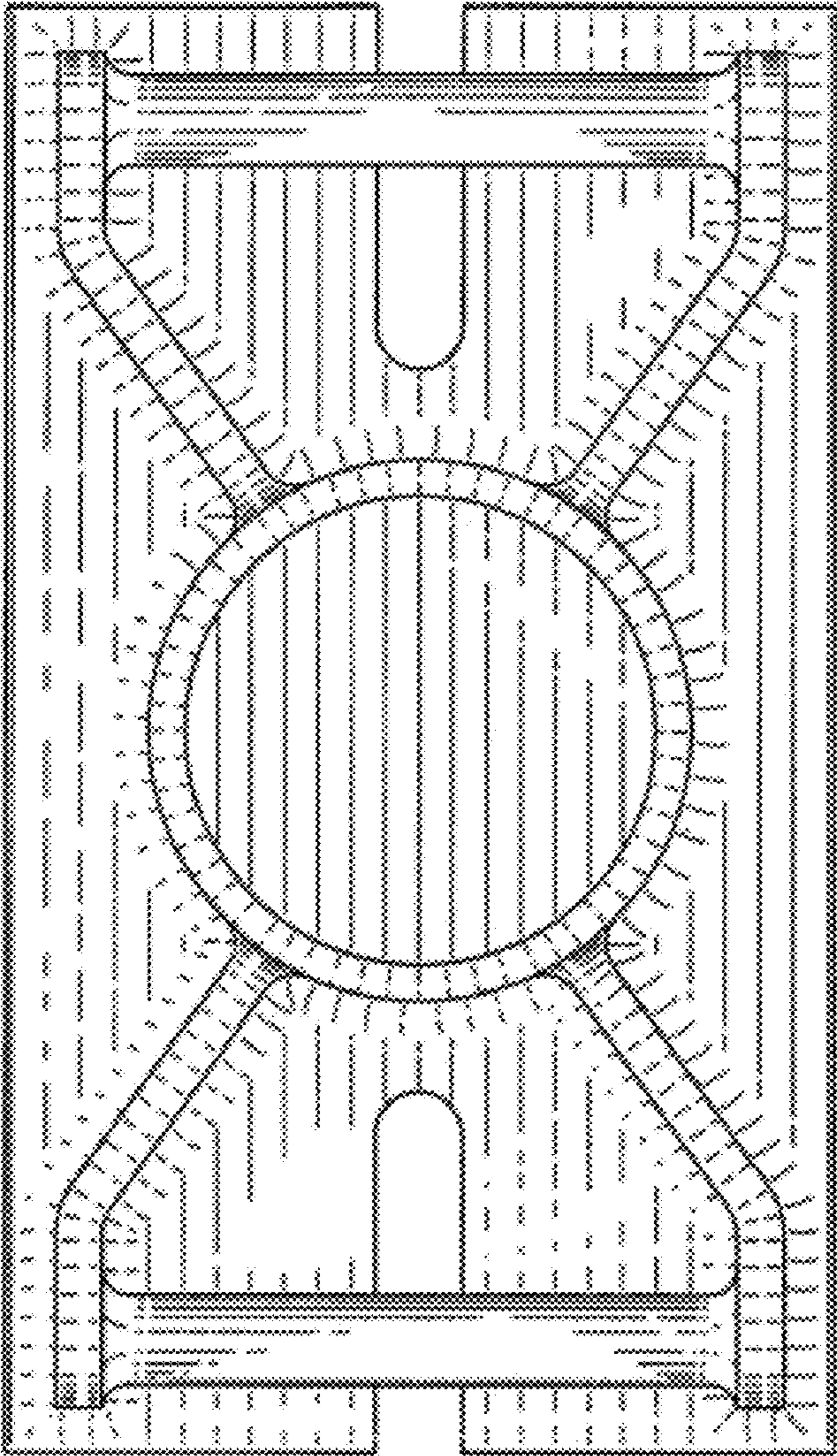


Fig. 4

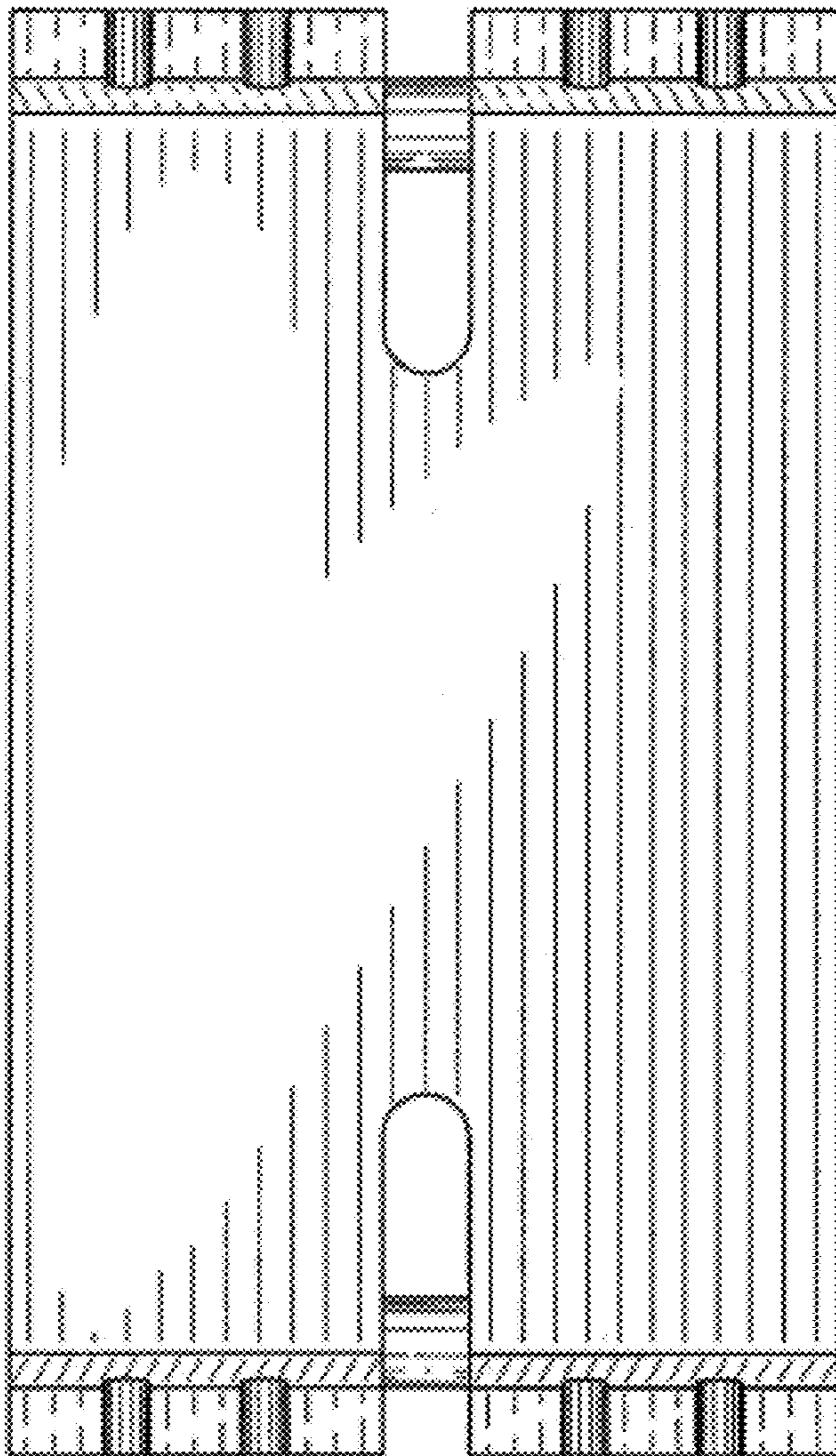


Fig. 5

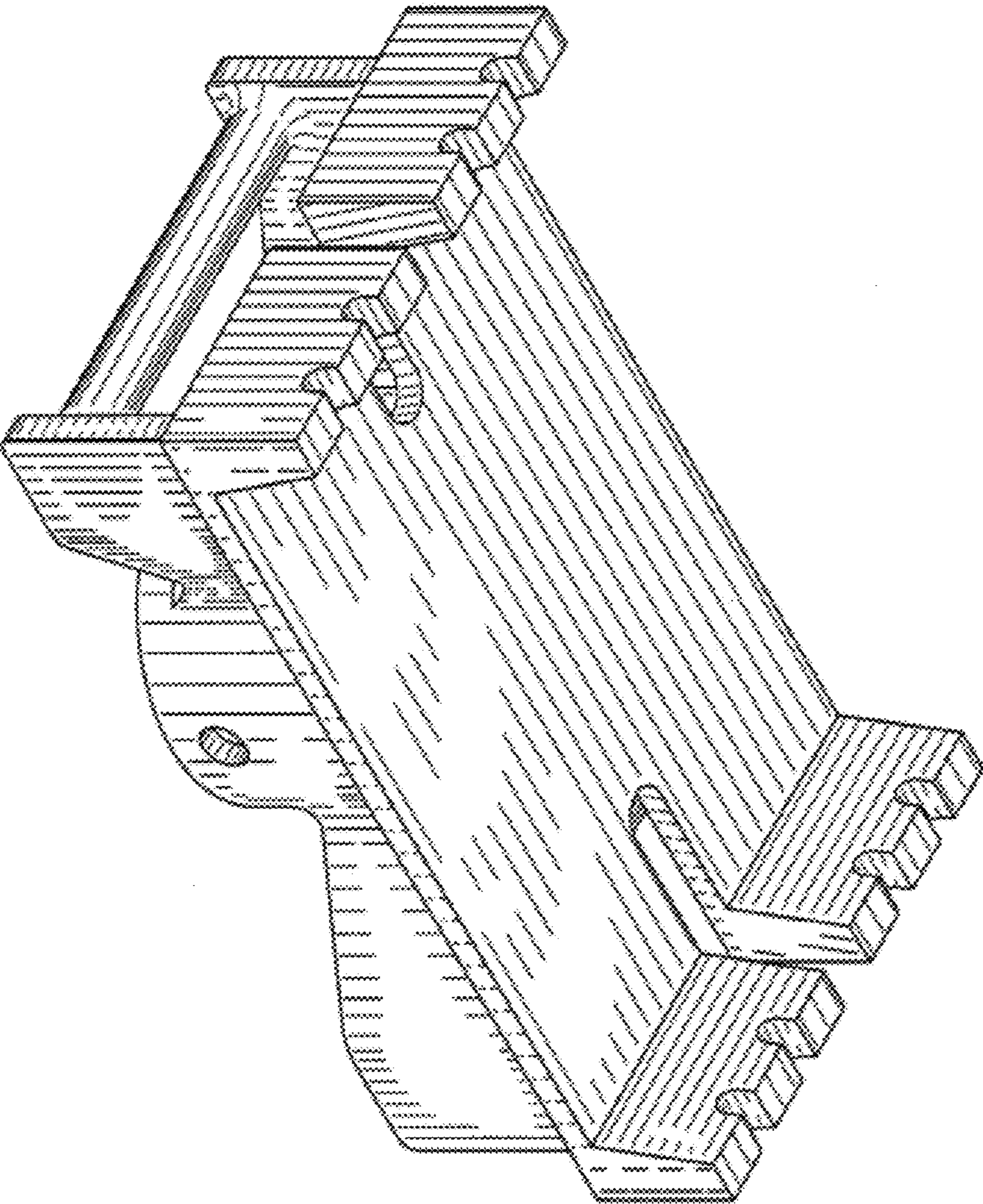


Fig. 6