



US00D659936S

(12) **United States Design Patent**
Berthiaume et al.

(10) **Patent No.:** **US D659,936 S**

(45) **Date of Patent:** **** May 15, 2012**

(54) **SET OF HANDLES FOR A SHOPPING CART**

2010/0314848 A1* 12/2010 Honiball 280/33.992

* cited by examiner

(75) Inventors: **Eric Berthiaume**, St-Eustache (CA);
Daniel Larocque, L'Epiphanie (CA);
Rene Hebert, Montreal (CA)

Primary Examiner — Cynthia Ramirez

(74) *Attorney, Agent, or Firm* — Baker & Hostetler LLP

(73) Assignee: **Produits Cari-All Inc.**,
Pointe-aux-Trembles (CA)

(57) **CLAIM**

We claim the ornamental design for a set of handles for a shopping cart, as shown and described.

(**) Term: **14 Years**

(21) Appl. No.: **29/410,096**

DESCRIPTION

(22) Filed: **Jan. 4, 2012**

Related U.S. Application Data

(62) Division of application No. 29/360,356, filed on Apr. 23, 2010, now Pat. No. Des. 654,242.

(51) **LOC (9) Cl.** **12-02**

(52) **U.S. Cl.** **D34/27**

(58) **Field of Classification Search** D34/12-27;
280/47.35, 33.991, 33.992, 33.993, 33.996,
280/79.2, 79.3, 35, 47.25, 47.34, 33.997
See application file for complete search history.

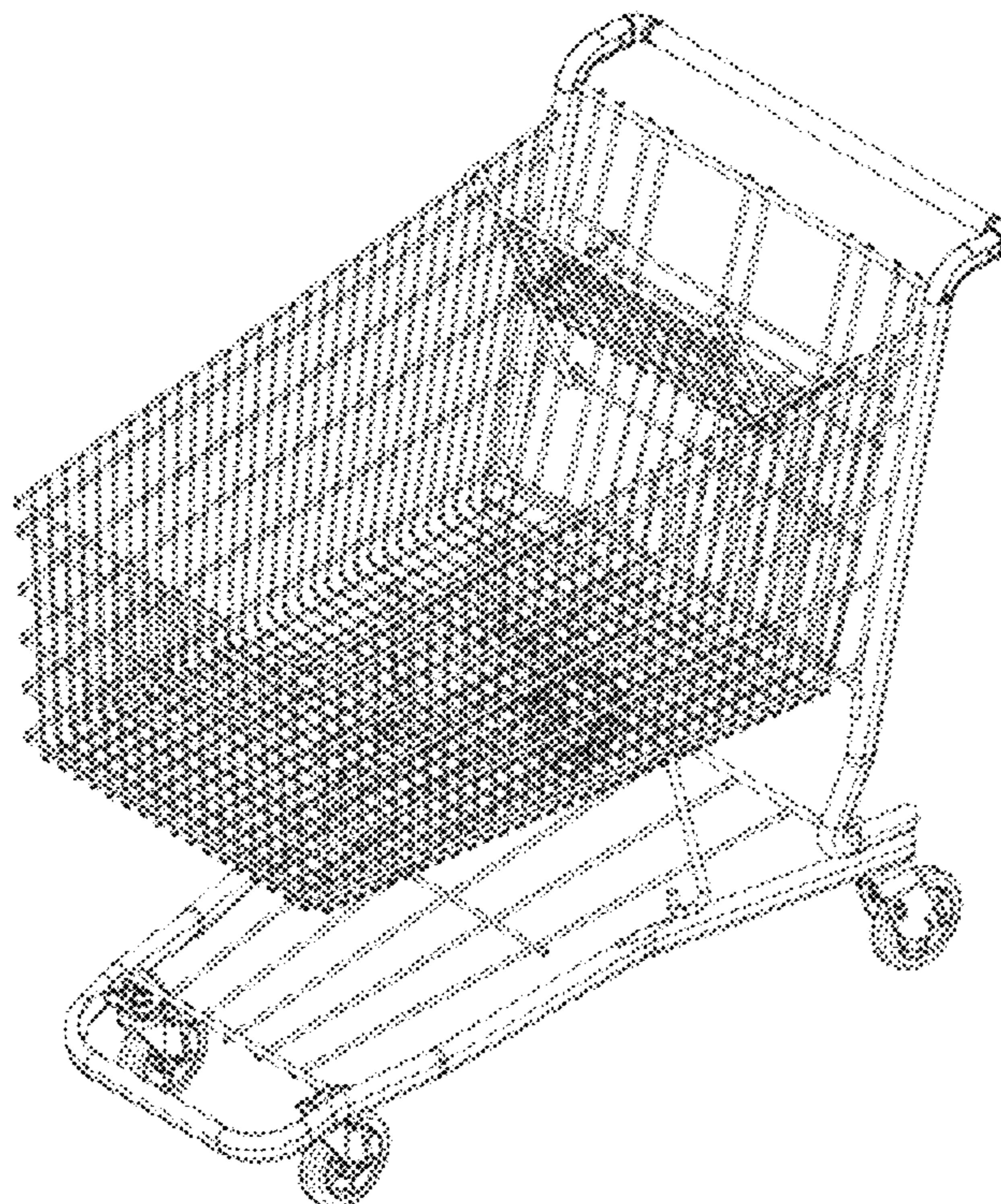
FIG. 1 is a rear perspective view of a set of handles for a shopping cart showing our new design;
FIG. 2 is a front perspective view thereof;
FIG. 3 is a front elevation view thereof;
FIG. 4 is a rear elevation view thereof;
FIG. 5 is a ride side view thereof;
FIG. 6 is a left side view thereof;
FIG. 7 is a top view thereof;
FIG. 8 is a bottom view thereof;
FIG. 9 is a close-up view of the encircled region of FIG. 1; and,
FIG. 10 is a close-up view of the encircled region of FIG. 2. The left and right handles are being shown alone in FIGS. 9 and 10 for convenience of illustration. The broken lines shown in the figures are included for the purpose of illustrating environment and form no part of the claimed design.

(56) **References Cited**

U.S. PATENT DOCUMENTS

6,644,674 B2 * 11/2003 Simard 280/33.991
7,448,476 B2 * 11/2008 Otterson 188/19
D654,242 S * 2/2012 Berthiaume et al. D34/27

1 Claim, 10 Drawing Sheets



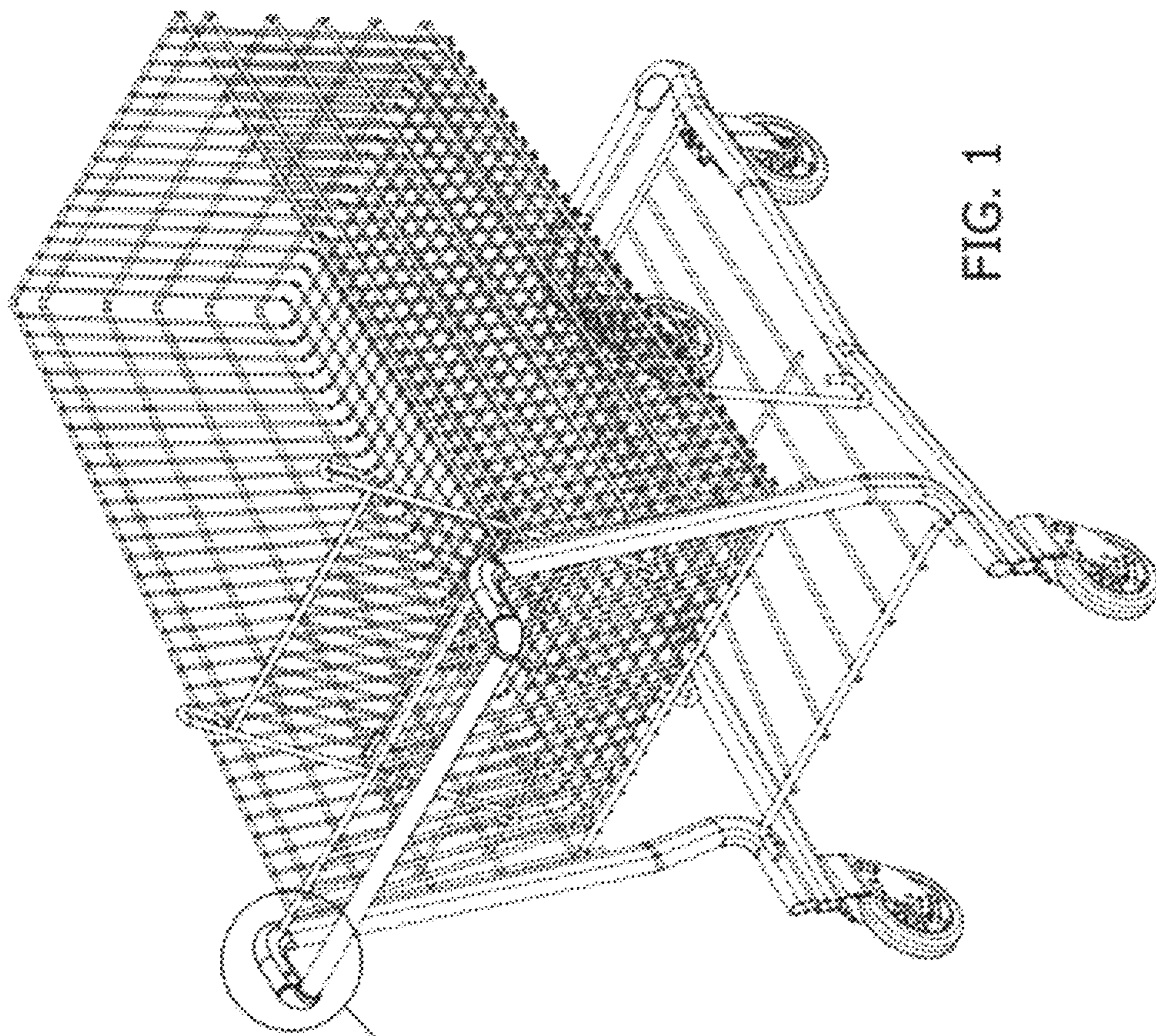
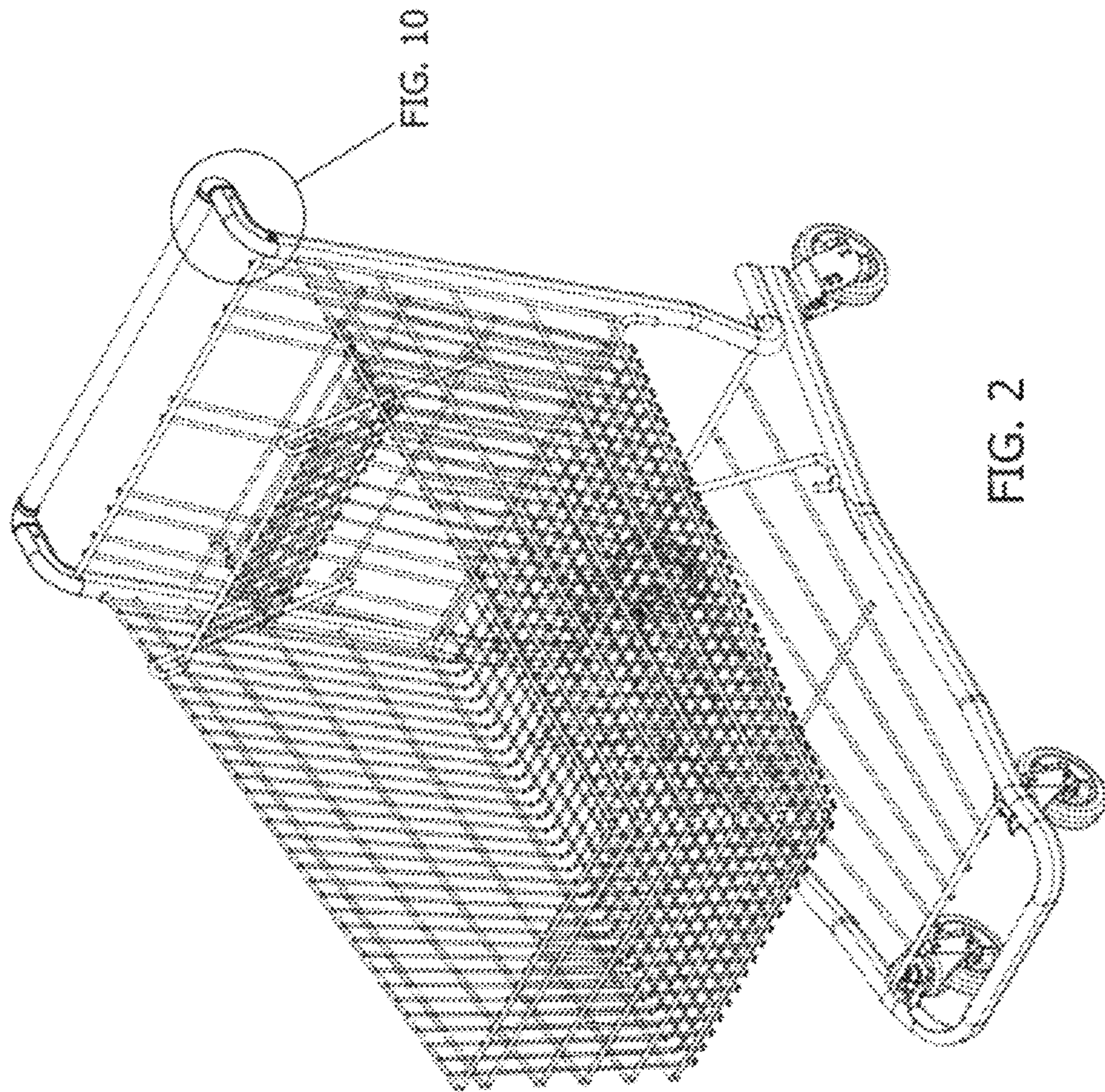


FIG. 9

FIG. 1



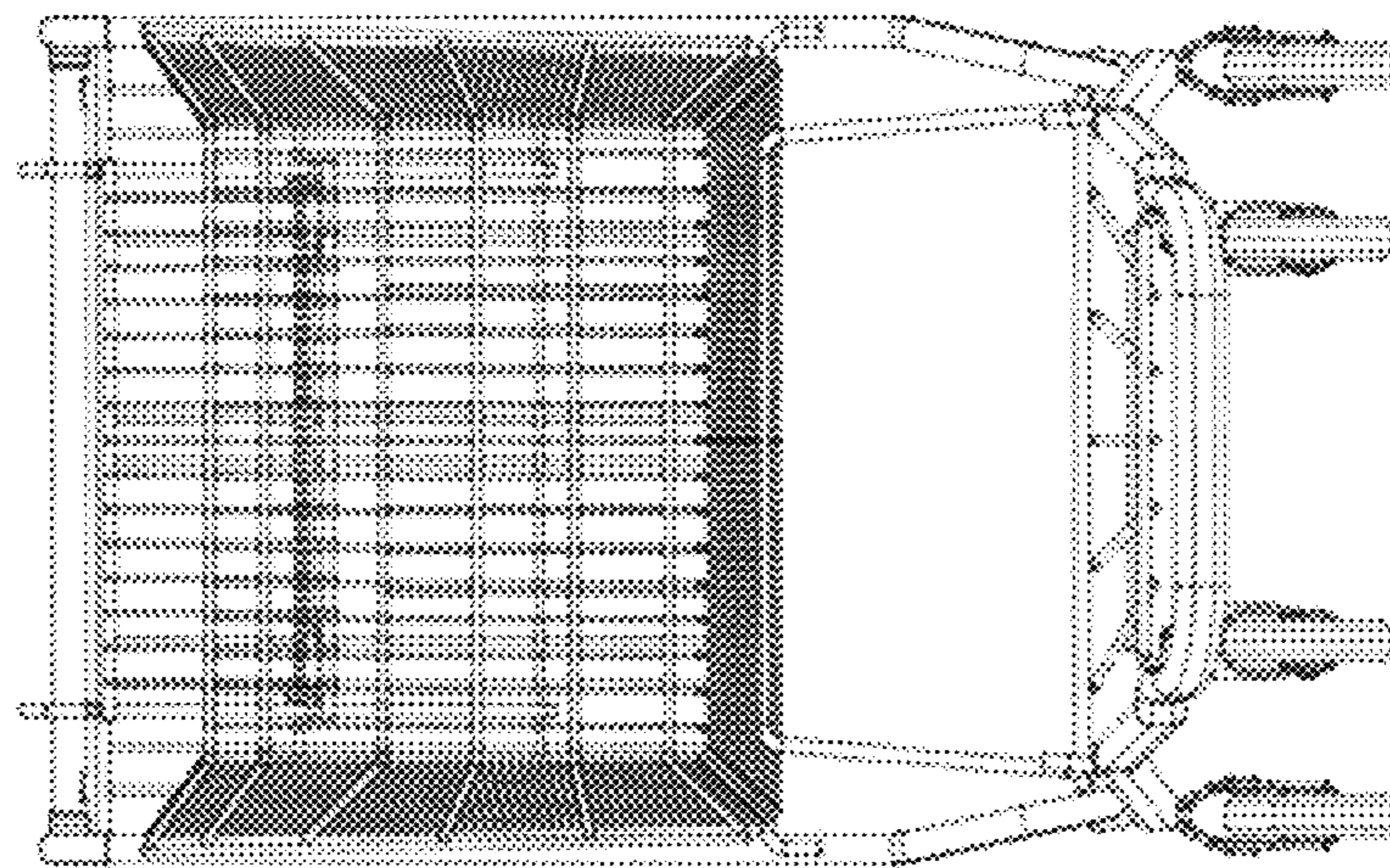


FIG. 3

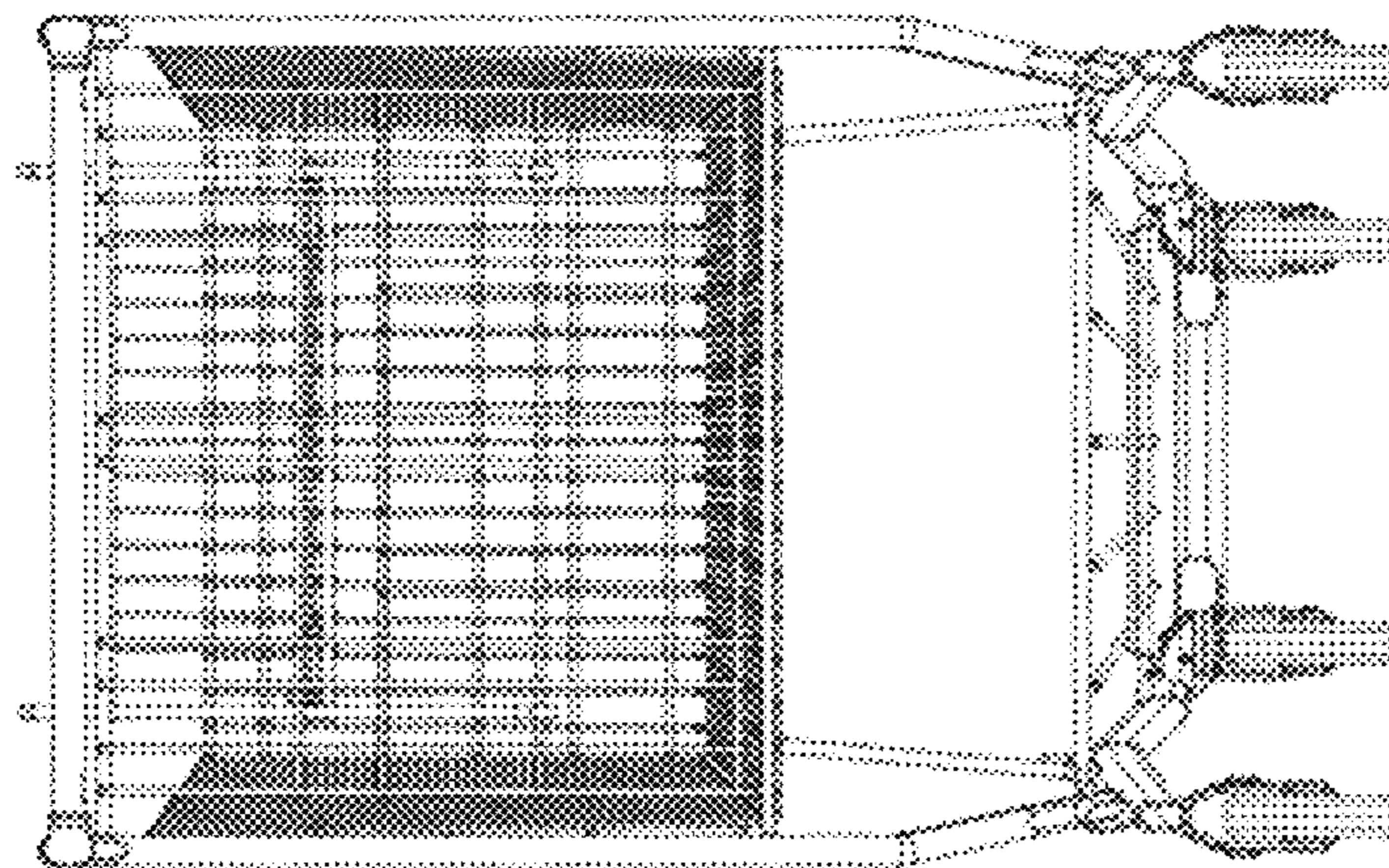


FIG. 4

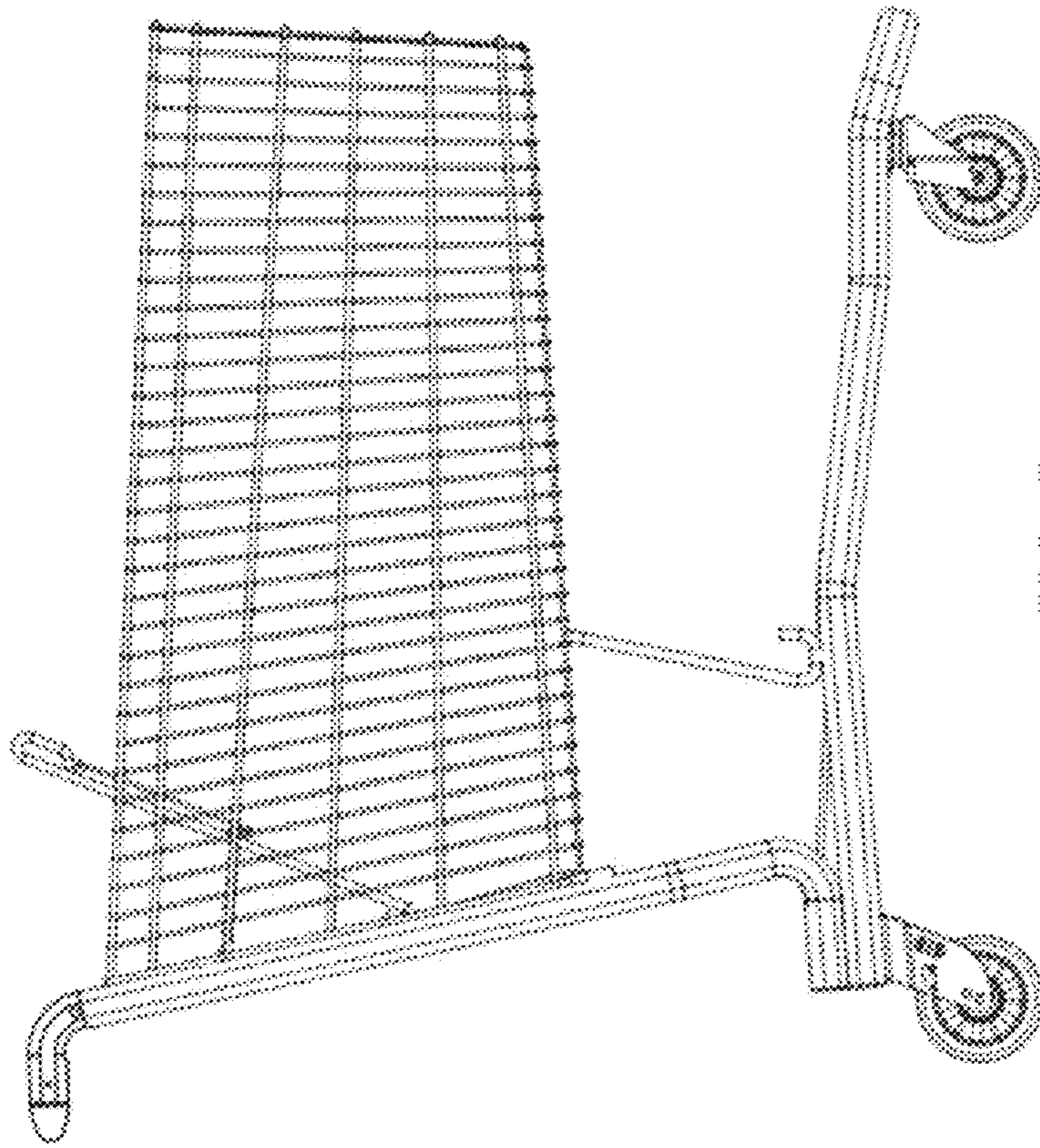


FIG. 5

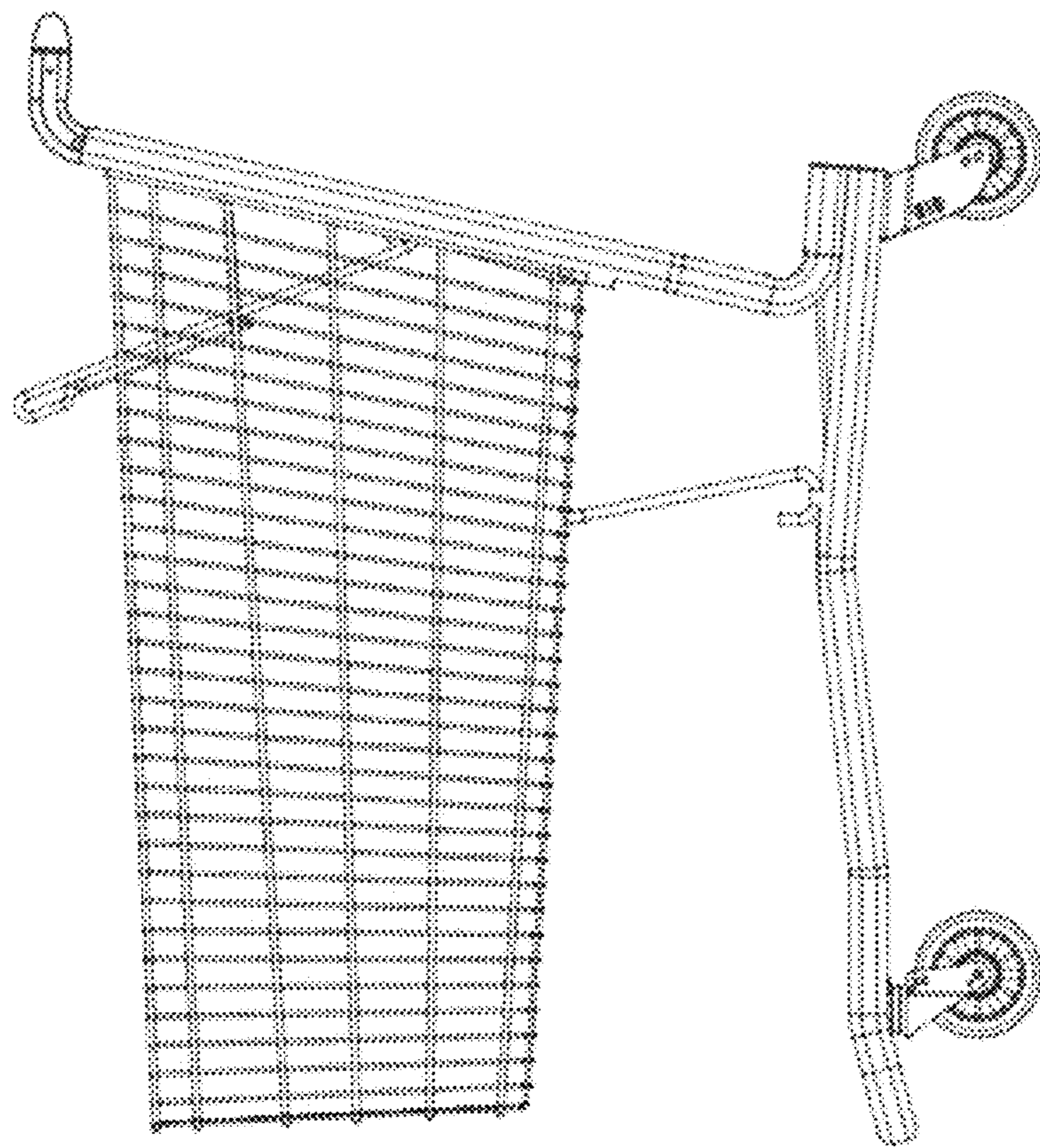


FIG. 6

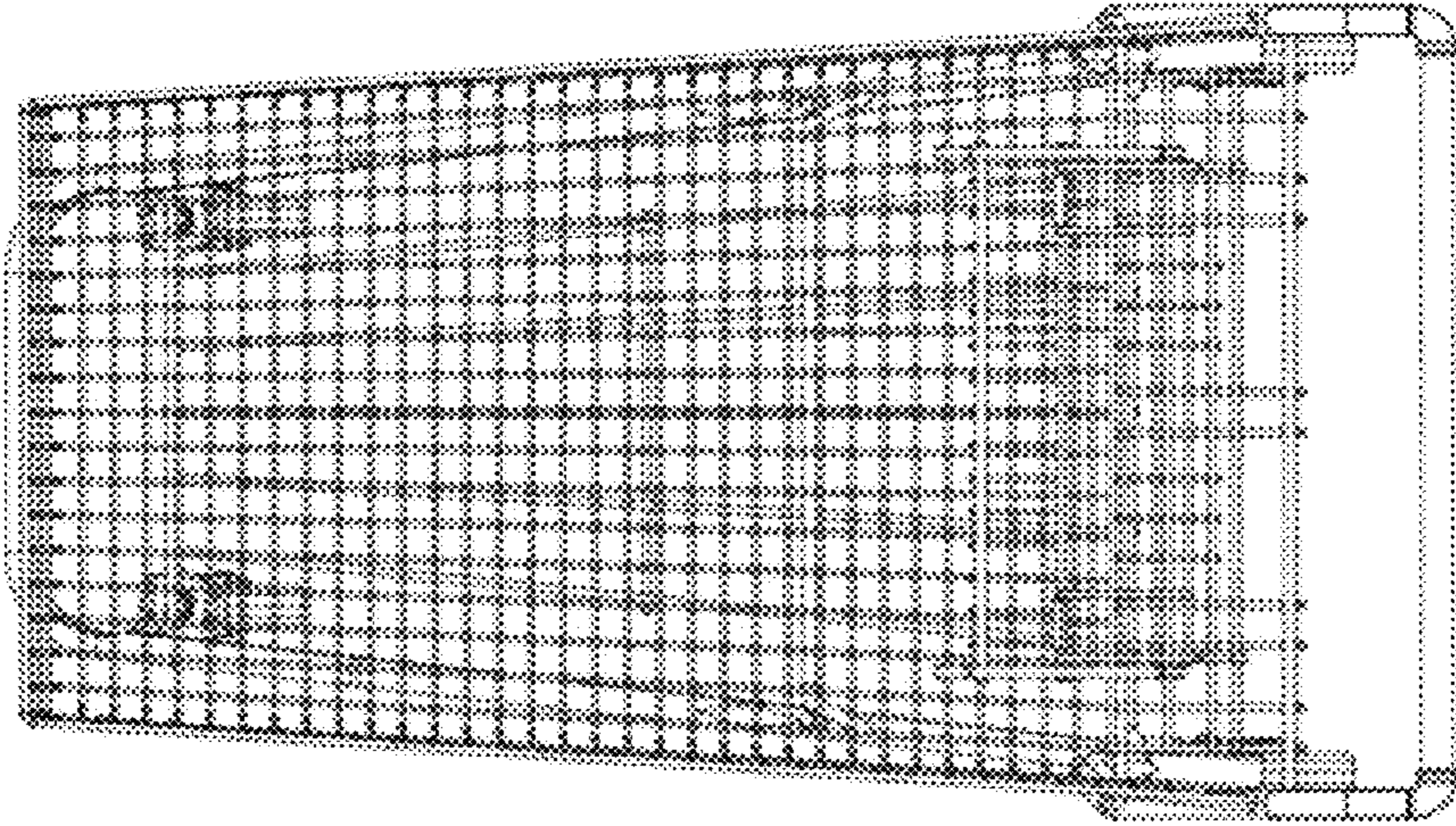


FIG. 7

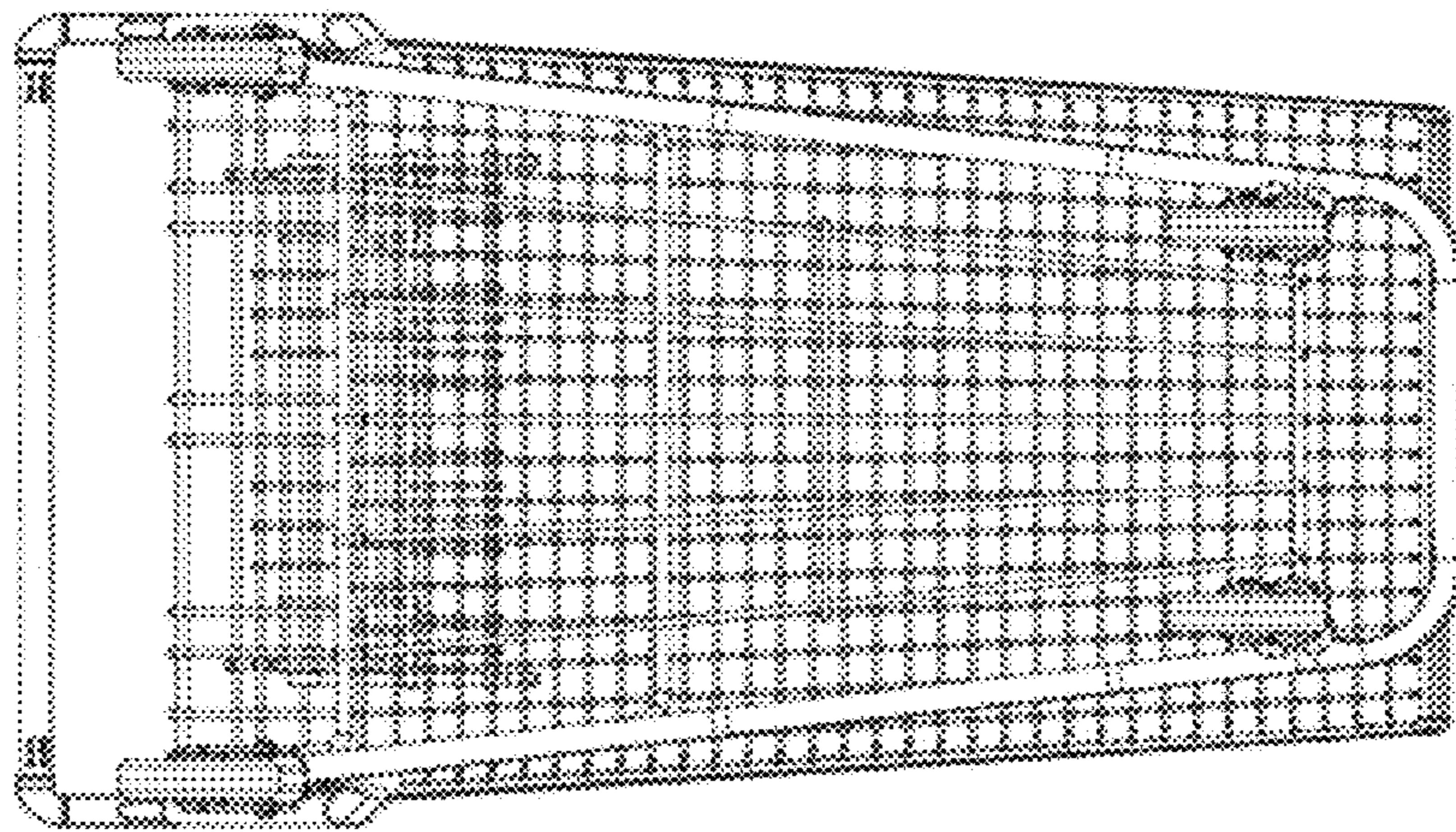


FIG. 8

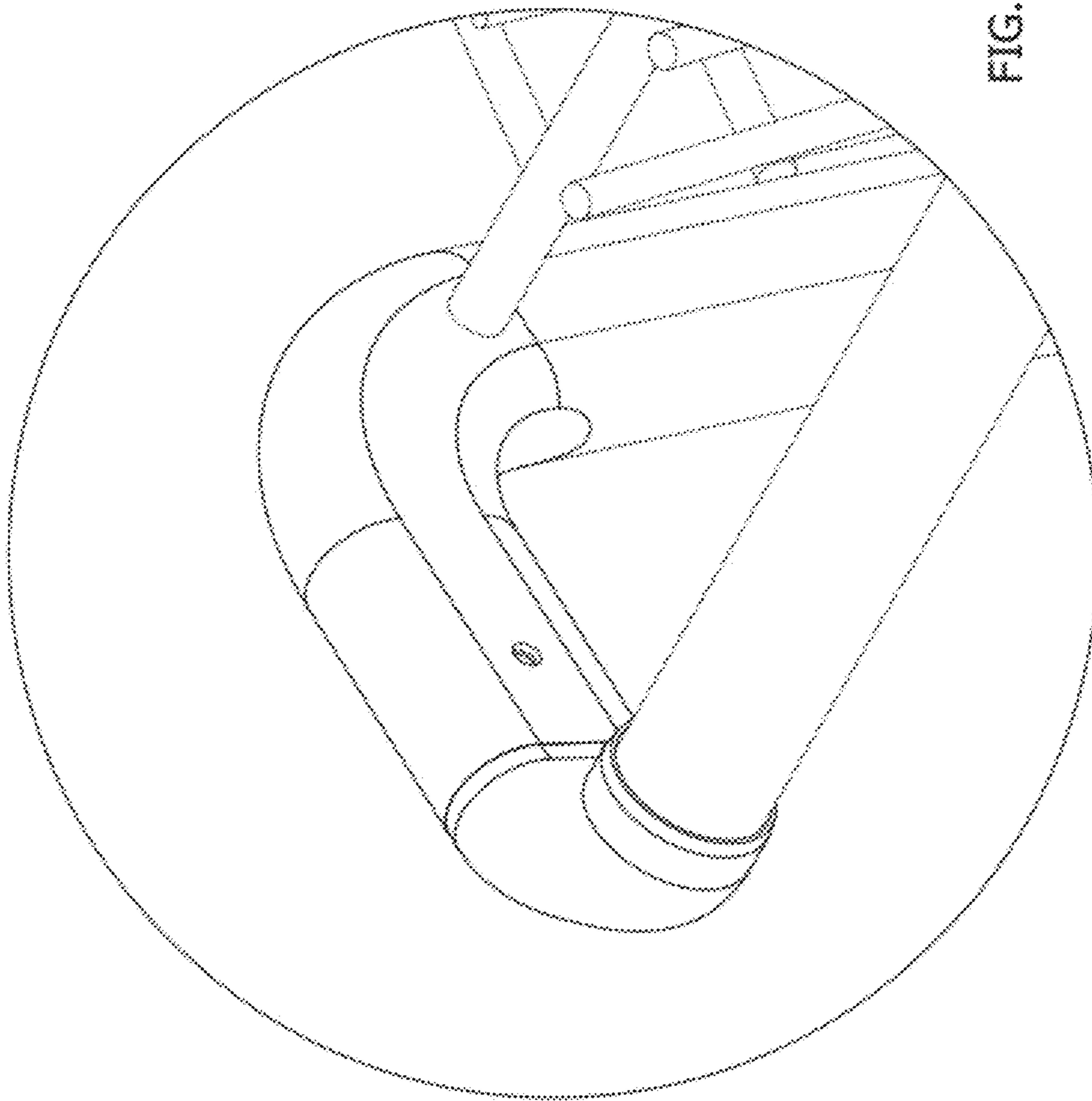


FIG. 9

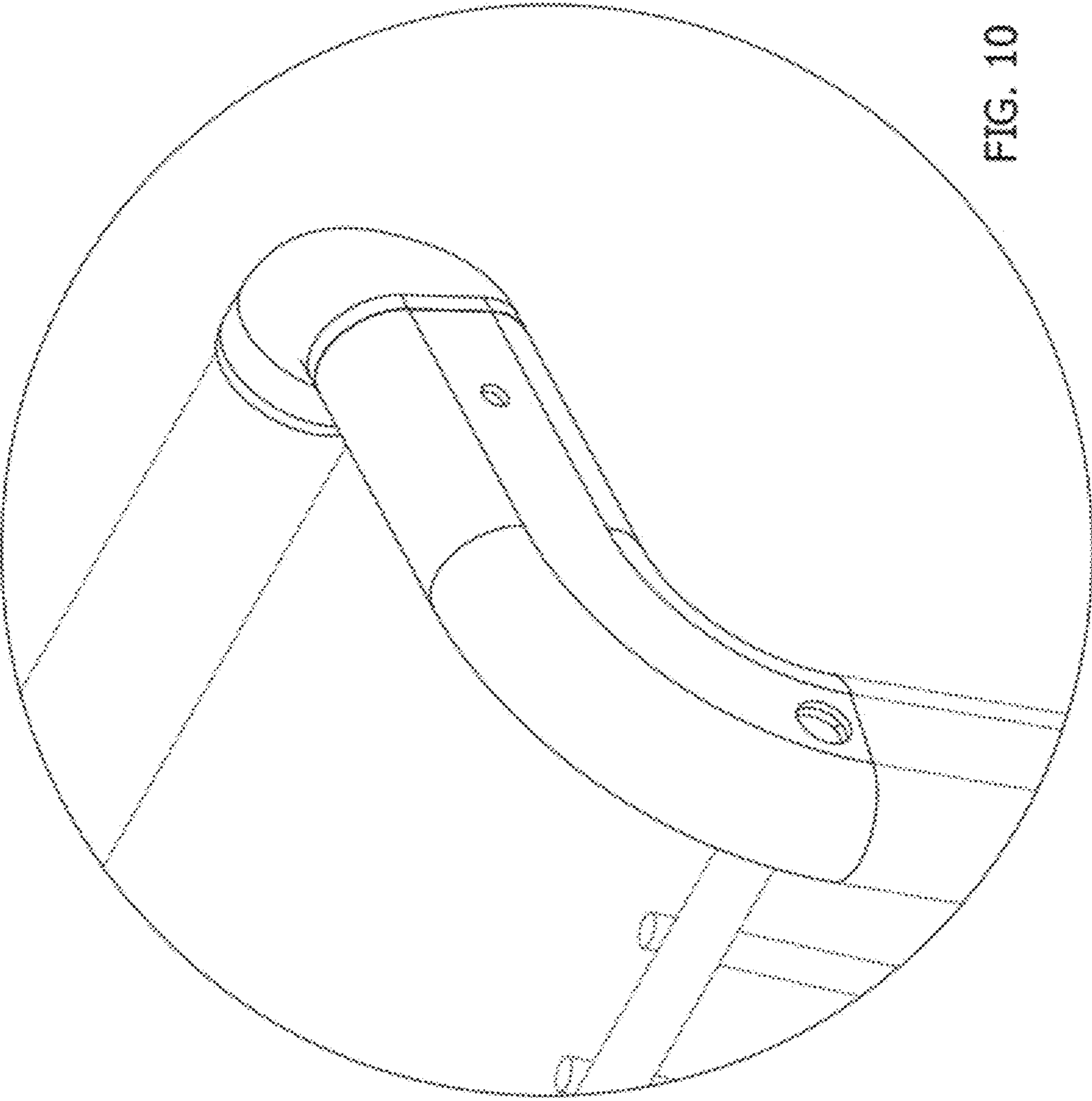


FIG. 10