



US00D659934S

(12) **United States Design Patent**
Hatcher et al.

(10) **Patent No.:** **US D659,934 S**

(45) **Date of Patent:** **** May 15, 2012**

(54) **WHEELBARROW WHEEL**

(75) Inventors: **Stephen D. Hatcher**, Camp Hill, PA
(US); **Eric Hyp**, Harrisburg, PA (US)

(73) Assignee: **Ames True Temper, Inc.**, Camp Hill, PA
(US)

(**) Term: **14 Years**

(21) Appl. No.: **29/389,057**

(22) Filed: **Apr. 6, 2011**

(51) **LOC (9) Cl.** **12-02**

(52) **U.S. Cl.** **D34/27**

(58) **Field of Classification Search** D34/12-27;
D12/211, 204, 205, 301, 209, 135; 280/282,
280/DIG. 6, 653; 188/218 XL; 298/3
See application file for complete search history.

(56) **References Cited**

U.S. PATENT DOCUMENTS

D276,513 S *	11/1984	Honsa	D12/501
D327,048 S *	6/1992	Markling et al.	D12/204
D419,516 S *	1/2000	Gagnon	D12/211
D444,283 S *	6/2001	Konkle	D34/27
D514,048 S *	1/2006	Sands	D12/209
7,048,296 B1 *	5/2006	Wu	280/651

D570,070 S *	5/2008	Morris	D34/27
D586,072 S *	2/2009	Morris	D34/27
D596,550 S *	7/2009	Marquette et al.	D12/211
D625,070 S *	10/2010	Maff	D34/10
D640,439 S *	6/2011	Morris	D34/27
D649,321 S *	11/2011	Hatcher et al.	D34/27

* cited by examiner

Primary Examiner — Cynthia Ramirez

(74) *Attorney, Agent, or Firm* — Eckert Seamans Cherin &
Mellott, LLC; David C. Jenkins

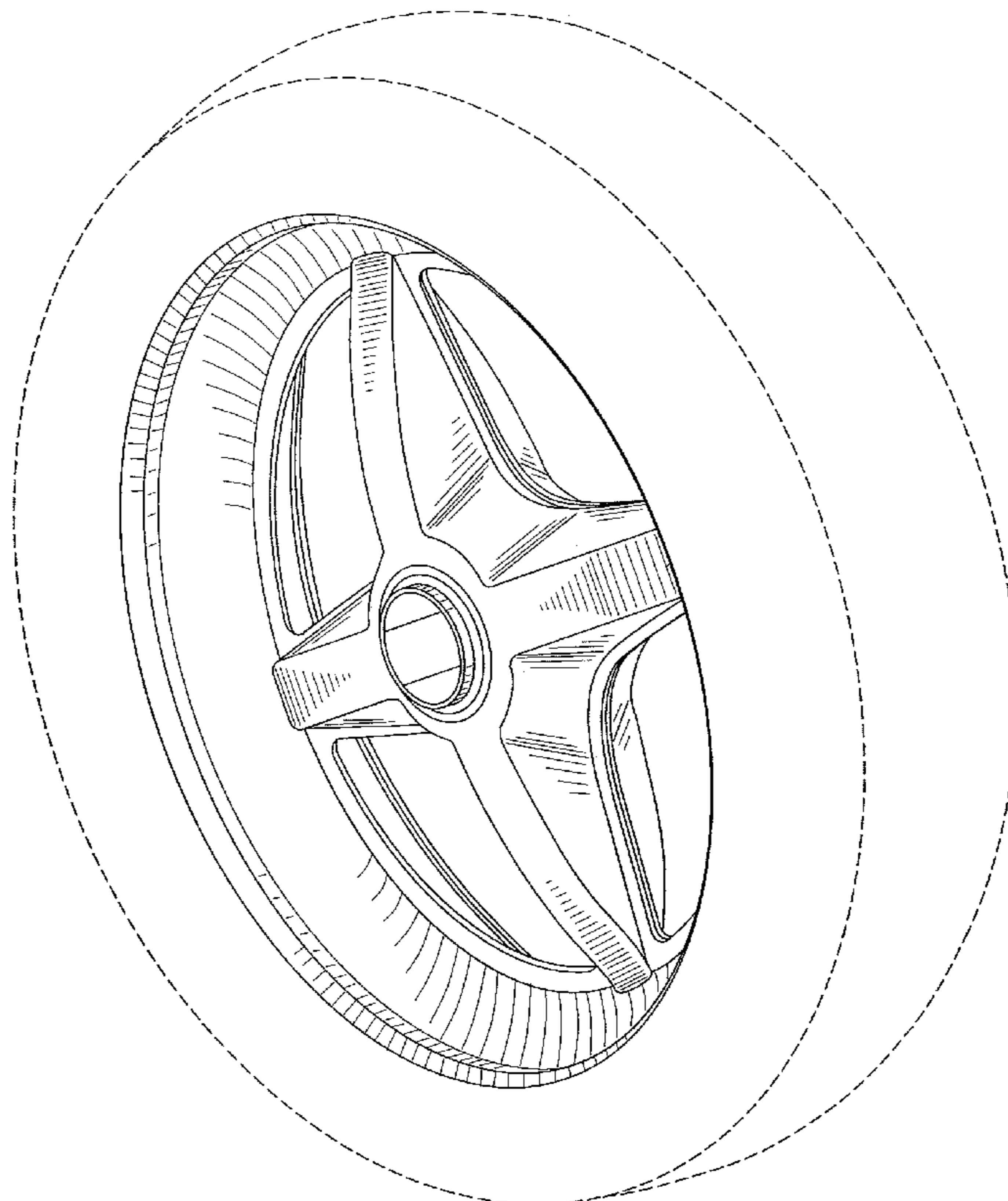
(57) **CLAIM**

The ornamental design for wheelbarrow wheel, as shown and described.

DESCRIPTION

FIG. 1 is an isometric view of the wheelbarrow wheel;
FIG. 2 is an axial view of the wheelbarrow wheel; and,
FIG. 3 is a radial view of the wheelbarrow wheel.
It is noted that the left and right axial views are identical.
Similarly, given the circular nature of the wheelbarrow wheel,
the front, back, top and bottom views are all radial views and
are identical. Further, the broken lines in the drawings are
included to shown elements of the wheelbarrow wheel and
form no part of the claimed design.

1 Claim, 3 Drawing Sheets



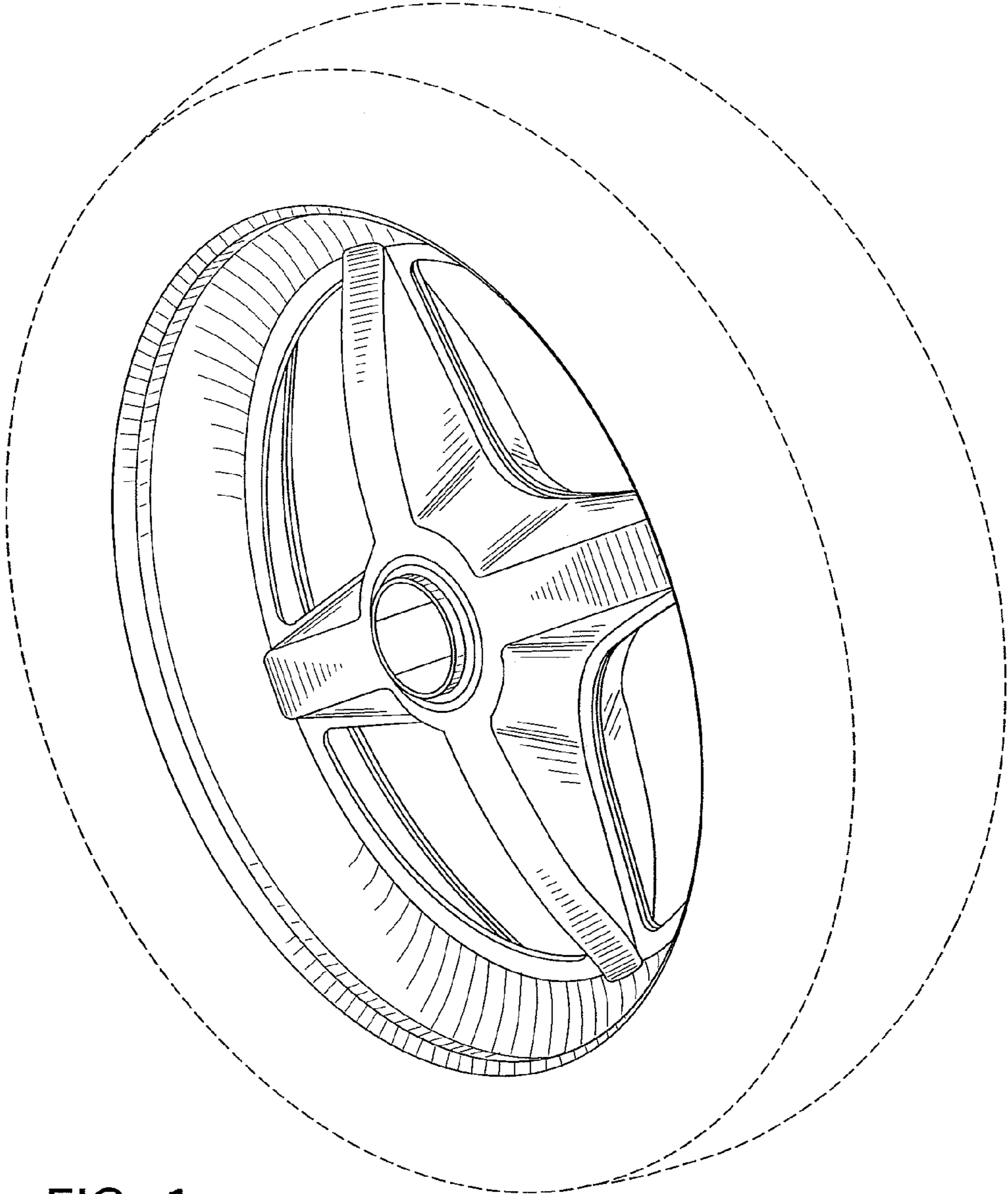


FIG. 1

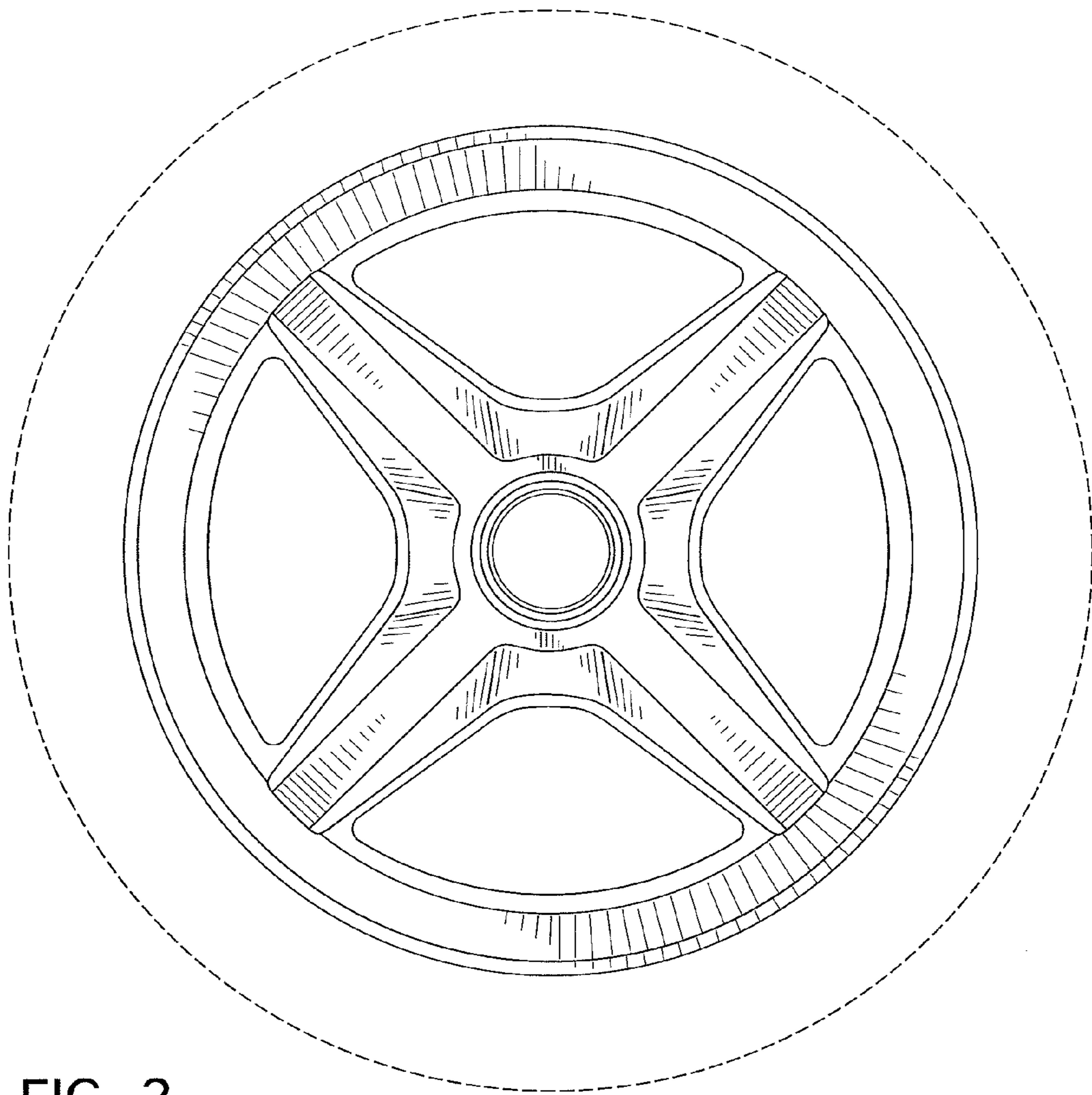


FIG. 2

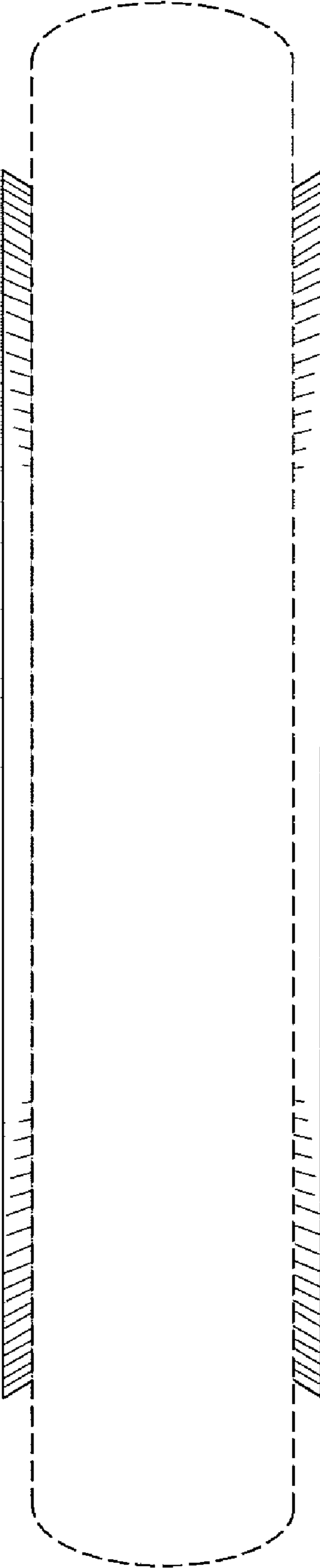


FIG. 3