



US00D659933S

(12) **United States Design Patent**  
**Ligon**

(10) **Patent No.:** **US D659,933 S**

(45) **Date of Patent:** **\*\* May 15, 2012**

(54) **TRASH CAN**

(76) Inventor: **Patricia B. Ligon**, Philadelphia, PA  
(US)

(\*\*) Term: **14 Years**

(21) Appl. No.: **29/404,254**

(22) Filed: **Oct. 18, 2011**

(51) **LOC (9) Cl.** ..... **09-09**

(52) **U.S. Cl.** ..... **D34/7**

(58) **Field of Classification Search** ..... D34/1,  
D34/7, 8, 9, 10, 11; 220/908, 908.1, 911,  
220/913, 262, 263, 264

See application file for complete search history.

(56) **References Cited**

**U.S. PATENT DOCUMENTS**

D68,055 S *	8/1925	Sauvage	.....	D34/11
D196,079 S *	8/1963	Marsh	.....	D34/8
D231,139 S *	4/1974	Stahel, II	.....	D19/85
D232,932 S *	9/1974	Stahel, II	.....	D19/75
4,577,778 A	3/1986	Kim		
D288,494 S *	2/1987	Palmer	.....	D34/5
4,955,497 A	9/1990	Winden et al.		
D416,658 S *	11/1999	Houry	.....	D34/7
6,283,321 B1	9/2001	Meshorer		
D450,414 S *	11/2001	Rashid	.....	D34/11

D471,686 S *	3/2003	Zimmerman	.....	D34/8
D473,361 S *	4/2003	Englert et al.	.....	D34/7
D532,949 S	11/2006	Printemps		
D584,872 S *	1/2009	Fankhauser	.....	D34/7
D627,533 S *	11/2010	Yang et al.	.....	D34/7

\* cited by examiner

*Primary Examiner* — Cynthia Ramirez

(57) **CLAIM**

The ornamental design for a trash can, as shown and described.

**DESCRIPTION**

FIG. 1 is a front elevation view of a trash can showing my new design with a base and a lid separated for clarity;  
 FIG. 2 is a rear elevation view thereof;  
 FIG. 3 is a right elevation view thereof;  
 FIG. 4 is a left elevation view thereof;  
 FIG. 5 is a top plan view thereof;  
 FIG. 6 is a bottom plan view thereof; and,  
 FIG. 7 is an isometric view thereof shown with doors in an open position.  
 The broken lines in FIG. 7 depict environmental subject matter only and form no part of the claimed design.

**1 Claim, 7 Drawing Sheets**

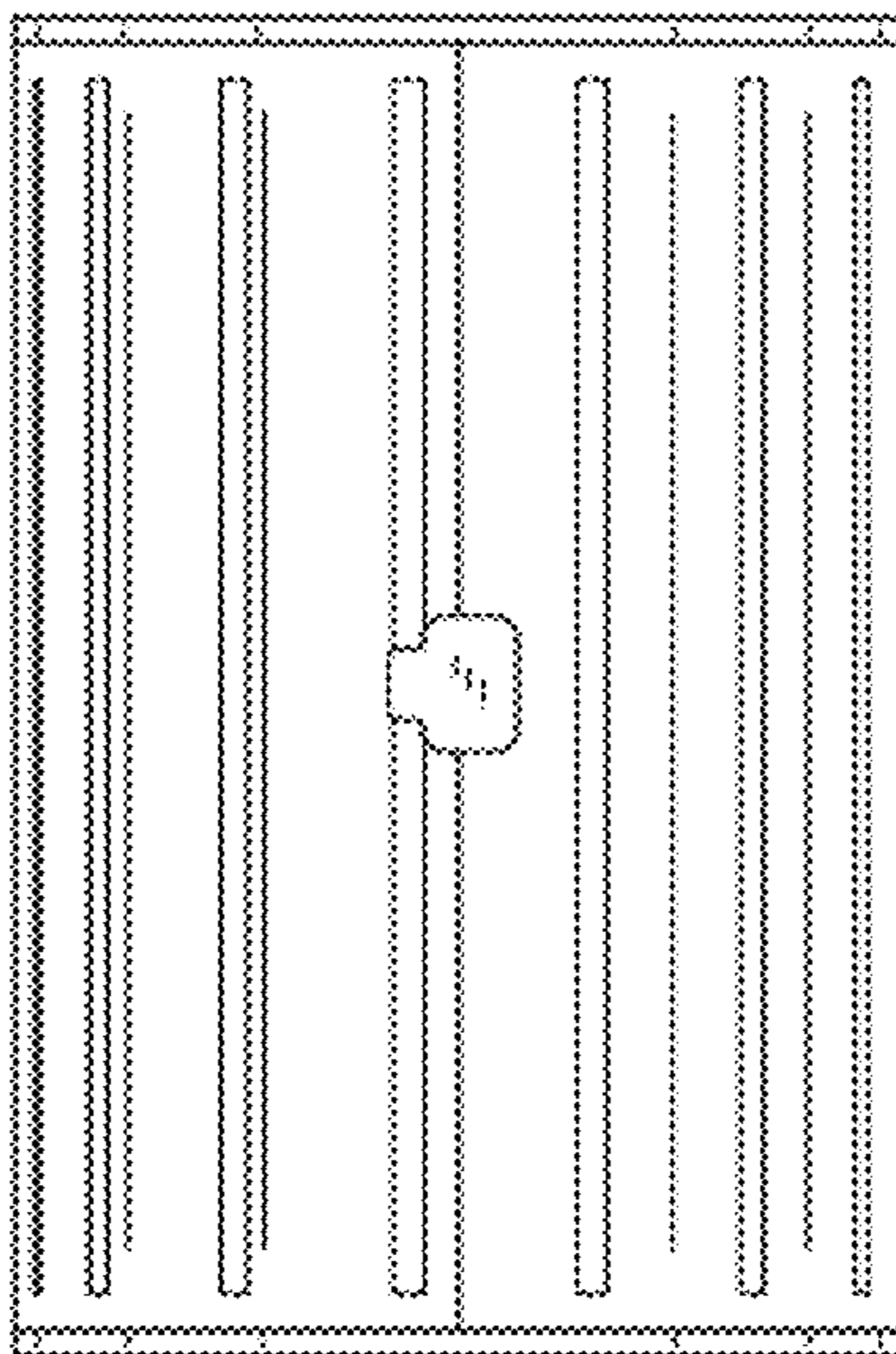
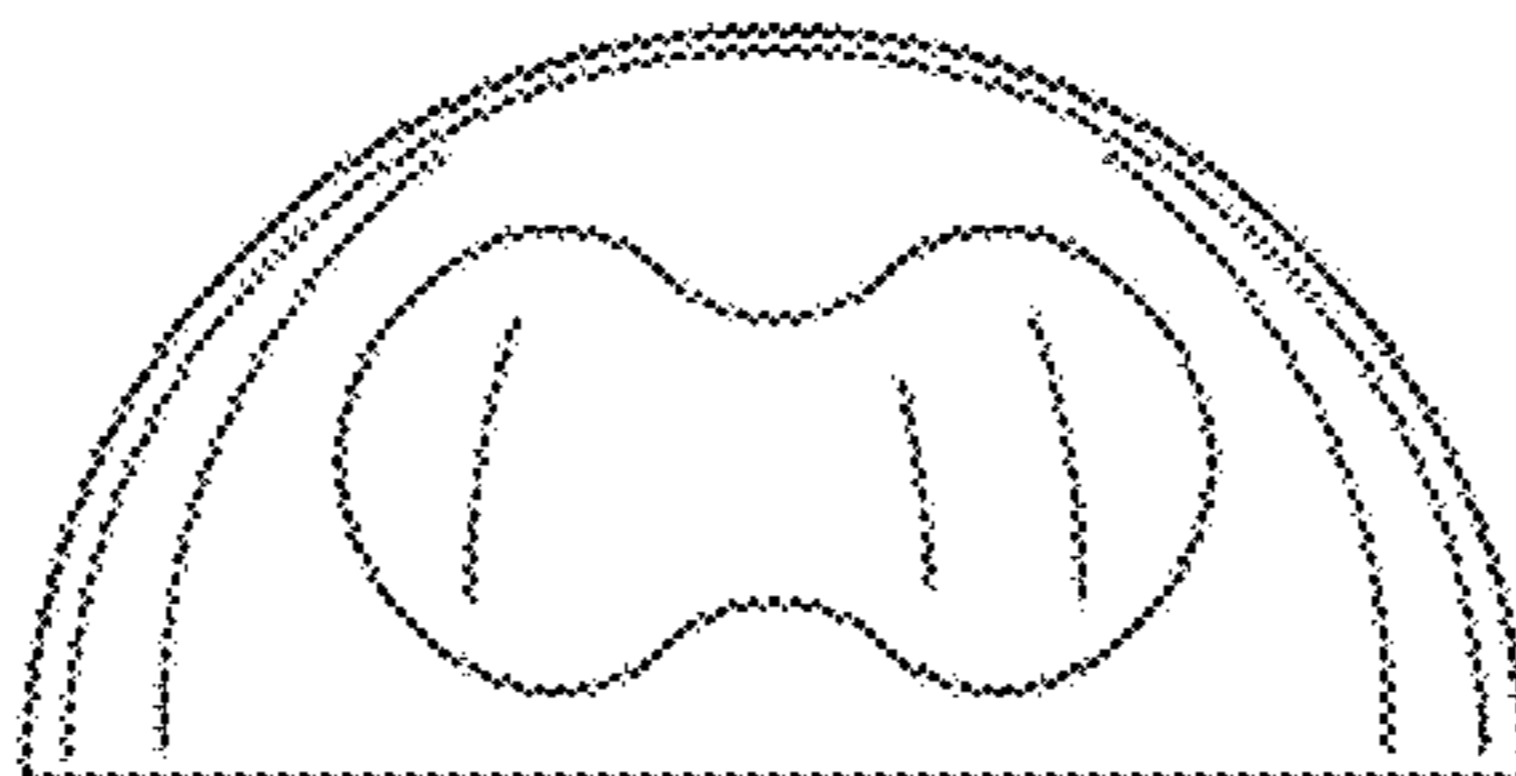


FIG. 1

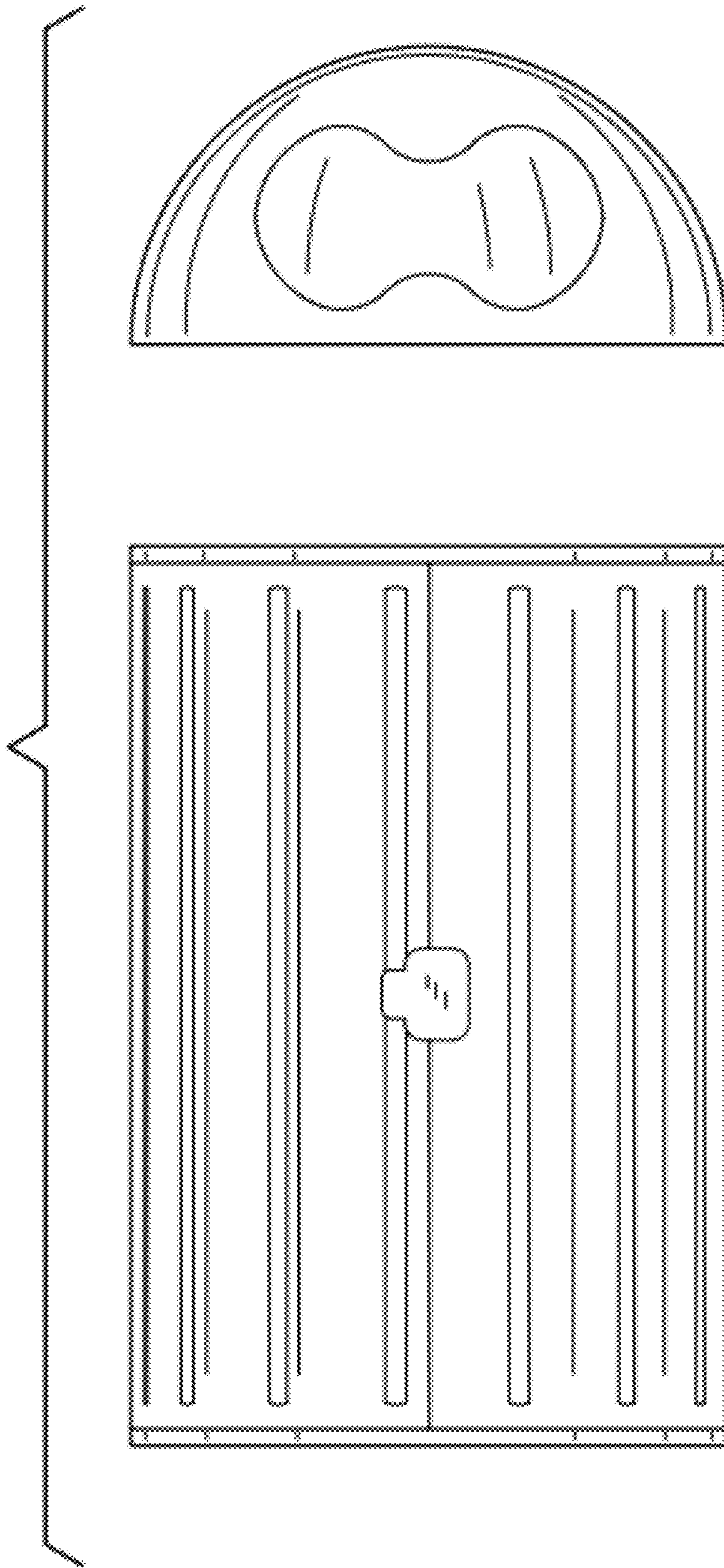
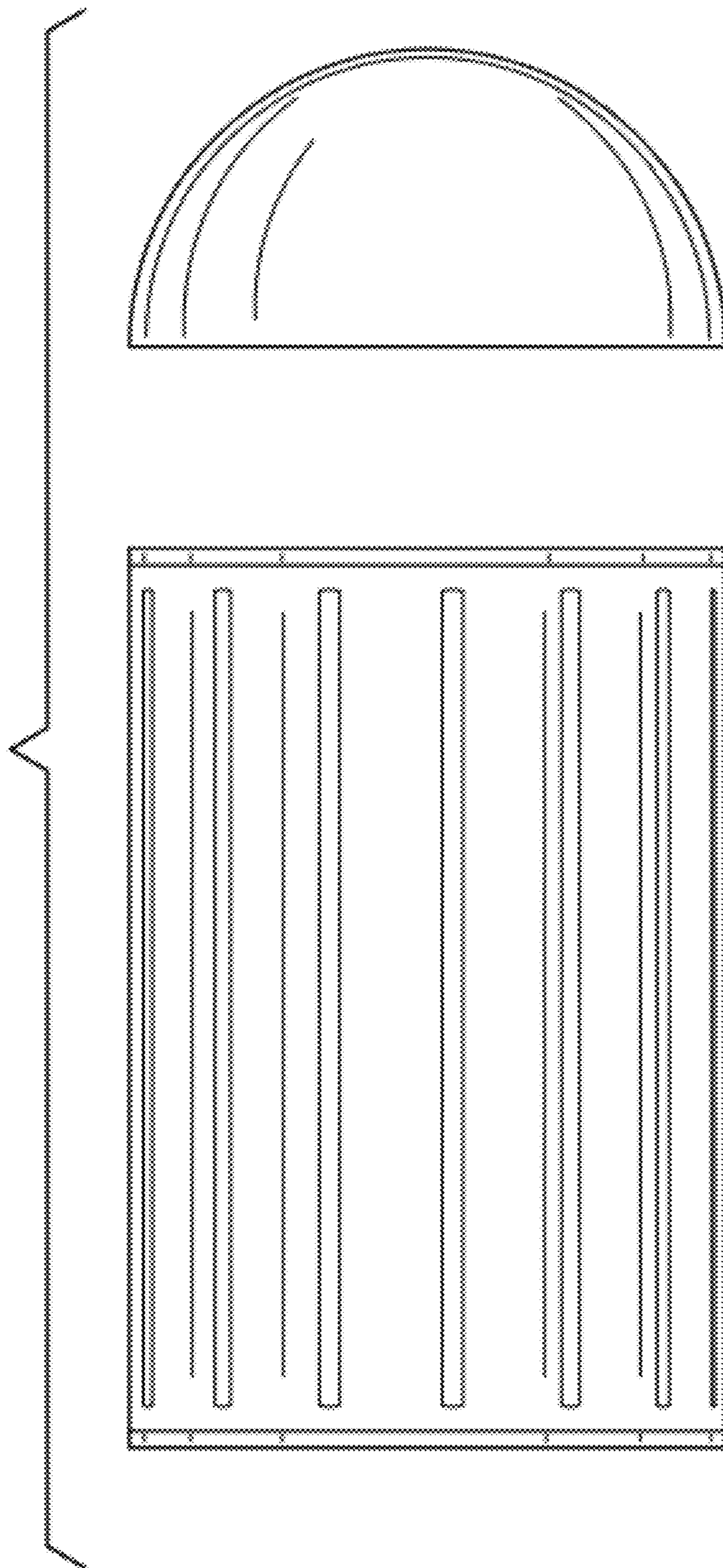


FIG. 2



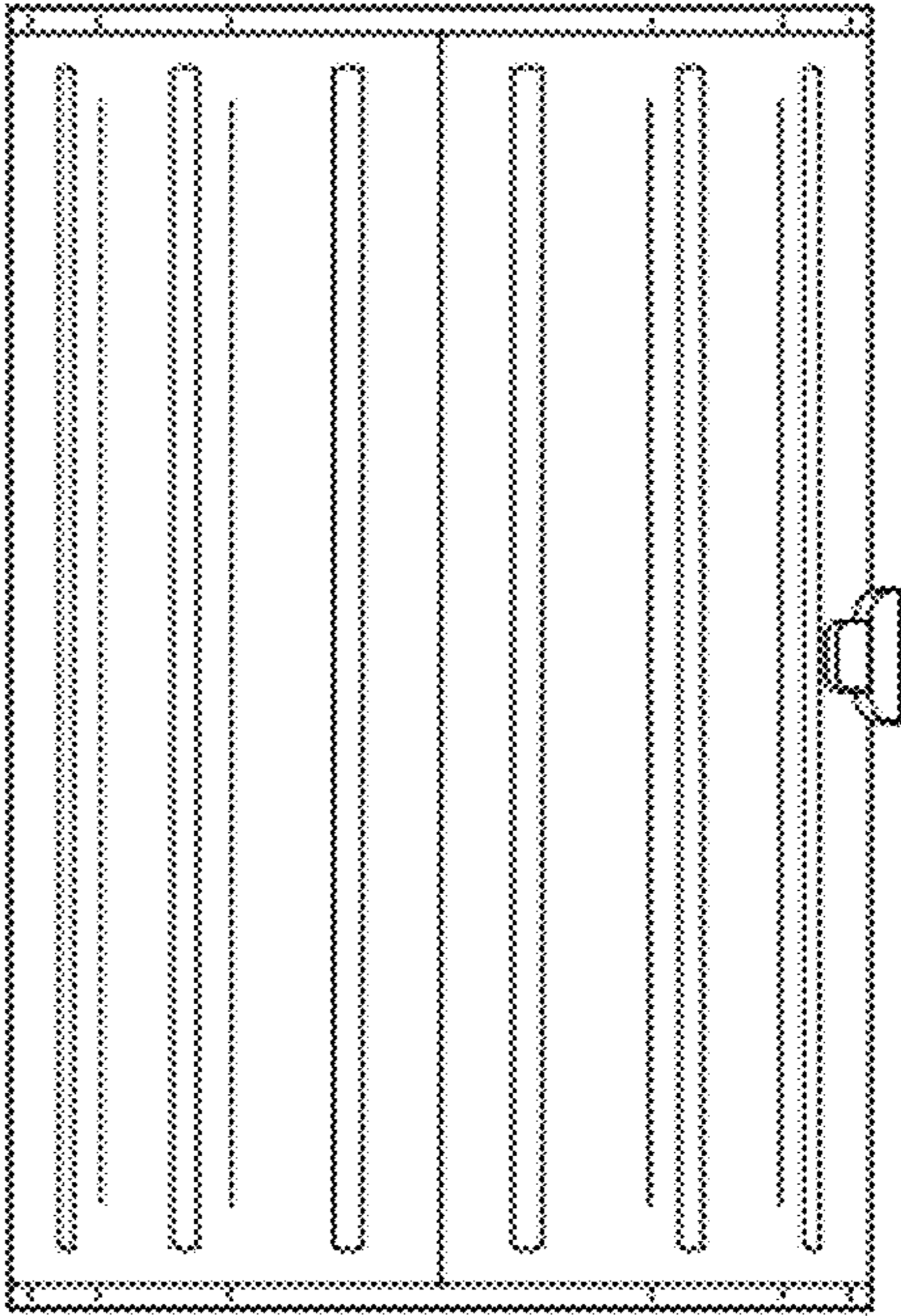
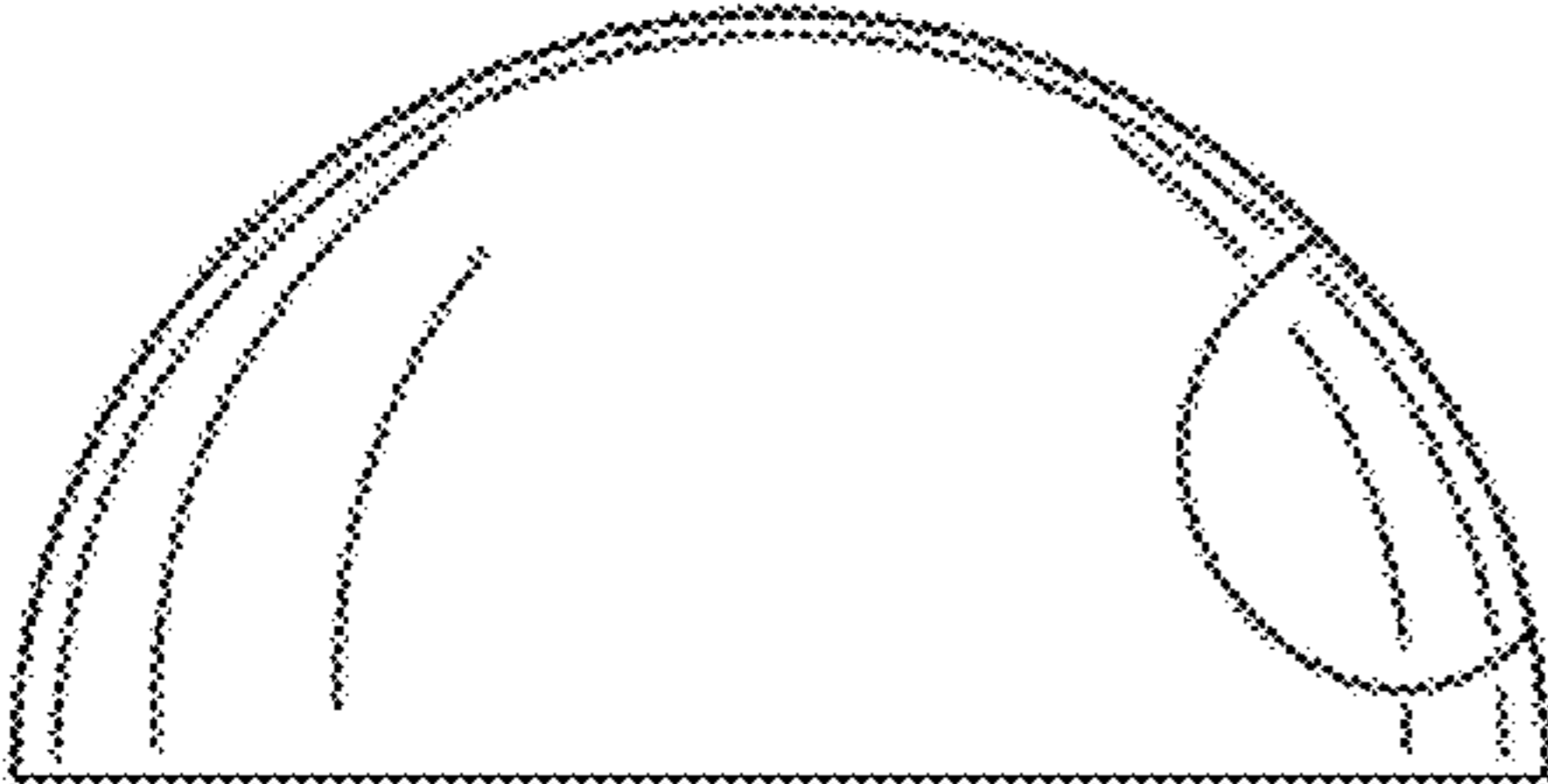


FIG. 3

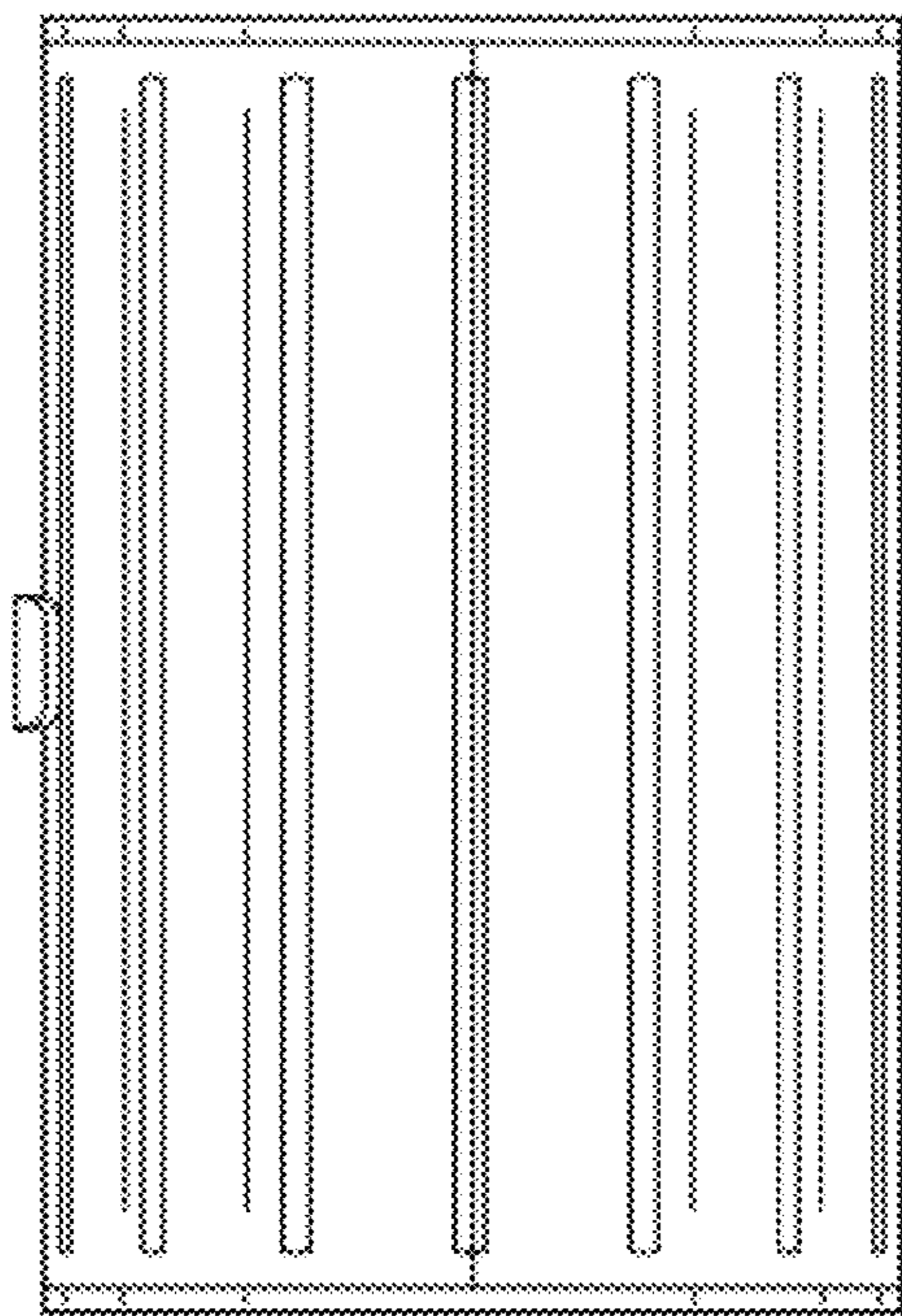
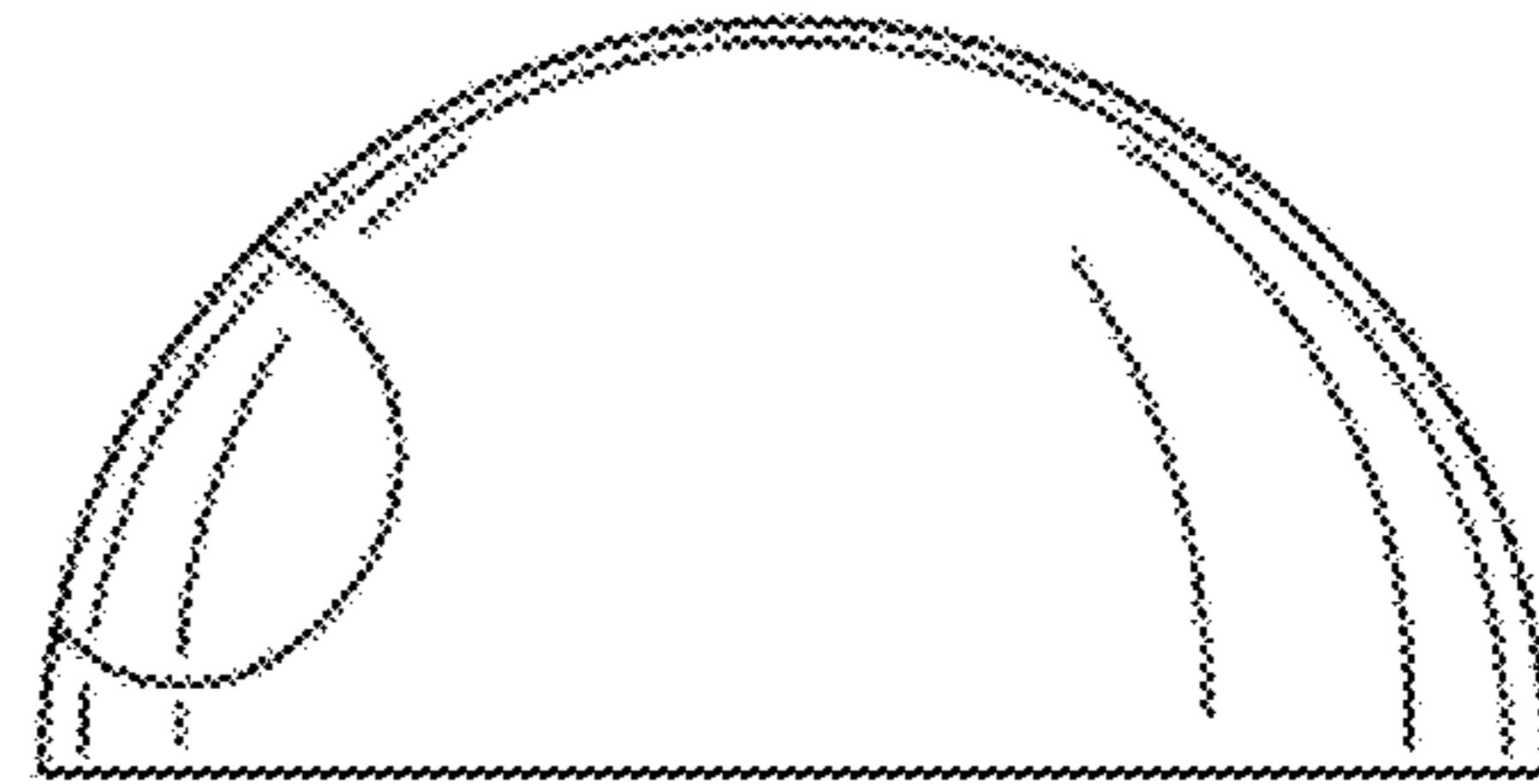


FIG. 4

FIG. 5

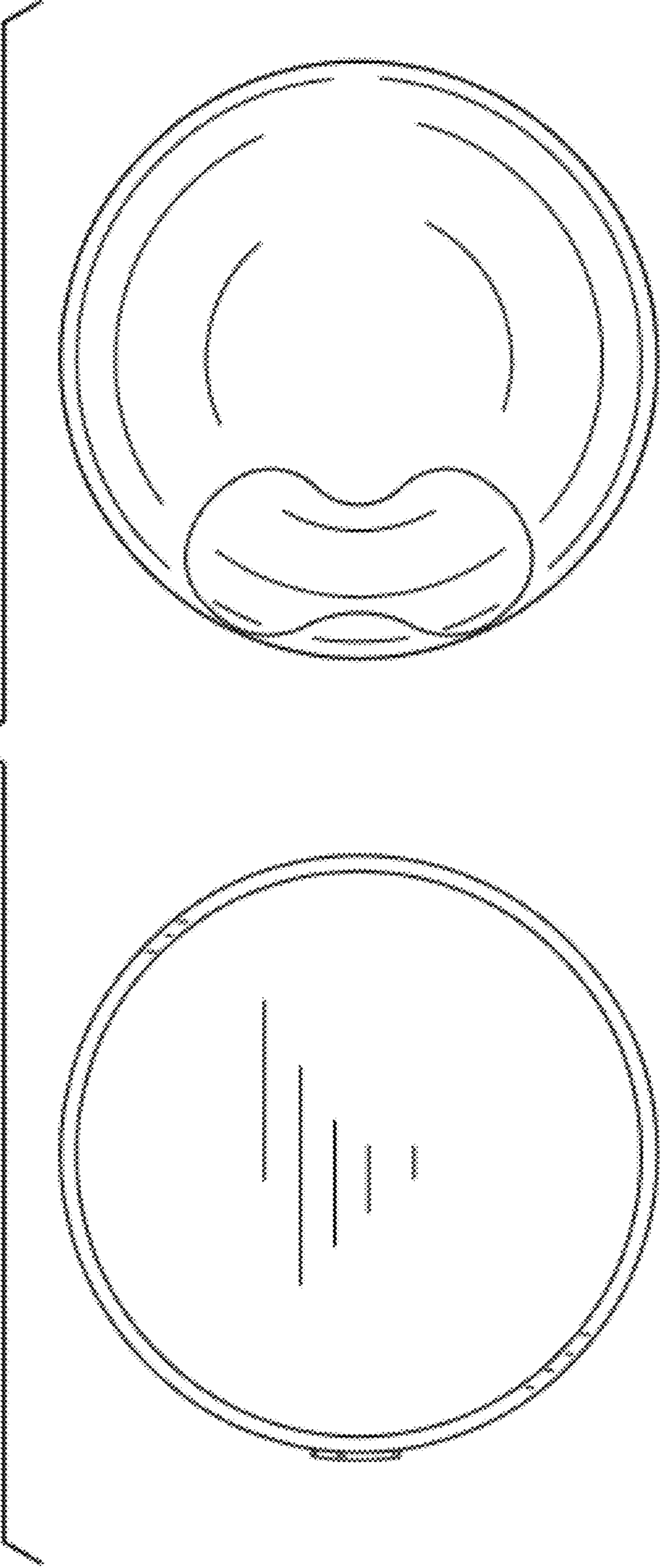


FIG. 6

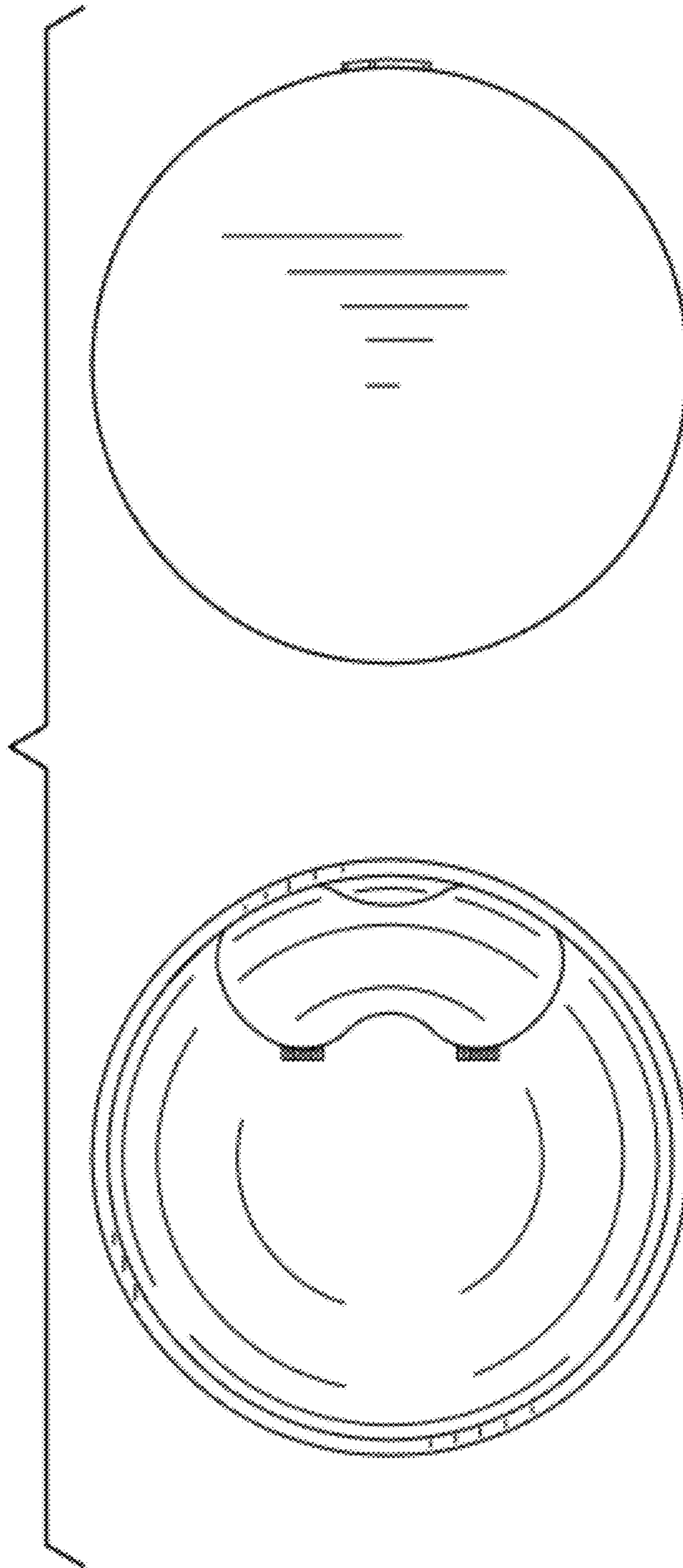


FIG. 7

