



US00D659929S

(12) **United States Design Patent**  
**Yan**

(10) **Patent No.:** **US D659,929 S**

(45) **Date of Patent:** **\*\* May 15, 2012**

(54) **STEAM IRON**

(75) Inventor: **Jiebo Yan**, Ningbo (CN)

(73) Assignee: **Ningbo Kaibo Group Co., Ltd.**,  
Zhouxiang, Cixi, Ningbo, Zhejiang  
Province (CN)

(\*\*) Term: **14 Years**

(21) Appl. No.: **29/406,175**

(22) Filed: **Nov. 10, 2011**

(30) **Foreign Application Priority Data**

May 11, 2011 (CN) ..... 2011 3 0113829

(51) **LOC (9) Cl.** ..... **07-05**

(52) **U.S. Cl.** ..... **D32/70**

(58) **Field of Classification Search** ..... D32/73,  
D32/72, 71, 70, 69, 68, 35; 392/404; 38/97,  
38/96, 93, 88, 77.9, 77.83, 77.82, 77.81,  
38/77.8, 77.7, 77.6, 77.5, 77.3, 77.1; 219/251,  
219/245

See application file for complete search history.

(56) **References Cited**

**U.S. PATENT DOCUMENTS**

D470,635 S *	2/2003	Choi	.....	D32/70
D484,289 S *	12/2003	Berthier	.....	D32/70
D488,275 S *	4/2004	Gudefin	.....	D32/70
D511,033 S *	10/2005	Berthier	.....	D32/70

D531,372 S *	10/2006	Poon	.....	D32/70
D535,074 S *	1/2007	Bas et al.	.....	D32/70
D538,990 S *	3/2007	Poon	.....	D32/70
D550,915 S *	9/2007	Poon	.....	D32/70
D555,315 S *	11/2007	Poon	.....	D32/70
D565,820 S *	4/2008	Poon	.....	D32/70
D568,020 S *	4/2008	Poon	.....	D32/70
D620,663 S *	7/2010	Zabala	.....	D32/70
D634,499 S *	3/2011	Chinda	.....	D32/70
D635,730 S *	4/2011	Choi et al.	.....	D32/70
D645,629 S *	9/2011	Powell	.....	D32/70
D646,862 S *	10/2011	Choi et al.	.....	D32/70

\* cited by examiner

*Primary Examiner* — Austin Murphy

(74) *Attorney, Agent, or Firm* — Global IP Services; Tian Hua Gu

(57) **CLAIM**

The ornamental design for a steam iron, as shown and described.

**DESCRIPTION**

FIG. 1 is a front perspective view of a steam iron showing my new design;

FIG. 2 is a front elevation view thereof;

FIG. 3 is a rear elevation view thereof;

FIG. 4 is a left side elevation view thereof.

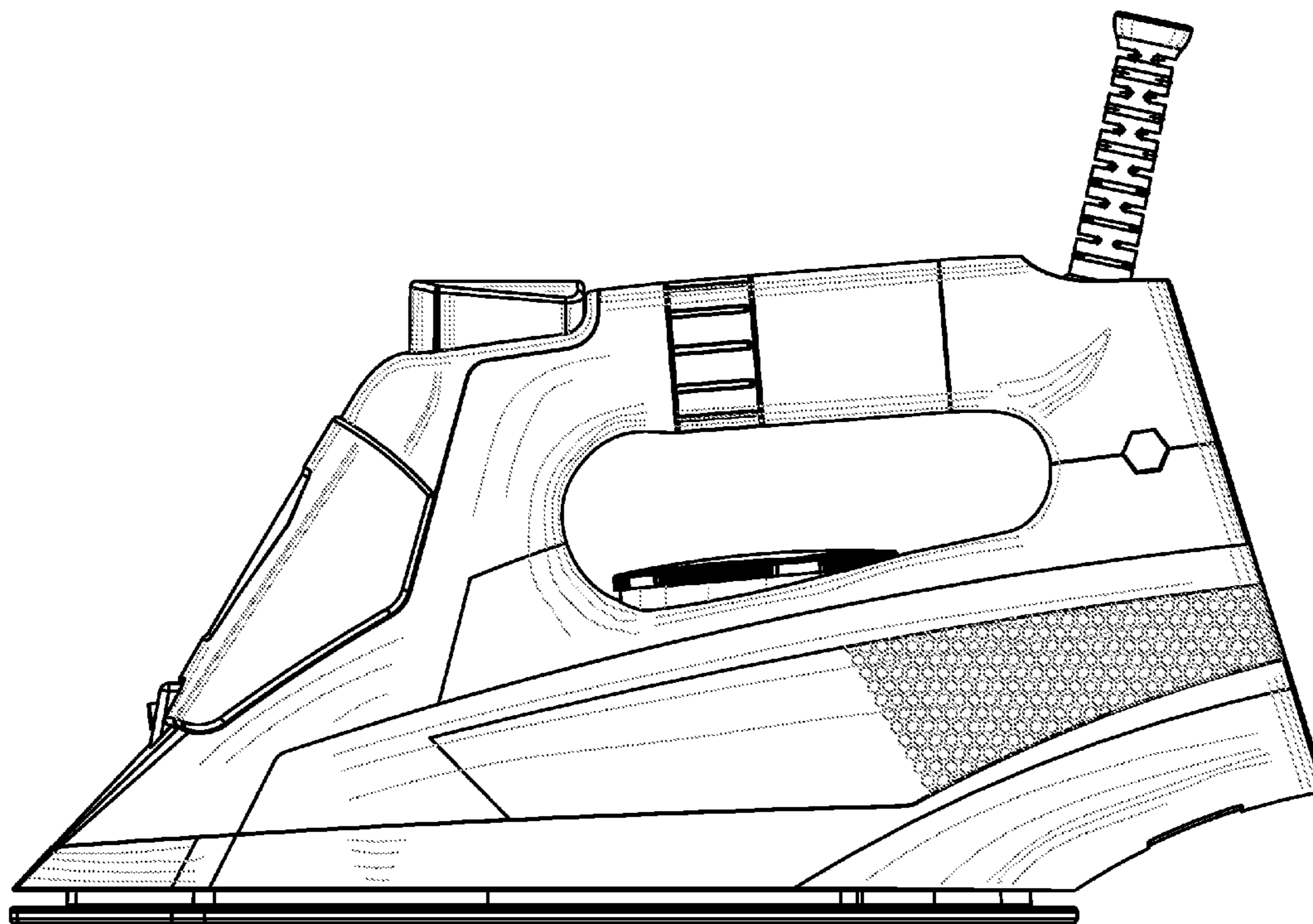
FIG. 5 is a right side elevation view thereof;

FIG. 6 is a bottom plan view thereof; and,

FIG. 7 is a top plan view thereof.

The broken lines shown in the drawings represent portions of the steam iron that form no part of the claimed design.

**1 Claim, 5 Drawing Sheets**



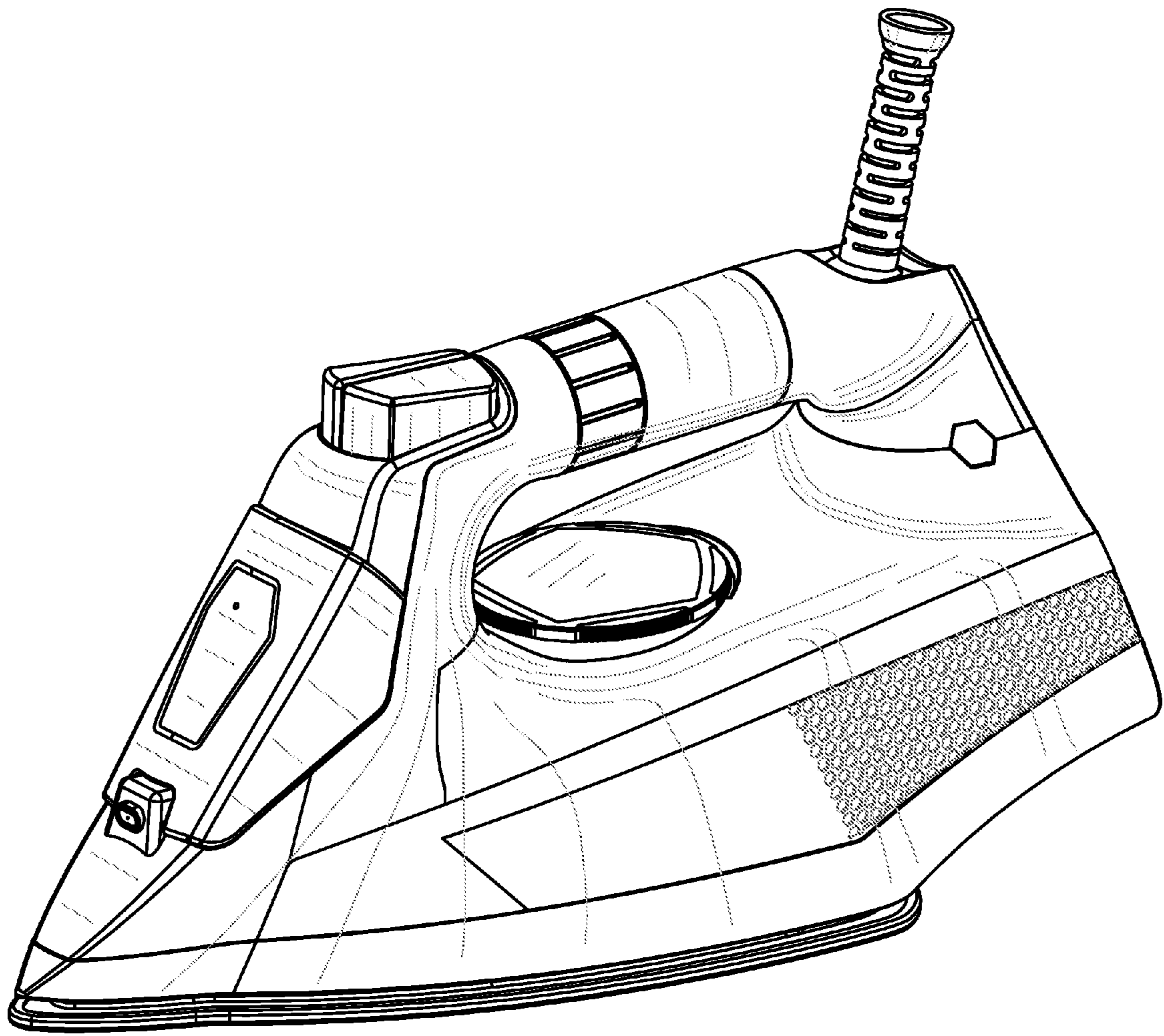


FIG. 1

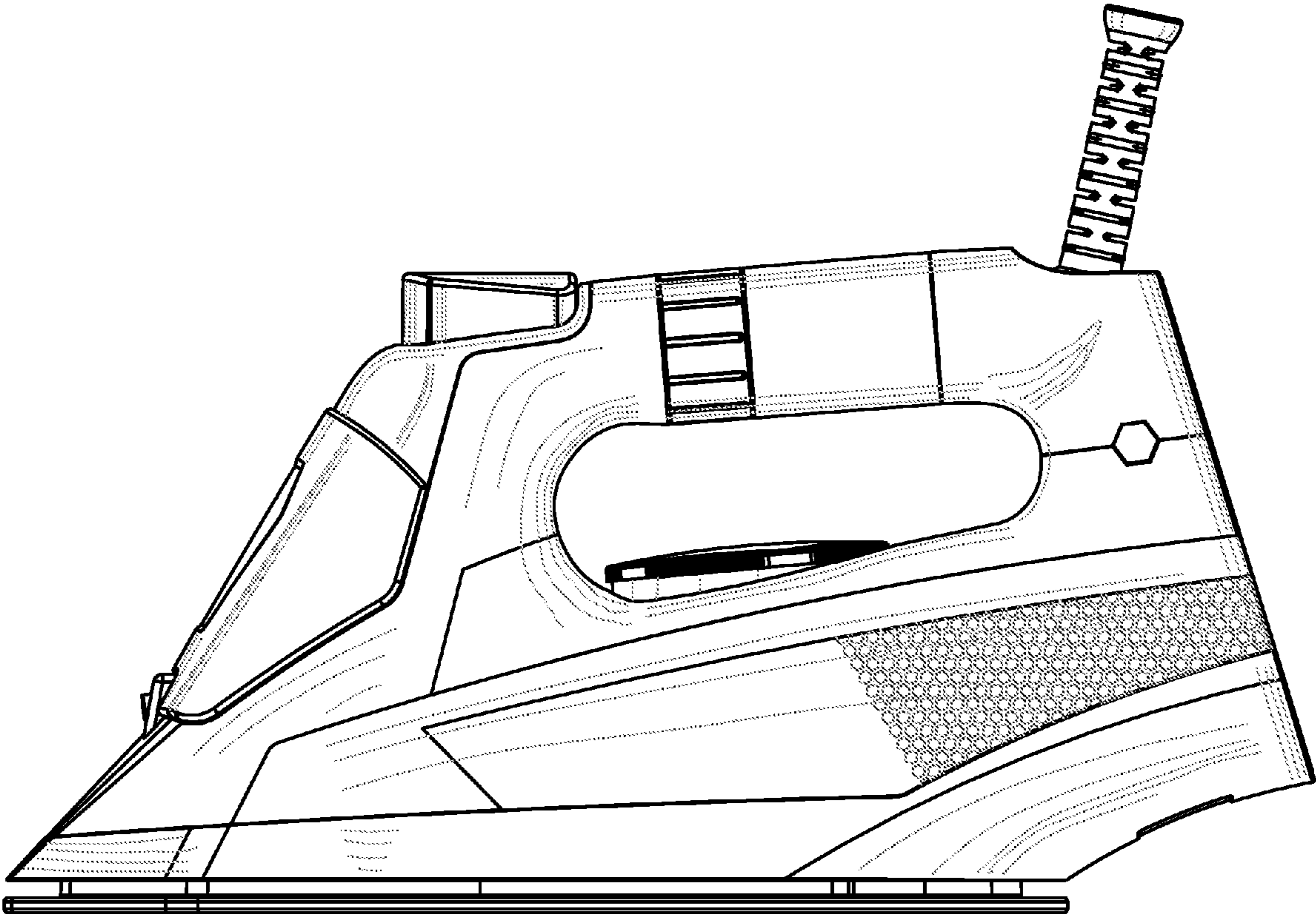


FIG. 2

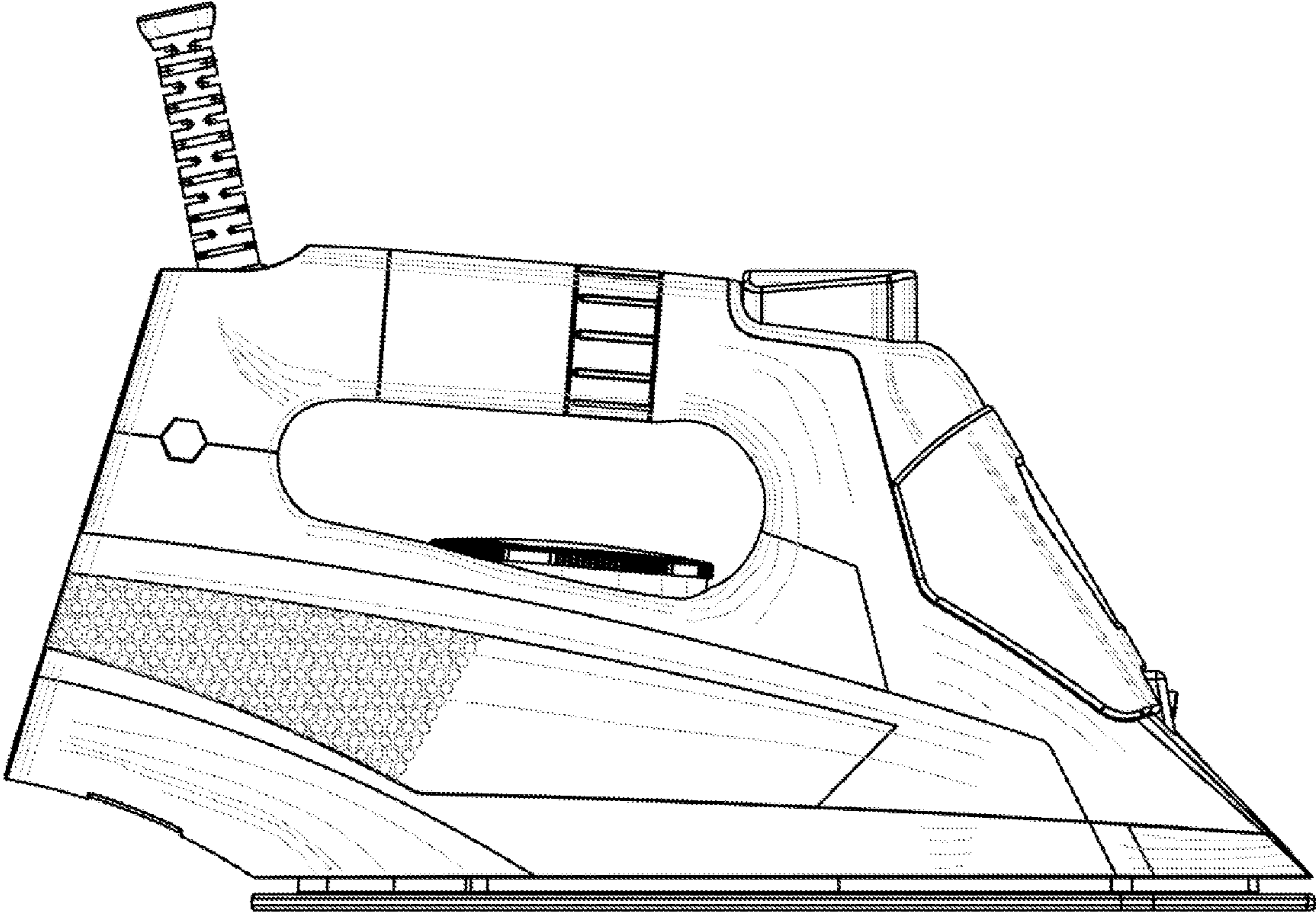


FIG. 3

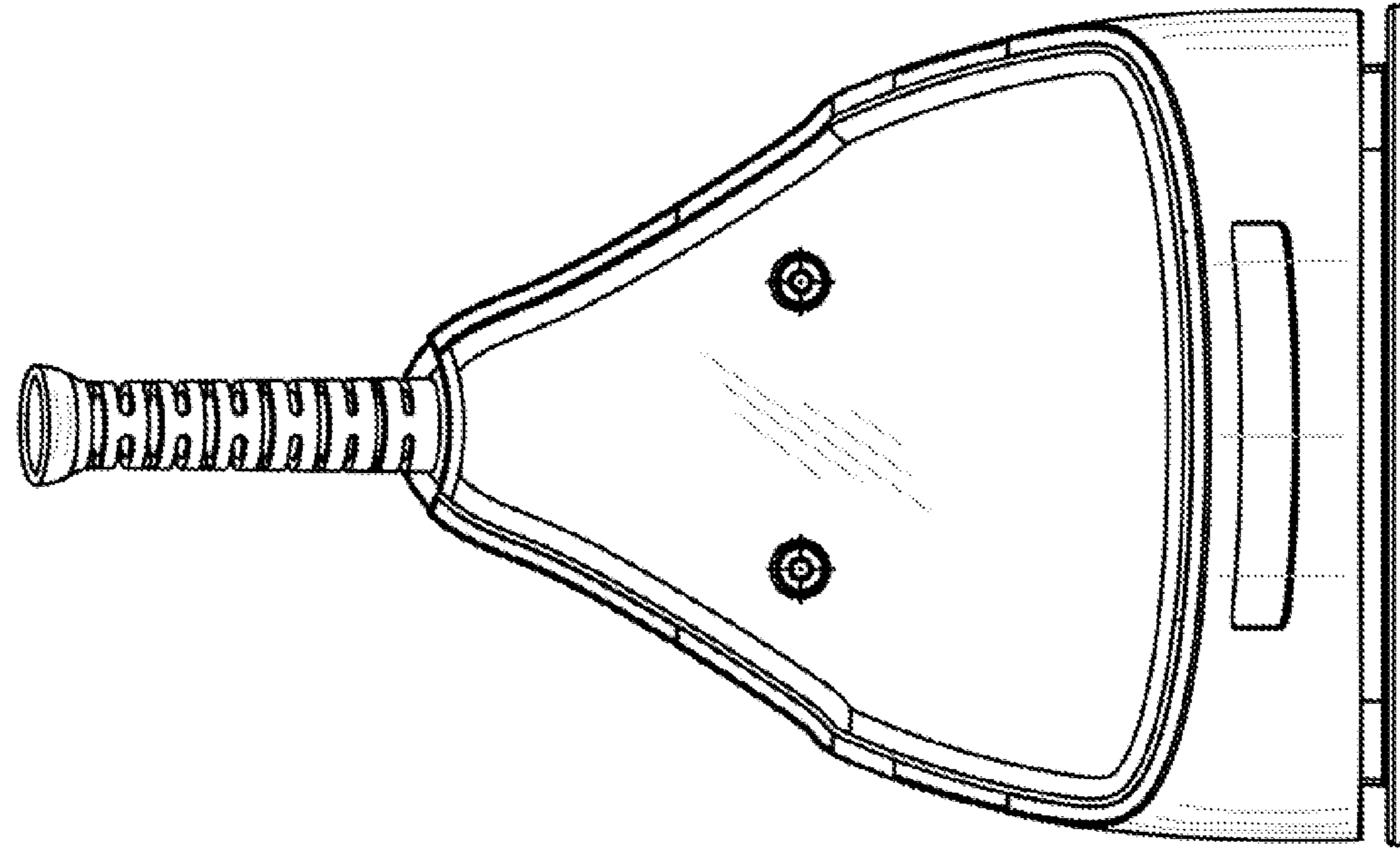


FIG. 5

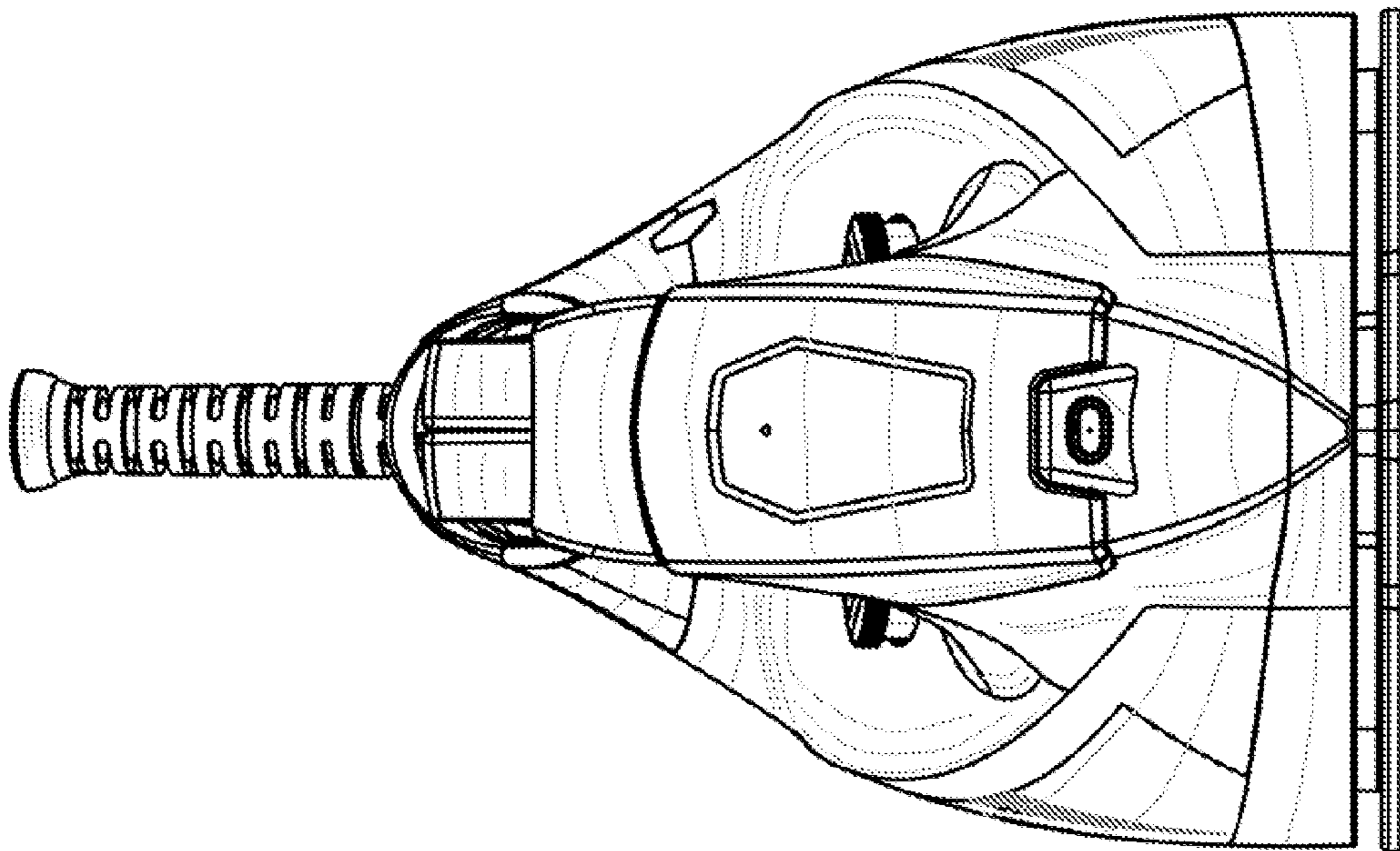


FIG. 4

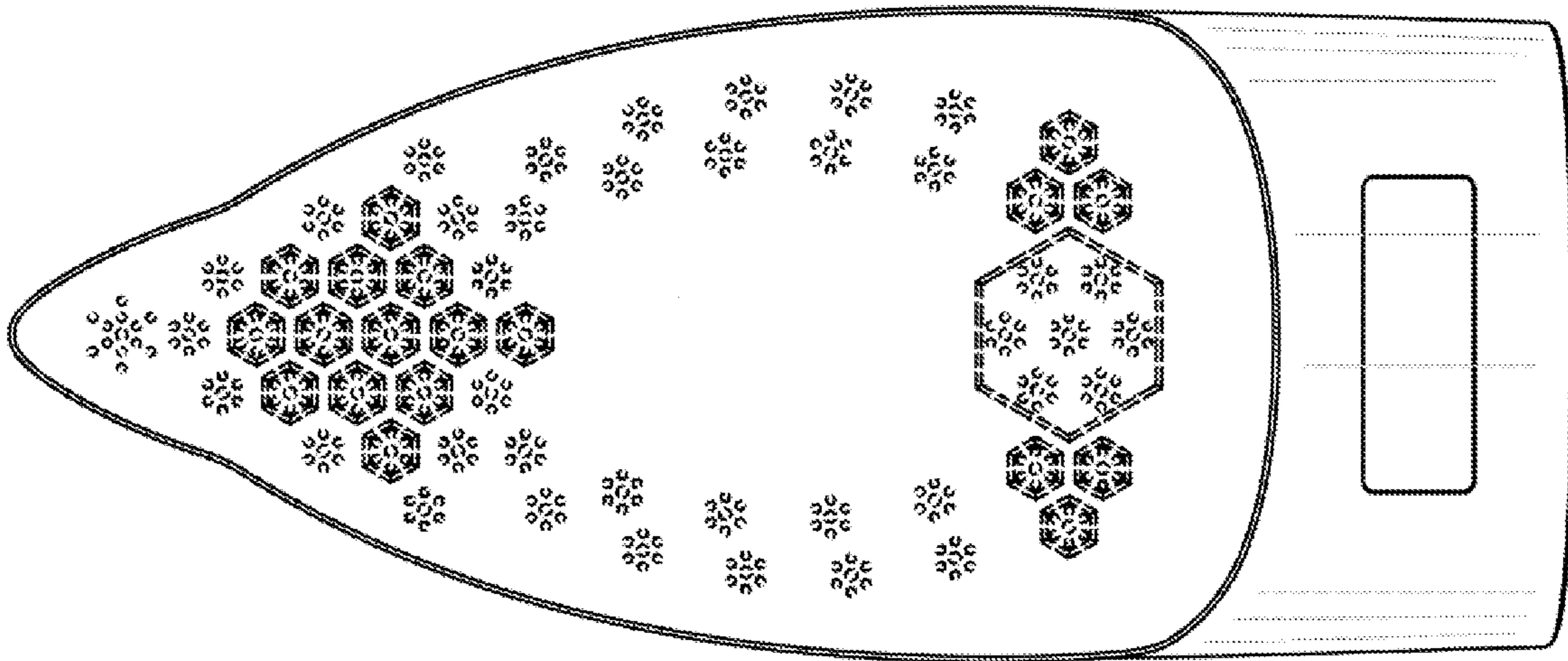


FIG. 6

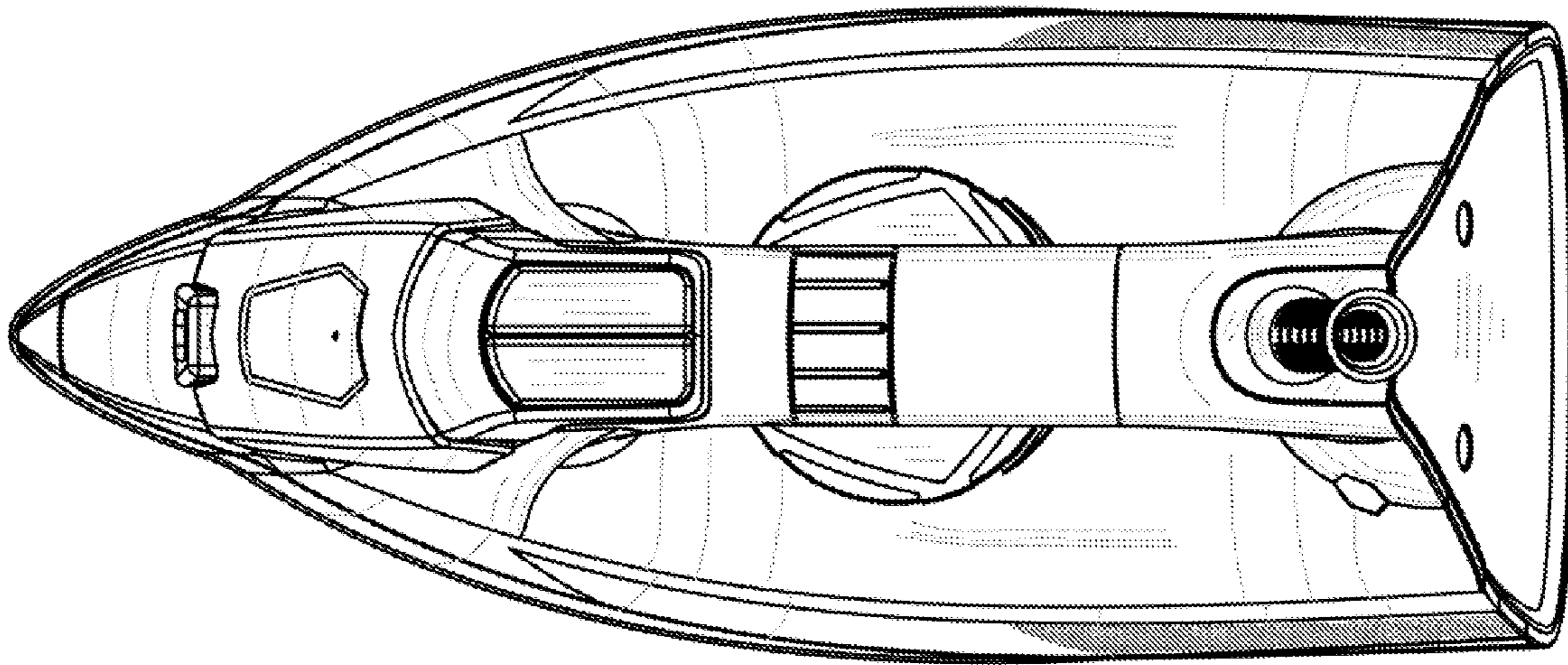


FIG. 7