



US00D659927S

(12) **United States Design Patent**
Land

(10) **Patent No.:** **US D659,927 S**

(45) **Date of Patent:** **** May 15, 2012**

(54) **DRYWALL PAN COVER**

(76) Inventor: **David Land**, Maui, HI (US)

(**) Term: **14 Years**

(21) Appl. No.: **29/404,930**

(22) Filed: **Oct. 26, 2011**

(51) **LOC (9) Cl.** **07-07**

(52) **U.S. Cl.** **D32/54**

(58) **Field of Classification Search** D32/53-54;
220/694-702; D7/354, 391, 392.1; 249/121
See application file for complete search history.

(56) **References Cited**

U.S. PATENT DOCUMENTS

2,804,755	A *	9/1957	Ansel	249/121
3,414,229	A *	12/1968	Norberg	249/121
3,477,095	A *	11/1969	Lensky	425/317
4,432,529	A *	2/1984	McMillan	249/52
D497,461	S *	10/2004	Rhodes	D32/53

7,975,905 B2 * 7/2011 Humphries et al. 229/103.11
* cited by examiner

Primary Examiner — Robin V Webster

(74) *Attorney, Agent, or Firm* — Leighton K. Chong

(57) **CLAIM**

The ornamental design for a drywall pan cover, as shown and described.

DESCRIPTION

FIG. 1 is a front perspective view of my new design for a drywall pan cover, shown as used to cover a drywall pan (in phantom lines).

FIG. 2 is a left side view of the article in FIG. 1, of which a right side view is a mirror image thereof;

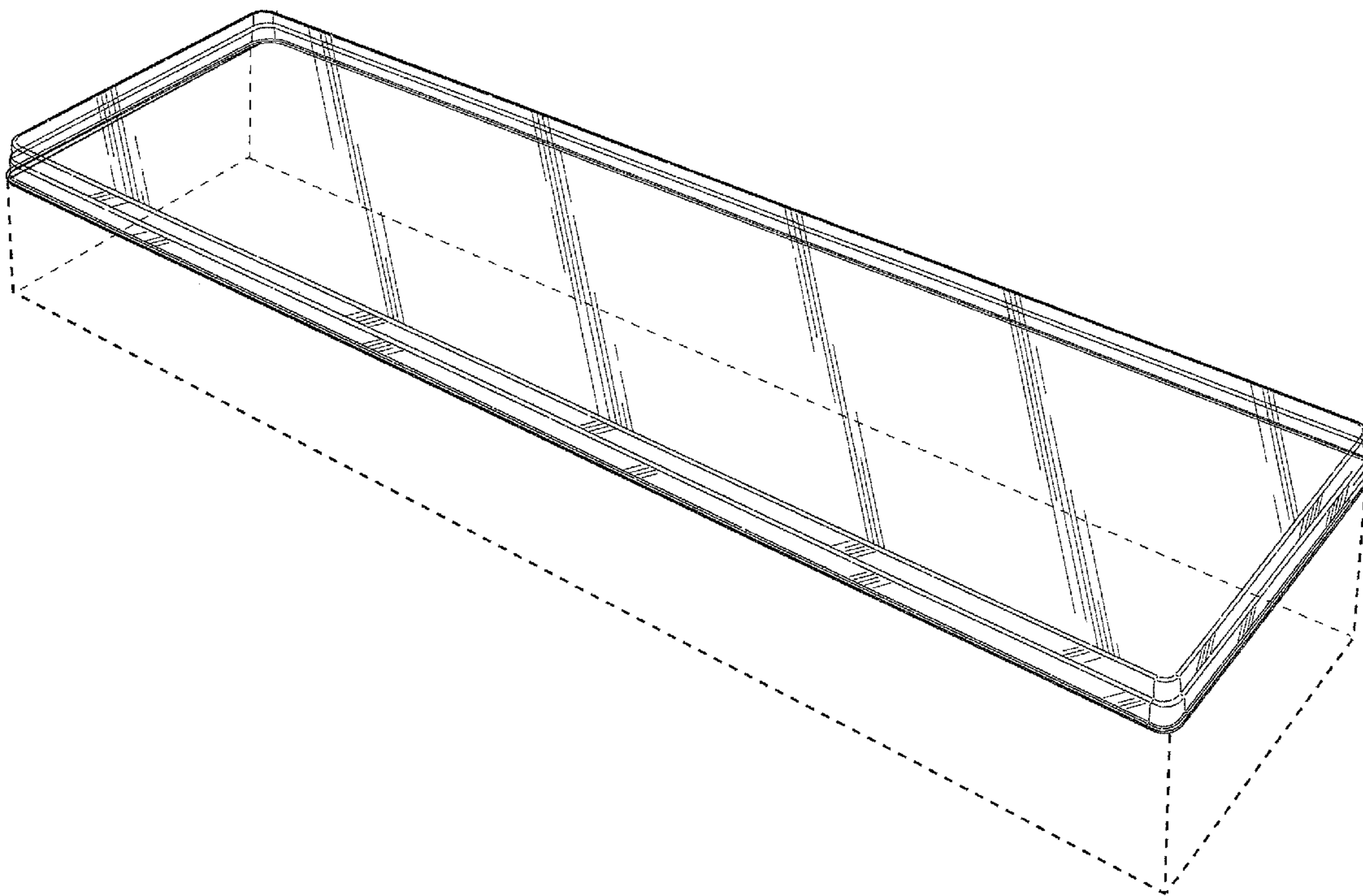
FIG. 3 is a front end view of the article in FIG. 1, of which a rear side view is a mirror image thereof;

FIG. 4 is a bottom view of the article in FIG. 1; and,

FIG. 5 is a top view of the article in FIG. 1.

The broken line showing of the dry wall pan in FIG. 1 is included for the purpose of illustrating and forms no part of the claimed design.

1 Claim, 4 Drawing Sheets



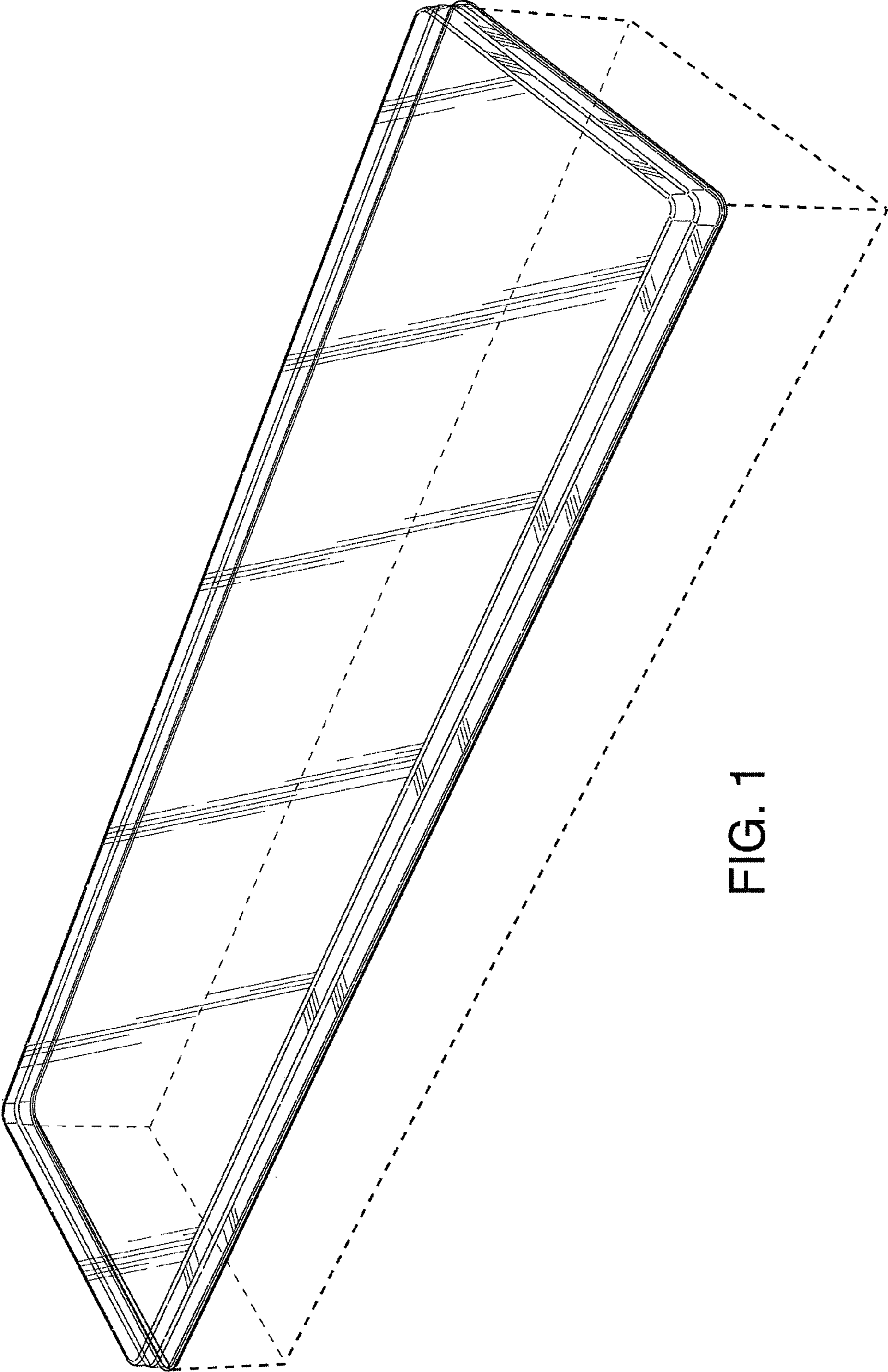


FIG. 1

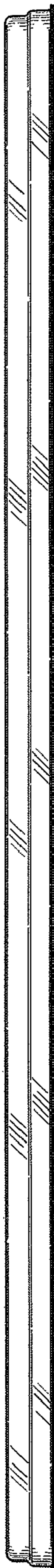


FIG. 2



FIG. 3

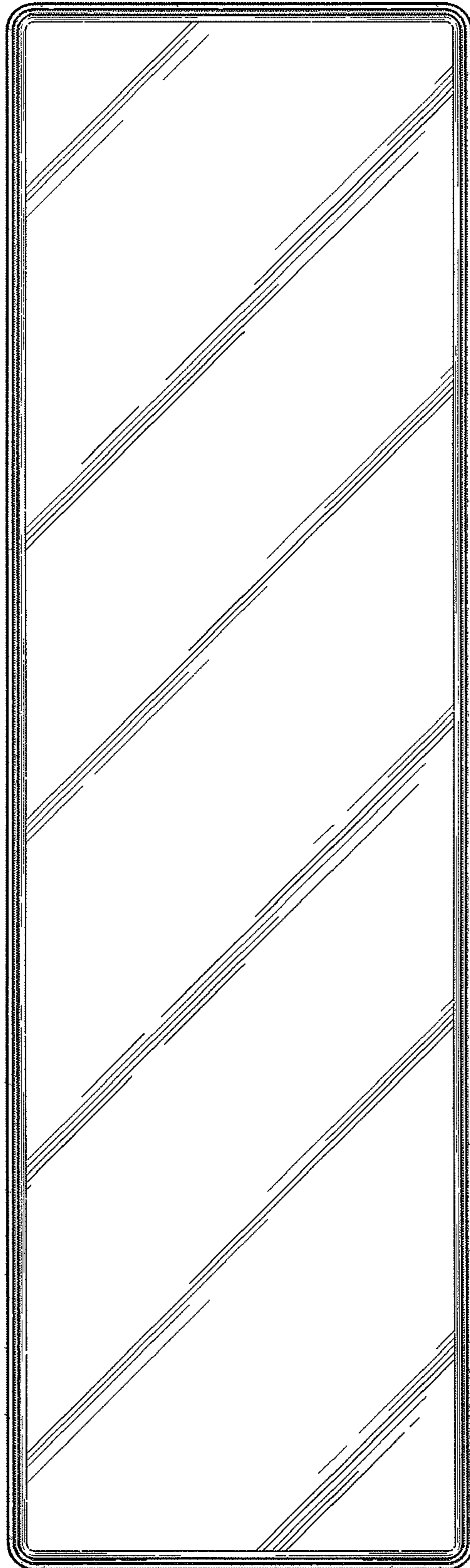


FIG. 4

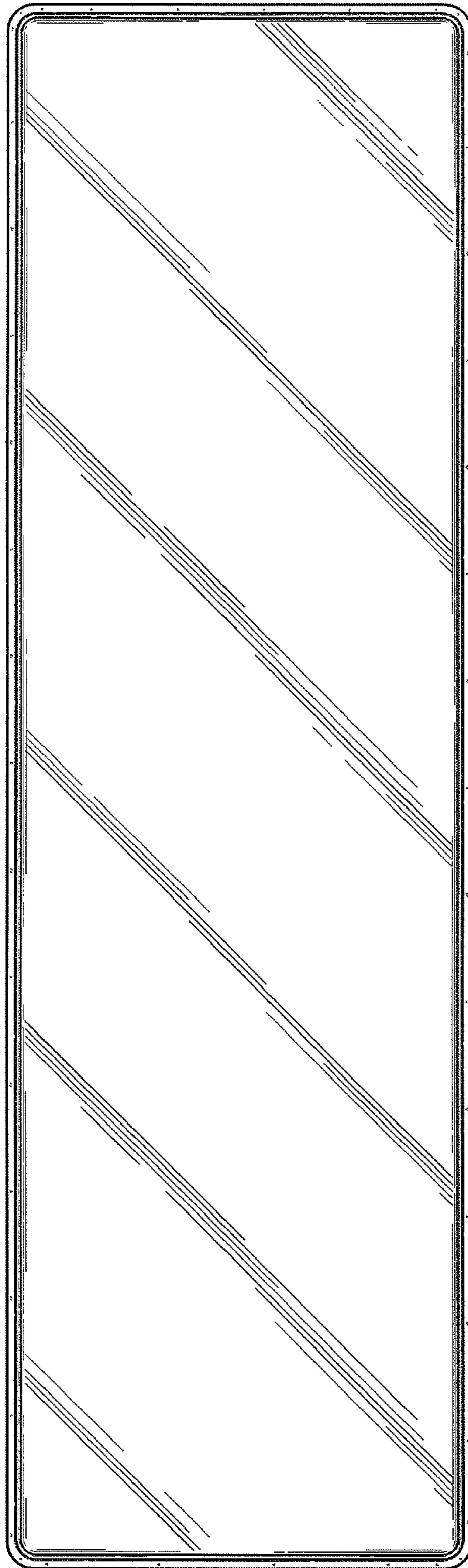


FIG. 5