



US00D659922S

(12) **United States Design Patent**
Krohmer et al.

(10) **Patent No.:** **US D659,922 S**
(45) **Date of Patent:** **** May 15, 2012**

(54) **MODULAR PART FOR CYCLONIC DUST COLLECTOR**

(75) Inventors: **Steve Donald Krohmer**, Coon Rapids, MN (US); **Daniel L. Wenning**, Minneapolis, MN (US)

(73) Assignee: **Rockler Companies, Inc.**, Medina, MN (US)

(**) Term: **14 Years**

(21) Appl. No.: **29/380,422**

(22) Filed: **Dec. 3, 2010**

(51) **LOC (9) Cl.** **15-05**

(52) **U.S. Cl.** **D32/31**

(58) **Field of Classification Search** D32/1, D32/14, 15, 18, 21, 25, 31, 32; D23/200, D23/259, 262, 263, 264, 266; 15/300.1, 15/312.2, 322, 329, 344, 345, 346, 347, 414, 15/415.1, 104.03, 104.04, 104.05, 246, 246.2, 15/350, 353; 16/110.1; 285/7, 38, 179, 179.1, 285/179.2, 181, 182, 183
See application file for complete search history.

(56) **References Cited**

U.S. PATENT DOCUMENTS

137,525	A *	4/1873	Bancroft	285/183
171,964	A *	1/1876	Syversen	285/181
D31,639	S *	10/1899	Eldridge	D23/263
1,179,995	A *	4/1916	Beckwith	126/307 R
D135,634	S *	5/1943	Stark	D23/263
2,374,815	A *	5/1945	Haas, Jr.	138/161
2,385,202	A *	9/1945	Haas, Jr. et al.	138/161
3,825,288	A *	7/1974	Maroschak	285/133.6
D234,463	S *	3/1975	Ahirot	D23/263
4,662,404	A *	5/1987	LeVeen et al.	138/120
D291,481	S *	8/1987	Vassallo et al.	D23/263
D294,413	S *	2/1988	Berfield et al.	D32/31

D294,414	S *	2/1988	Berfield et al.	D32/31
D299,772	S *	2/1989	Smith	D32/31
D300,574	S *	4/1989	Smith	D32/31
D301,177	S *	5/1989	Von Bischoffshausen	D32/31
D314,848	S *	2/1991	Foldes	D32/31
5,056,187	A *	10/1991	Higgins	15/339
D346,248	S *	4/1994	Patterson	D32/31
D384,453	S *	9/1997	Bartz	D32/31
D417,534	S *	12/1999	Holston et al.	D32/31
6,227,578	B1 *	5/2001	Fukui et al.	285/179
D480,787	S *	10/2003	Wilk et al.	D23/263
D481,447	S *	10/2003	Dole et al.	D23/263
D482,103	S *	11/2003	Snyder et al.	D23/263
D488,270	S *	4/2004	Biere et al.	D32/31
D491,326	S *	6/2004	Schroter	D32/31
D502,578	S *	3/2005	Roschi	D32/31
D523,123	S *	6/2006	Wilk et al.	D23/262
D602,662	S *	10/2009	Conner	D32/31
D610,760	S *	2/2010	Zugen et al.	D32/31
D615,631	S *	5/2010	Price et al.	D23/263

* cited by examiner

Primary Examiner — Elizabeth J Oswecki

(74) *Attorney, Agent, or Firm* — Altera Law Group, LLC

(57) **CLAIM**

The ornamental design for a modular parts for cyclonic dust collector, as shown and described.

DESCRIPTION

FIG. 1 is a perspective view of the modular parts for cyclonic dust collector showing our new design.

FIG. 2 is a front view thereof.

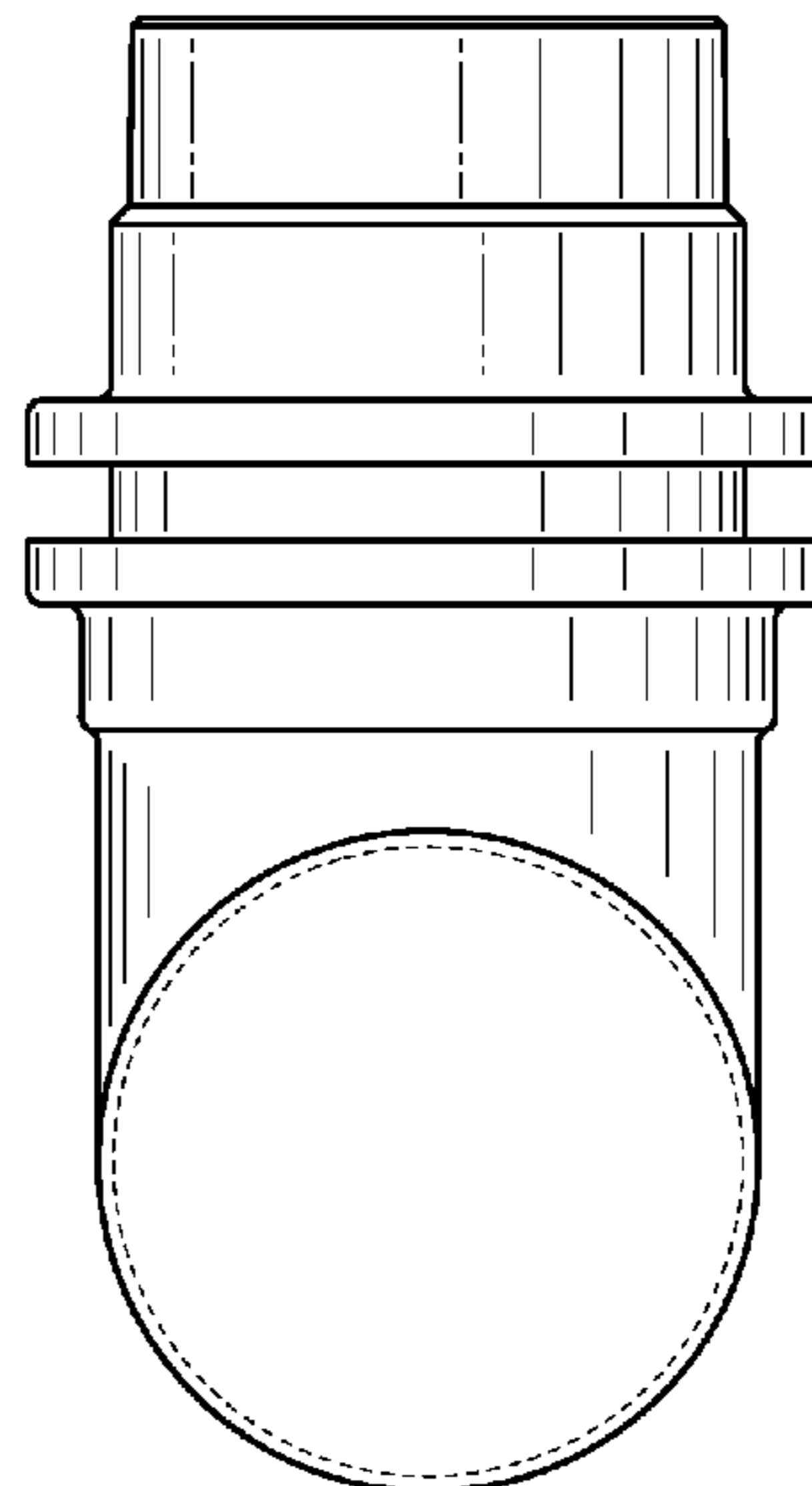
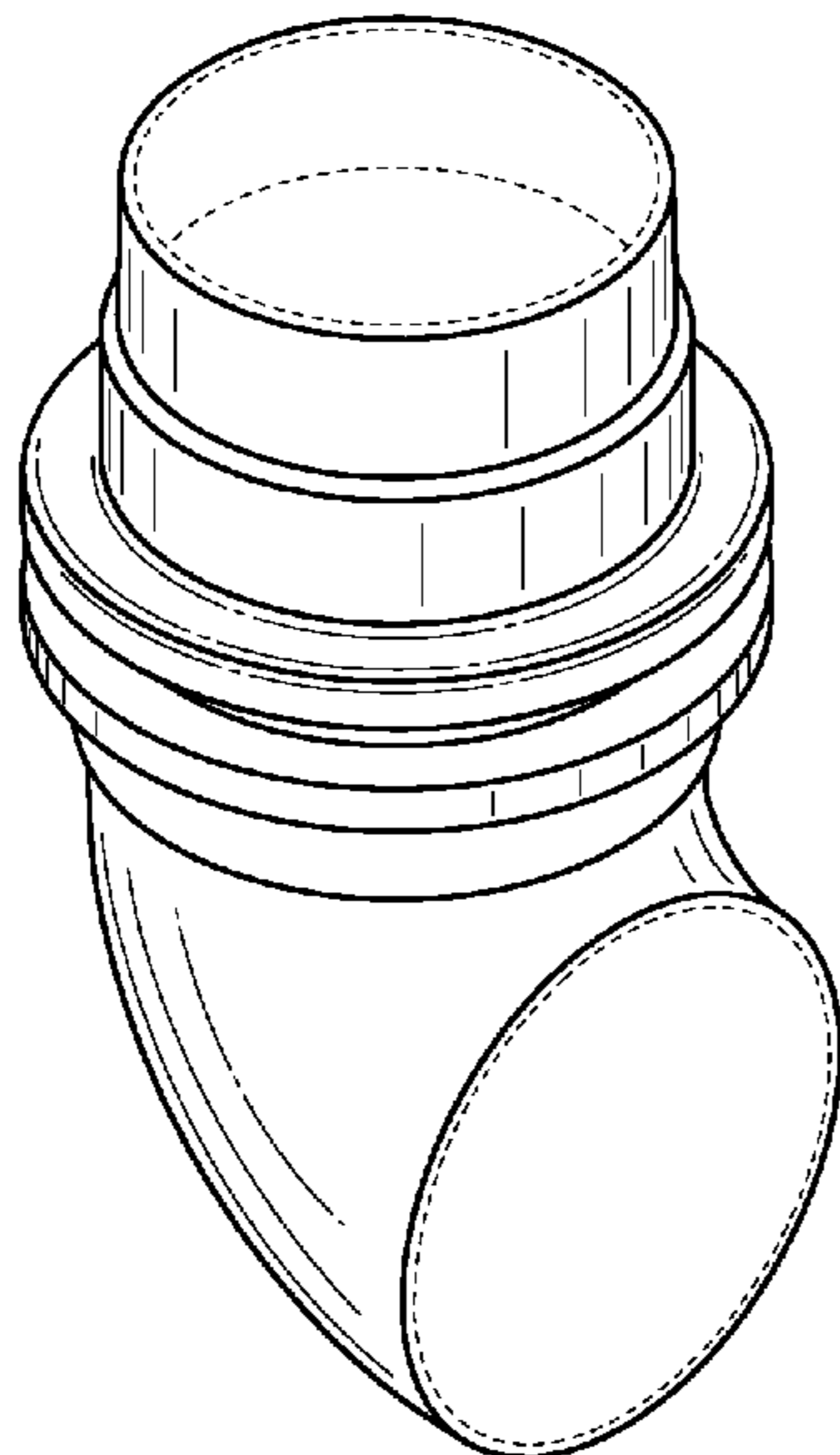
FIG. 3 is a side view thereof.

FIG. 4 is a top view thereof; and,

FIG. 5 is a bottom view thereof.

In the drawings, the broken lines in FIGS. 1, 2 and 4 depict portions of the design that form no part of the claim. Any side not shown form no part of the claimed design.

1 Claim, 2 Drawing Sheets



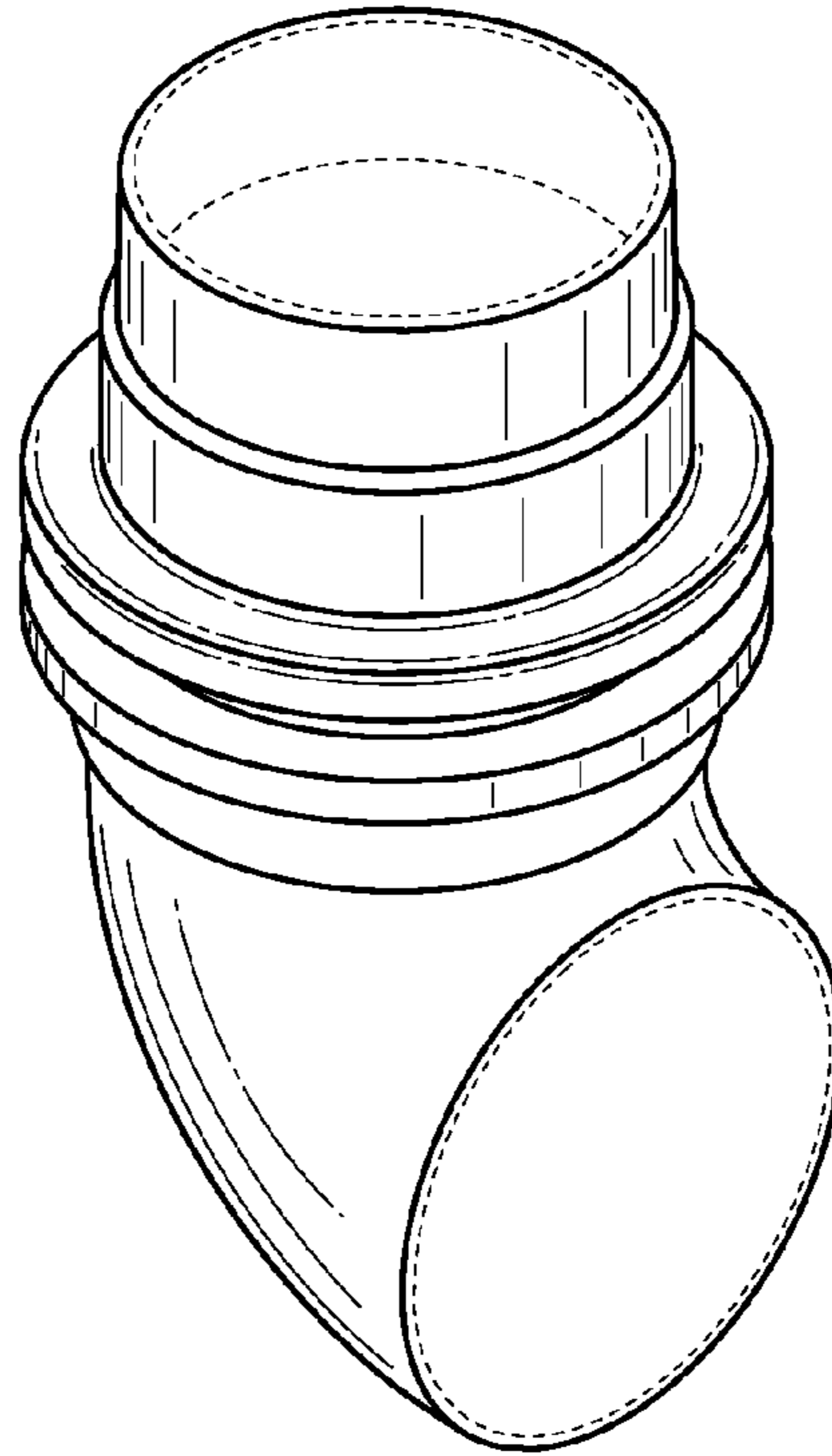


Fig. 1

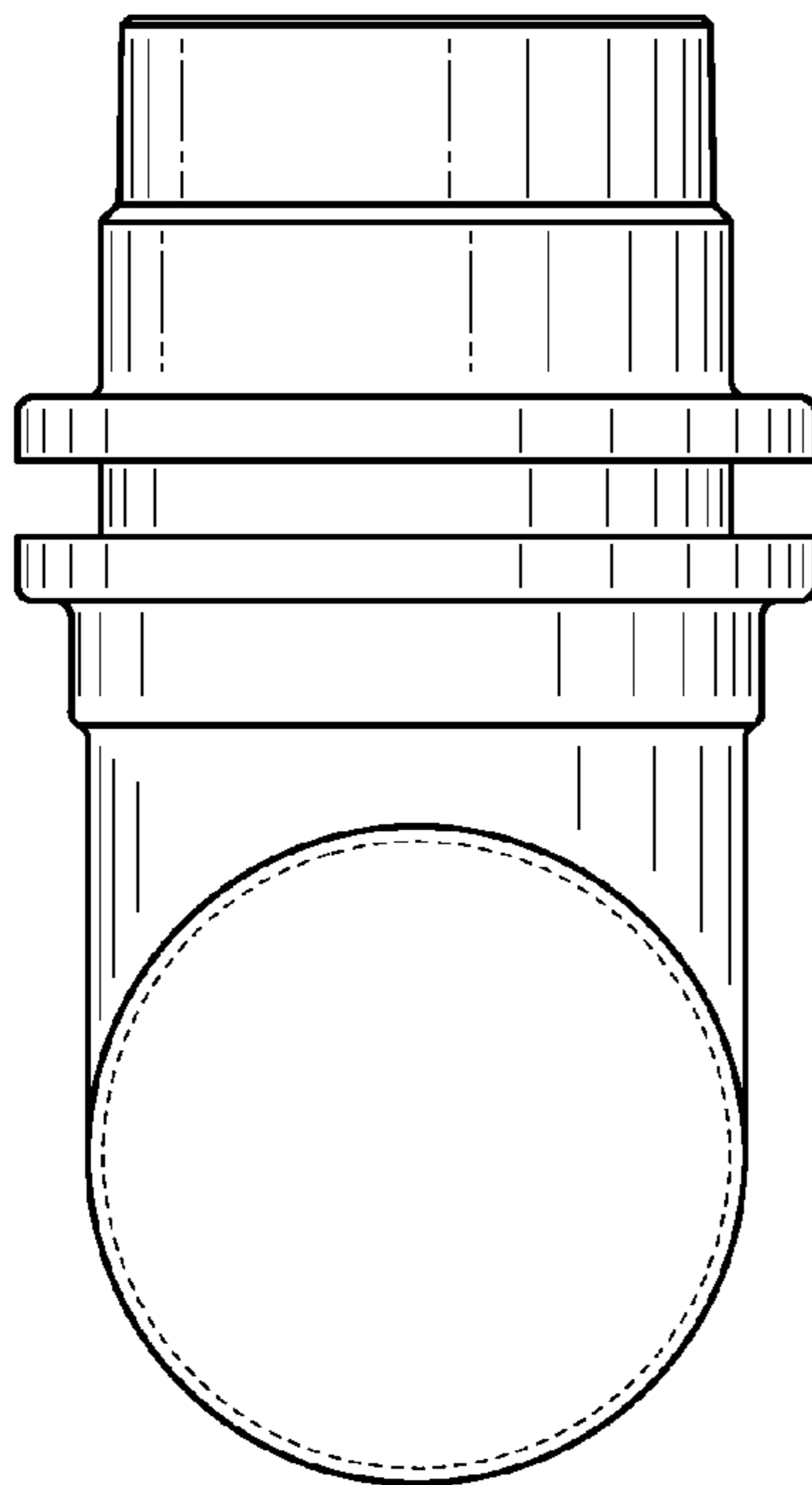


Fig. 2

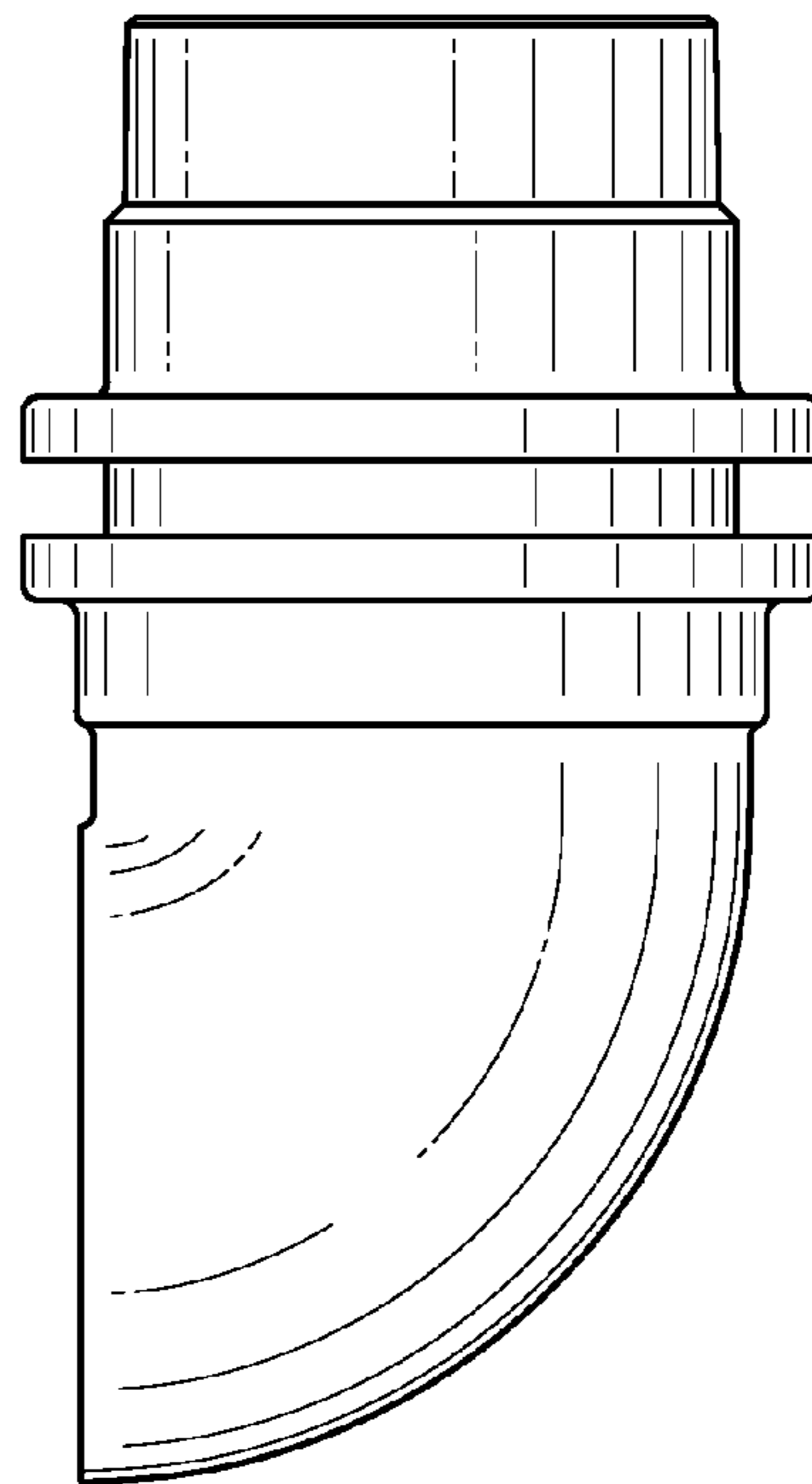


Fig. 3

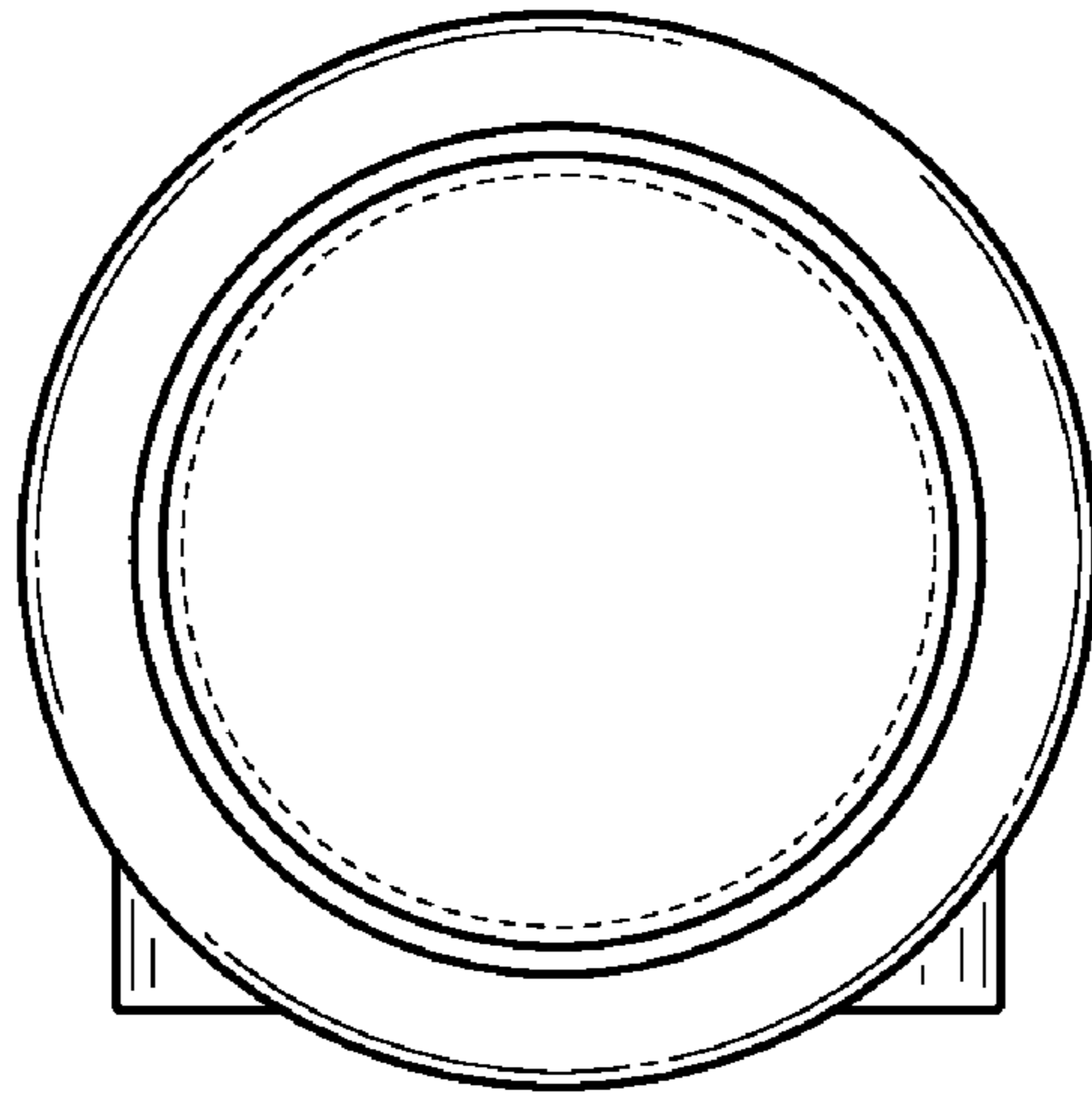


Fig. 4

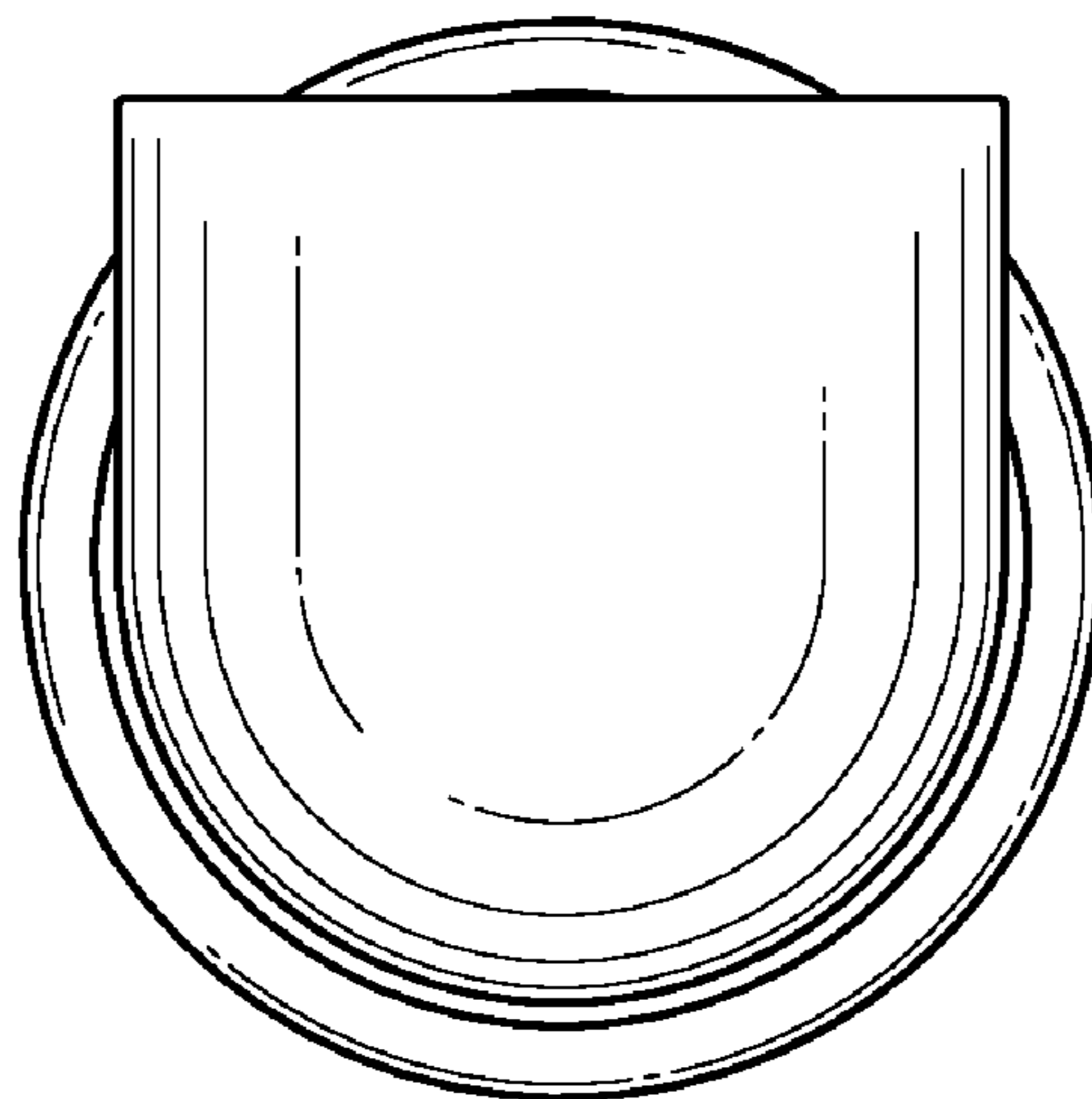


Fig. 5