



US00D659921S

(12) **United States Design Patent**  
**Smith**

(10) **Patent No.:** **US D659,921 S**  
(45) **Date of Patent:** **\*\* May 15, 2012**

(54) **POWER STEAMER HEAD**

(75) Inventor: **Jeffrey Mark Smith**, Elko New Market, MN (US)

(73) Assignee: **Wagner Spray Tech Corporation**, Plymouth, MN (US)

(\*\*) Term: **14 Years**

(21) Appl. No.: **29/355,647**

(22) Filed: **Feb. 11, 2010**

(51) **LOC (9) Cl.** ..... **15-05**

(52) **U.S. Cl.** ..... **D32/25**

(58) **Field of Classification Search** ..... D32/9, D32/17-18, 25; D4/114; 15/320-322, 344; 134/19, 198; 38/77.83, 69; 392/403-405, 392/386; 8/149.3; 141/59; 239/538, 583, 239/526; 68/5 A, 5 R, 222; D23/224-225  
See application file for complete search history.

(56) **References Cited**

U.S. PATENT DOCUMENTS

D418,641	S	*	1/2000	Yuen	.....	D32/17
D436,424	S	*	1/2001	Buzzi	.....	D32/17
D451,653	S	*	12/2001	Berreth et al.	.....	D32/17
6,536,379	B1	*	3/2003	Liu	.....	122/379
D473,025	S	*	4/2003	Simmons	.....	D32/17
D475,490	S	*	6/2003	Choi	.....	D32/17
D499,517	S	*	12/2004	Chen	.....	D32/17
D505,526	S	*	5/2005	Tsen	.....	
D516,759	S	*	3/2006	Lam	.....	D32/17
D523,597	S	*	6/2006	Lee	.....	D32/17
D525,399	S	*	7/2006	Alday Lesaga	.....	D32/17
D542,488	S	*	5/2007	Lee	.....	D32/17
D623,365	S	*	9/2010	Ediger et al.	.....	D32/17
D623,366	S	*	9/2010	Ediger et al.	.....	D32/17
D625,058	S	*	10/2010	Kovach et al.	.....	D32/14

D627,940	S	*	11/2010	Smith	.....	D32/17
2003/0033687	A1	*	2/2003	Tsen	.....	15/322
2003/0142965	A1	*	7/2003	Tsen	.....	392/397
2003/0208872	A1	*	11/2003	Tsen	.....	15/321

OTHER PUBLICATIONS

Model 905 Power Steamer, Owners Manual, dated Sep. 2008, 20 pages.

Vacuum Cleaner, BZ-988—Boze Electric Appliance Manufacture Co., Ltd (accessed at [www.tradeeasy.com/supplier/220609/products/p976123/vacuum-cleaner.html](http://www.tradeeasy.com/supplier/220609/products/p976123/vacuum-cleaner.html) on May 24, 2010).

Tradekey, Boze Electric Appliance Manufacture Co., Ltd., dated Sep. 1, 2008.

\* cited by examiner

*Primary Examiner* — Elizabeth J Oswecki

(74) *Attorney, Agent, or Firm* — Westman, Champlin & Kelly, P.A.

(57) **CLAIM**

The ornamental design for a power steamer head, as shown and described.

**DESCRIPTION**

FIG. 1 is a perspective view of the power steamer head showing my new design.

FIG. 2 is a right side view of the power steamer head.

FIG. 3 is a left side view of the power steamer head.

FIG. 4 is a front view of the power steamer head.

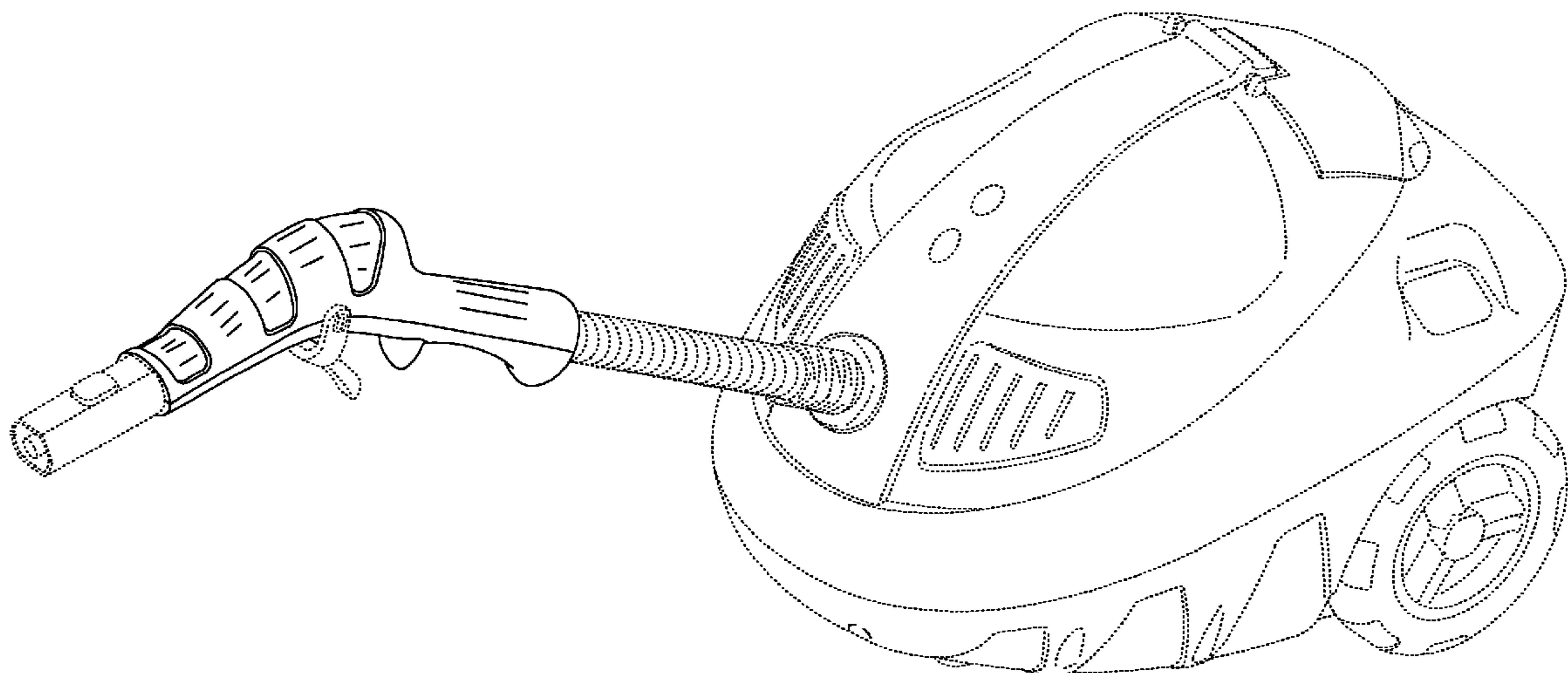
FIG. 5 is a back view of the power steamer head.

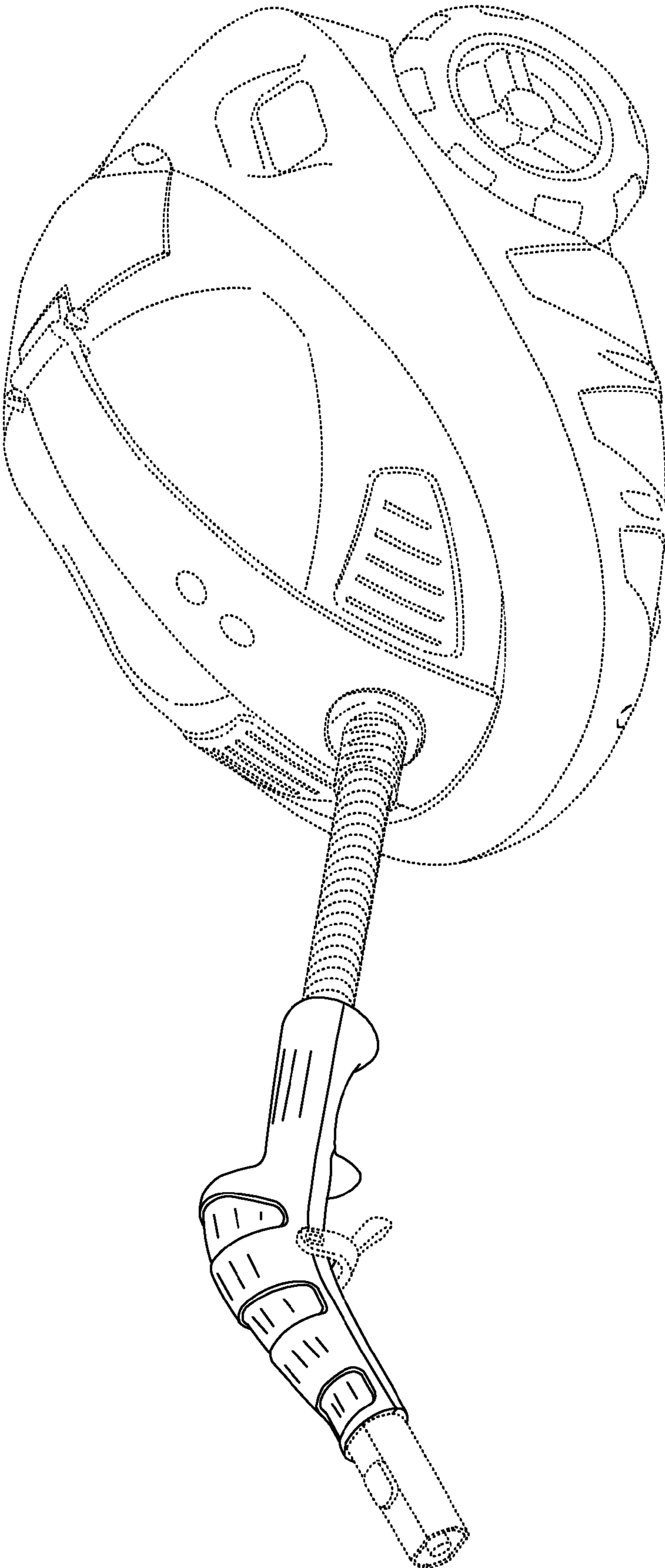
FIG. 6 is a top view of the power steamer head; and,

FIG. 7 is a bottom view of the power steamer head.

Features illustrated with dashed lines are not considered features of the invention being claimed, but rather illustrate an exemplary environment for the claimed features illustrated with solid lines.

**1 Claim, 6 Drawing Sheets**





*FIG. 1*

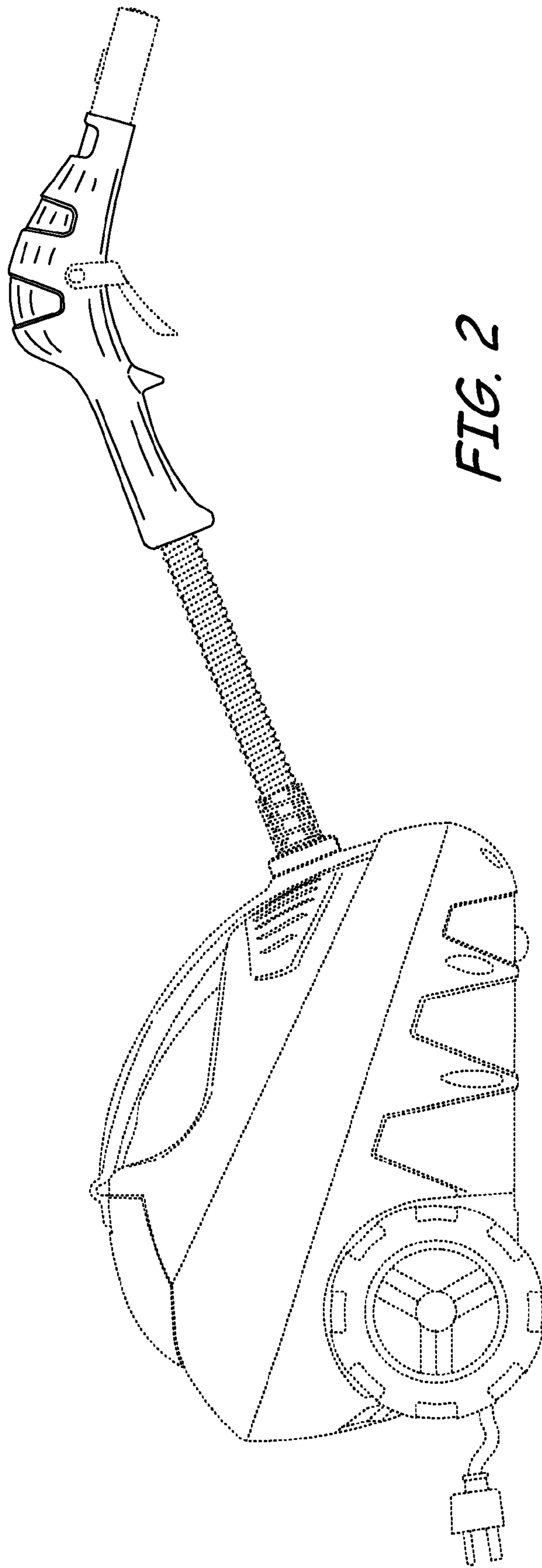


FIG. 2

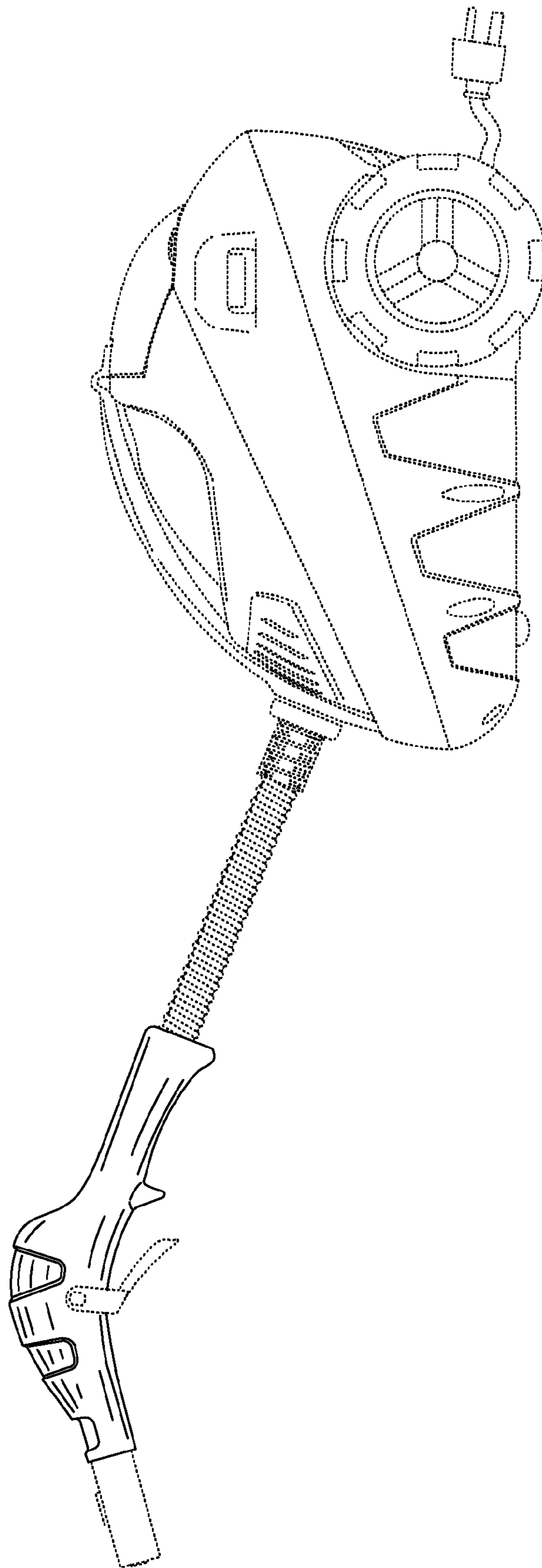
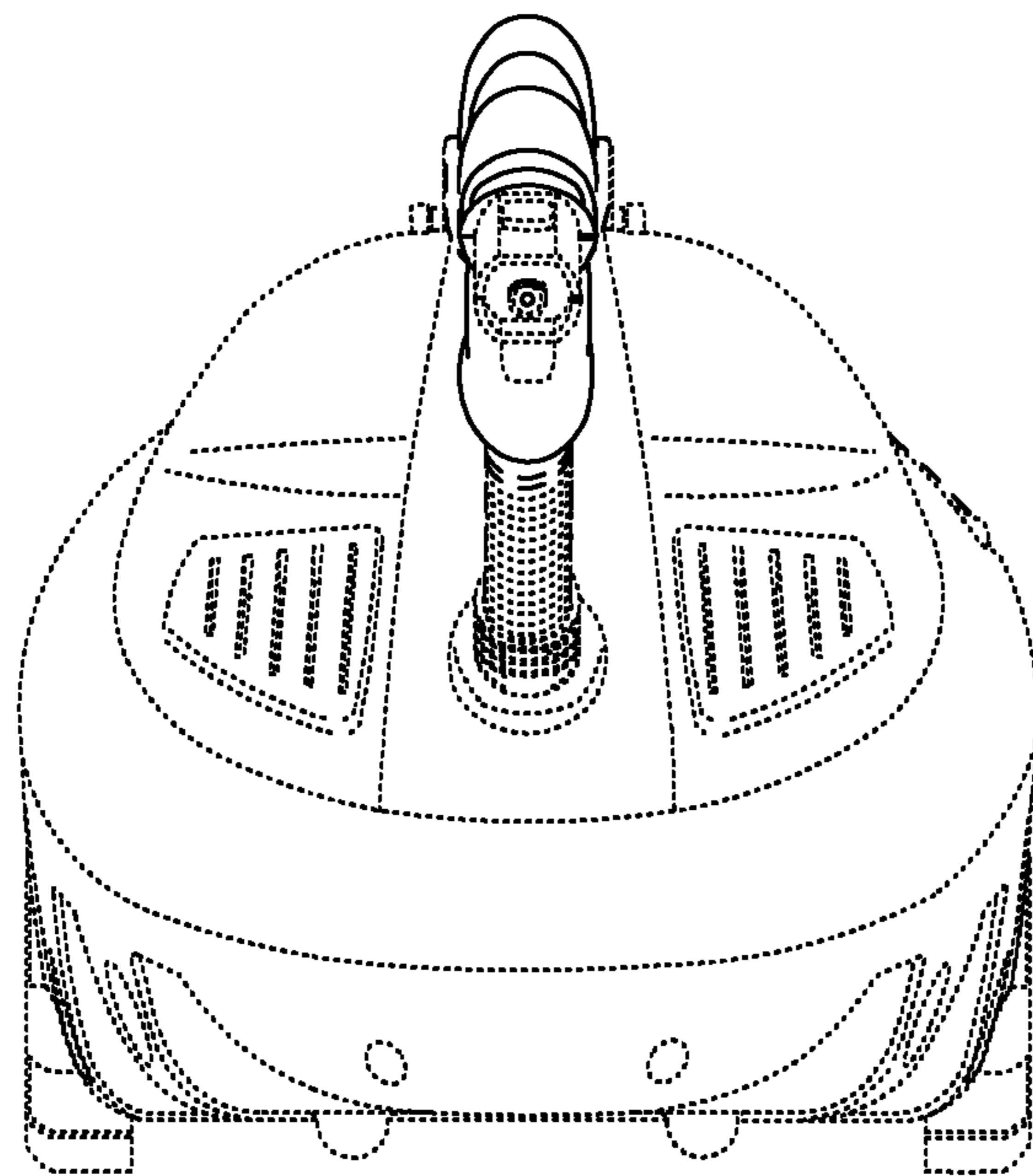
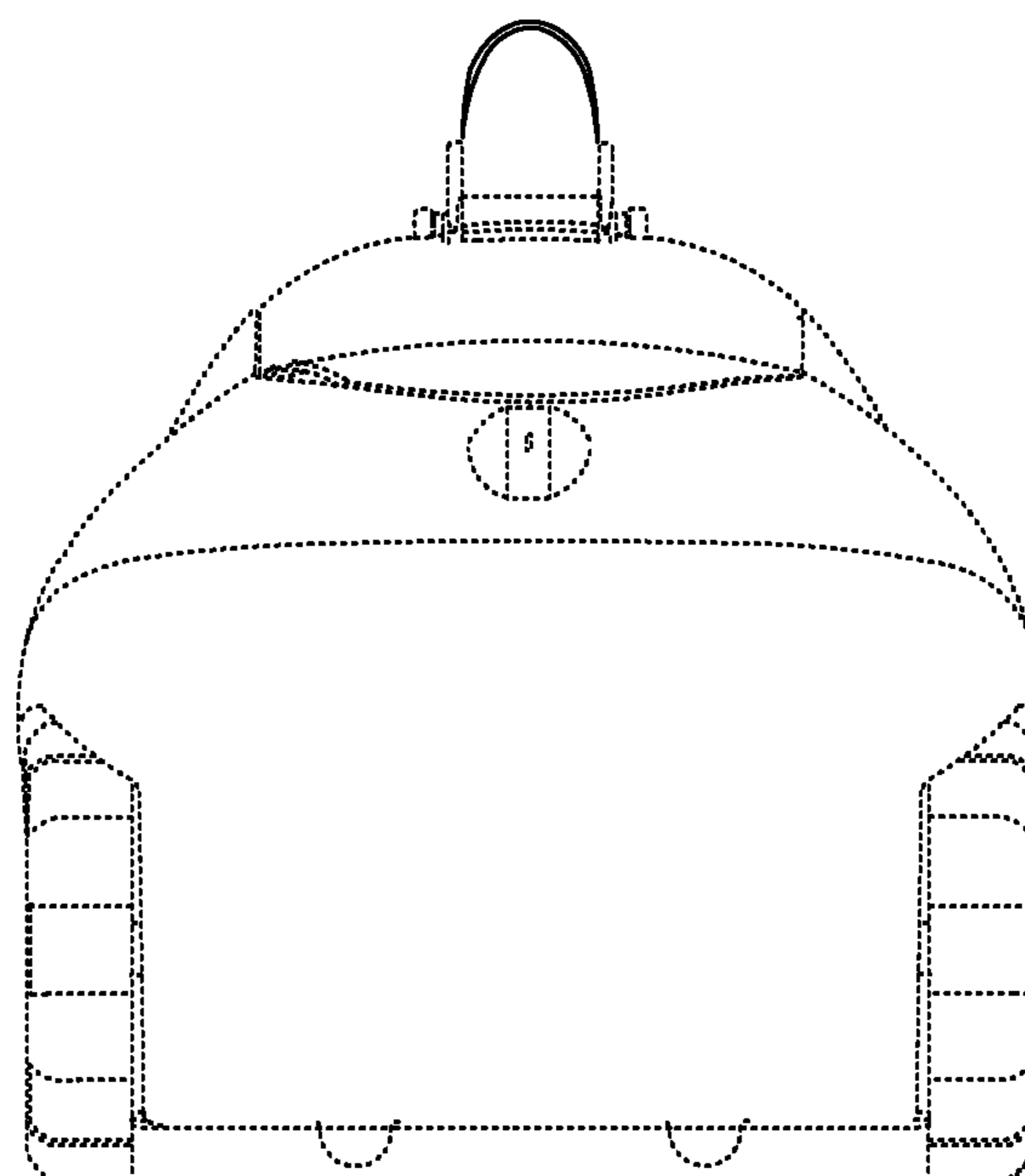


FIG. 3



*FIG. 4*



*FIG. 5*

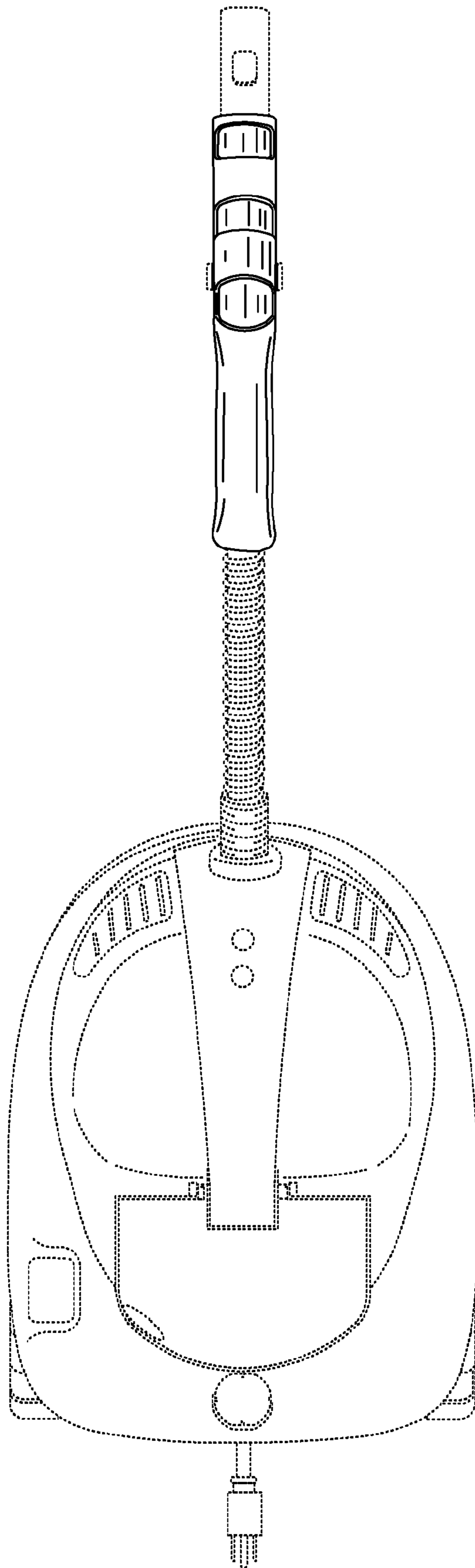


FIG. 6

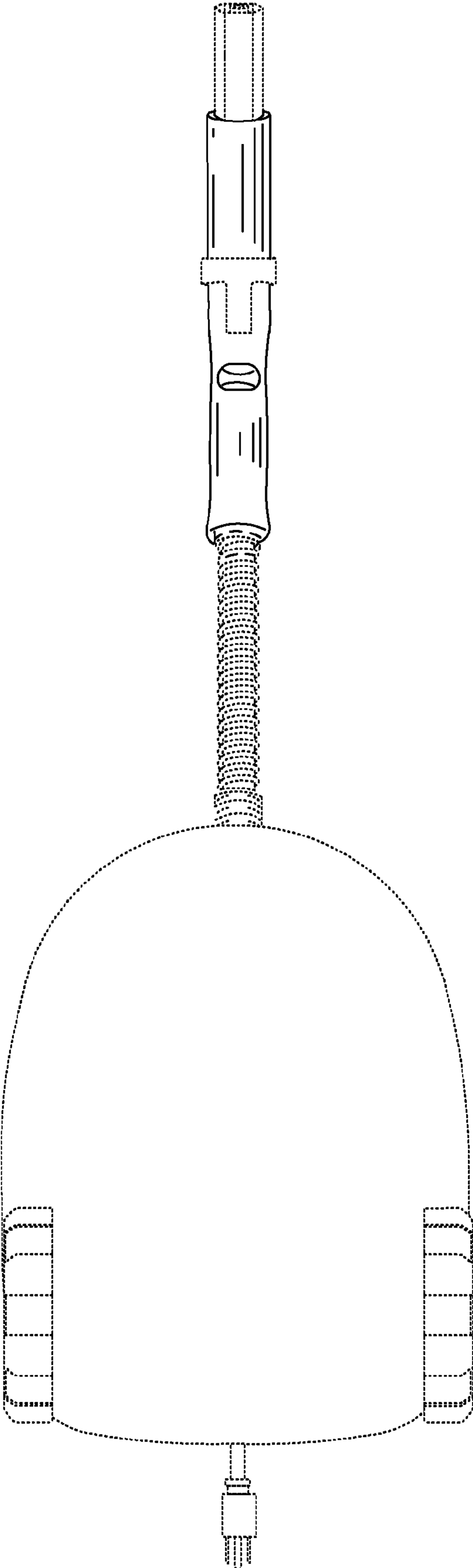


FIG. 7