



US00D659920S

(12) **United States Design Patent**
Lee et al.

(10) **Patent No.:** **US D659,920 S**
(45) **Date of Patent:** **** May 15, 2012**

(54) **VACUUM CLEANER**

(75) Inventors: **Dong Kyu Lee**, Kyungki-do (KR); **Min Hyoug Boo**, Seoul (KR)

(73) Assignee: **Samsung Electronics Co., Ltd.**, Suwon-Si (KR)

(**) Term: **14 Years**

(21) Appl. No.: **29/376,307**

(22) Filed: **Oct. 5, 2010**

(51) **LOC (9) Cl.** **15-05**

(52) **U.S. Cl.** **D32/21**

(58) **Field of Classification Search** D32/21,
D32/31; 701/25, 23, 200; 15/319, 307, 347,
15/4, 340.11, 46; 901/1, 46; 700/25; 318/568.12,
318/568.16

See application file for complete search history.

(56) **References Cited**

U.S. PATENT DOCUMENTS

D527,854 S * 9/2006 Marzynski D32/21
D548,902 S * 8/2007 Chun et al. D32/21
D548,903 S * 8/2007 Chun et al. D32/21

D556,961 S * 12/2007 Swyst et al. D32/21
D586,959 S * 2/2009 Geringer et al. D32/21
D596,815 S * 7/2009 Baek D32/21
7,861,366 B2 * 1/2011 Hahm et al. 15/319
2007/0244610 A1 * 10/2007 Ozick et al. 701/23
2008/0235897 A1 * 10/2008 Kim et al. 15/319
2008/0282494 A1 * 11/2008 Won et al. 15/319
2011/0010873 A1 * 1/2011 Kim et al. 15/4

* cited by examiner

Primary Examiner — Ruth McInroy

(74) *Attorney, Agent, or Firm* — Ladas & Parry LLP

(57) **CLAIM**

We claim the ornamental design for a vacuum cleaner, as shown and described.

DESCRIPTION

FIG. 1 is a top, front and right-side perspective view of a vacuum cleaner showing our new design; FIG. 2 is a front elevational view thereof; FIG. 3 is a rear elevational view thereof; FIG. 4 is a left side elevational view thereof; FIG. 5 is a right side elevational view thereof; and, FIG. 6 is a top plan view thereof.

1 Claim, 4 Drawing Sheets

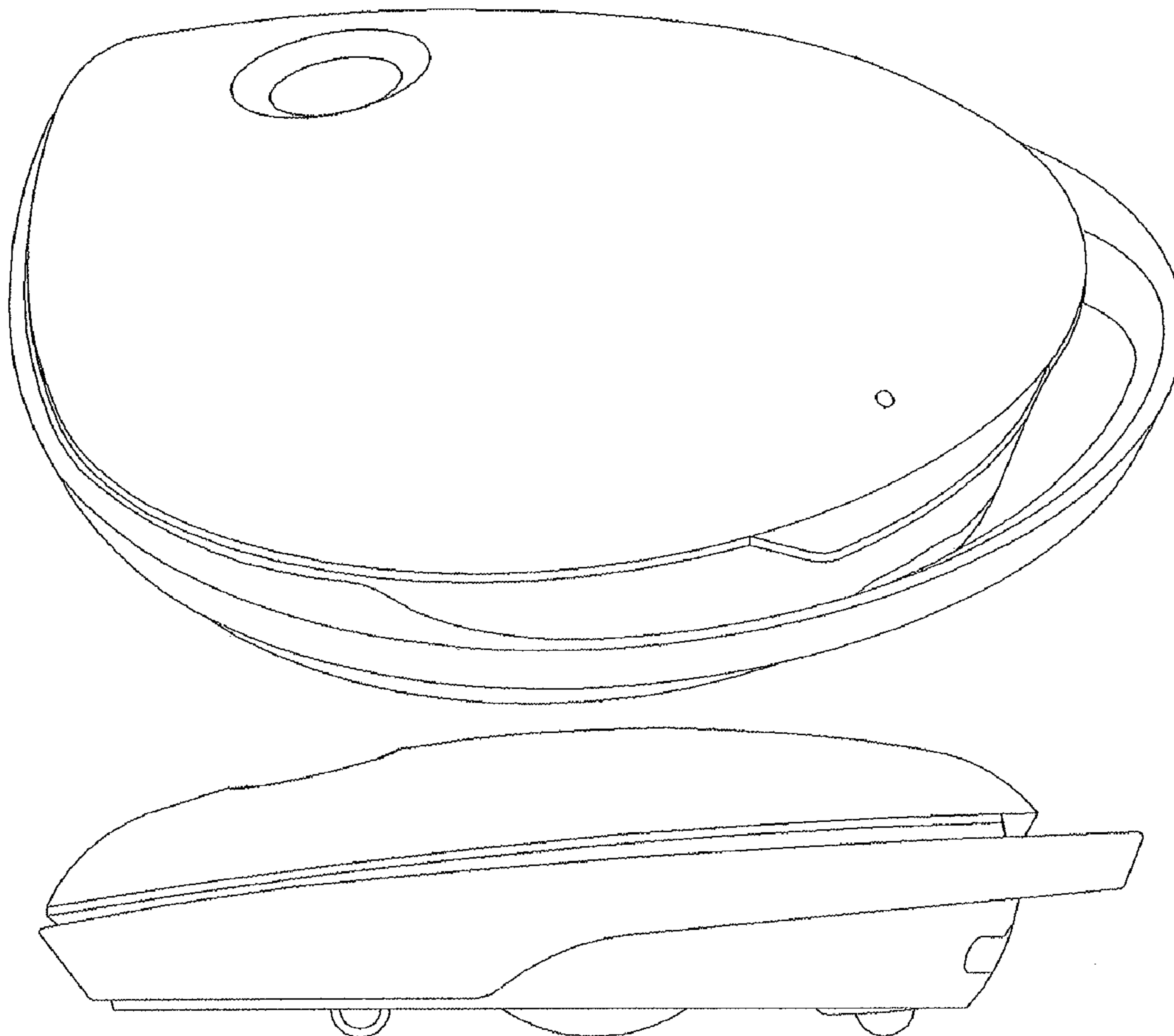


FIG. 1

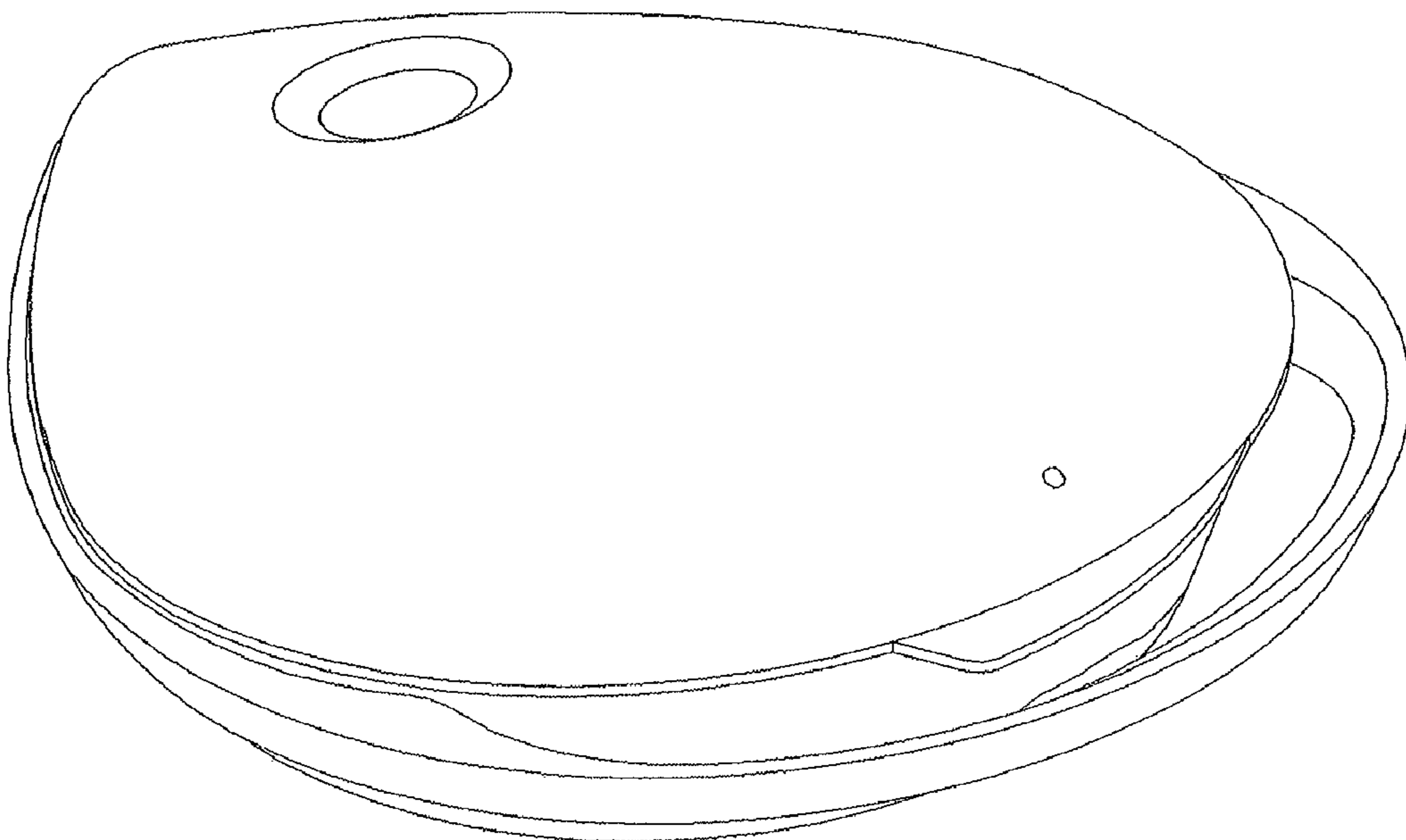


FIG. 2

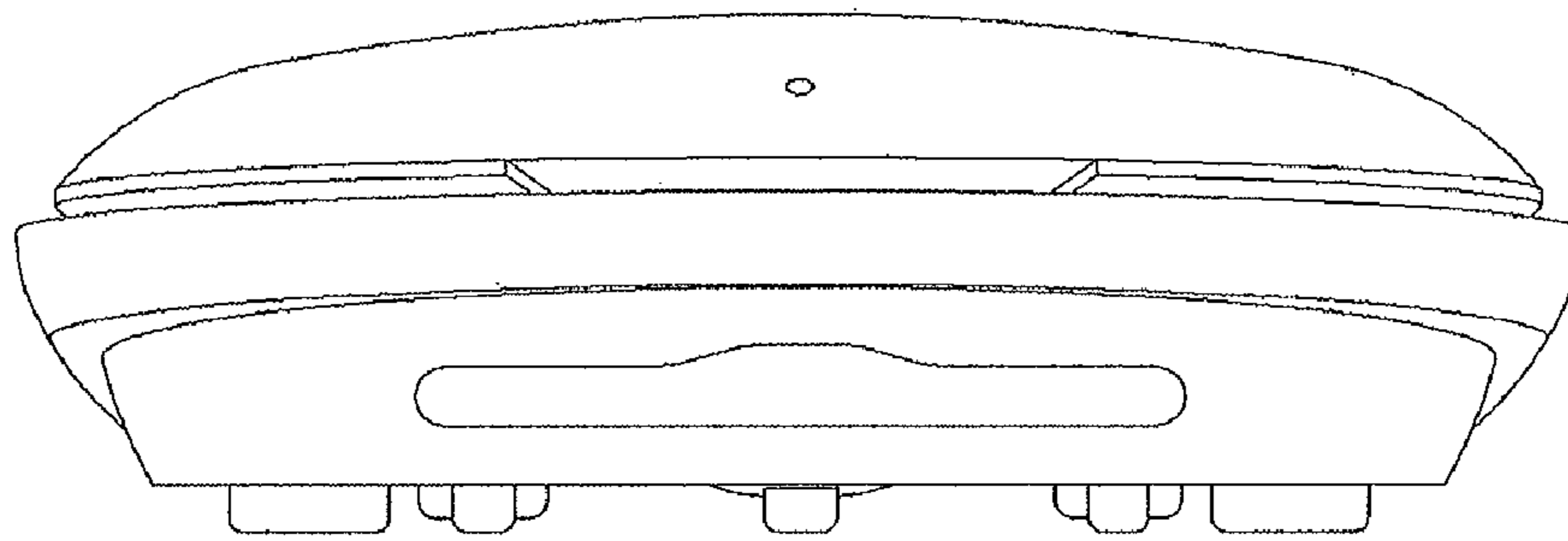


FIG. 3

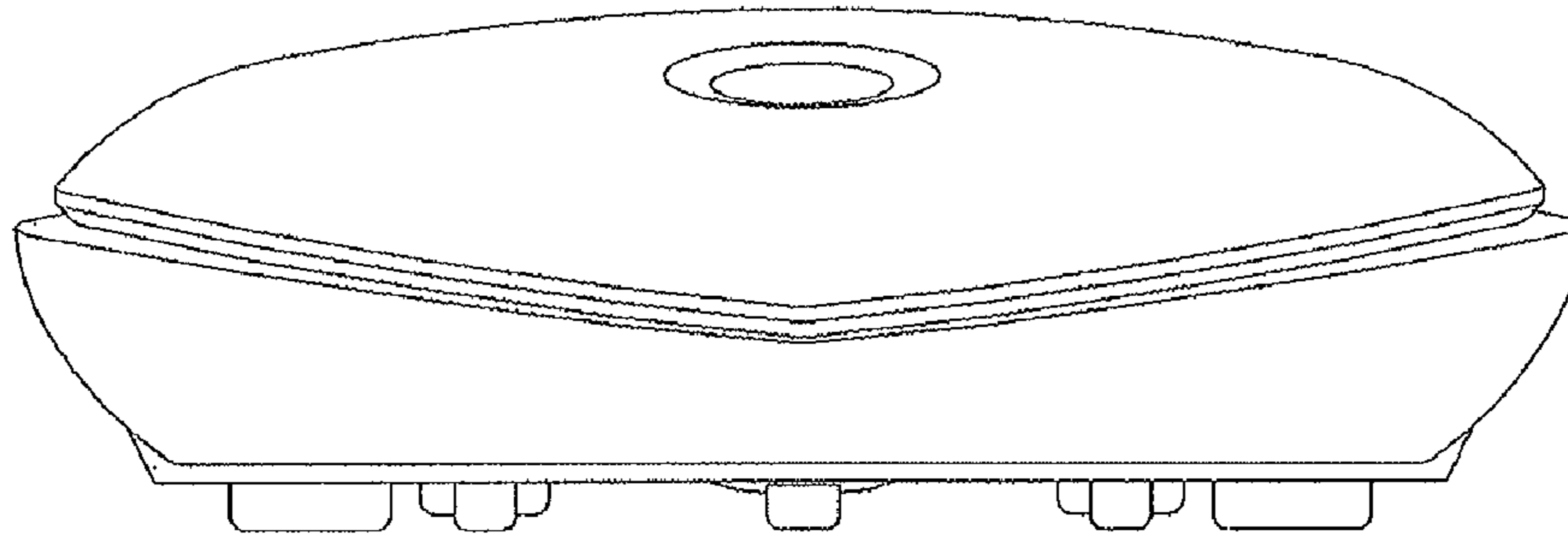


FIG. 4

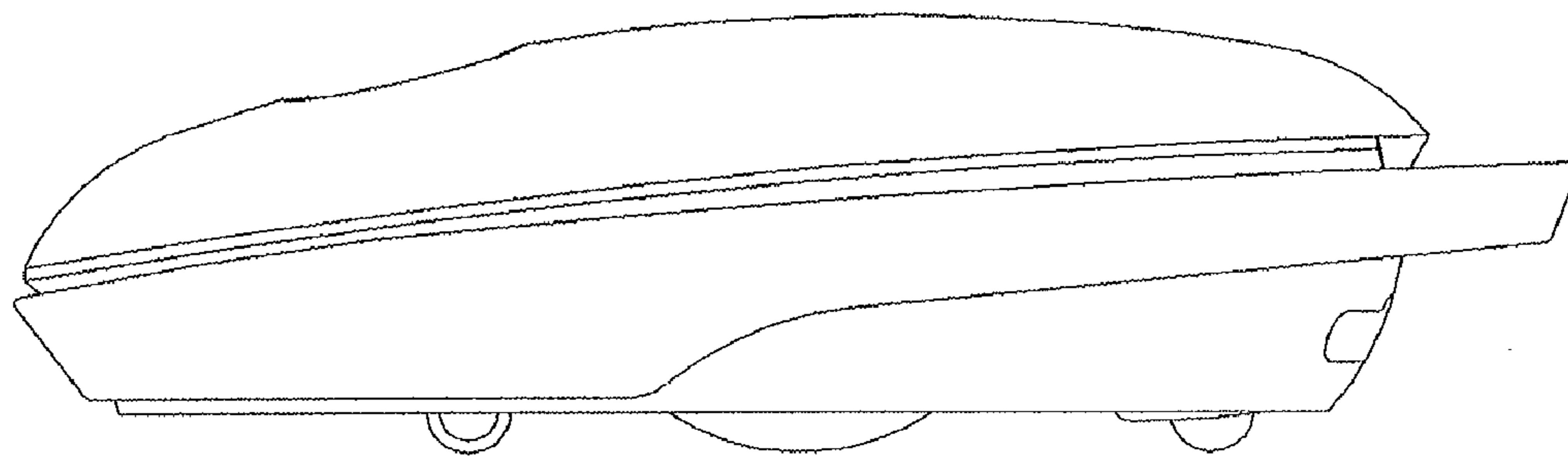


FIG. 5

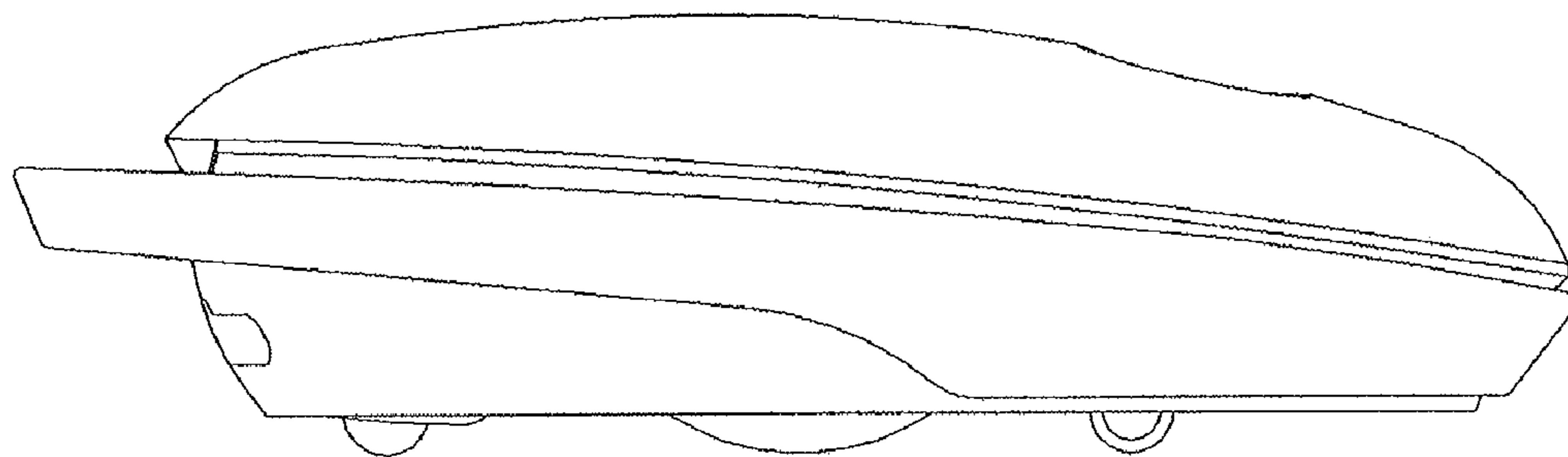


FIG. 6

