



US00D659919S

(12) **United States Design Patent**
Lin

(10) **Patent No.:** **US D659,919 S**
(45) **Date of Patent:** **** May 15, 2012**

(54) **GARMENT STEAMER**

(75) Inventor: **Chih-Chien Lin**, Kaohsiung (TW)

(73) Assignee: **Tsann Kuen (Zhangzhou) Enterprise Co., Ltd.**, Zhangzhou (CN)

(**) Term: **14 Years**

(21) Appl. No.: **29/367,180**

(22) Filed: **Aug. 4, 2010**

(30) **Foreign Application Priority Data**

Feb. 4, 2010 (CN) 2010 3 0303051

(51) **LOC (9) Cl.** **15-05**

(52) **U.S. Cl.** **D32/17**

(58) **Field of Classification Search** D32/1,
D32/6, 9, 15, 17, 18, 19; D4/114; D23/213,
D23/223, 224, 225; 15/300.1, 320, 321,
15/322, 344; 134/19, 198; 38/69, 70, 74,
38/75, 77.1, 77.5, 77.7, 77.83; 392/386,
392/394, 403, 404, 405, 406; 8/147, 149.2,
8/149.3; 141/59; 239/537, 538, 583, 584,
239/525, 526; 68/5 A, 5 R, 3 R, 213, 222;
223/51, 73

See application file for complete search history.

(56) **References Cited**

U.S. PATENT DOCUMENTS

D399,617 S *	10/1998	Fujita	D32/21
D417,046 S *	11/1999	Tsuruha et al.	D32/21
D430,711 S *	9/2000	Piret	D32/21
D445,973 S *	7/2001	Chen	D32/21
D452,594 S *	12/2001	Rosa	D32/21
6,397,502 B1 *	6/2002	Chen	38/77.8
6,533,871 B2 *	3/2003	Zahuranec et al.	134/21
D473,025 S *	4/2003	Simmons	D32/17
D489,499 S *	5/2004	Buzzi	D32/17
D493,586 S *	7/2004	Choi	D32/21

D499,517 S *	12/2004	Chen	D32/17
6,968,593 B1 *	11/2005	Lenkiewicz et al.	15/320
D519,249 S *	4/2006	Liu et al.	D32/21
D520,196 S *	5/2006	Liu	D32/21
D522,192 S *	5/2006	Liu et al.	D32/21
D523,597 S *	6/2006	Lee	D32/15
D530,468 S *	10/2006	Lee	D32/21
D530,869 S *	10/2006	Chen	D32/21
D531,768 S *	11/2006	Lee	D32/21
D537,215 S *	2/2007	Foersterling	D32/9
D552,810 S *	10/2007	Shin	D32/21
D553,811 S *	10/2007	Shin	D32/21
D569,062 S *	5/2008	Nardone et al.	D32/21
7,421,759 B2 *	9/2008	Michael et al.	15/320
D580,608 S *	11/2008	Santiago et al.	D32/21
D599,511 S *	9/2009	Massip et al.	D32/17
D623,365 S *	9/2010	Ediger et al.	D32/17
D623,366 S *	9/2010	Ediger et al.	D32/17
D627,940 S *	11/2010	Smith	D32/17
2002/0178532 A1 *	12/2002	Amoretti	15/327.2
2003/0208872 A1 *	11/2003	Tsen	15/321
2004/0144140 A1 *	7/2004	Lee	68/222

* cited by examiner

Primary Examiner — Elizabeth J Oswecki

(74) *Attorney, Agent, or Firm* — Rabin & Berdo, P.C.

(57) **CLAIM**

The ornamental design for a garment steamer, as shown and described.

DESCRIPTION

FIG. 1 is a front view of a garment steamer, showing my new design;

FIG. 2 is a rear view thereof;

FIG. 3 is a left side view thereof;

FIG. 4 is a right side view thereof;

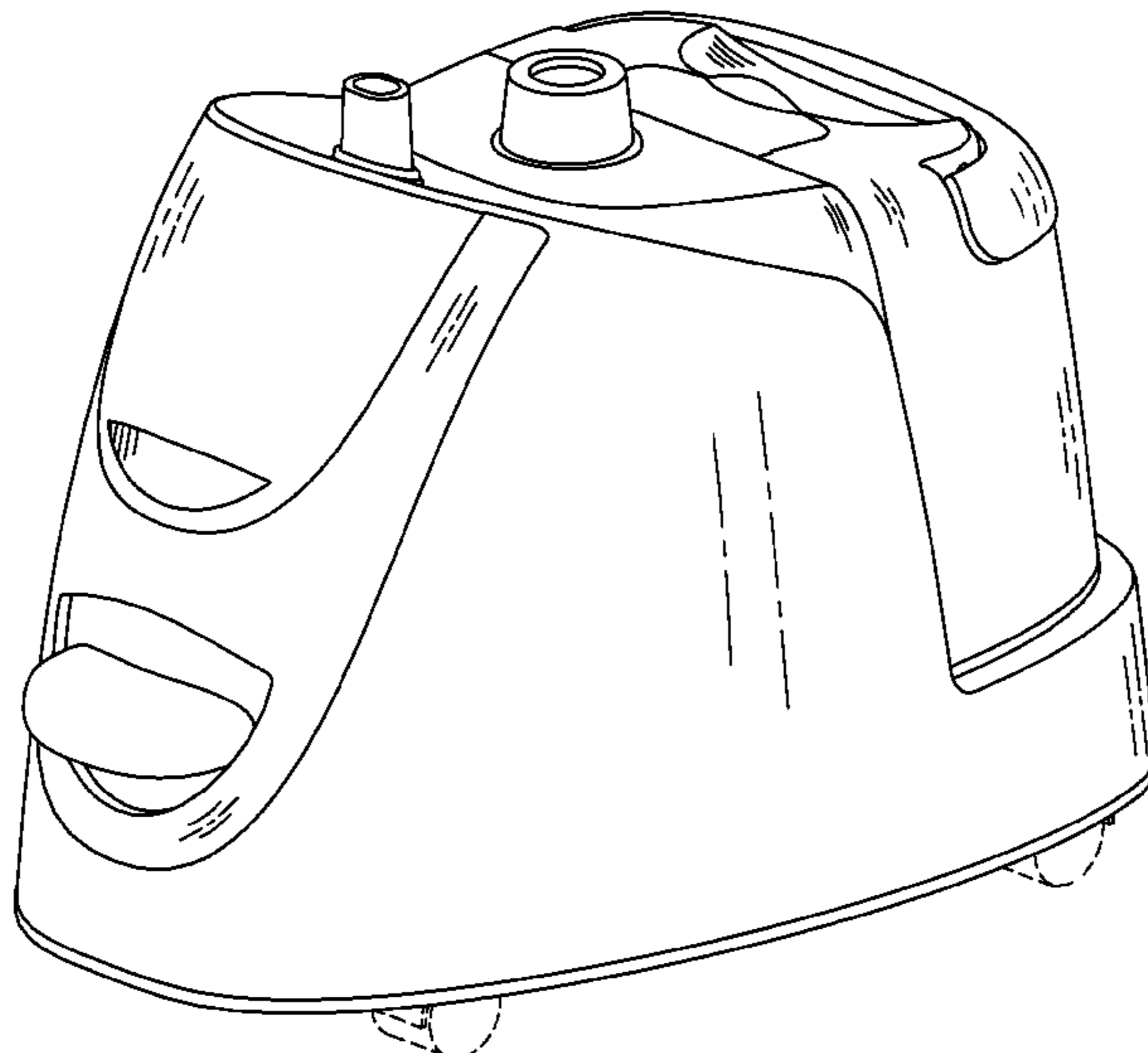
FIG. 5 is a top plan view thereof;

FIG. 6 is a bottom plan view thereof; and,

FIG. 7 is a perspective view thereof.

In the drawings, the broken lines in FIGS. 1-7, depict portions of the design that form no part of the claim.

1 Claim, 7 Drawing Sheets



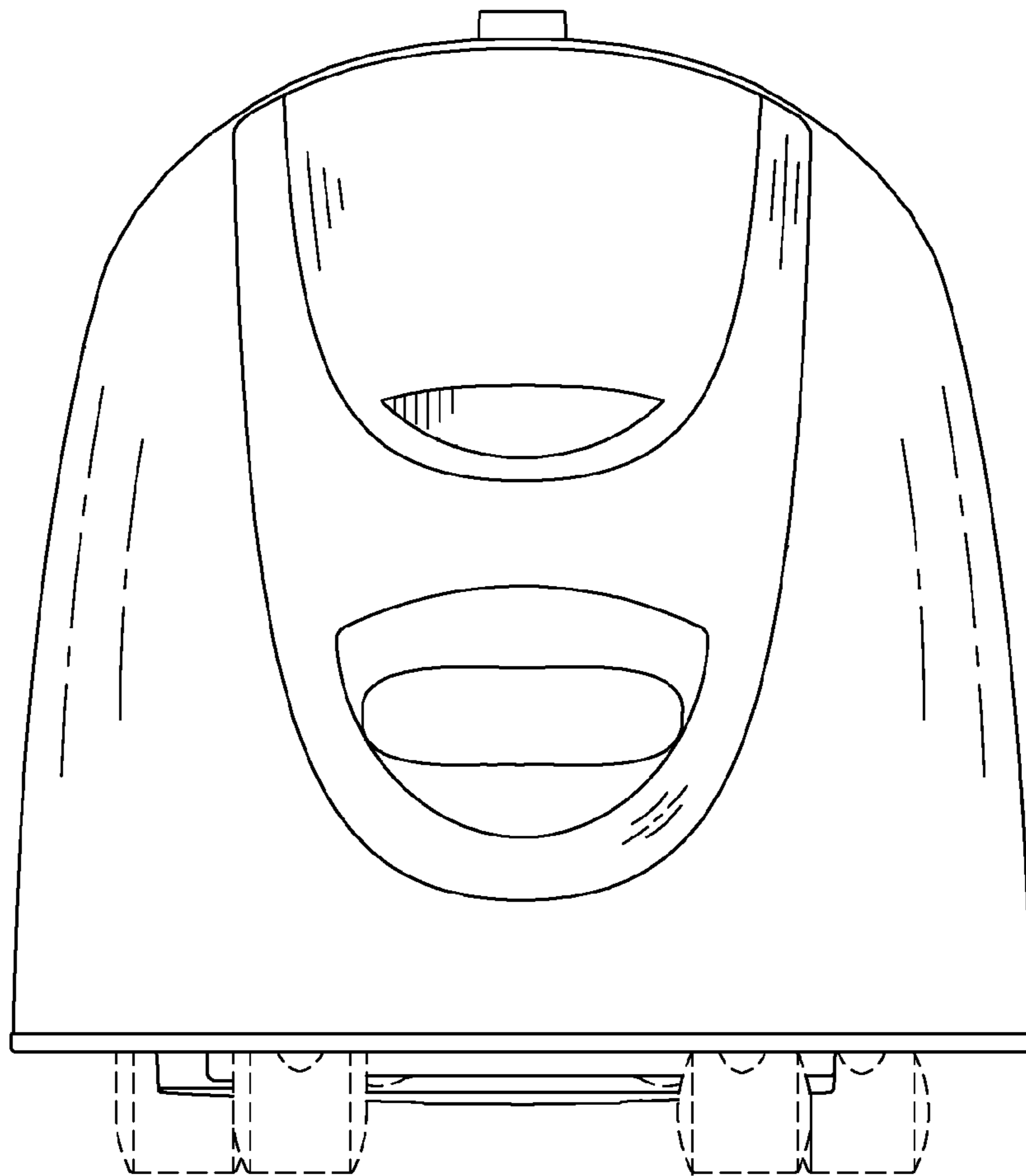


FIG. 1

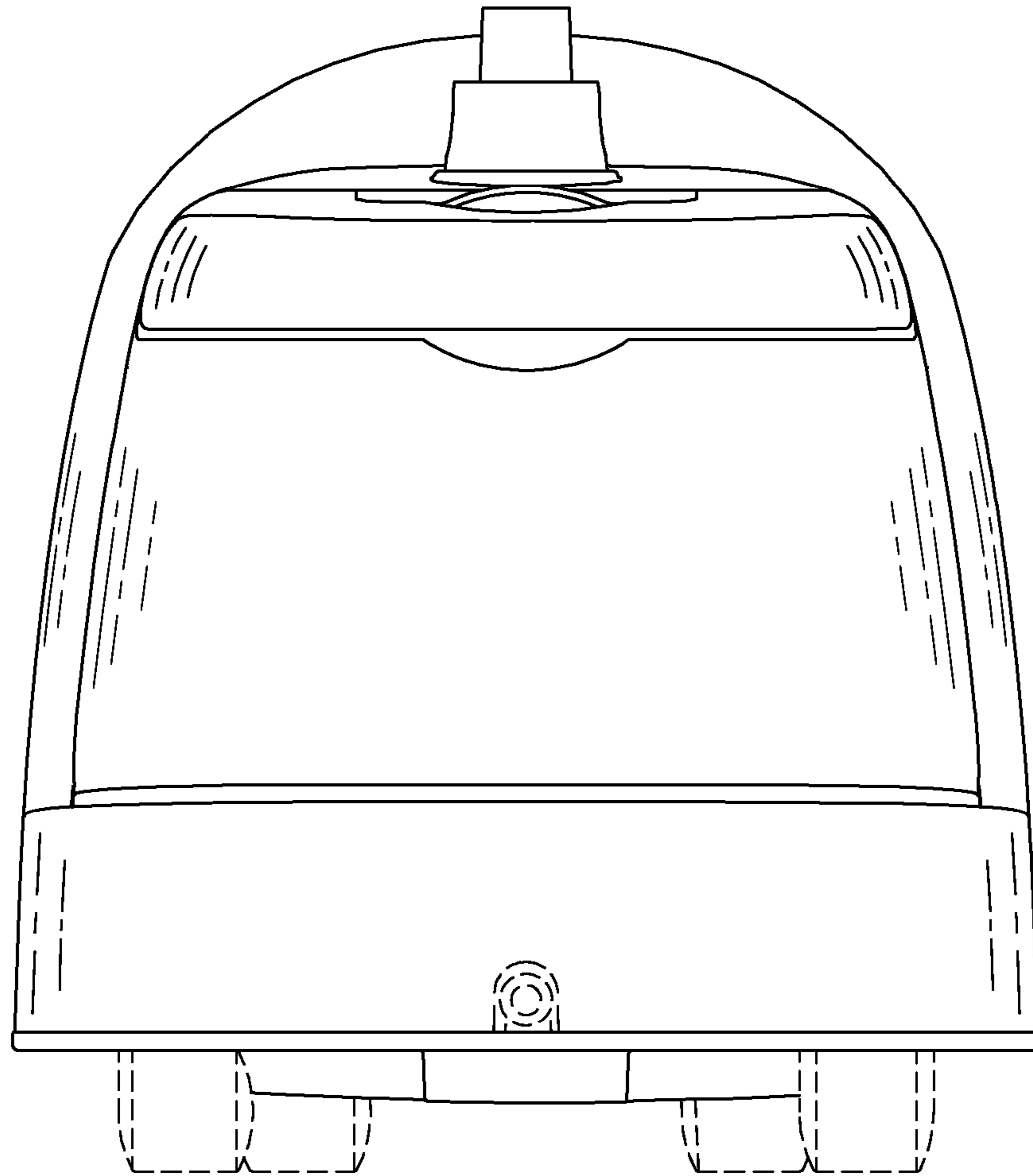


FIG. 2

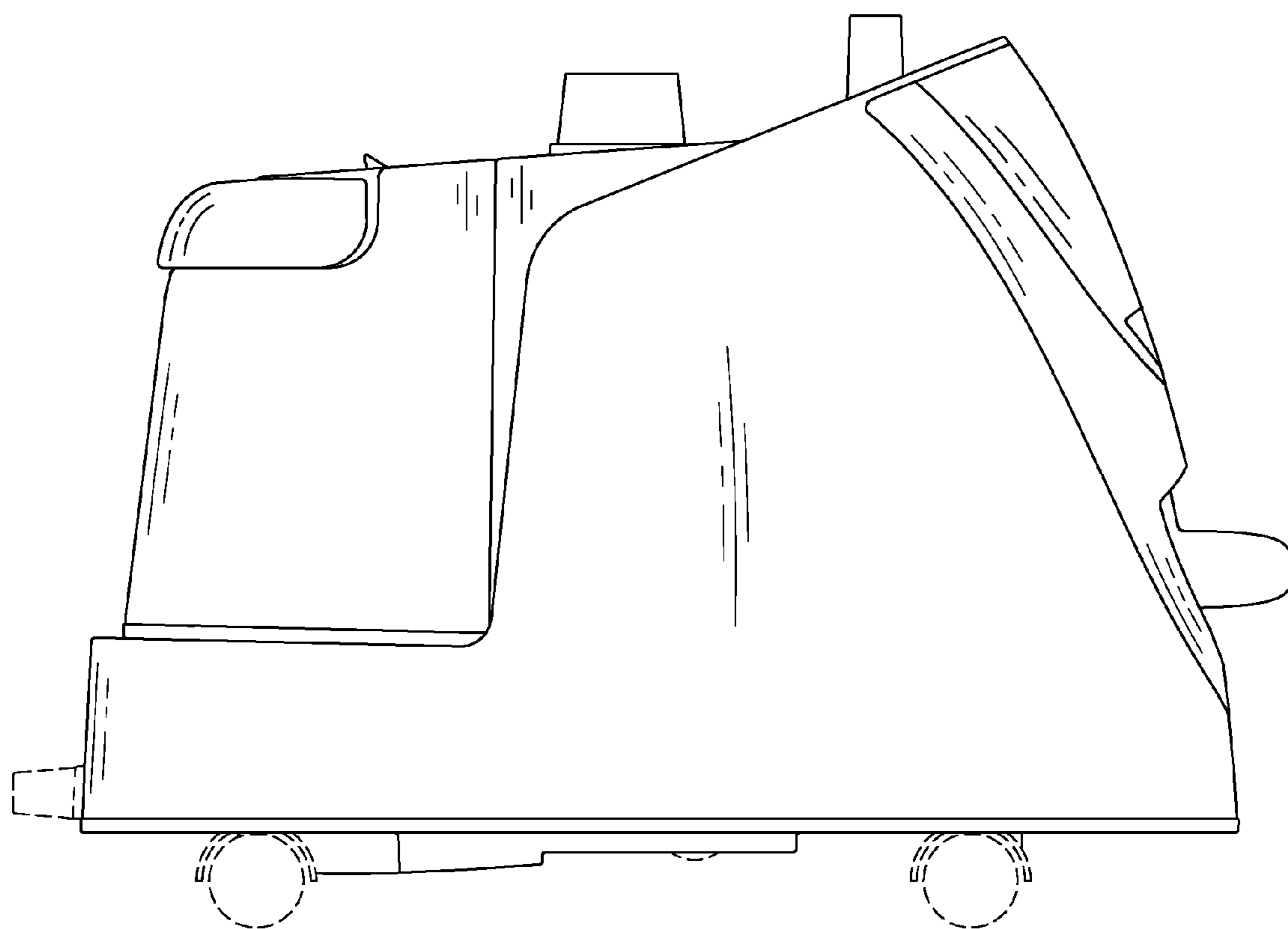


FIG. 3

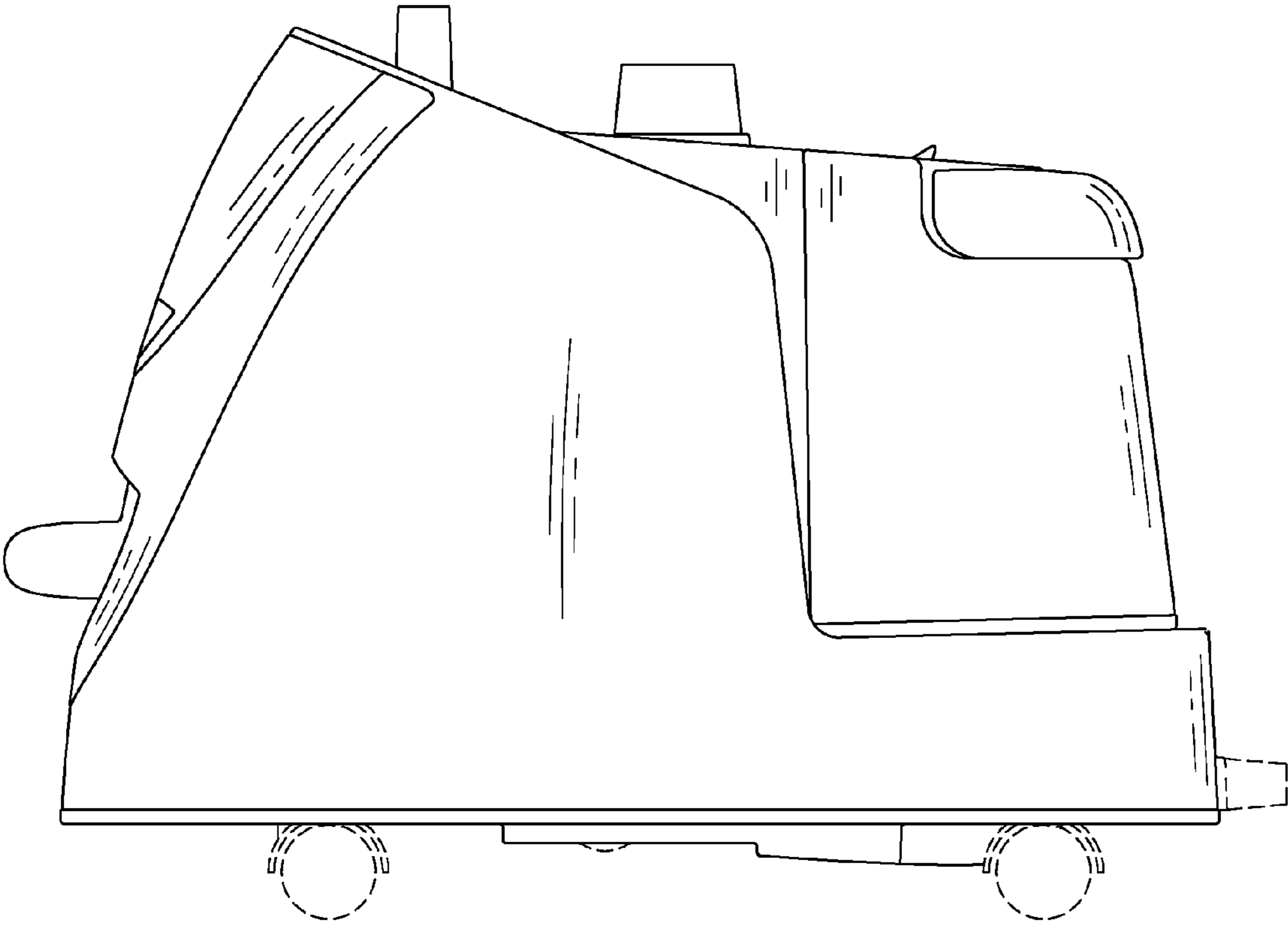


FIG. 4

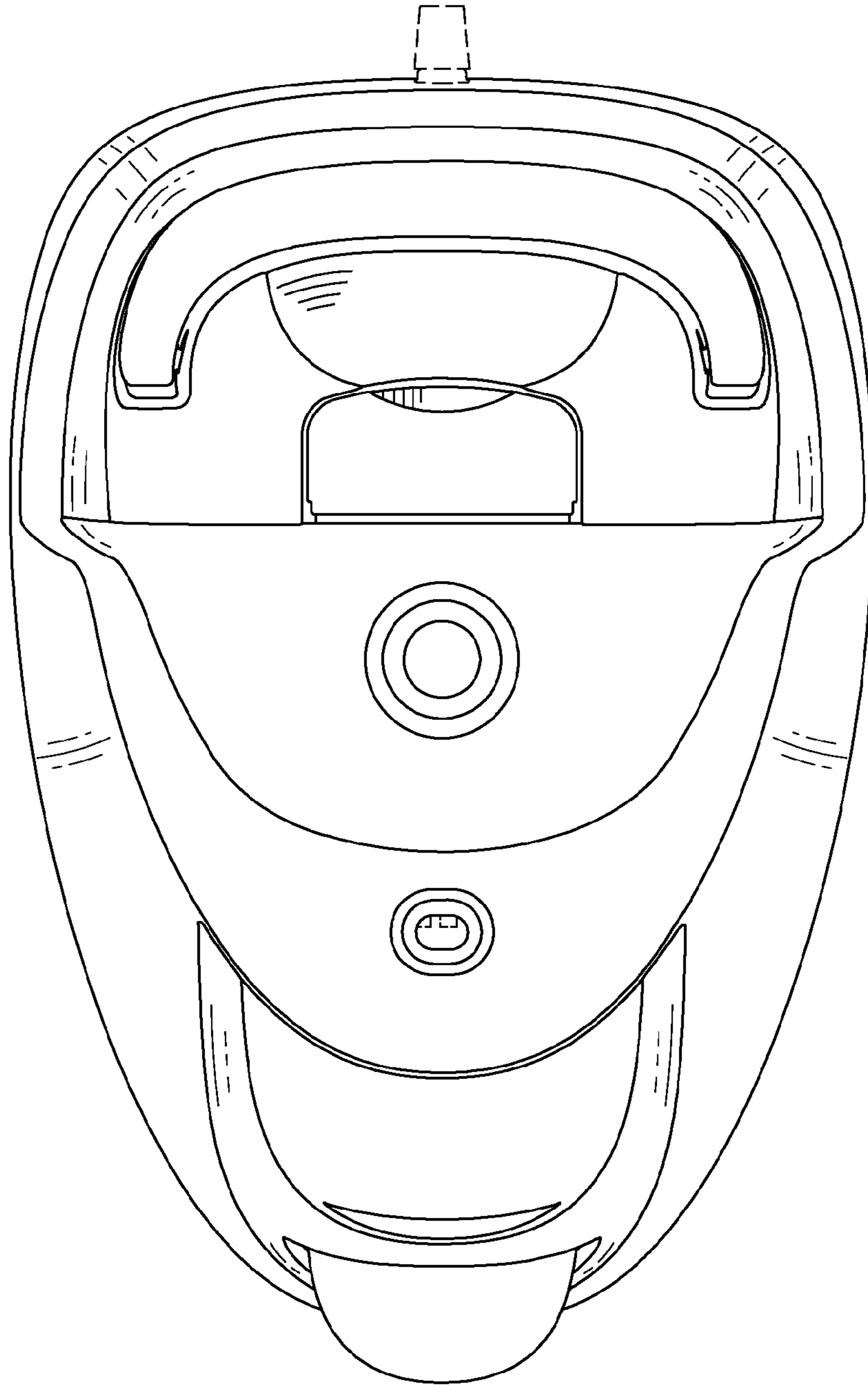


FIG. 5

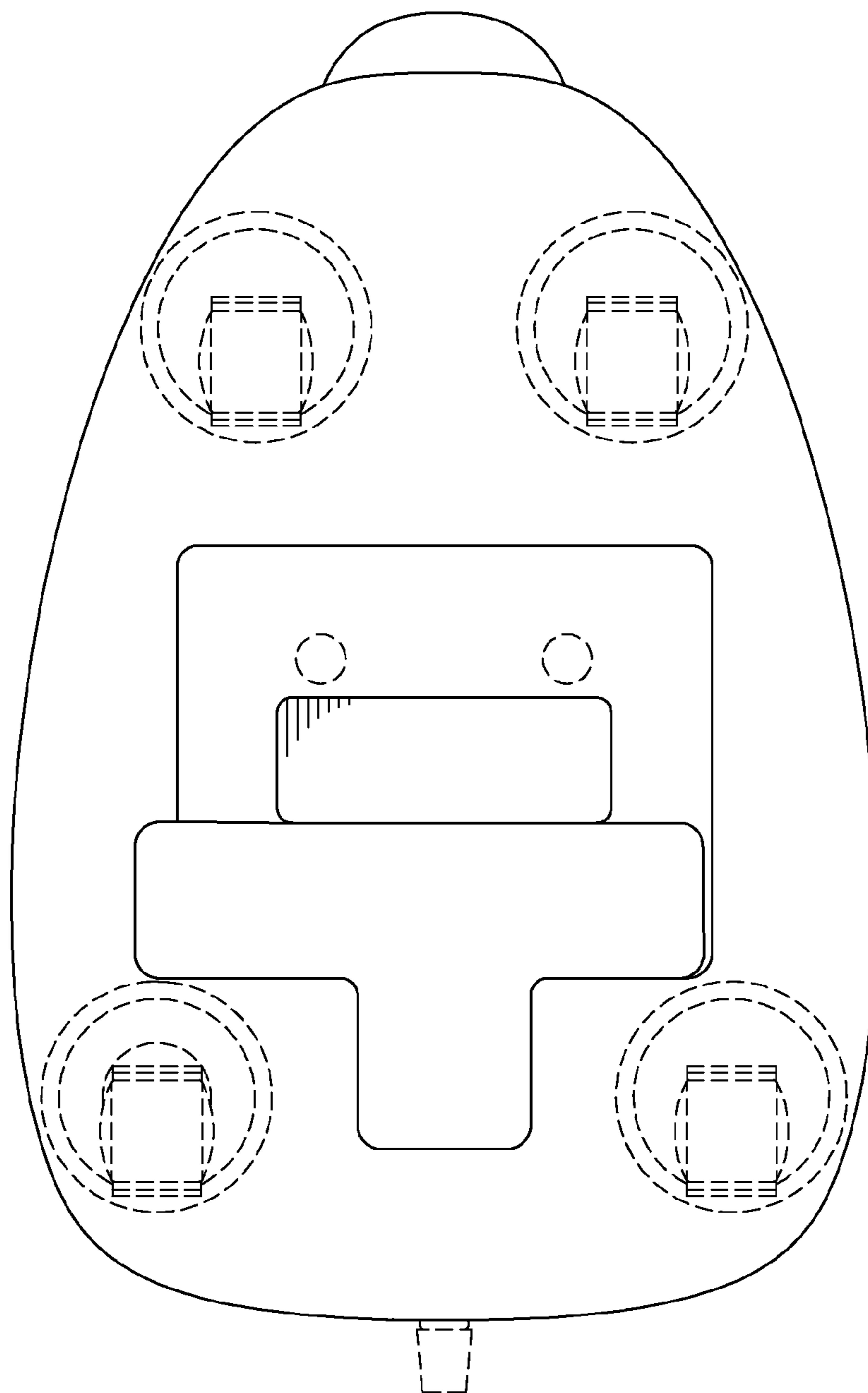


FIG. 6

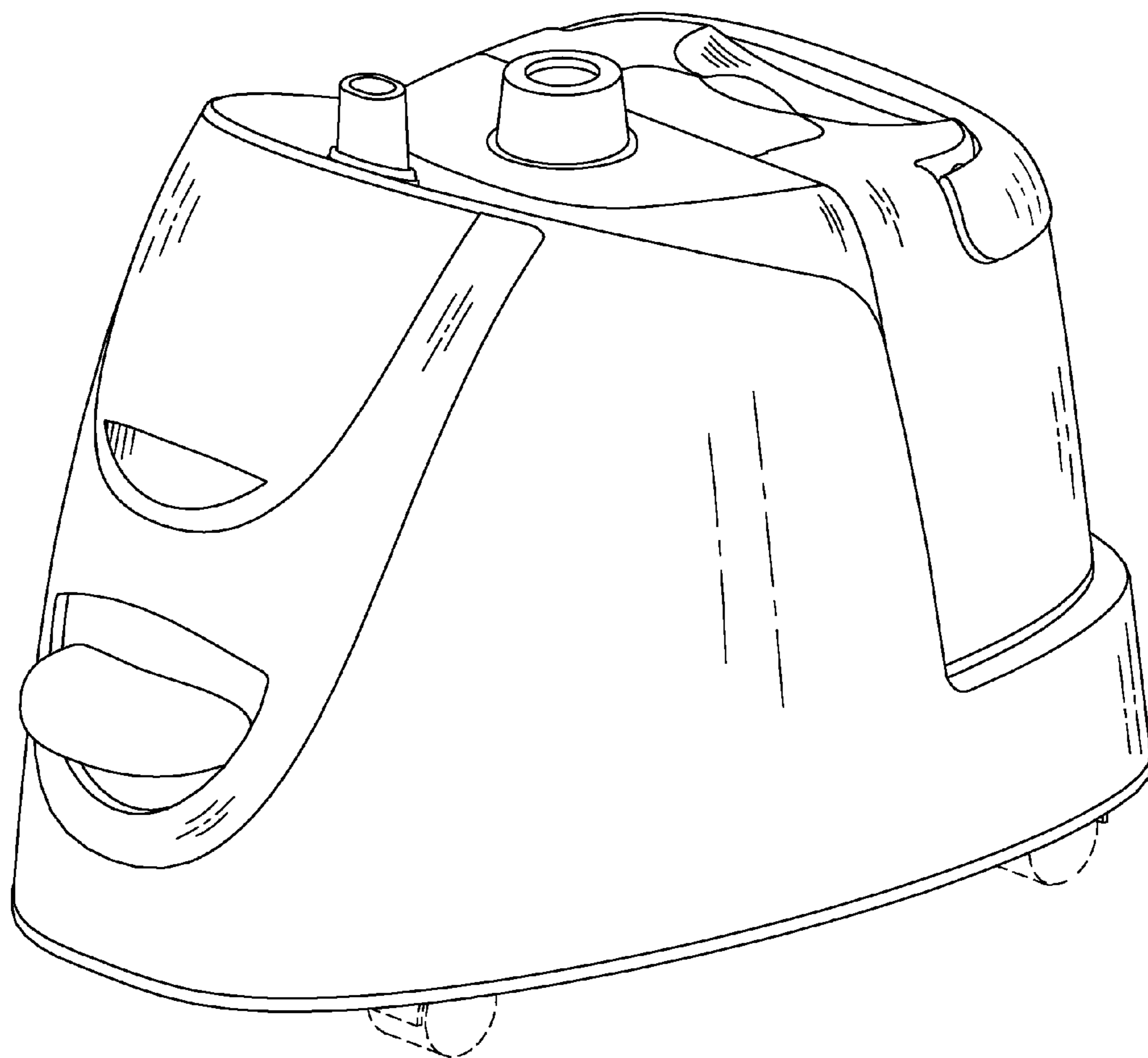


FIG. 7