



US00D659916S

(12) **United States Design Patent**
Myerson

(10) **Patent No.:** **US D659,916 S**

(45) **Date of Patent:** **** May 15, 2012**

(54) **PET LITTER SCOOP**

(76) Inventor: **Maurice Myerson**, Atlanta, GA (US)

(**) Term: **14 Years**

(21) Appl. No.: **29/316,250**

(22) Filed: **Sep. 8, 2009**

D416,359	S	*	11/1999	Schlueter	D30/162
D429,853	S	*	8/2000	Hammond	D30/162
6,312,029	B1	*	11/2001	Renforth	294/1.3
6,578,807	B1	*	6/2003	Lipscomb et al.	248/314
D480,519	S	*	10/2003	Firth	D30/162
D485,025	S	*	1/2004	Edwards et al.	D30/162
D533,975	S	*	12/2006	Kelly et al.	D30/162
D604,915	S	*	11/2009	Teper et al.	D30/162
2002/0167184	A1	*	11/2002	May	294/1.4
2009/0001738	A1	*	1/2009	Amerena	294/1.4

* cited by examiner

Related U.S. Application Data

(63) Continuation of application No. 10/996,489, filed on Nov. 23, 2004.

(51) **LOC (9) Cl.** **30-99**

(52) **U.S. Cl.** **D30/162**

(58) **Field of Classification Search** D30/162;
D8/13; D9/430; 294/1.3-1.5, 19.1, 49, 50,
294/50.5, 55

See application file for complete search history.

Primary Examiner — Cathy A MacCormac

(74) *Attorney, Agent, or Firm* — Rodgers & Rodgers

(57) **CLAIM**

The ornamental design for a pet litter scoop, as shown and described.

DESCRIPTION

FIG. 1 is a perspective view of a pet litter scoop showing my new design;

FIG. 2 is a top plan view thereof;

FIG. 3 is a left-side elevational view thereof, the right side being a mirror image thereof;

FIG. 4 is a bottom plan view thereof;

FIG. 5 is a front elevational view thereof; and,

FIG. 6 is a rear elevational view thereof.

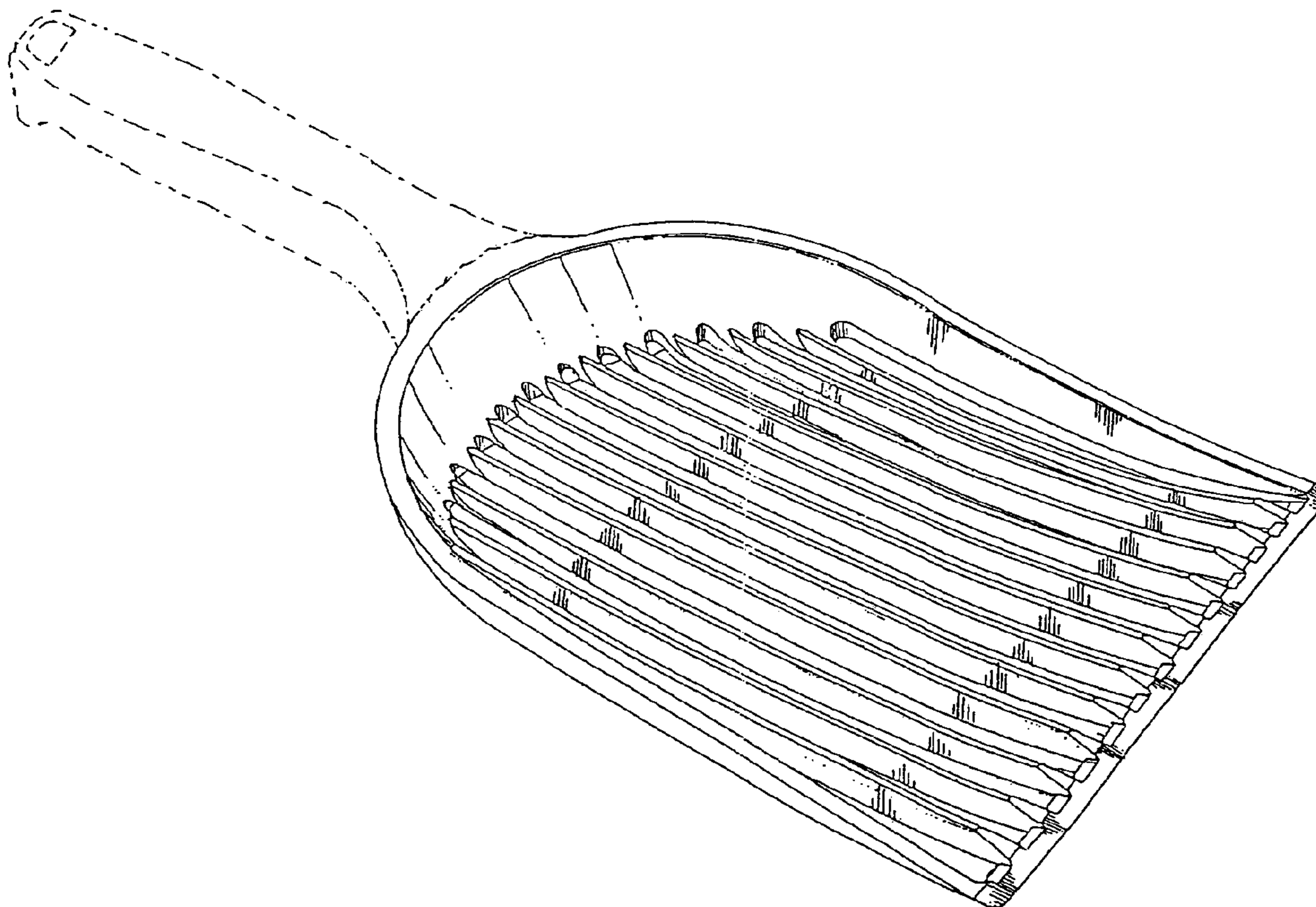
The broken lines are included for the purpose of showing environment and form no part of the claimed design.

1 Claim, 3 Drawing Sheets

(56) **References Cited**

U.S. PATENT DOCUMENTS

316,623	A	*	4/1885	Hooper	D30/162
421,021	A	*	2/1890	Vowles	294/55
448,393	A	*	3/1891	Wells et al.	294/55
D292,261	S	*	10/1987	Mitton	D8/13
D347,497	S	*	5/1994	VanSkiver	D30/162
D406,413	S	*	3/1999	Russo	D30/162
D409,804	S	*	5/1999	Nunes	D30/162



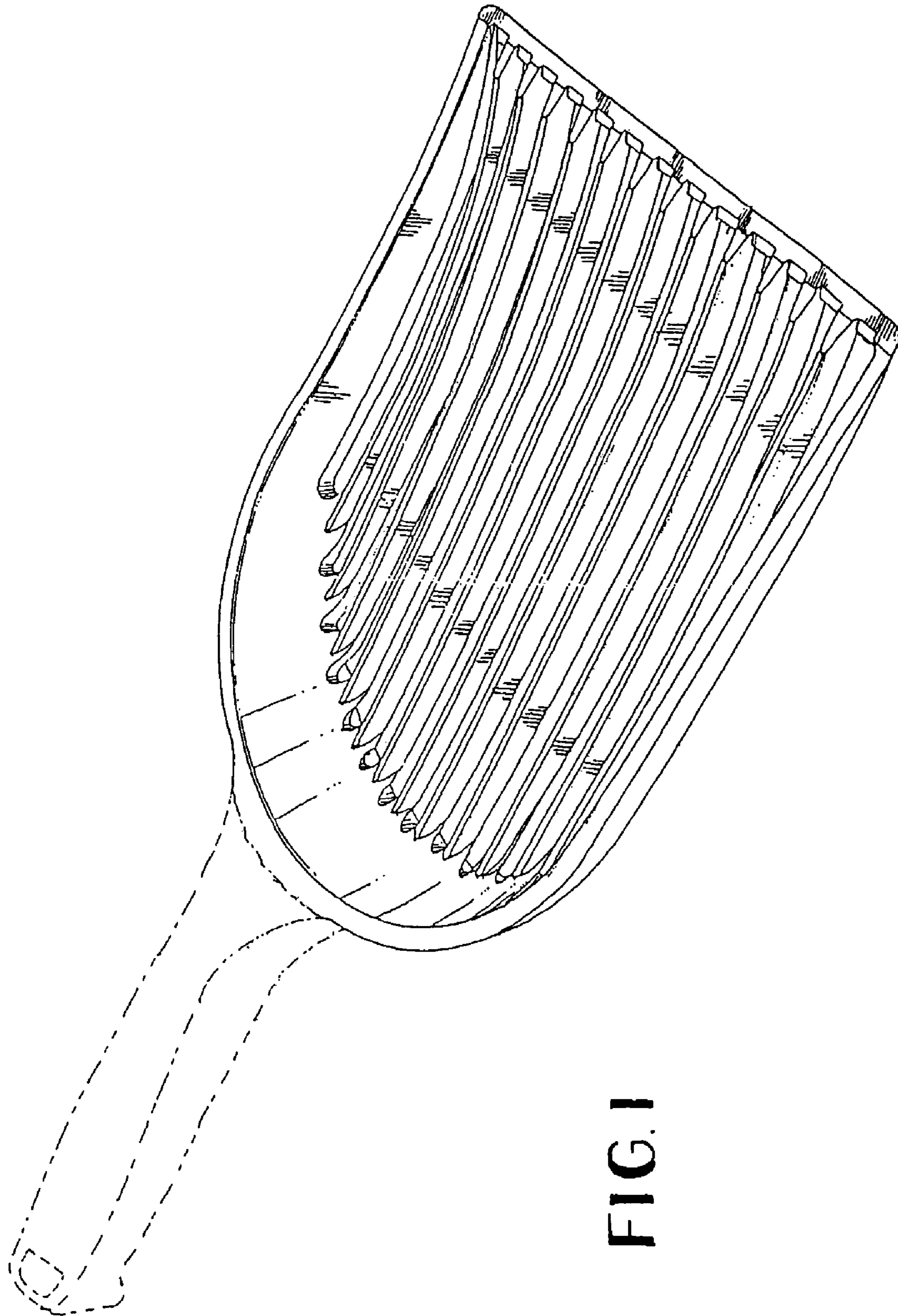


FIG. 1

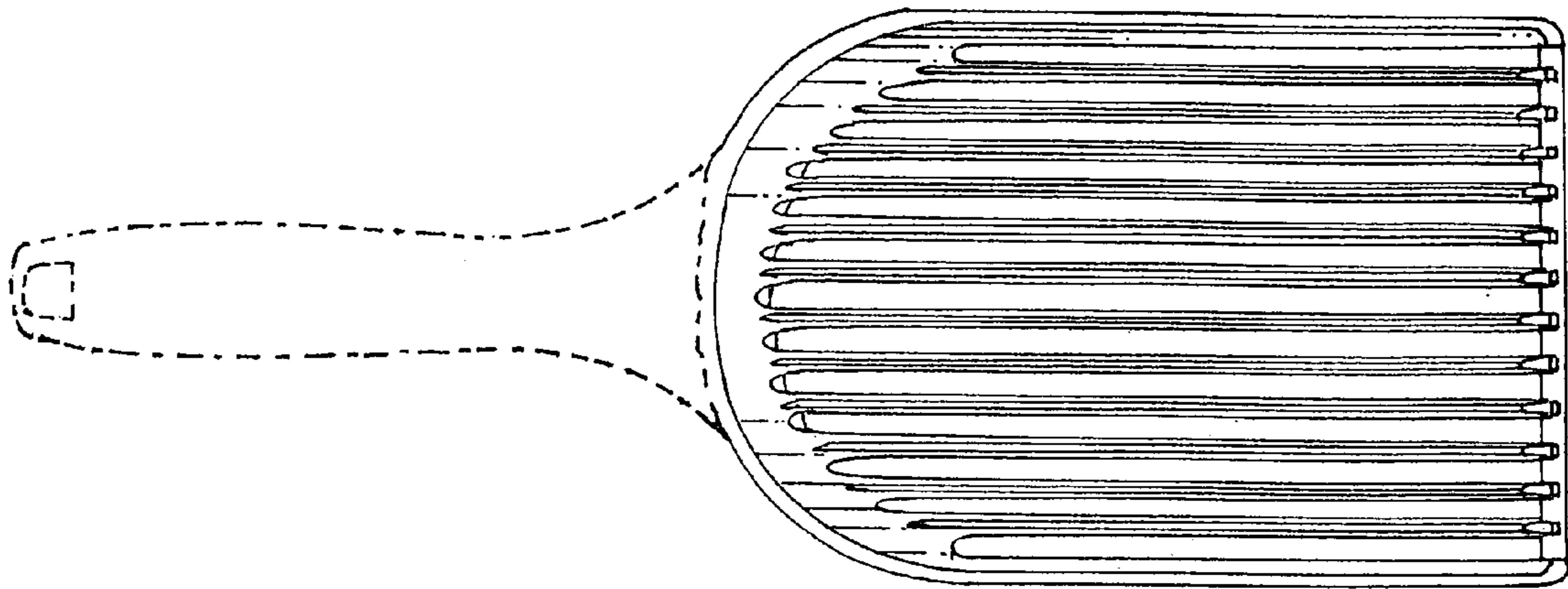


FIG. 2



FIG. 3

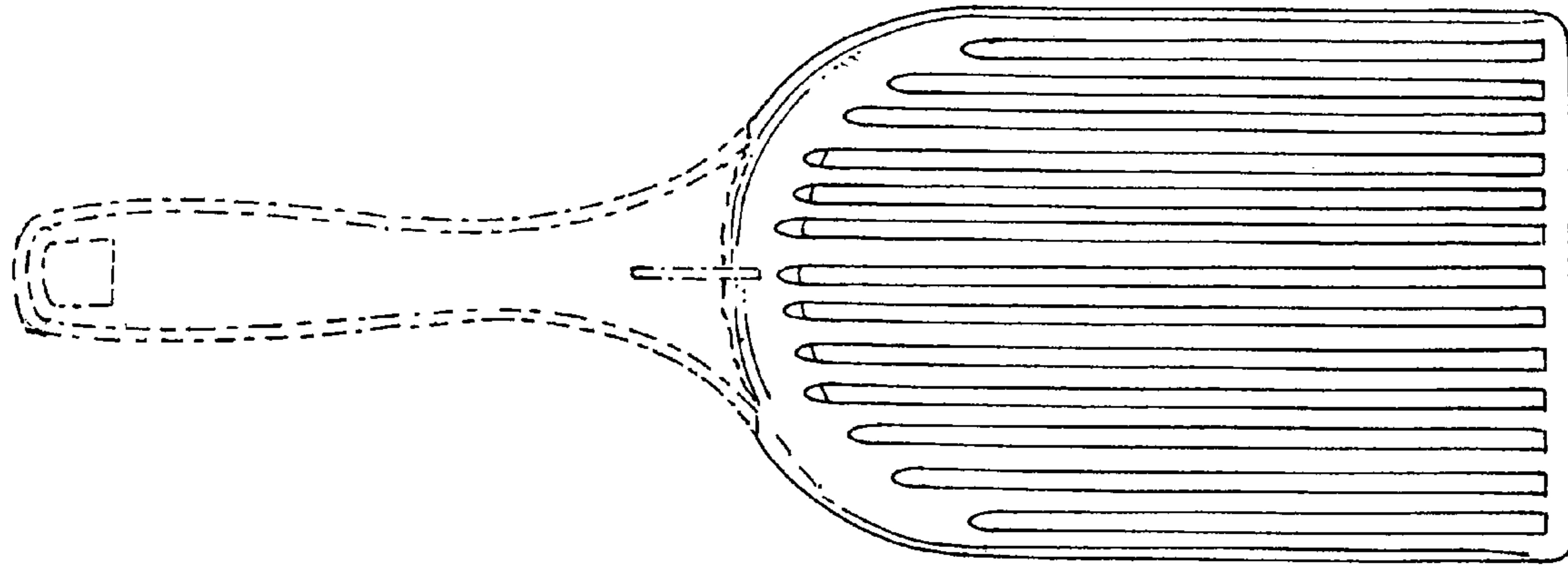


FIG. 4

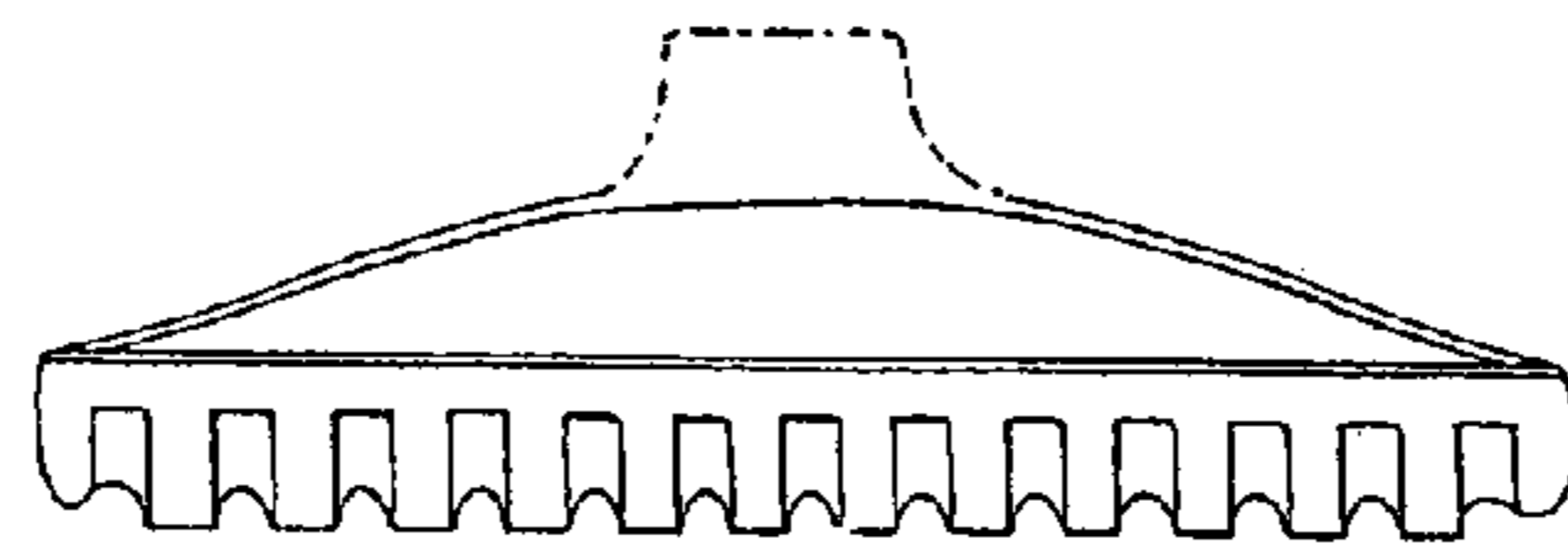


FIG. 5

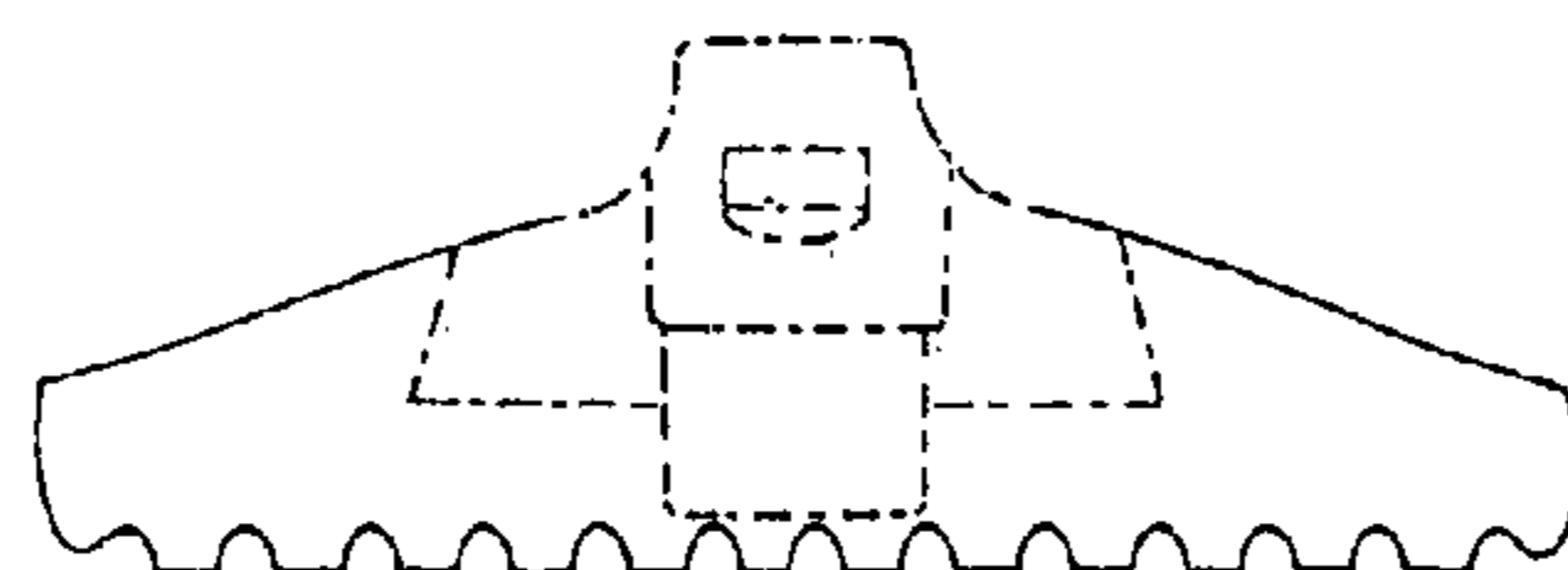


FIG. 6