



US00D659913S

(12) **United States Design Patent**
Spectre et al.

(10) **Patent No.:** **US D659,913 S**

(45) **Date of Patent:** **** May 15, 2012**

(54) **TWO-PIECE PET FOOD DISH**

D257,494 S * 11/1980 Imhoff D30/129
4,257,353 A * 3/1981 Imhoff 119/61.56
D259,669 S 6/1981 Peterson

(Continued)

(75) Inventors: **David Spectre**, Tel Aviv (IL); **Tal Kamil**, Miramar Michmoret (IL); **Iftach Priel**, Harei Yehuda (IL); **Jennifer Crotty**, Lake Bluff, IL (US)

Primary Examiner — Susan Moon Lee

(74) *Attorney, Agent, or Firm* — Greenberg Traurig LLP

(73) Assignee: **Petstages, Inc.**, Skokie, IL (US)

(57) **CLAIM**

(**) Term: **14 Years**

We claim the ornamental design for a two-piece pet food dish, as shown and described.

(21) Appl. No.: **29/397,906**

DESCRIPTION

(22) Filed: **Jul. 22, 2011**

(51) **LOC (9) Cl.** **30-03**

(52) **U.S. Cl.** **D30/130**

(58) **Field of Classification Search** D30/121,
D30/122, 129-133; 119/61.5, 51.01, 61.56,
119/51.03, 59, 62, 63, 51.5, 57.8, 74, 61.54,
119/61.55; 312/204; 248/151, 188; 108/156,
108/153.1-157; 220/23.87, 630, 737, 743,
220/9.4, 495.01, 574, 212, 255, 23.83; 206/515;
D7/586, 543, 550.1, 587, 505, 584, 545, 500,
D7/553.1-553.8, 546, 555, 556, 504, 565,
D7/562, 602; D9/429; 43/109; D22/122;
99/430, DIG. 15

FIG. 1 is a top perspective view of the bowl insert for the two-piece pet food dish of the present invention.

FIG. 2 is a side elevation thereof.

FIG. 3 is a bottom view thereof.

FIG. 4 is a top view thereof.

FIG. 5 is a side elevation, in section, showing the bowl insert and base of the two-piece pet food dish together.

FIG. 6 is a top perspective view of the base for the two-piece pet food dish.

FIG. 7 is a top plan view thereof.

FIG. 8 is a front elevation thereof, the rear elevation being substantially identical thereto.

FIG. 9 is a side elevation thereof, the opposite side elevation being substantially identical thereof.

FIG. 10 is a top perspective view of the two-piece pet food dish, showing the base and bowl insert together.

FIG. 11 is a top perspective exploded view thereof.

FIG. 12 is a front elevation thereof, the rear elevation being substantially identical thereto.

FIG. 13 is a side elevation thereof, the opposite side elevation being substantially identical thereof; and,

FIG. 14 is a bottom perspective view thereof.

Elements in the disclosure executed in broken lines do not comprise part of the presently claimed design. For example, in an embodiment of the invention, the base may include semi-circular finger notches on opposite sides of the bowl, as shown by the broken lines.

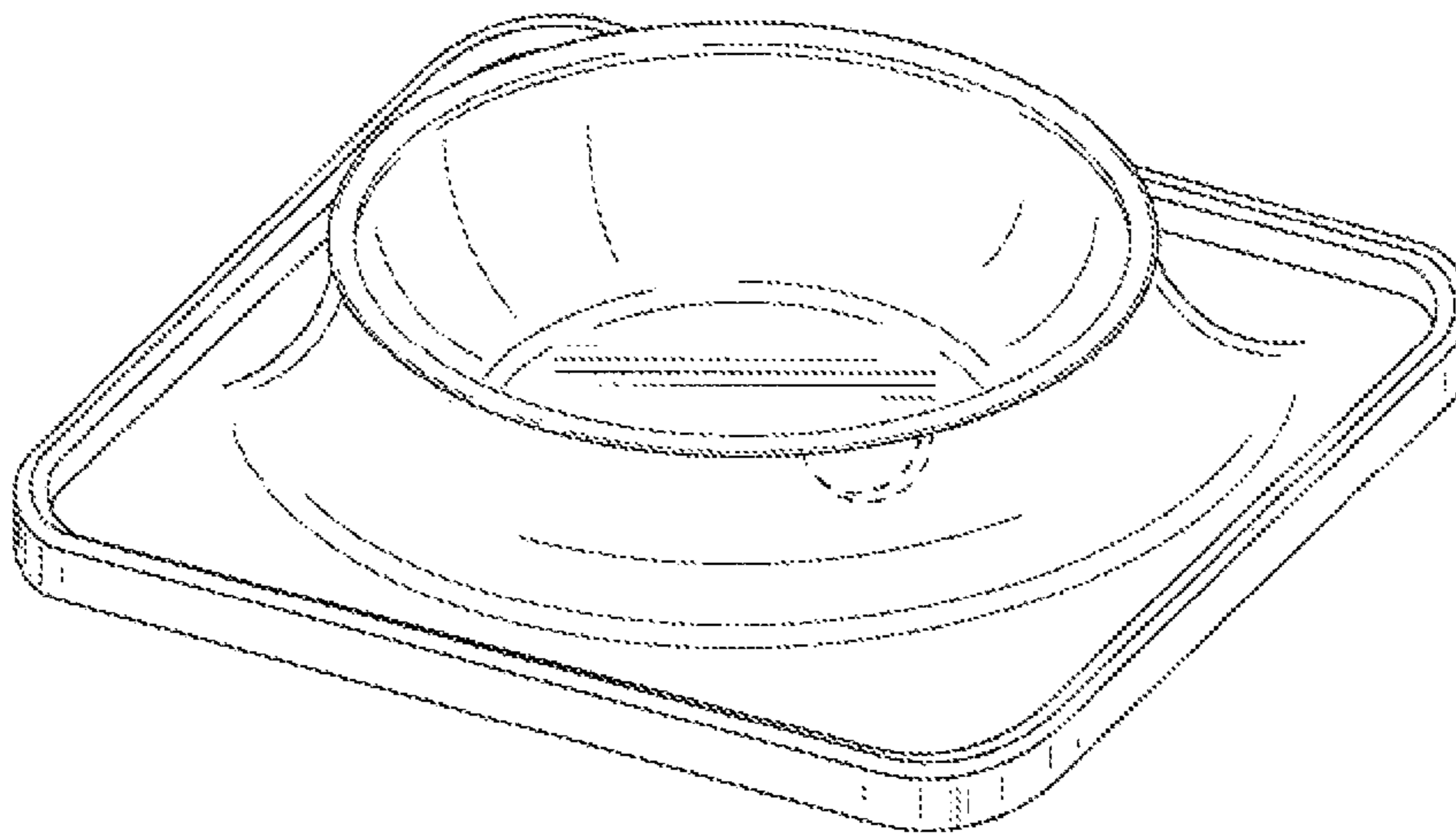
See application file for complete search history.

(56) **References Cited**

U.S. PATENT DOCUMENTS

D101,140	S	*	9/1936	Robertson	D30/129
D103,562	S	*	3/1937	Cook	D9/455
D209,677	S	*	12/1967	Robert	D30/133
D209,678	S	*	12/1967	Robert	D30/133
D209,679	S	*	12/1967	Robert	D30/133
3,405,685	A	*	10/1968	Harrell	119/61.54
D217,360	S	*	4/1970	Robert	D30/133
3,527,192	A		9/1970	Ferrara		
3,698,594	A		10/1972	Boehlert		
3,734,062	A		5/1973	O'Hara		
D231,887	S	*	6/1974	Kephart	D6/484
D232,564	S	*	8/1974	Kissin	D30/129
D237,787	S	*	11/1975	Weyrich, Jr.	D34/24
D252,310	S	*	7/1979	Shannon	D7/619.1

1 Claim, 8 Drawing Sheets



US D659,913 S

U.S. PATENT DOCUMENTS

D260,043 S *	7/1981	Robinson	D30/129	D467,045 S	12/2002	Tsengas	
D269,045 S *	5/1983	Easton	D30/130	D491,697 S	6/2004	Tsengas	
D278,371 S *	4/1985	Strickland	D30/132	6,840,191 B2	1/2005	Gasparly et al.	
4,587,930 A *	5/1986	Trego	119/61.57	D505,625 S *	5/2005	Servaux et al.	D9/560
4,658,759 A *	4/1987	Brown	119/61.5	D523,996 S *	6/2006	Fine D30/129
D296,485 S *	6/1988	Peterson	D30/130	7,204,202 B2	4/2007	Behun et al.	
4,762,087 A *	8/1988	Henecke	119/61.56	D558,931 S *	1/2008	Hood et al.	D30/130
4,800,845 A	1/1989	Budd			D561,408 S	2/2008	Marsh	
D299,768 S *	2/1989	Windom	D30/129	D563,606 S *	3/2008	Hood et al.	D30/129
D300,672 S *	4/1989	Seymour et al.	D27/102	D569,560 S	5/2008	Greenan	
D312,895 S *	12/1990	Goetz	D30/129	7,392,761 B2	7/2008	Kujawa et al.	
D321,498 S *	11/1991	Jones	D12/217	D576,448 S	9/2008	Harris	
5,133,293 A *	7/1992	Boozer	119/61.57	D579,724 S *	11/2008	McMurphy D7/545
D336,555 S	6/1993	Goetz			D590,551 S	4/2009	Sperbeck	
D338,088 S *	8/1993	Bailey	D30/131	7,527,018 B2	5/2009	Manley-Hood	
D340,761 S *	10/1993	Long	D23/206	D593,364 S	6/2009	Harris	
D351,263 S *	10/1994	Evans	D30/129	D601,310 S	9/2009	Greenan	
D352,576 S *	11/1994	Trigoboff et al.	D30/129	D602,652 S	10/2009	Horvath	
D360,497 S *	7/1995	Lewis et al.	D30/129	D606,711 S	12/2009	Becattini, Jr. et al.	
5,493,998 A	2/1996	Warren			7,665,417 B1	2/2010	Harper	
D370,314 S	5/1996	Pearson-Falcon			D618,860 S	6/2010	Friedland et al.	
D377,961 S *	2/1997	Dickson et al.	D22/122	D618,861 S	6/2010	Bahnean et al.	
D382,377 S *	8/1997	Rothert	D30/129	D621,560 S	8/2010	McMurphy	
5,709,168 A	1/1998	Walker			D622,011 S	8/2010	Yowell	
5,730,083 A *	3/1998	Walker	83/699.41	D622,013 S	8/2010	Aho	
5,782,374 A *	7/1998	Walker	220/23.87	D623,360 S	9/2010	Man et al.	
D406,925 S *	3/1999	Sharon	D30/129	D623,361 S	9/2010	Man et al.	
D412,605 S *	8/1999	Sharon	D30/129	D623,362 S	9/2010	Man	
D423,732 S *	4/2000	McGee	D30/129	D625,887 S	10/2010	Becattini, Jr. et al.	
6,044,797 A	4/2000	Leason et al.			D627,109 S	11/2010	Man	
6,065,428 A *	5/2000	Fronk	119/61.53	2001/0045188 A1	11/2001	Tsengas	
6,089,187 A	7/2000	Gasparly			2004/0011934 A1 *	1/2004	Czepowicz et al.	248/311.2
D446,362 S	8/2001	Choi et al.			2005/0039689 A1 *	2/2005	Mossmer 119/61.5
D449,137 S *	10/2001	Newman	D30/129	2009/0041910 A1	2/2009	Rabinovitch et al.	

* cited by examiner

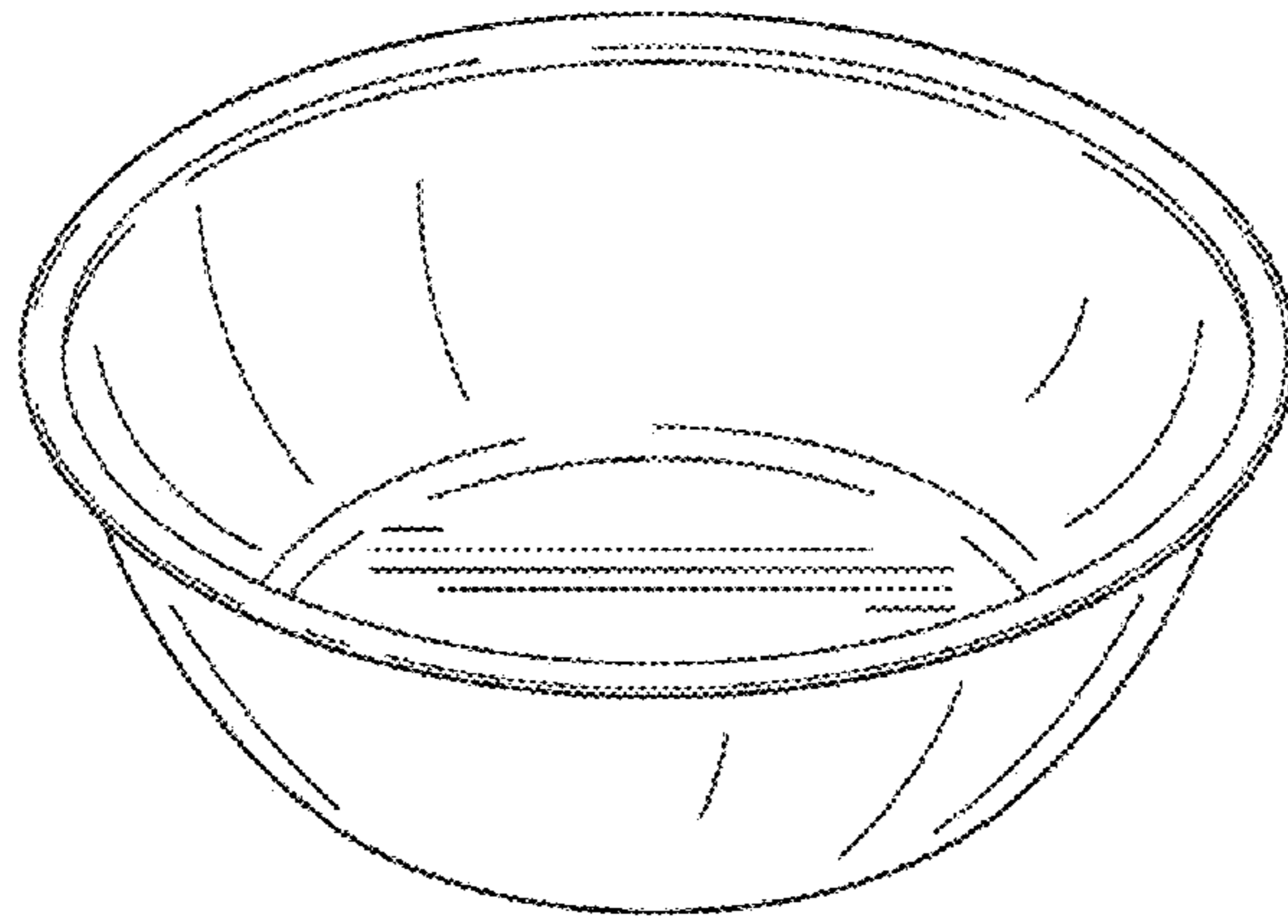


FIG. 1

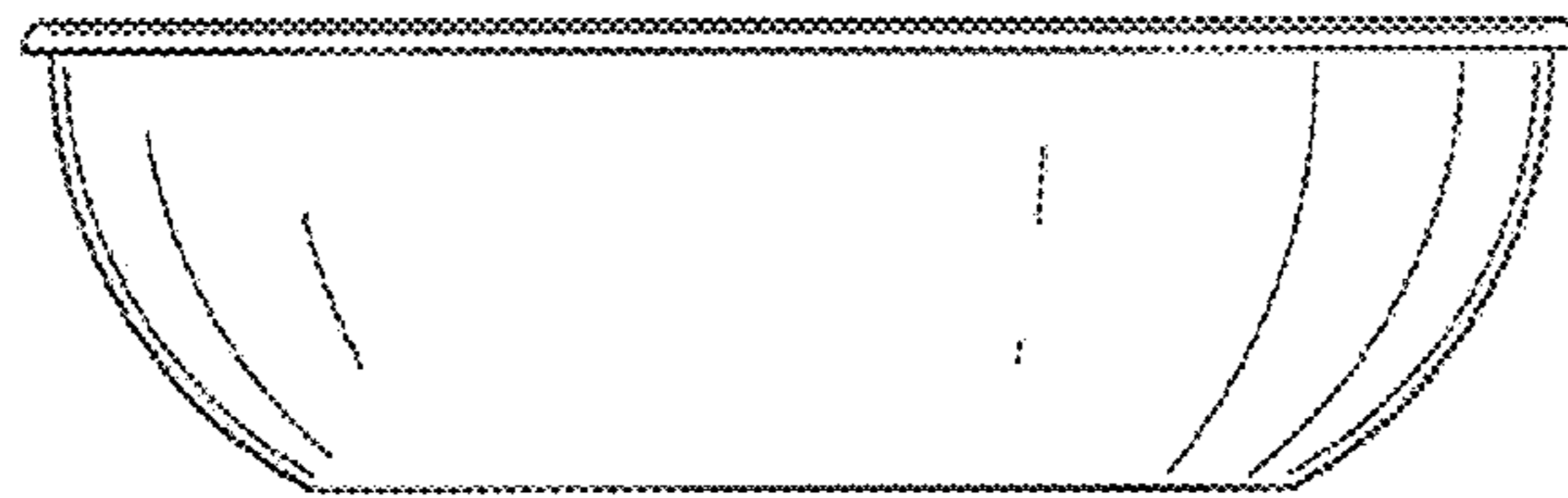


FIG. 2

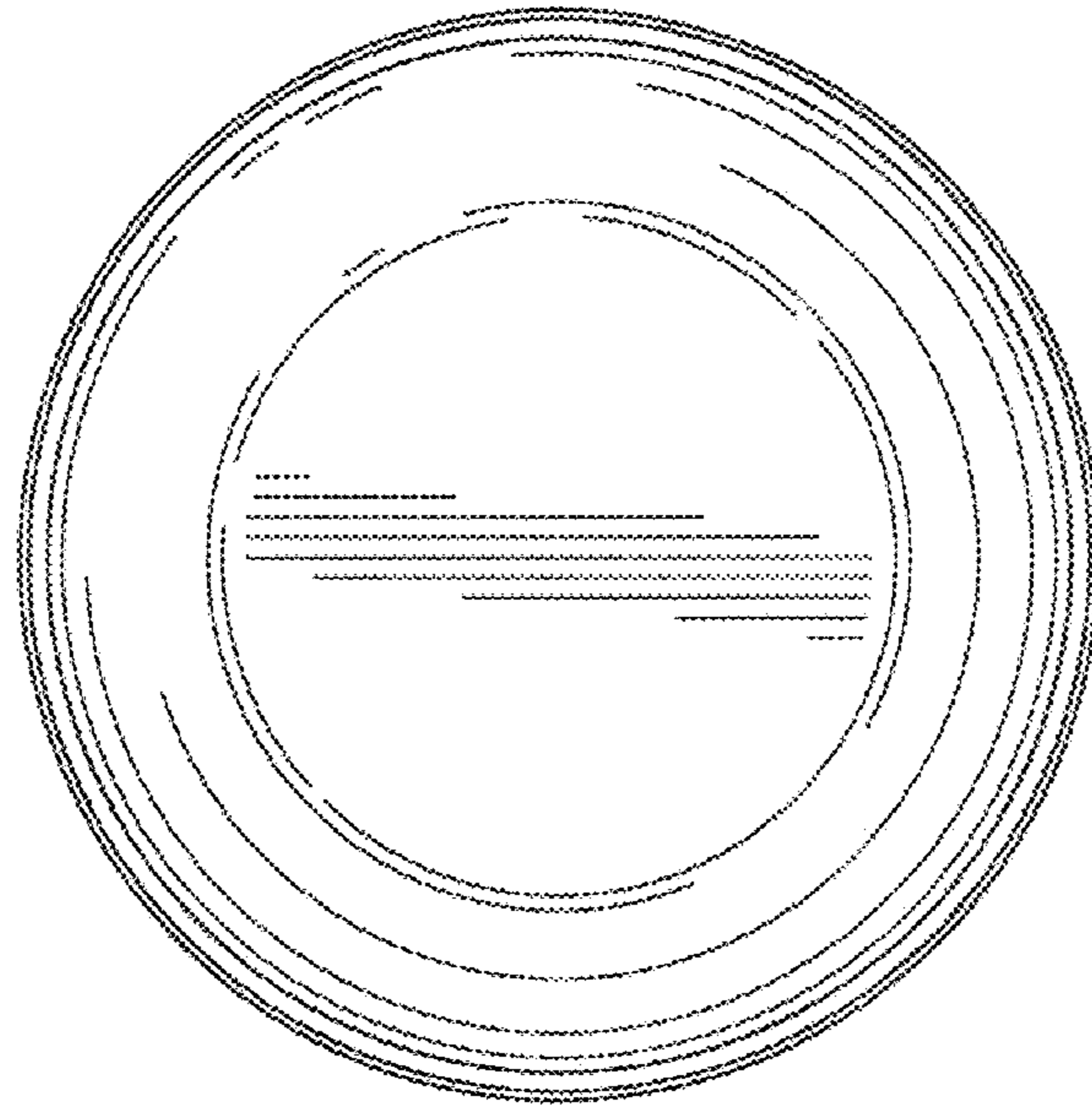


FIG. 3

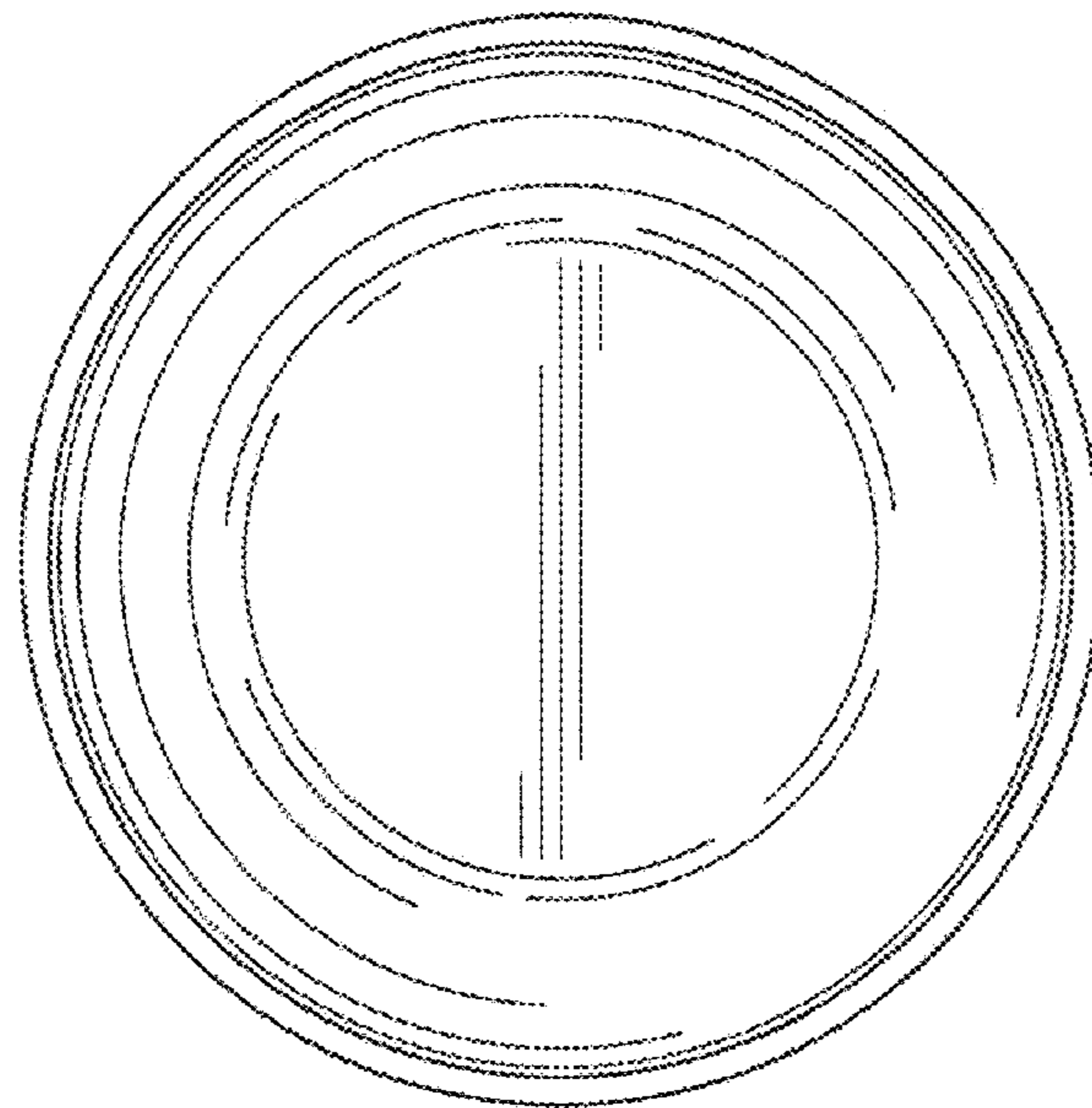


FIG. 4

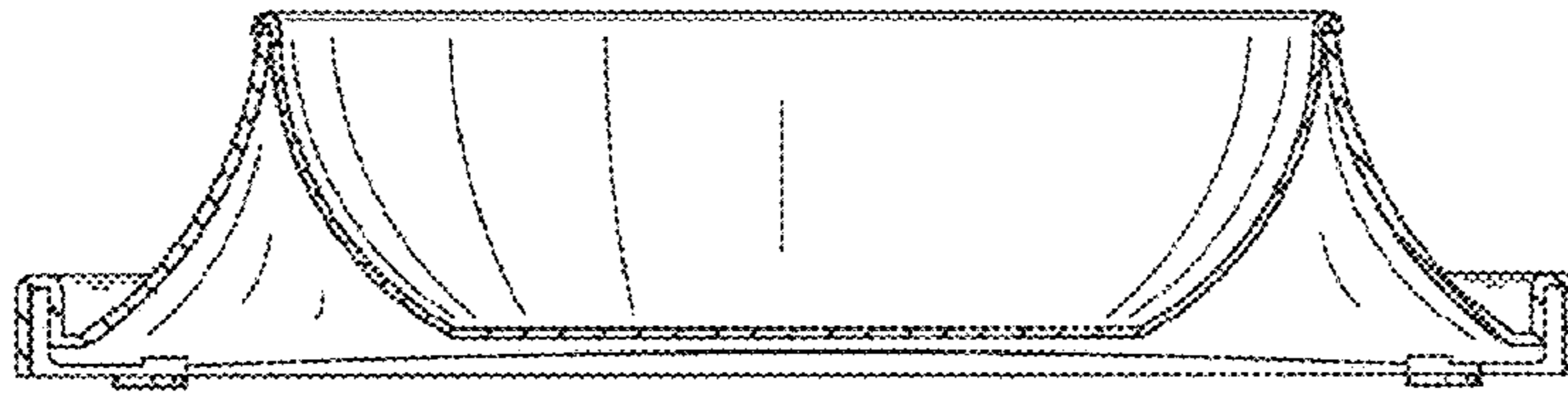


FIG. 5

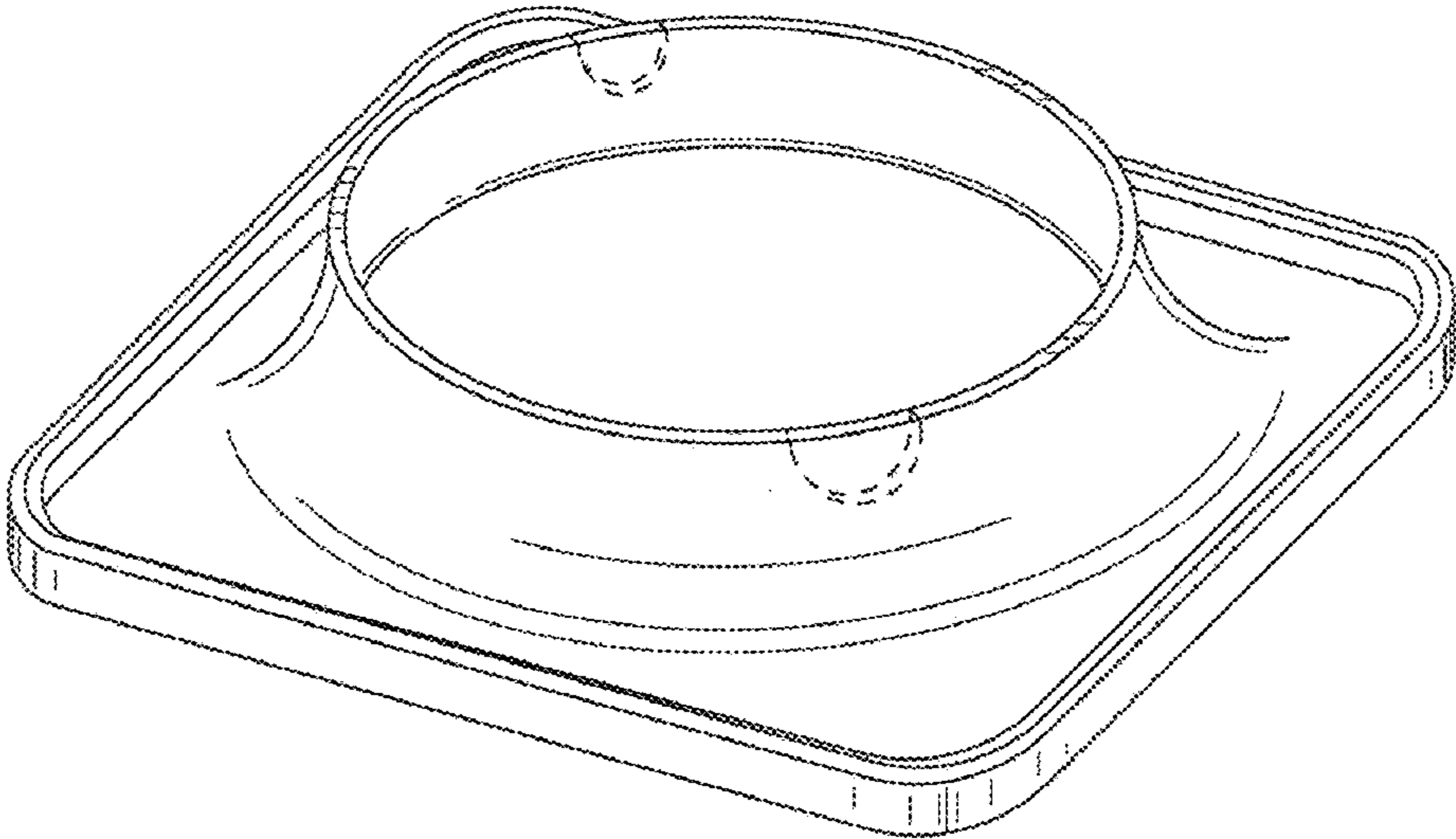


FIG. 6

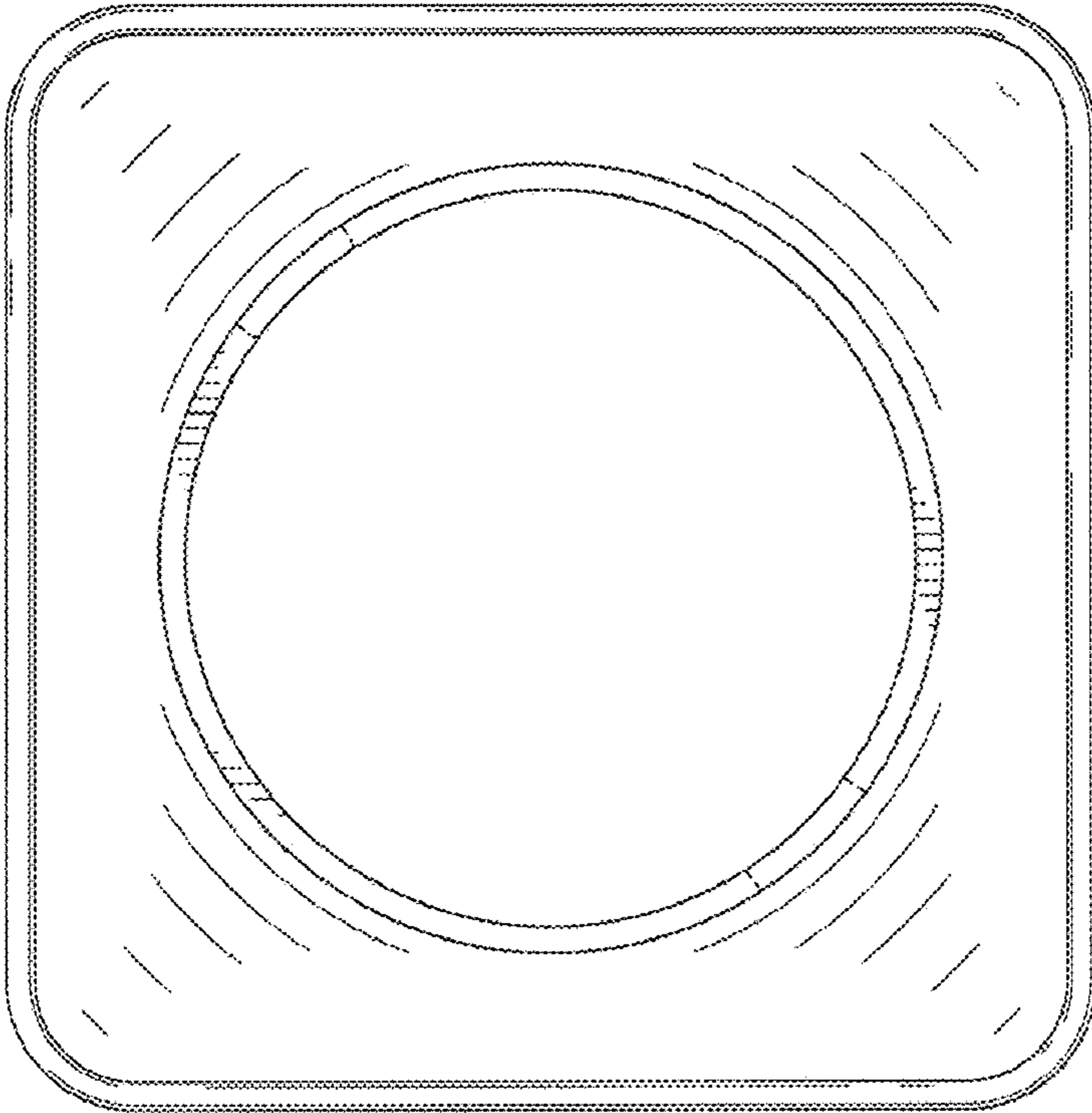


FIG. 7

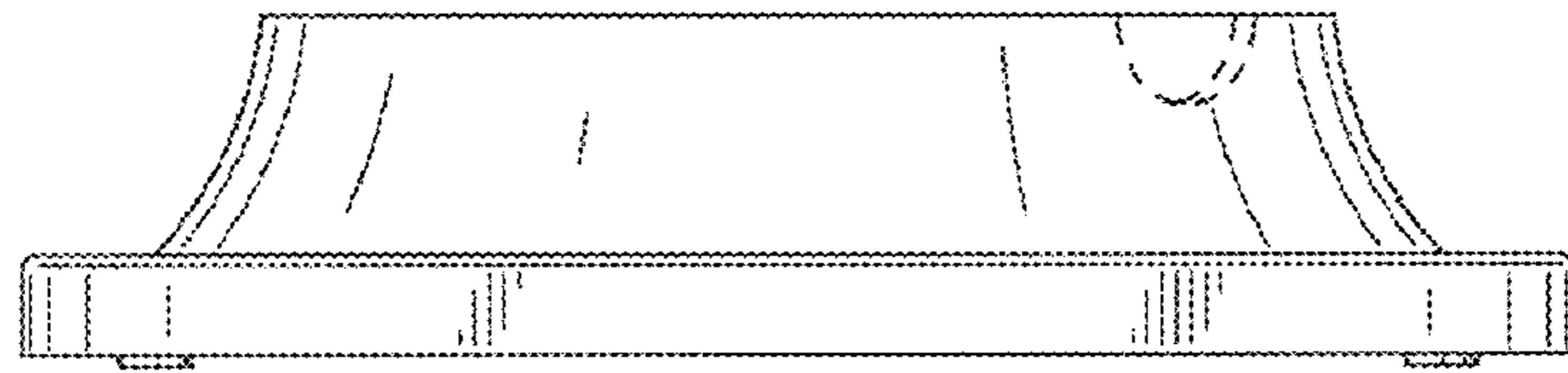


FIG. 8

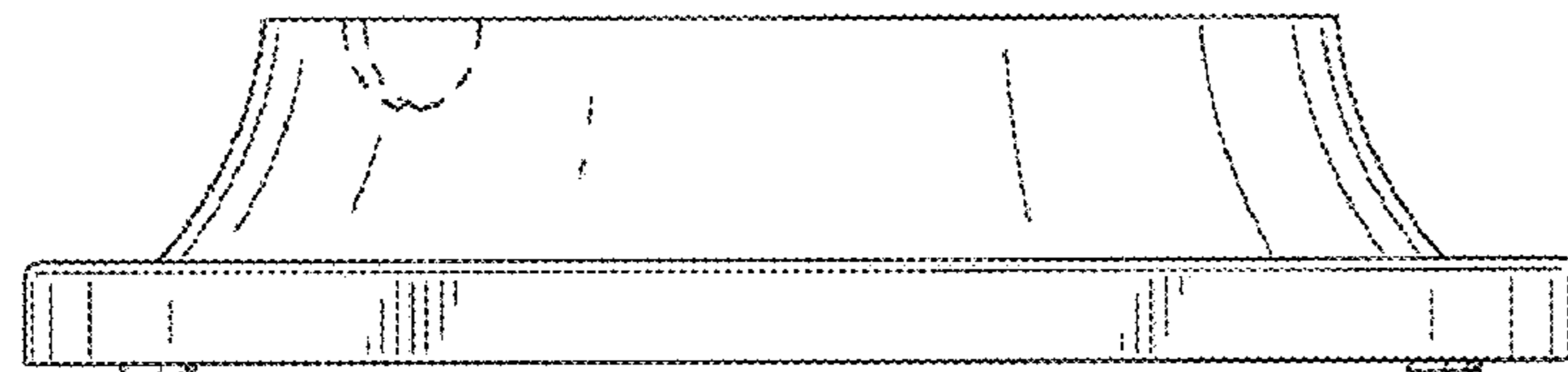


FIG. 9

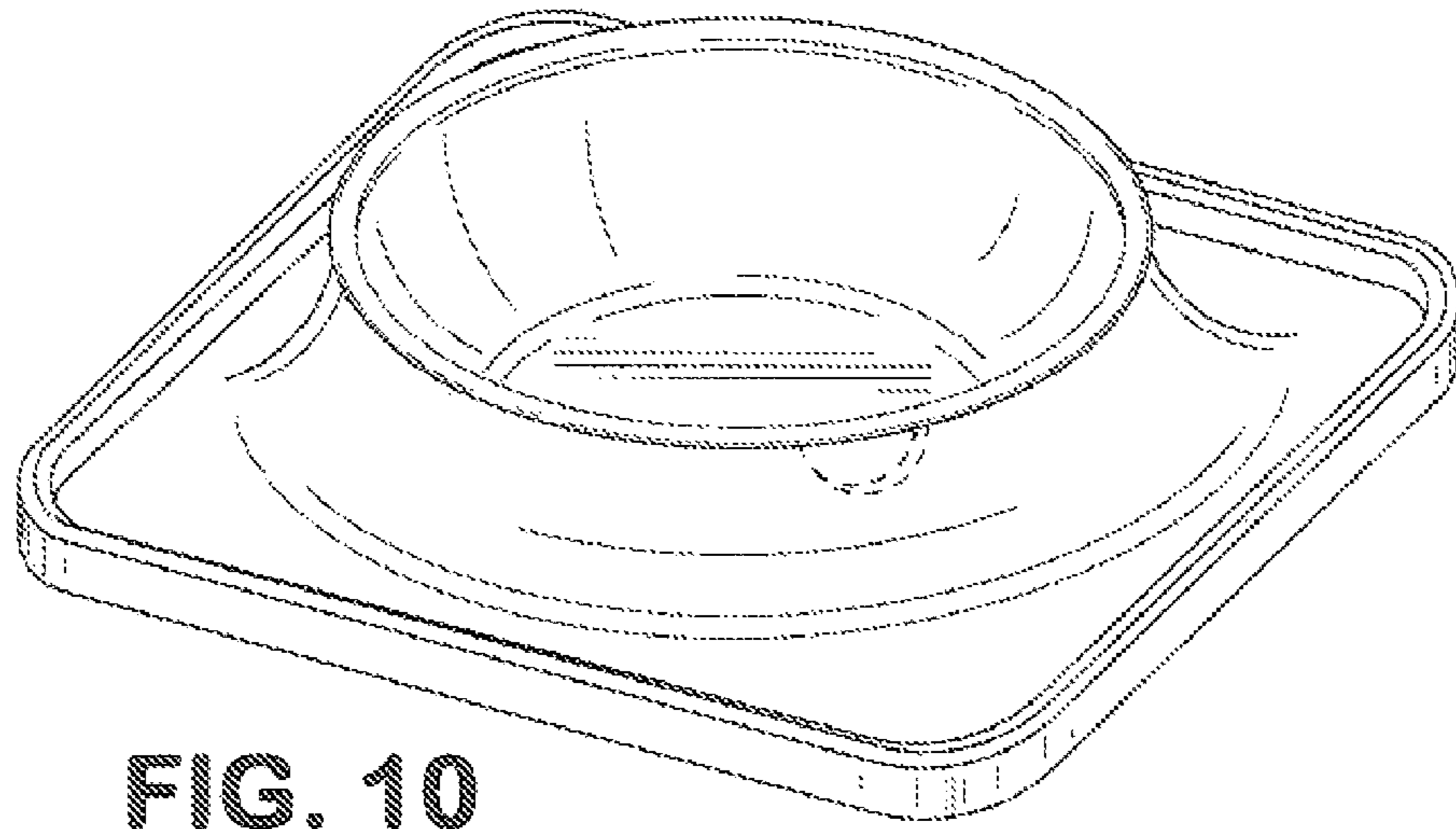


FIG. 10

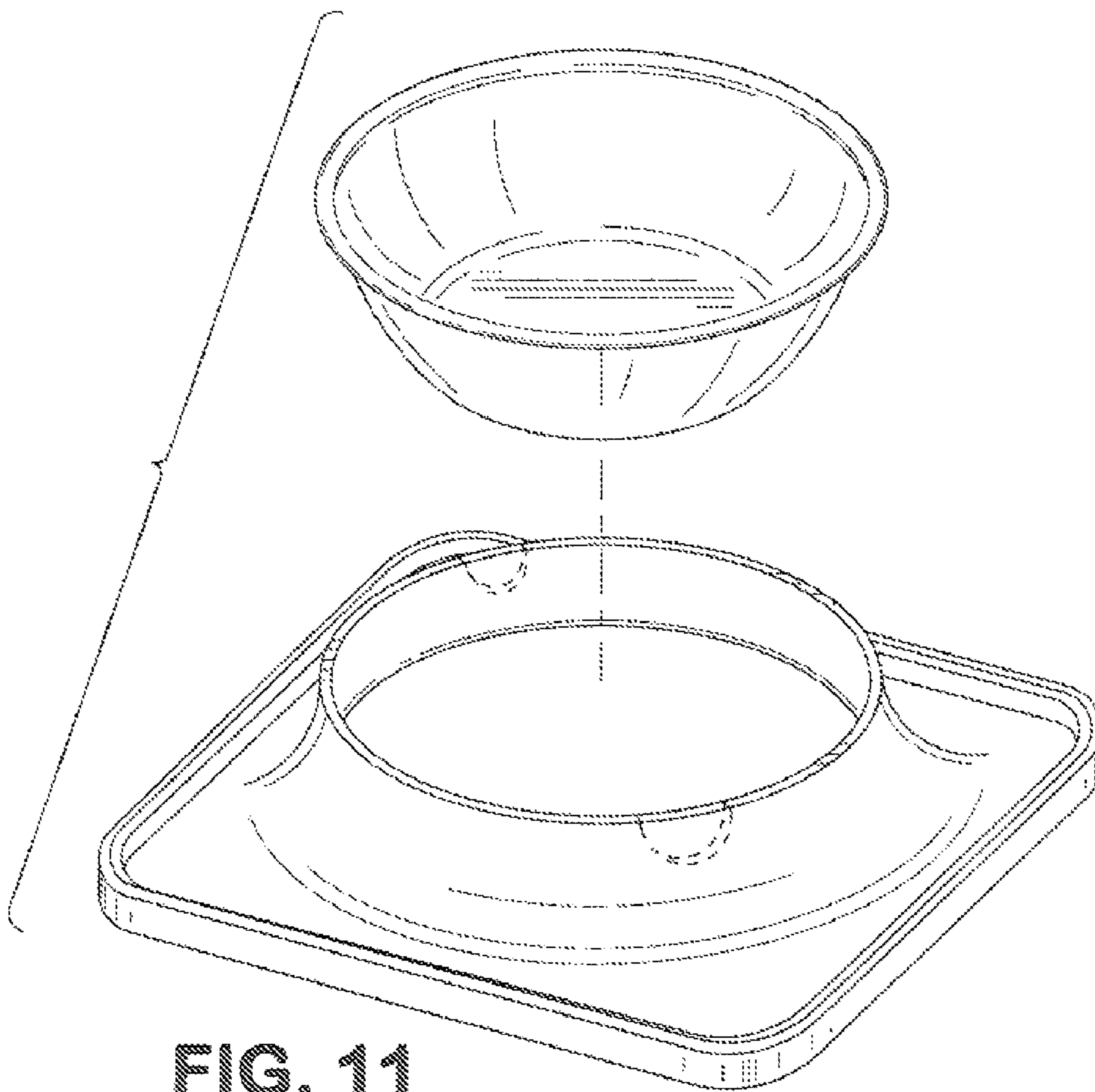


FIG. 11

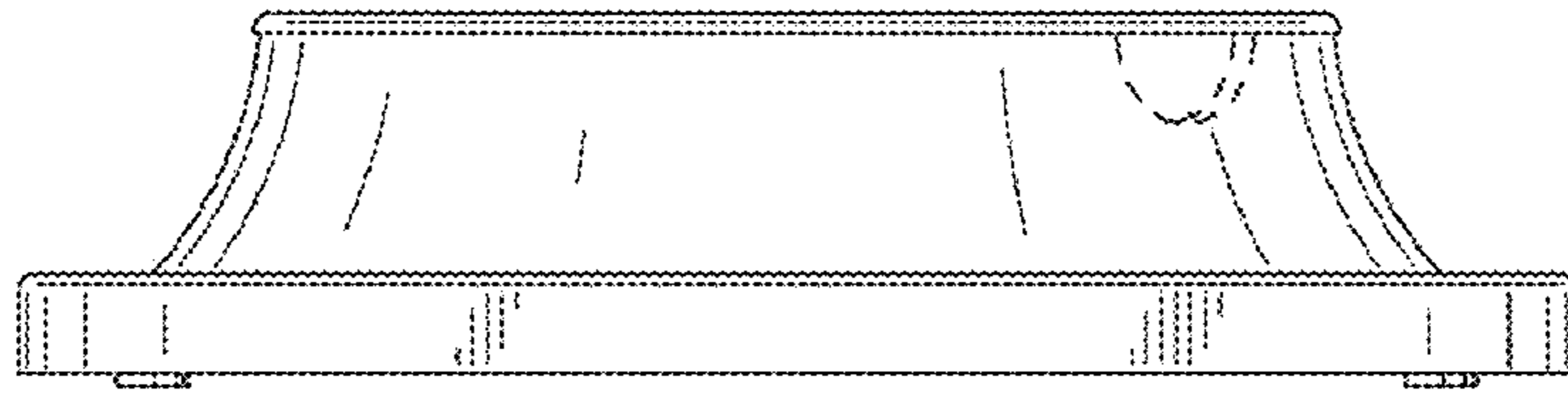


FIG. 12

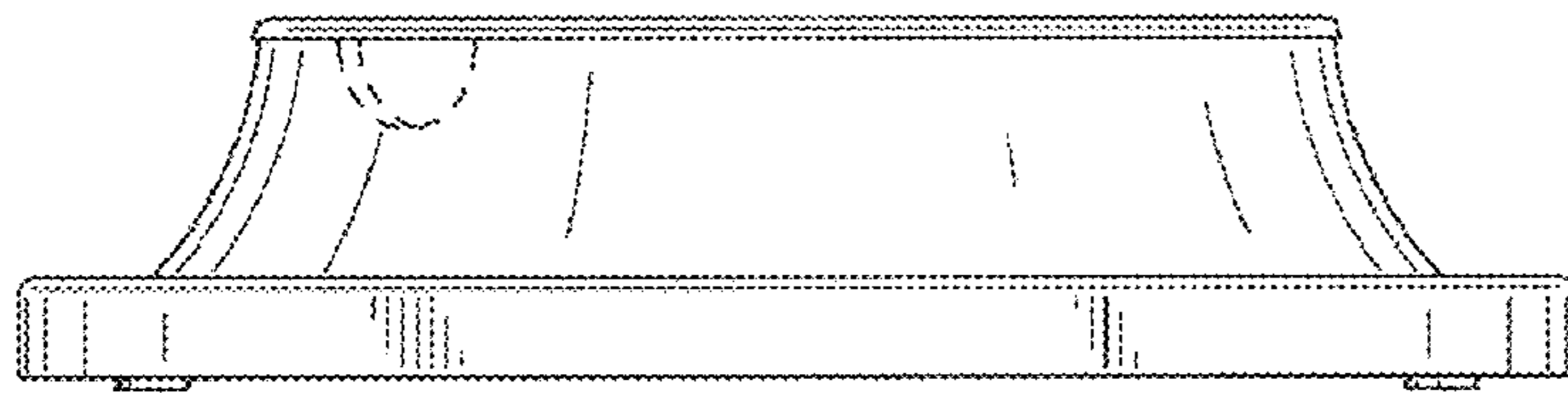


FIG. 13

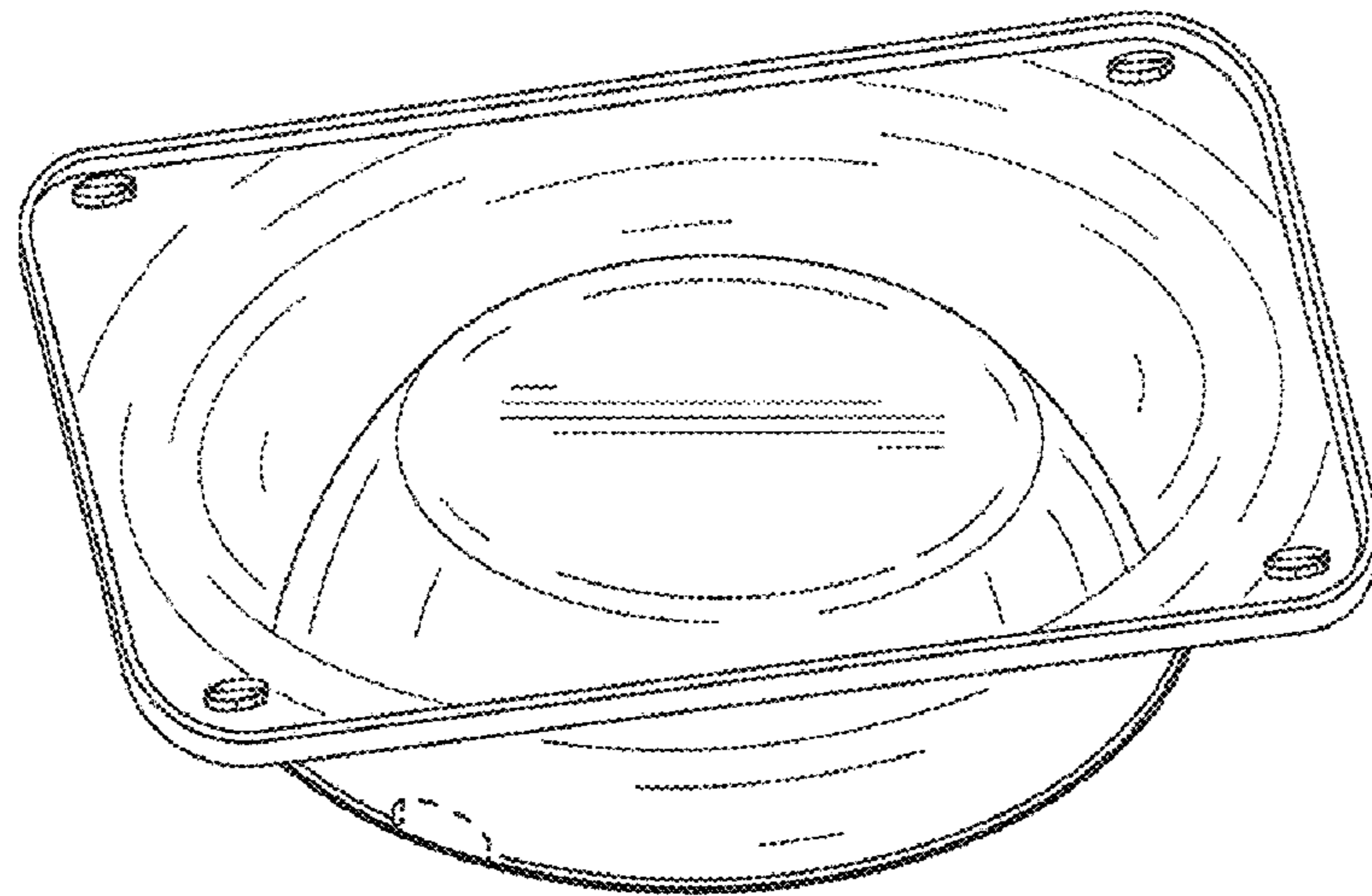


FIG. 14