



US00D659912S

(12) **United States Design Patent**
Tesfaye

(10) **Patent No.:** **US D659,912 S**

(45) **Date of Patent:** **** May 15, 2012**

(54) **GLOVE CLOSURE WITH TEE HOLDER**

(76) Inventor: **Kiros Tesfaye**, Columbia Heights, MN
(US)

(**) Term: **14 Years**

(21) Appl. No.: **29/400,703**

(22) Filed: **Aug. 31, 2011**

(51) **LOC (9) Cl.** **02-06**

(52) **U.S. Cl.** **D29/123**

(58) **Field of Classification Search** D3/221,
D3/230; D2/610, 611, 612, 613, 614, 615,
D2/616, 617, 618, 619, 620, 621, 623, 866;
D21/796; D29/113, 115, 116.2, 116.3, 117.1,
D29/117.2, 123; 2/16, 20, 21, 159, 160,
2/161.1, 161.2, 161.3, 161.4, 161.5, 161.6,
2/161.7, 161.8, 162, 169, 907, 910, 917
See application file for complete search history.

(56) **References Cited**

U.S. PATENT DOCUMENTS

D160,404	S	*	10/1950	Levine	D2/866
3,065,472	A	*	11/1962	Linnell	2/161.3
3,629,867	A	*	12/1971	Taylor	2/160
4,129,237	A	*	12/1978	Grinder	224/669
5,365,609	A	*	11/1994	Herzog	2/161.4
D394,549	S	*	5/1998	Frazier	D3/221
D436,641	S	*	1/2001	Todd et al.	D21/796
6,205,588	B1	*	3/2001	Shin	2/161.4
D439,728	S	*	4/2001	Smith	D2/876
D455,247	S	*	4/2002	DeChambeau	D2/866
6,421,836	B1	*	7/2002	Park	2/161.4
6,473,906	B2	*	11/2002	Kambe et al.	2/161.2
6,505,350	B2	*	1/2003	Litke	2/161.4
6,543,063	B2	*	4/2003	Greer	2/239
6,964,063	B2	*	11/2005	Bamber	2/161.1
6,973,674	B2	*	12/2005	Jackson, Jr.	2/161.2
D520,740	S	*	5/2006	Giordano et al.	D3/221
7,117,541	B2	*	10/2006	Hozack	2/161.5
D567,320	S	*	4/2008	Pelosi	D21/796

7,370,372	B1	*	5/2008	Brewer	2/160
D588,754	S	*	3/2009	Litke et al.	D29/123
D617,549	S	*	6/2010	Bye	D3/221

(Continued)

Primary Examiner — Karen E Eldridge Powers

(74) *Attorney, Agent, or Firm* — Dave Alan Lingbeck

(57) **CLAIM**

The ornamental design for a glove closure with tee holder, as shown and described.

DESCRIPTION

FIG. 1 is a top rear perspective view of the glove closure with tee holder, showing my new design.

FIG. 2 is an enlarged bottom front perspective view of the glove closure with tee holder.

FIG. 3 is an enlarged left side elevation view of the glove closure with tee holder.

FIG. 4 is an enlarged right side elevation view of the glove closure with tee holder.

FIG. 5 is a top rear perspective view of a second embodiment of the glove closure with tee holder.

FIG. 6 is an enlarged left side elevation view of the second embodiment of the glove closure with tee holder.

FIG. 7 is an enlarged right side elevation view of the second embodiment of the glove closure with tee holder.

FIG. 8 is an enlarged back end elevation view of the glove closure with tee holder.

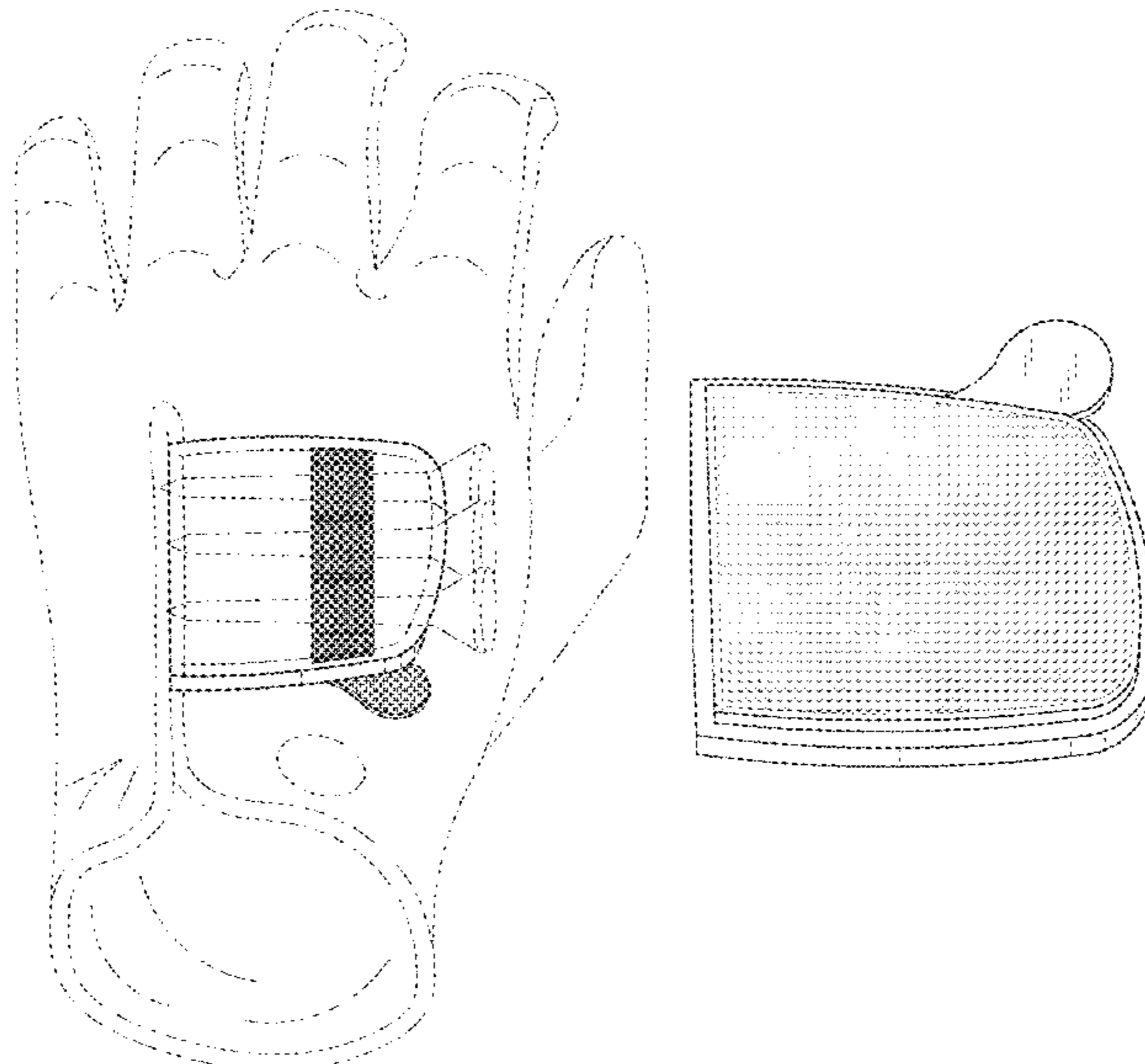
FIG. 9 is a top rear perspective view of a third embodiment of the glove closure with tee holder.

FIG. 10 is an enlarged left side elevation view of the third embodiment of the glove closure with tee holder; and,

FIG. 11 is an enlarged right side elevation view of the third embodiment of the glove closure with tee holder.

The uniformly-segmented broken lines shown on the glove closure with the tee holder represent unclaimed features. The golf glove shown in dash-dot-dot style broken lines represents environmental subject matter that forms no part of the claimed design.

1 Claim, 6 Drawing Sheets



US D659,912 S

Page 2

U.S. PATENT DOCUMENTS		2002/0194668 A1*	12/2002	Kwon	2/161.4		
D641,108 S *	7/2011 Voravan	D29/123	2003/0014806 A1*	1/2003	Canion	2/161.4
2002/0010956 A1*	1/2002	Roland	2/161.4	* cited by examiner			

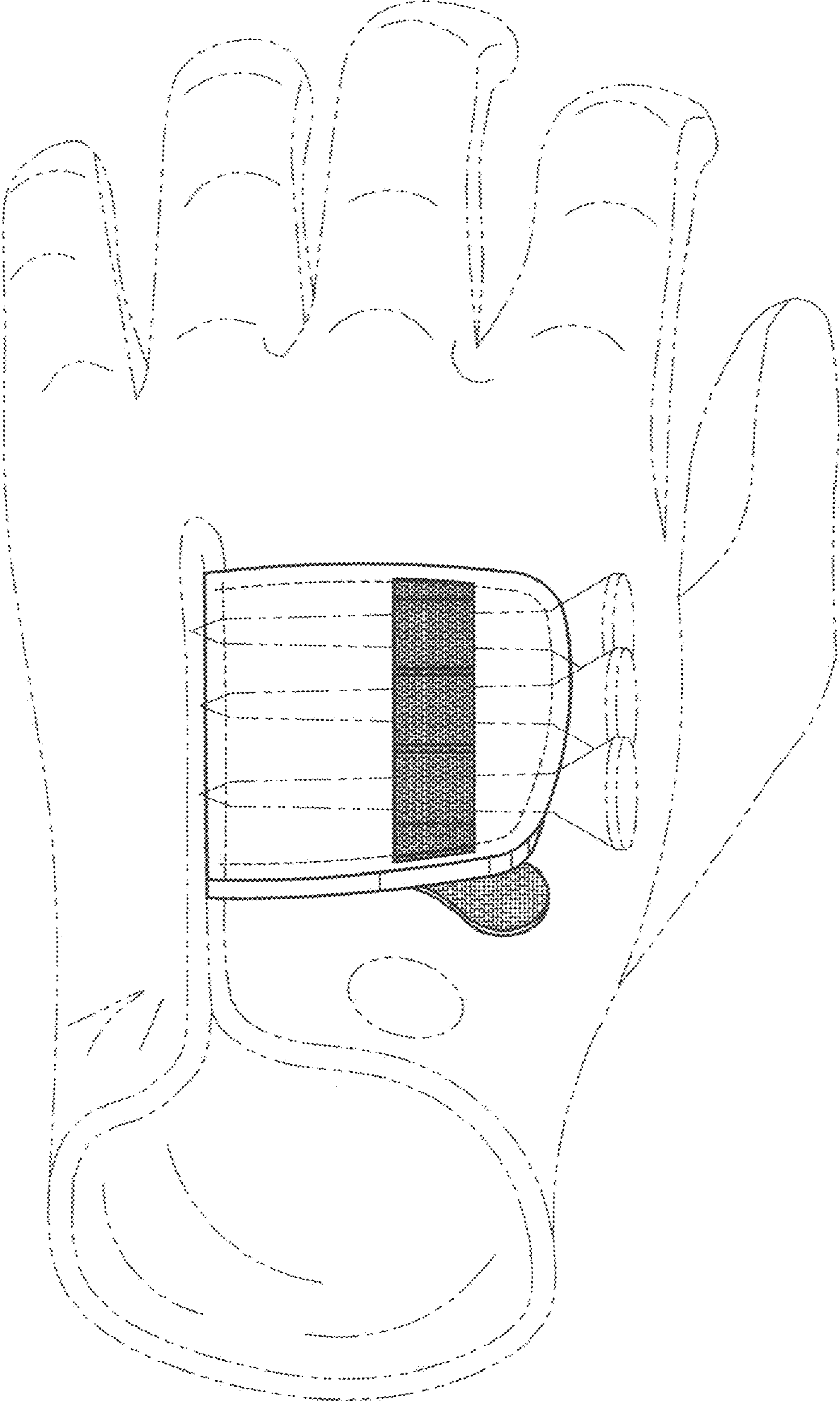


FIG. 1

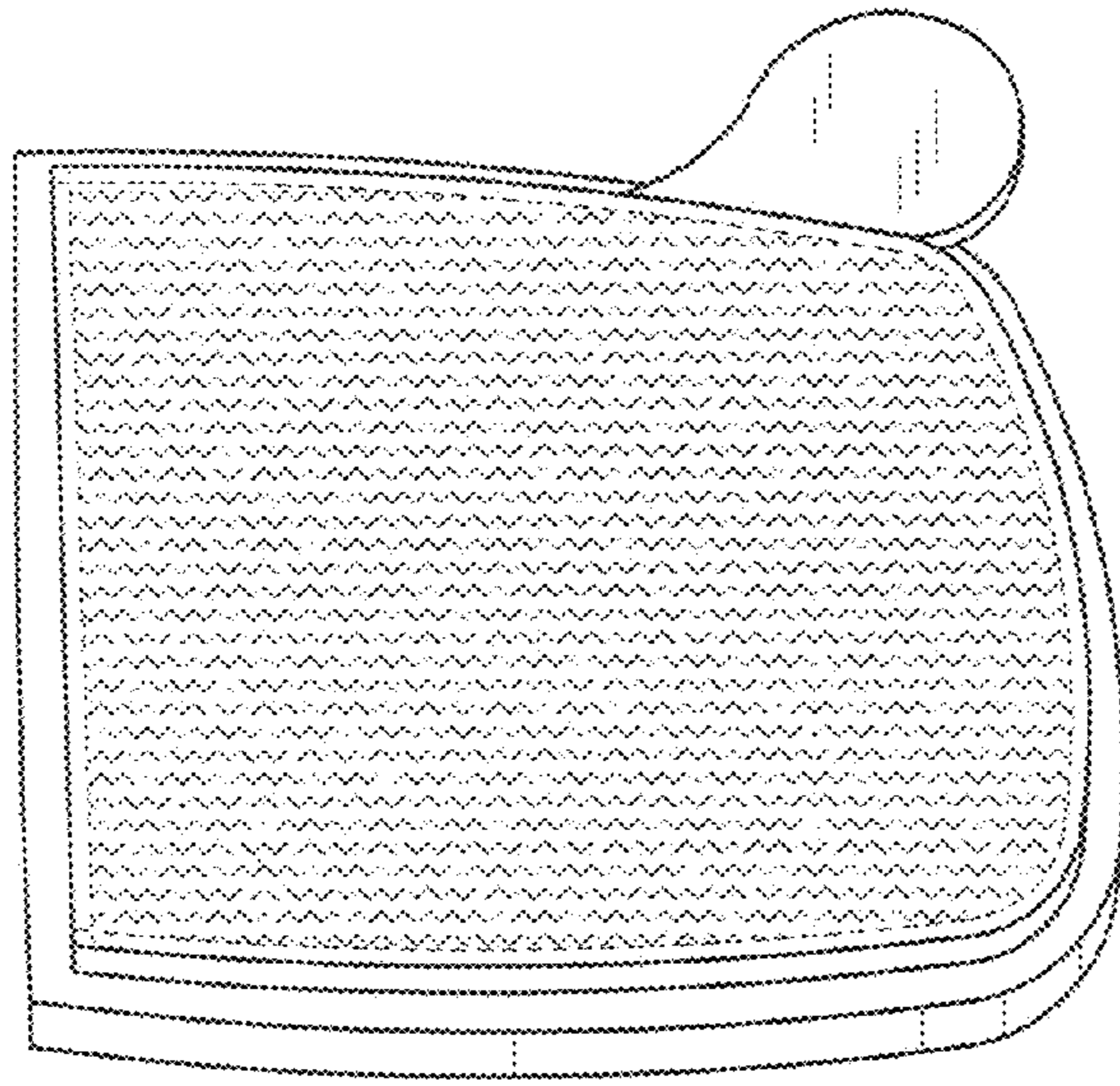


FIG. 2

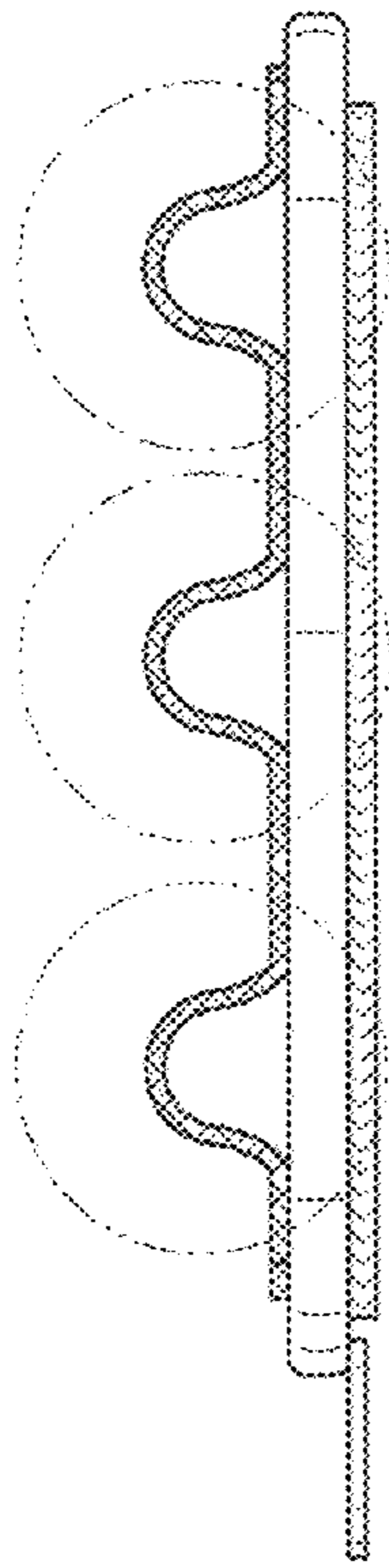


FIG. 4

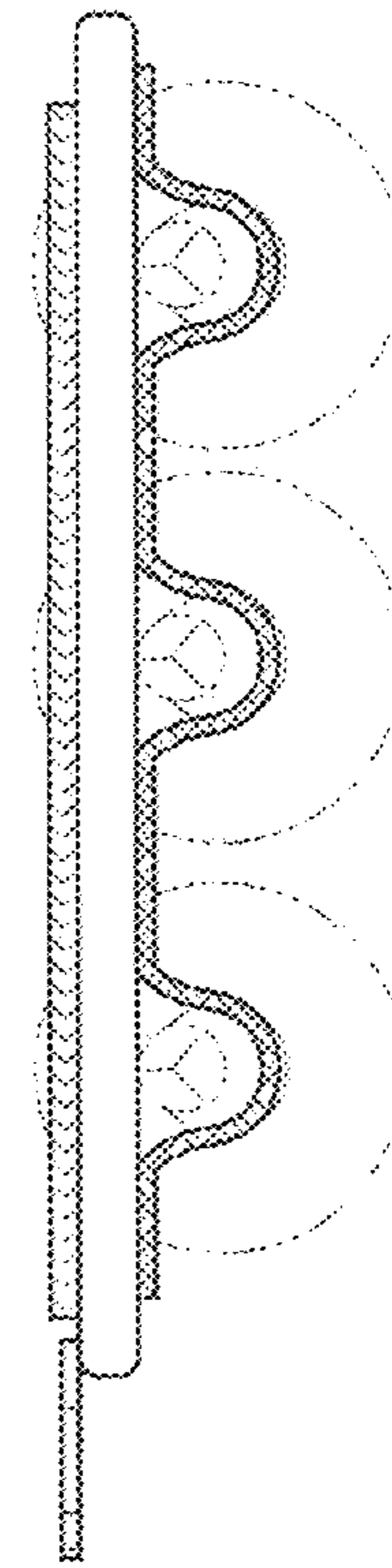


FIG. 3

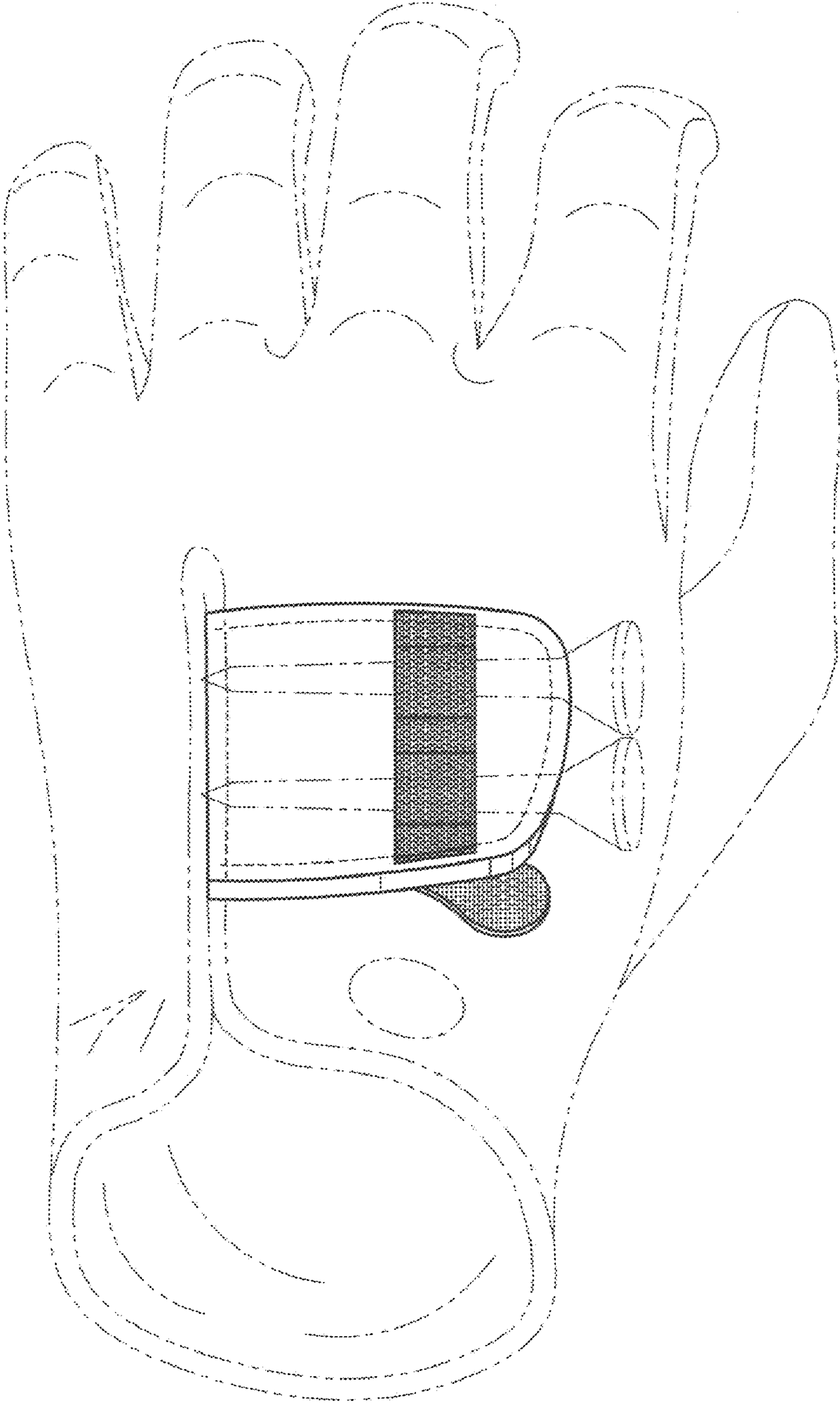


FIG. 5

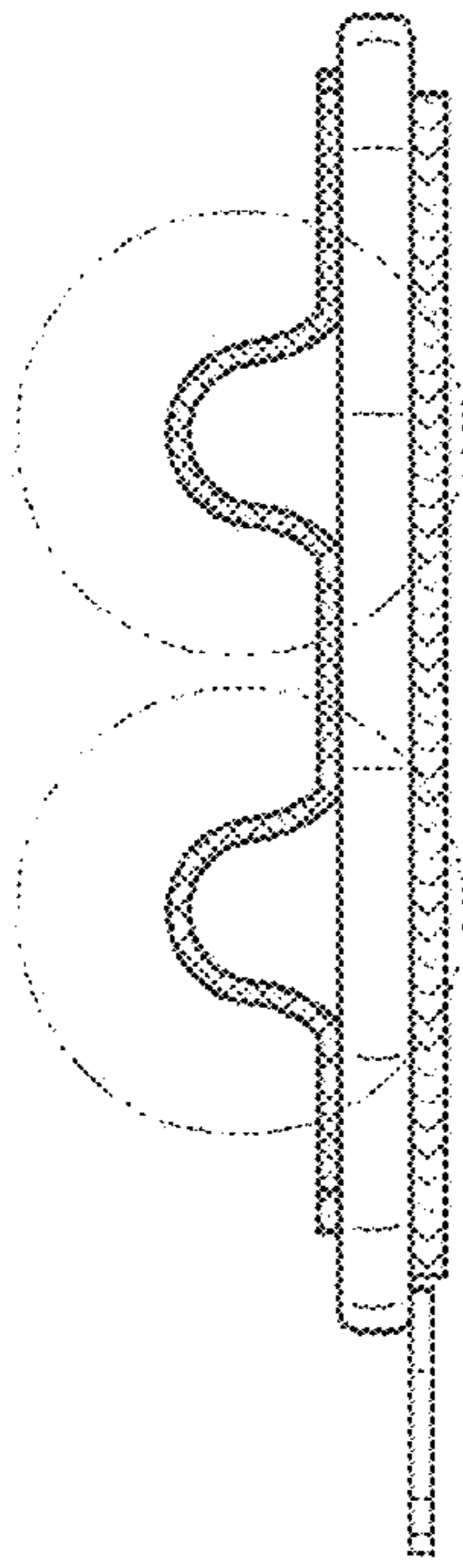


FIG. 7

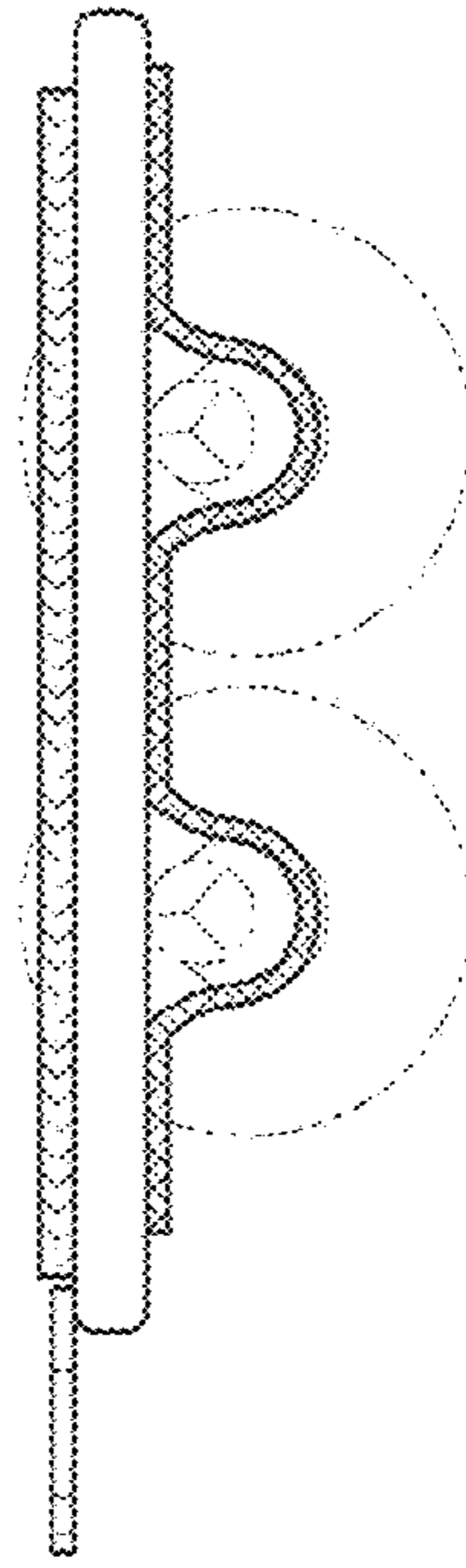


FIG. 6

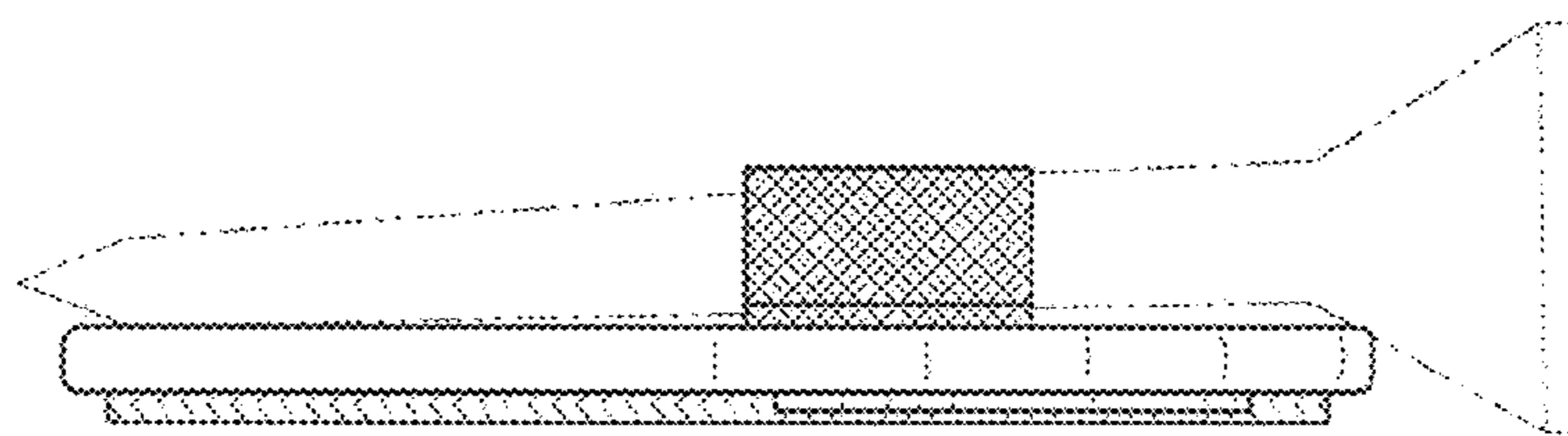


FIG. 8

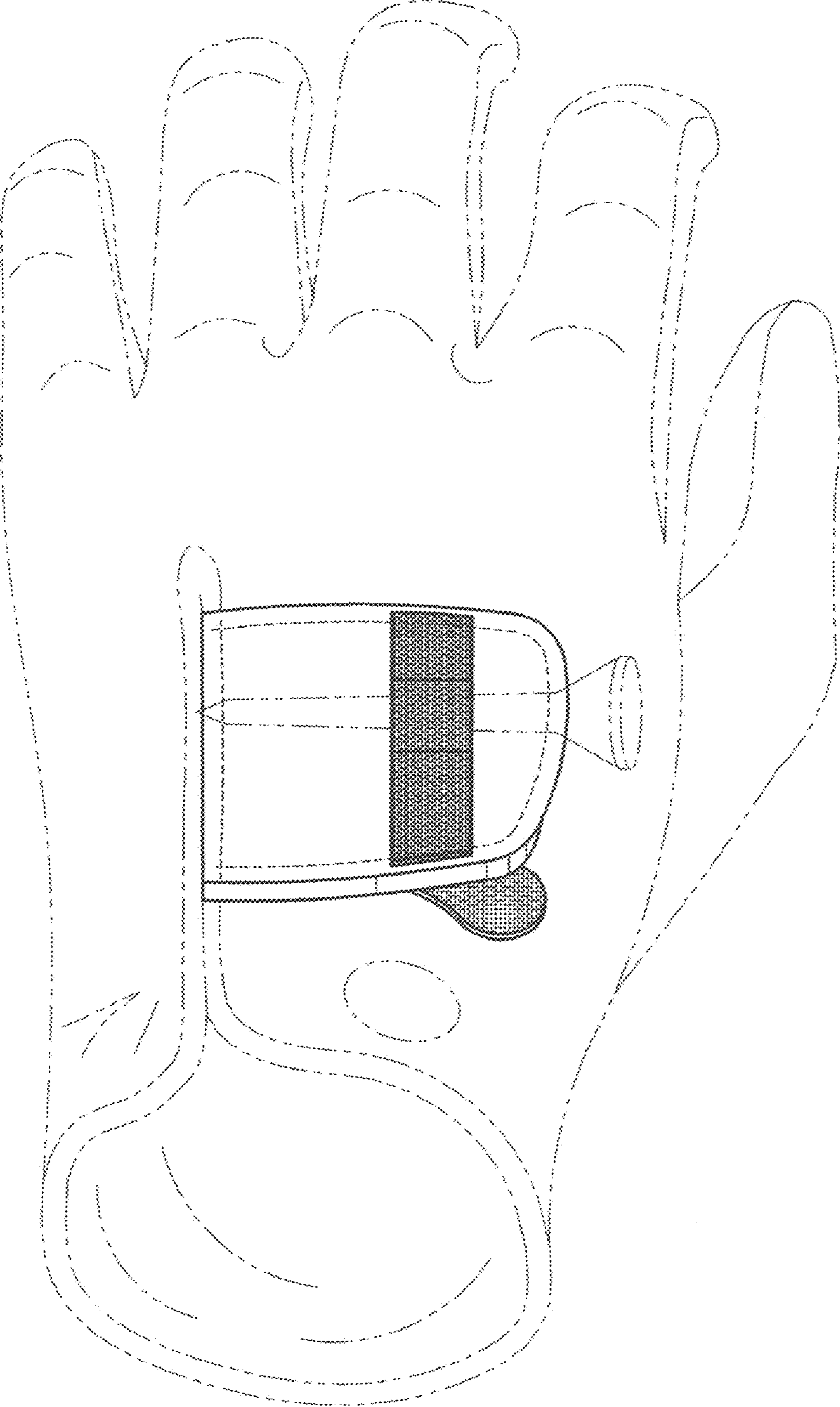


FIG. 9

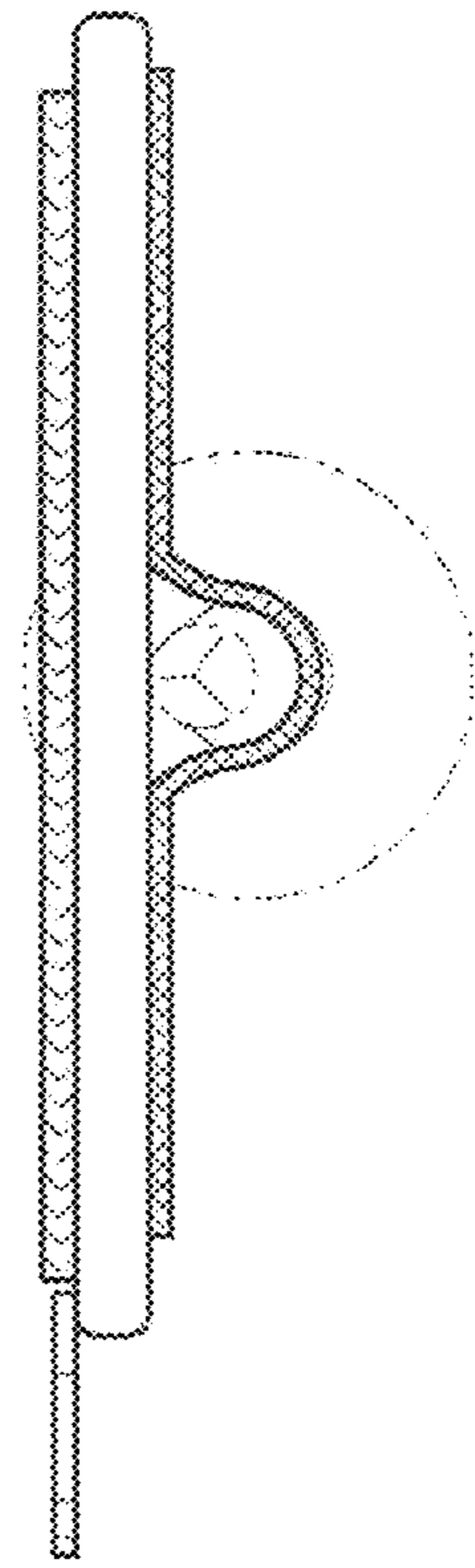


FIG. 10

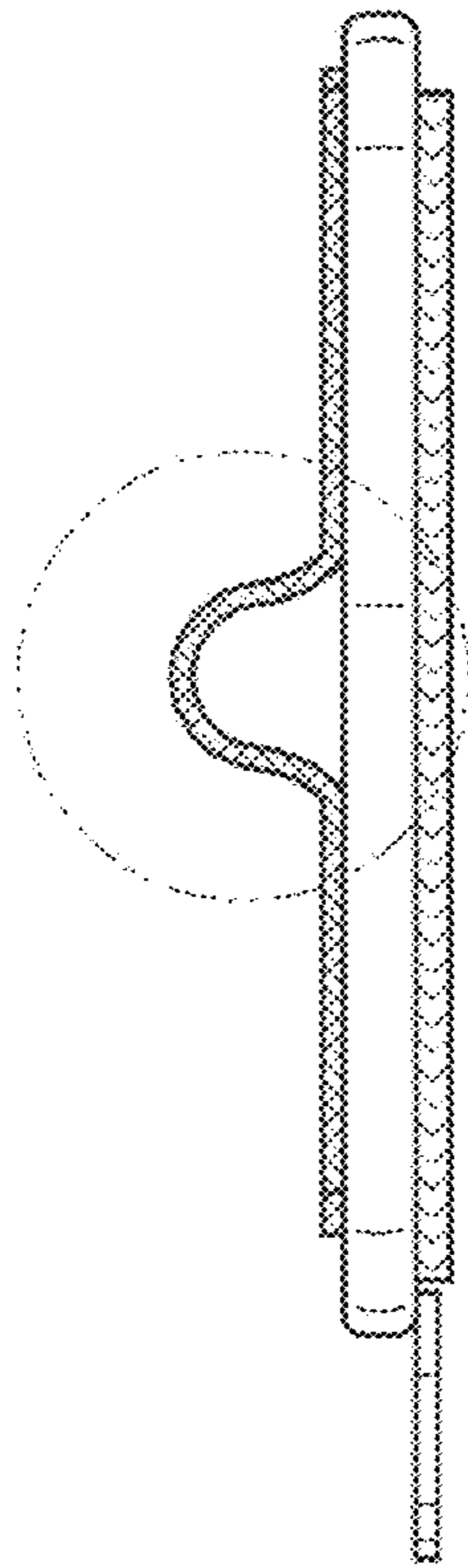


FIG. 11