



US00D659907S

(12) **United States Design Patent**
Lin

(10) **Patent No.:** **US D659,907 S**

(45) **Date of Patent:** **** May 15, 2012**

(54) **MASCARA CONTAINER**

(76) Inventor: **Susan F. Lin**, San Mateo, CA (US)

(**) Term: **14 Years**

(21) Appl. No.: **29/394,940**

(22) Filed: **Jun. 23, 2011**

(51) **LOC (9) Cl.** **28-03**

(52) **U.S. Cl.** **D28/76; D9/504; D4/120**

(58) **Field of Classification Search** **D28/73,**
D28/76-84; D4/119, 120, 127, 128, 133;
206/581, 823; 132/286-318; 401/17, 18,
401/126-130; D9/503-504

See application file for complete search history.

(56) **References Cited**

U.S. PATENT DOCUMENTS

D231,941	S	*	6/1974	Burchette	D28/88
D364,486	S	*	11/1995	Tsai	D28/88
6,702,494	B2	*	3/2004	Dumler et al.	401/17
D616,151	S	*	5/2010	Kojima et al.	D28/76
D633,653	S	*	3/2011	Lee	D28/76

8,043,017	B2	*	10/2011	Beierwaltes et al.	401/17
2001/0047951	A1	*	12/2001	O'Connor	206/575
2003/0185616	A1	*	10/2003	Dumler et al.	401/17
2004/0084343	A1	*	5/2004	An	206/385
2005/0019084	A1	*	1/2005	Gueret	401/25

* cited by examiner

Primary Examiner — Jennifer Rivard

(74) *Attorney, Agent, or Firm* — John R. Kasha; Kasha Law LLC

(57) **CLAIM**

The ornamental design for a mascara container, as shown and described.

DESCRIPTION

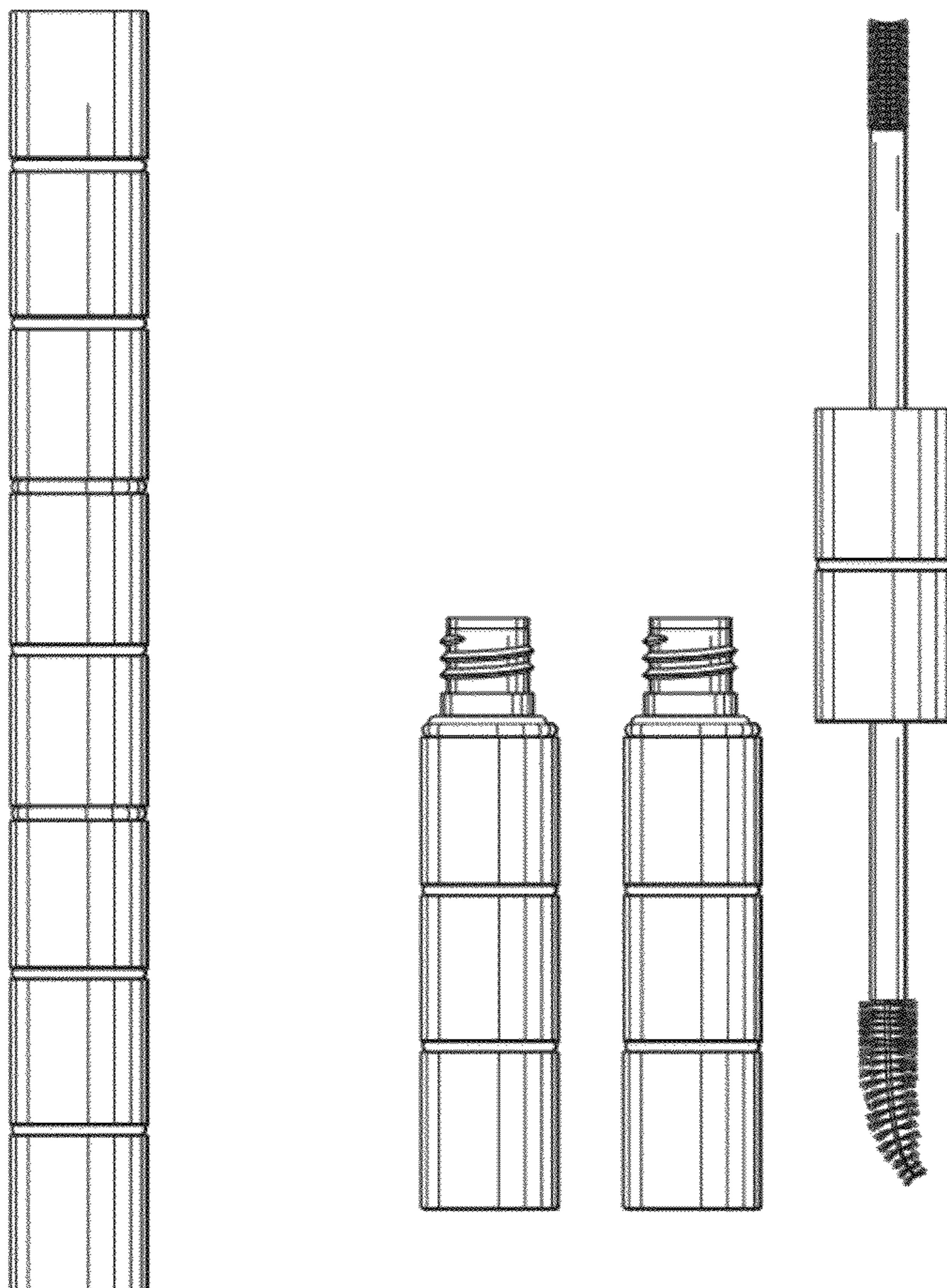
FIG. 1 is an assembled side view of a mascara container of the present invention, the opposite side view being a mirror image thereof;

FIG. 2 is a disassembled side view of the mascara container, and a view of the mascara brush heads;

FIG. 3 is a top view of the mascara container; and,

FIG. 4 is a bottom view of the mascara container.

1 Claim, 1 Drawing Sheet



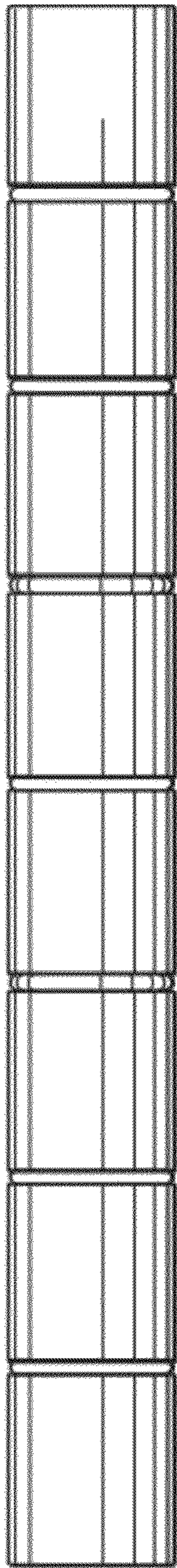


FIG. 1

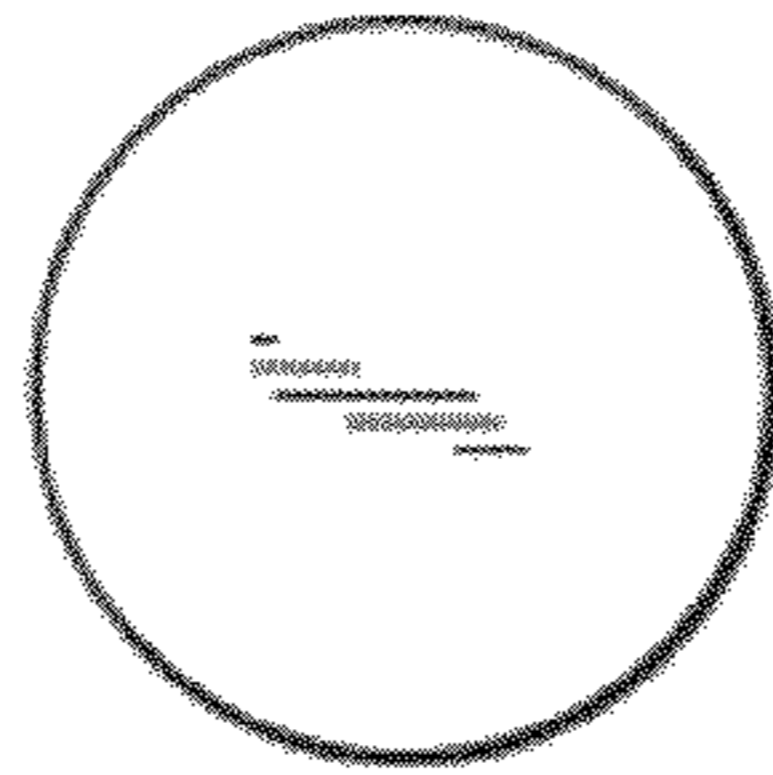


FIG. 3

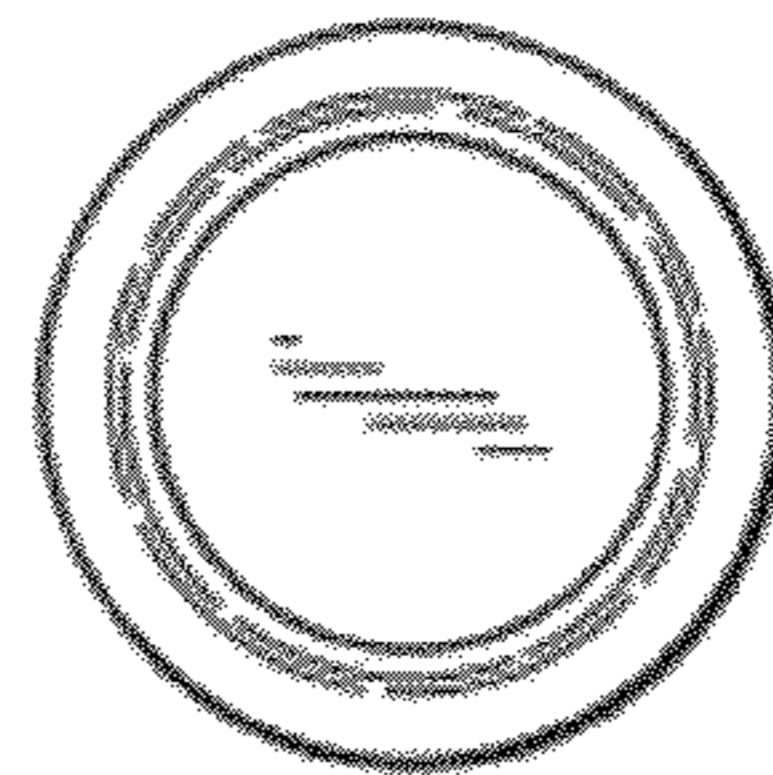


FIG. 4

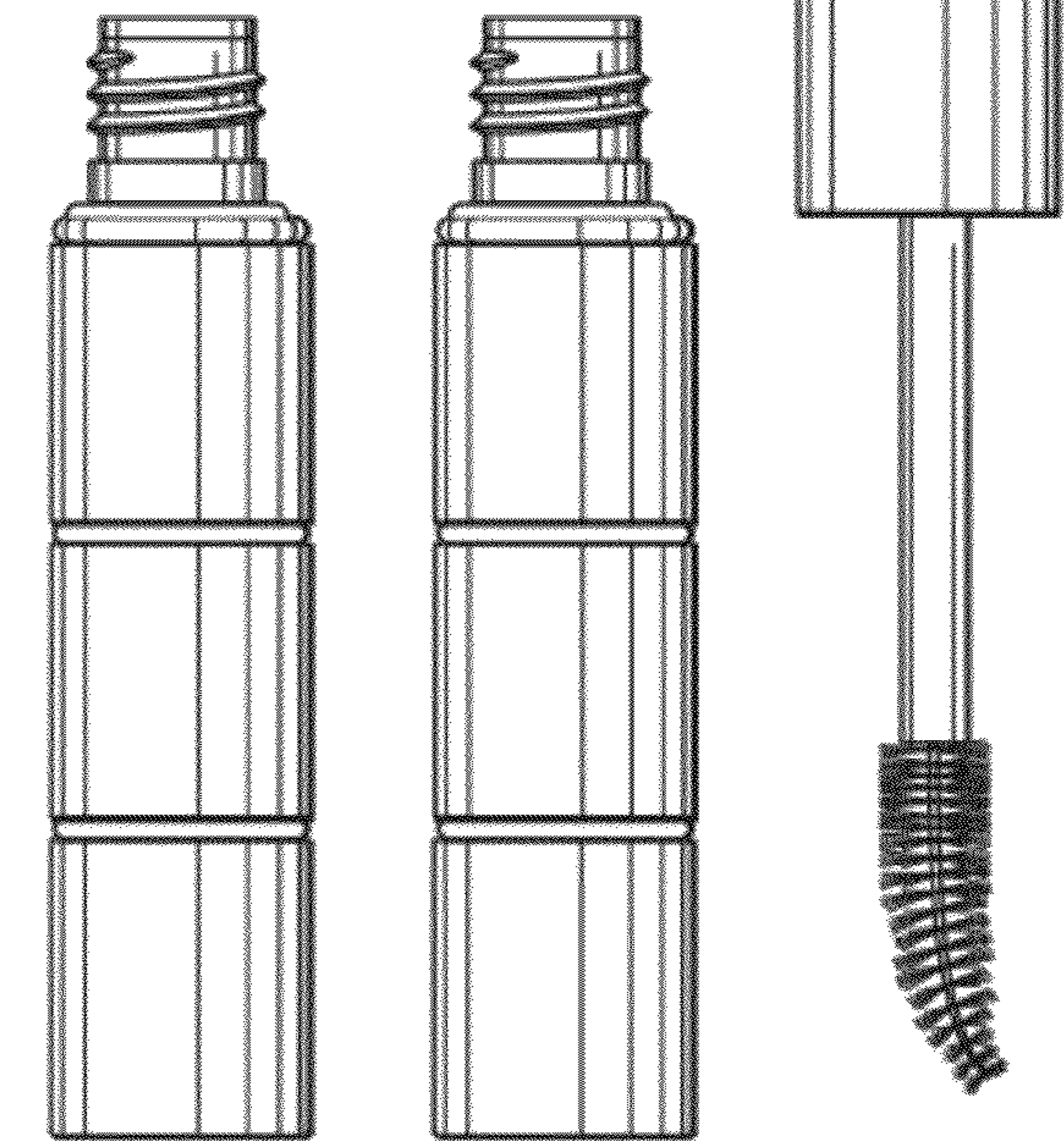


FIG. 2