



US00D659906S

(12) **United States Design Patent**  
**Whitman**

(10) **Patent No.:** **US D659,906 S**

(45) **Date of Patent:** **\*\* May 15, 2012**

(54) **HEAD BAND ORGANIZER**

(76) Inventor: **Susan K. Whitman**, Akron, IA (US)

(\*\*) Term: **14 Years**

(21) Appl. No.: **29/401,878**

(22) Filed: **Sep. 16, 2011**

(51) **LOC (9) Cl.** ..... **28-03**

(52) **U.S. Cl.** ..... **D28/73; D6/513**

(58) **Field of Classification Search** ..... D28/73;  
211/13.1, 85.2, 85.3, 113; D6/513, 553,  
D6/468; 206/823, 581, 495

See application file for complete search history.

(56) **References Cited**

U.S. PATENT DOCUMENTS

|           |   |   |         |          |       |          |
|-----------|---|---|---------|----------|-------|----------|
| D166,060  | S | * | 3/1952  | Aron     | ..... | 211/85.3 |
| 4,966,287 | A |   | 10/1990 | Snyder   |       |          |
| 5,031,758 | A | * | 7/1991  | Gonzalez | ..... | 211/85.2 |
| D323,755  | S | * | 2/1992  | Harney   | ..... | D6/513   |
| 5,117,988 | A |   | 6/1992  | Daniels  |       |          |
| D345,667  | S | * | 4/1994  | Rhea     | ..... | D6/513   |
| 5,303,855 | A |   | 4/1994  | Veale    |       |          |
| 5,452,806 | A | * | 9/1995  | Campas   | ..... | 211/85.2 |
| 6,076,685 | A |   | 6/2000  | Ramirez  |       |          |

|              |    |   |        |         |       |         |
|--------------|----|---|--------|---------|-------|---------|
| D428,533     | S  | * | 7/2000 | Carroll | ..... | D28/73  |
| 6,705,468    | B1 | * | 3/2004 | Hall    | ..... | 206/581 |
| D622,448     | S  | * | 8/2010 | Whitman | ..... | D28/73  |
| 2009/0032044 | A1 | * | 2/2009 | Grimm   | ..... | 206/581 |

\* cited by examiner

*Primary Examiner* — Jennifer Rivard

(57) **CLAIM**

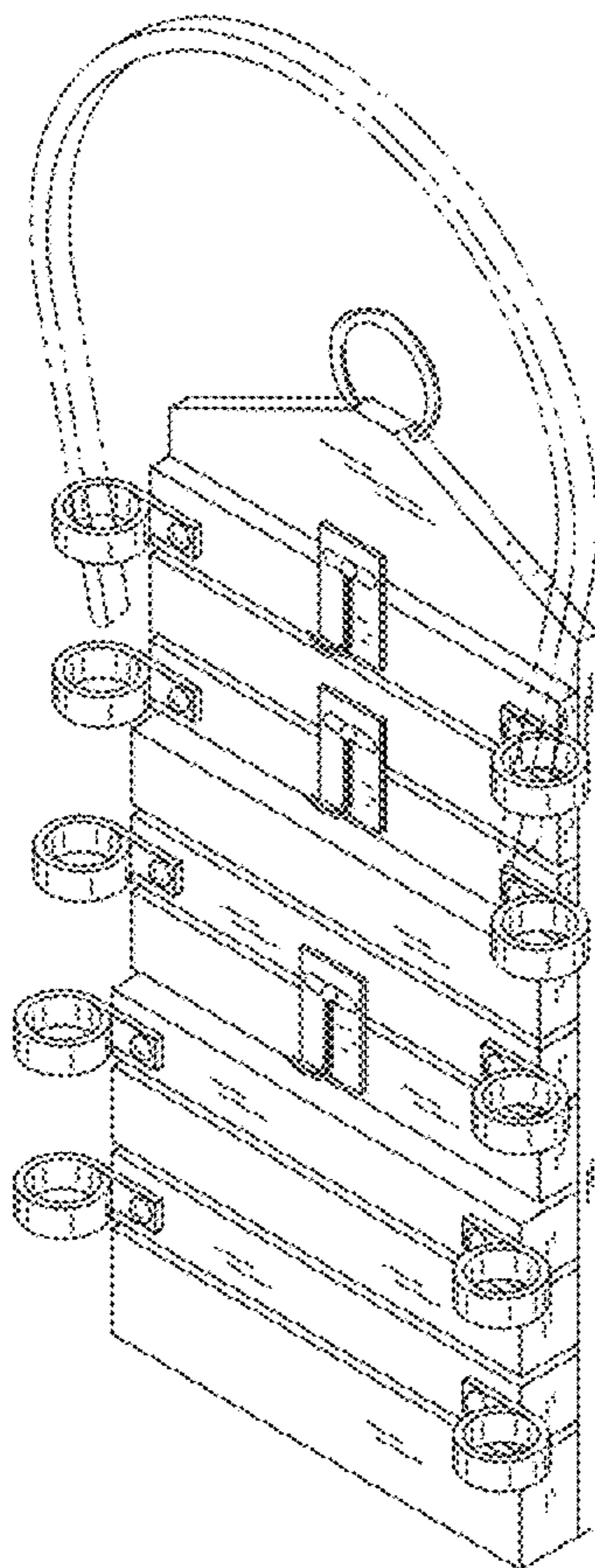
The ornamental design for a head band organizer, as shown and described.

**DESCRIPTION**

FIG. 1 is a front elevation view of a head band organizer showing my new design;  
FIG. 2 is a rear elevation view thereof;  
FIG. 3 is a right elevation view thereof, the opposite side being a mirror image of the shown;  
FIG. 4 is a top plan view thereof;  
FIG. 5 is a bottom plan view thereof; and,  
FIG. 6 is an isometric view thereof.

The broken lines in FIG. 6 of the drawings depict a head band as environmental subject matter only and form no part of the claimed design.

**1 Claim, 4 Drawing Sheets**



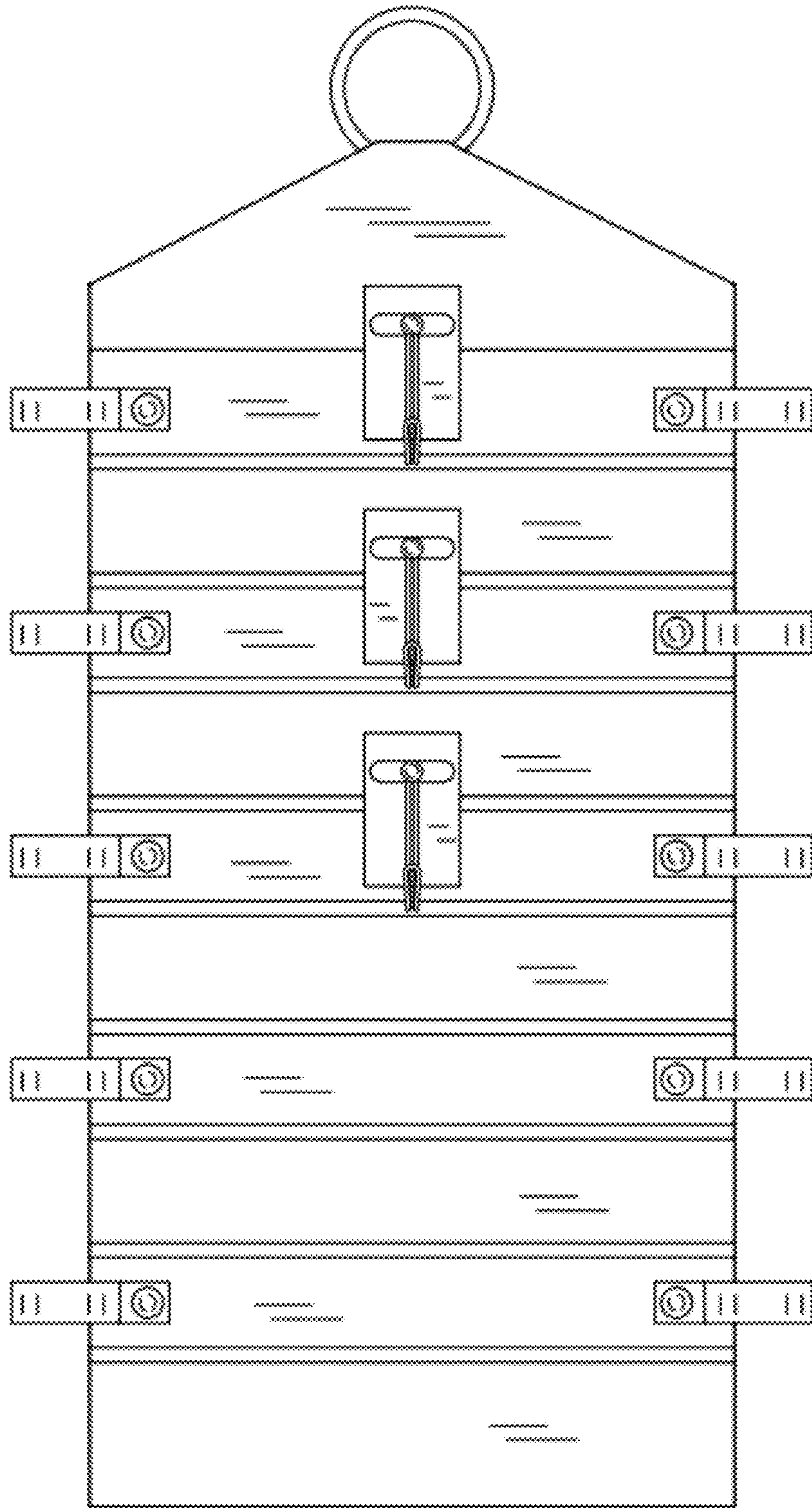


FIG. 1

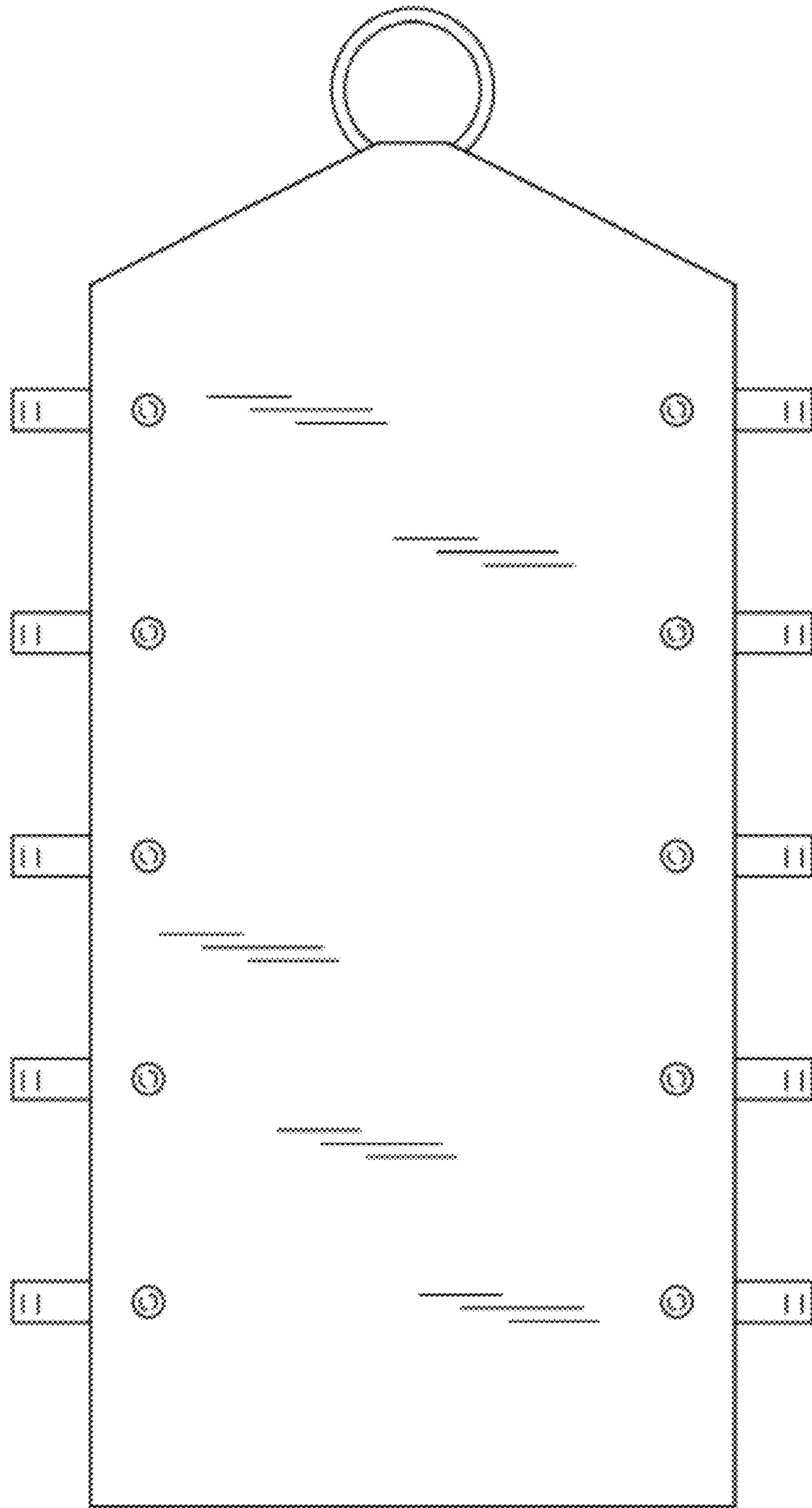


FIG. 2

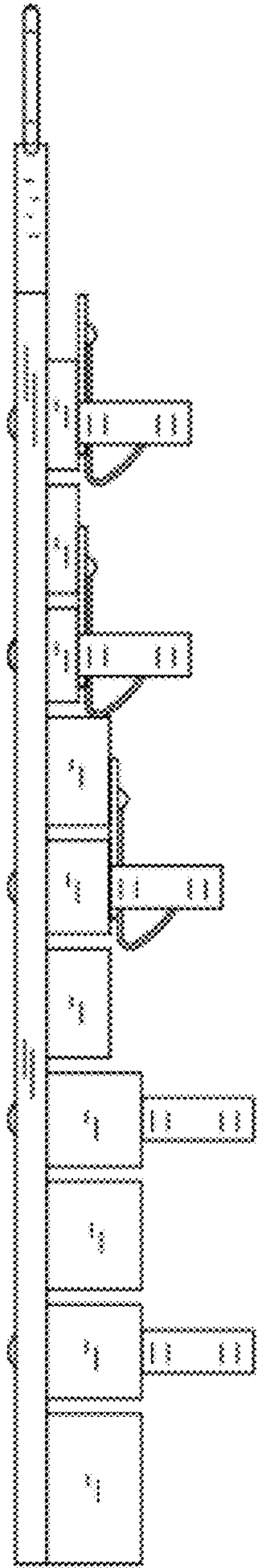


FIG. 3

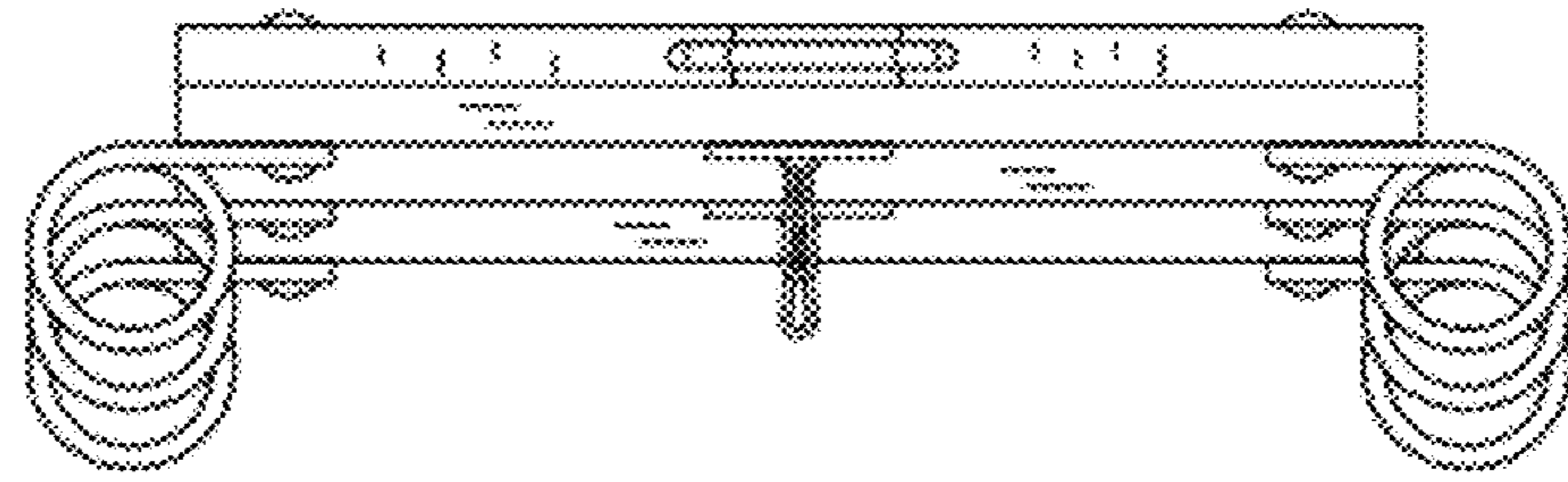


FIG. 4

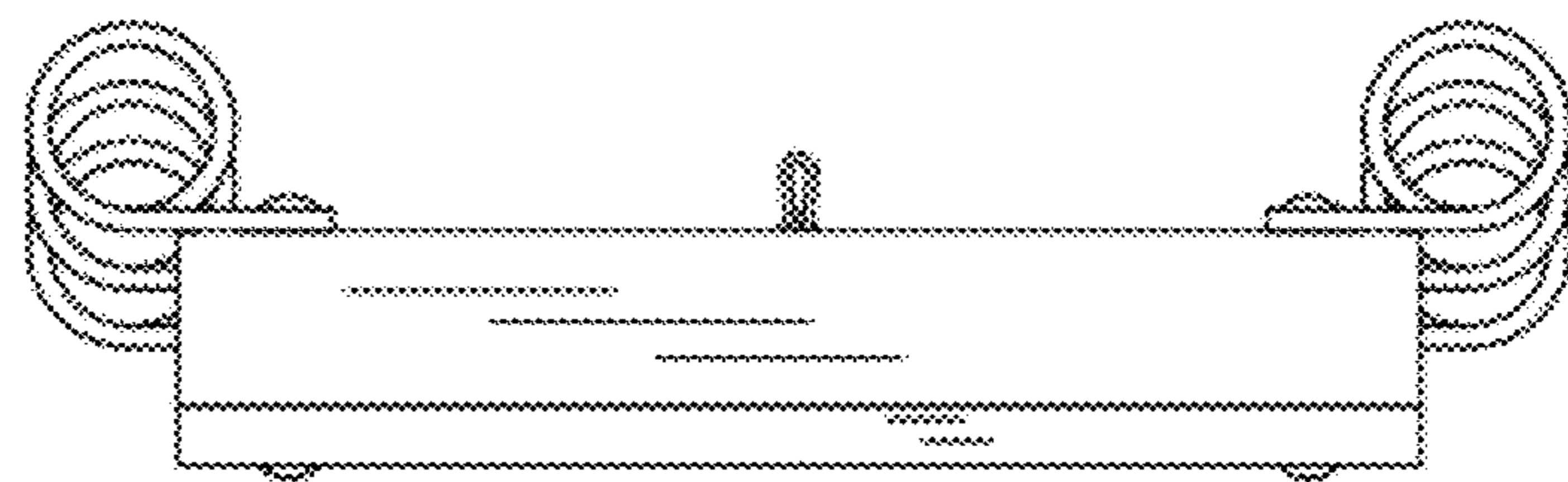


FIG. 5

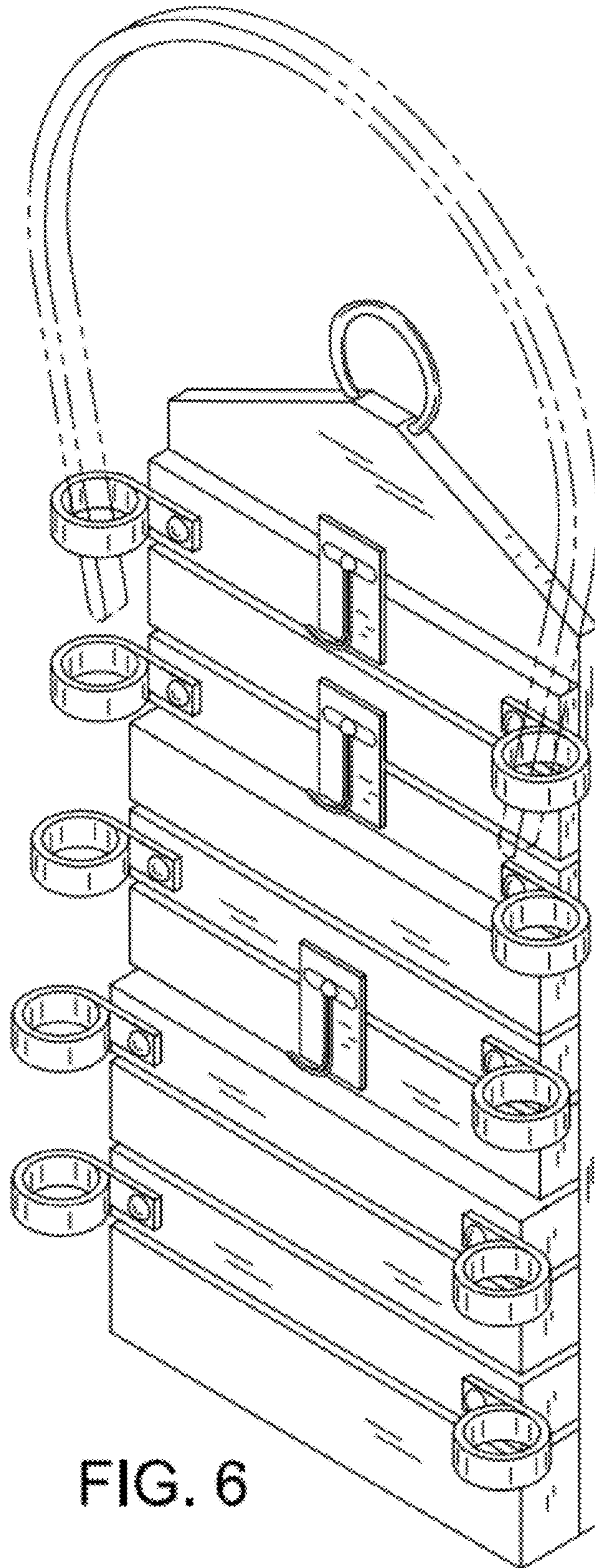


FIG. 6