



US00D659900S

(12) **United States Design Patent**  
**Yu**

(10) **Patent No.:** **US D659,900 S**

(45) **Date of Patent:** **\*\* May 15, 2012**

(54) **ARM ANCHOR**

(75) Inventor: **Scott S. Yu**, Mill Valley, CA (US)

(73) Assignee: **Vode Lighting LLC**, Sonoma, CA (US)

(\*\*) Term: **14 Years**

(21) Appl. No.: **29/377,733**

(22) Filed: **Oct. 25, 2010**

**Related U.S. Application Data**

(63) Continuation of application No. 12/838,338, filed on Jul. 16, 2010.

(51) **LOC (9) Cl.** ..... **26-99**

(52) **U.S. Cl.** ..... **D26/138**

(58) **Field of Classification Search** ..... D26/2,  
D26/88, 93, 103, 106, 69, 67, 66, 64, 63,  
D26/65, 71, 75, 76, 80, 120, 121, 124, 128,  
D26/118, 138, 142, 122, 113, 154, 156, 90,  
D26/85, 86, 84, 81, 87; 362/183, 294, 295,  
362/249.01-249.11; D13/102, 103, 179,  
D13/180; D25/127, 129, 38; 361/704; 220/570,  
220/695, 756; D9/430, 416, 424, 737; D32/53.1,  
D32/53, 54; 244/118.5, 118.6; 297/245;  
D6/356, 491, 492, 519, 580; D23/271, 286,  
D23/234; D12/345; D8/349, 354, 373  
See application file for complete search history.

(56) **References Cited**

**U.S. PATENT DOCUMENTS**

6,474,846	B1 *	11/2002	Kelmelis et al.	362/365
D476,108	S *	6/2003	Lecluze	D26/74
6,655,813	B1 *	12/2003	Ng	362/148
D495,087	S *	8/2004	Brown et al.	D26/118
D516,229	S *	2/2006	Tang	D26/2
7,063,441	B2 *	6/2006	Kramer et al.	362/240
D527,119	S *	8/2006	Maxik et al.	D26/2

7,121,696	B2 *	10/2006	Whitfield, Sr.	362/365
D533,959	S *	12/2006	Wambaugh et al.	D26/138
D536,473	S *	2/2007	Tan	D26/93
7,234,846	B2 *	6/2007	Chen	362/365
D548,390	S *	8/2007	Lecluze	D26/138
D564,698	S *	3/2008	Homann	D26/118
7,390,104	B2 *	6/2008	Coushaine	362/184
D581,554	S *	11/2008	To et al.	D26/2
D581,572	S *	11/2008	Levine	D26/63
D595,005	S *	6/2009	Chou	D26/74
D599,951	S *	9/2009	Pickard et al.	D26/138
D610,280	S *	2/2010	Hua	D26/24
D622,434	S *	8/2010	Ward et al.	D26/74
2006/0176703	A1 *	8/2006	Cayton et al.	362/350
2008/0112168	A1 *	5/2008	Pickard et al.	362/247
2009/0201683	A1 *	8/2009	Chuan	362/294

\* cited by examiner

*Primary Examiner* — Kevin Rudzinski

(74) *Attorney, Agent, or Firm* — Antero & Tormey LLP; Pete Tormey; Richard Moerschell

(57) **CLAIM**

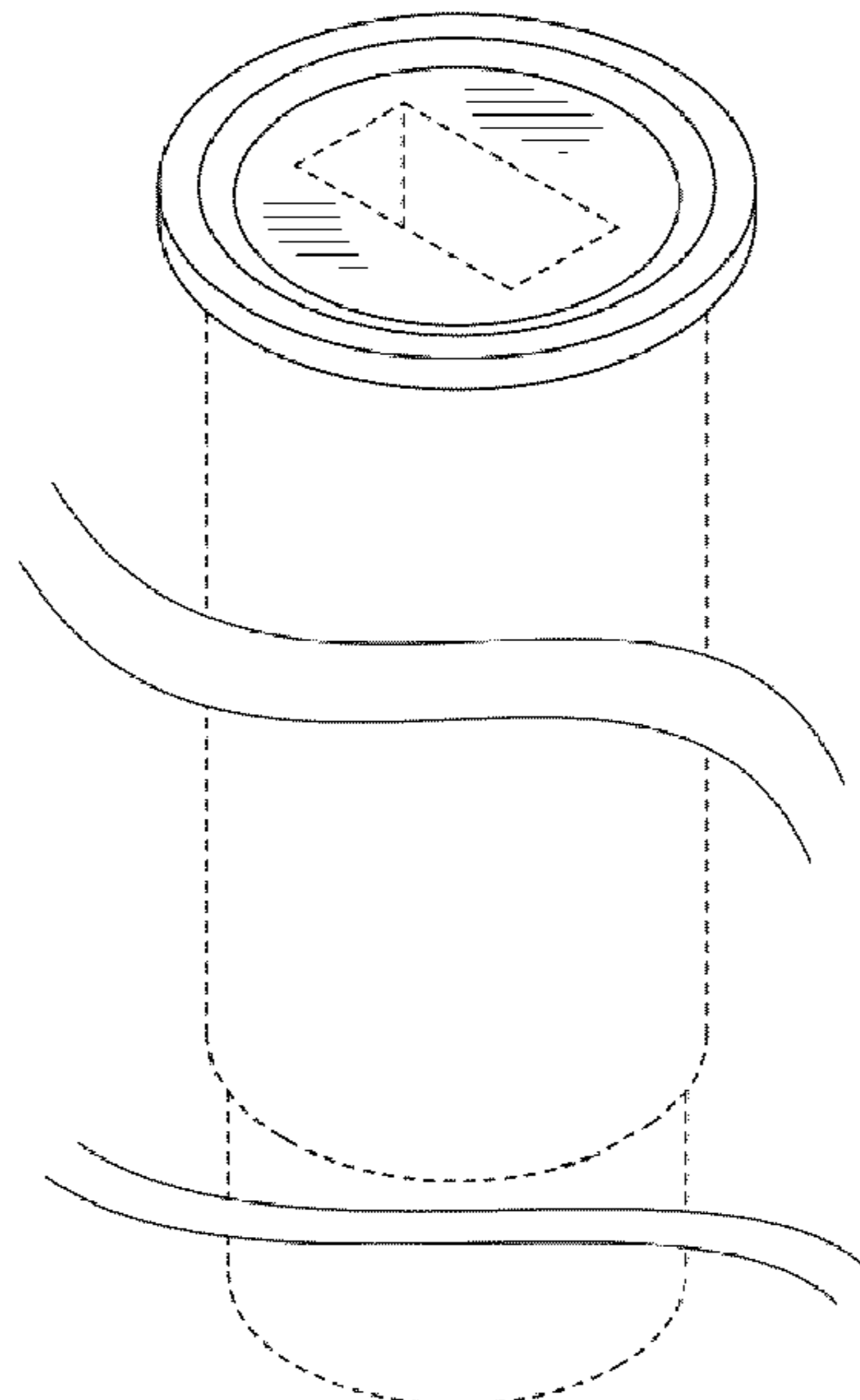
The ornamental design of an arm anchor, as shown and described.

**DESCRIPTION**

FIG. 1 is a perspective view of an arm anchor according to the present invention;  
FIG. 2 is a right side view thereof;  
FIG. 3 is a left side view thereof;  
FIG. 4 is a front view thereof;  
FIG. 5 is a back view thereof;  
FIG. 6 is a top view thereof;  
FIG. 7 is a bottom view thereof; and,  
FIG. 8 is a cross section view thereof along the line 8-8 of FIG. 6.

The broken lines shown in the drawings illustrate unclaimed portions of the arm anchor and form no part of the claimed design.

**1 Claim, 8 Drawing Sheets**



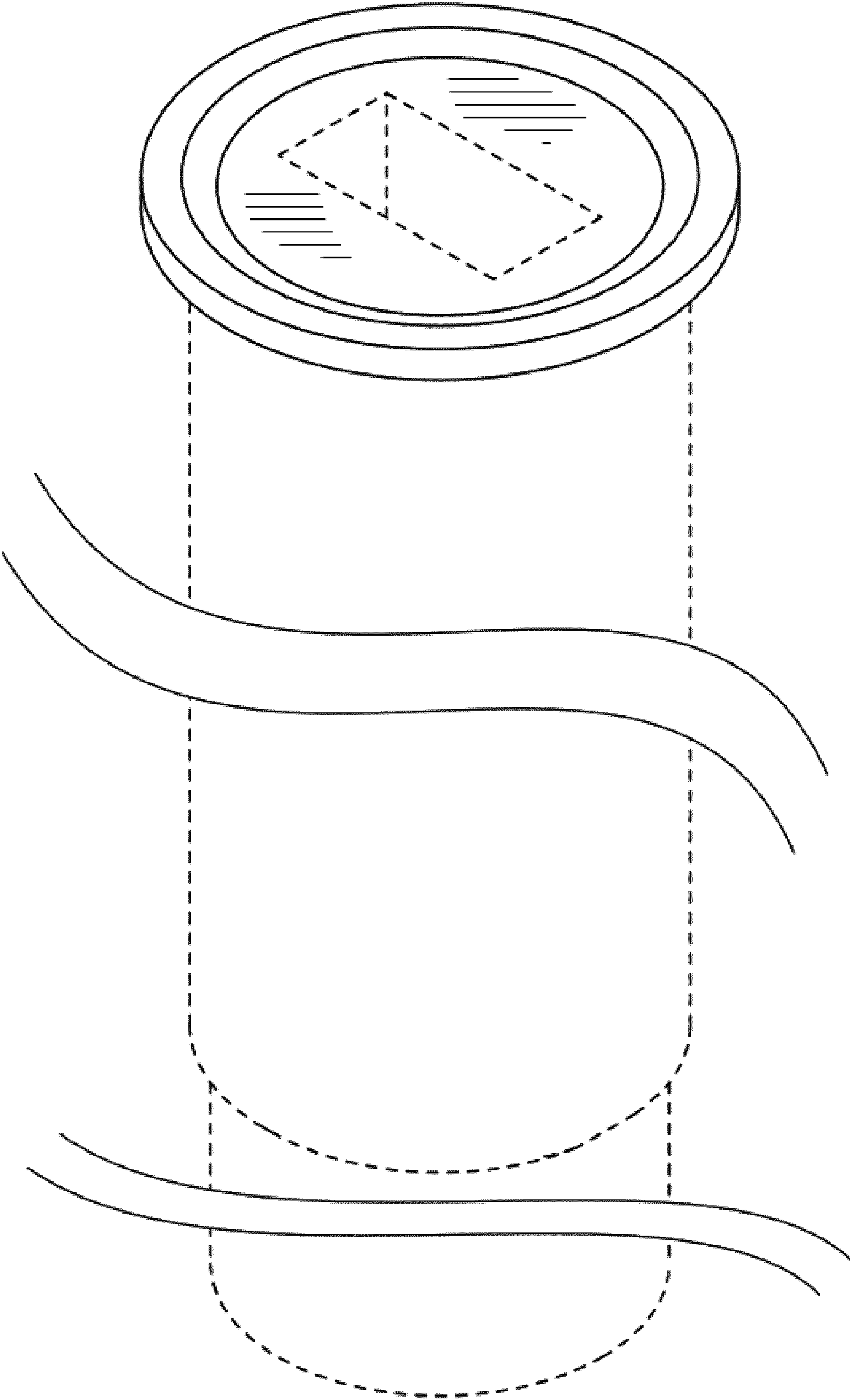


FIGURE 1

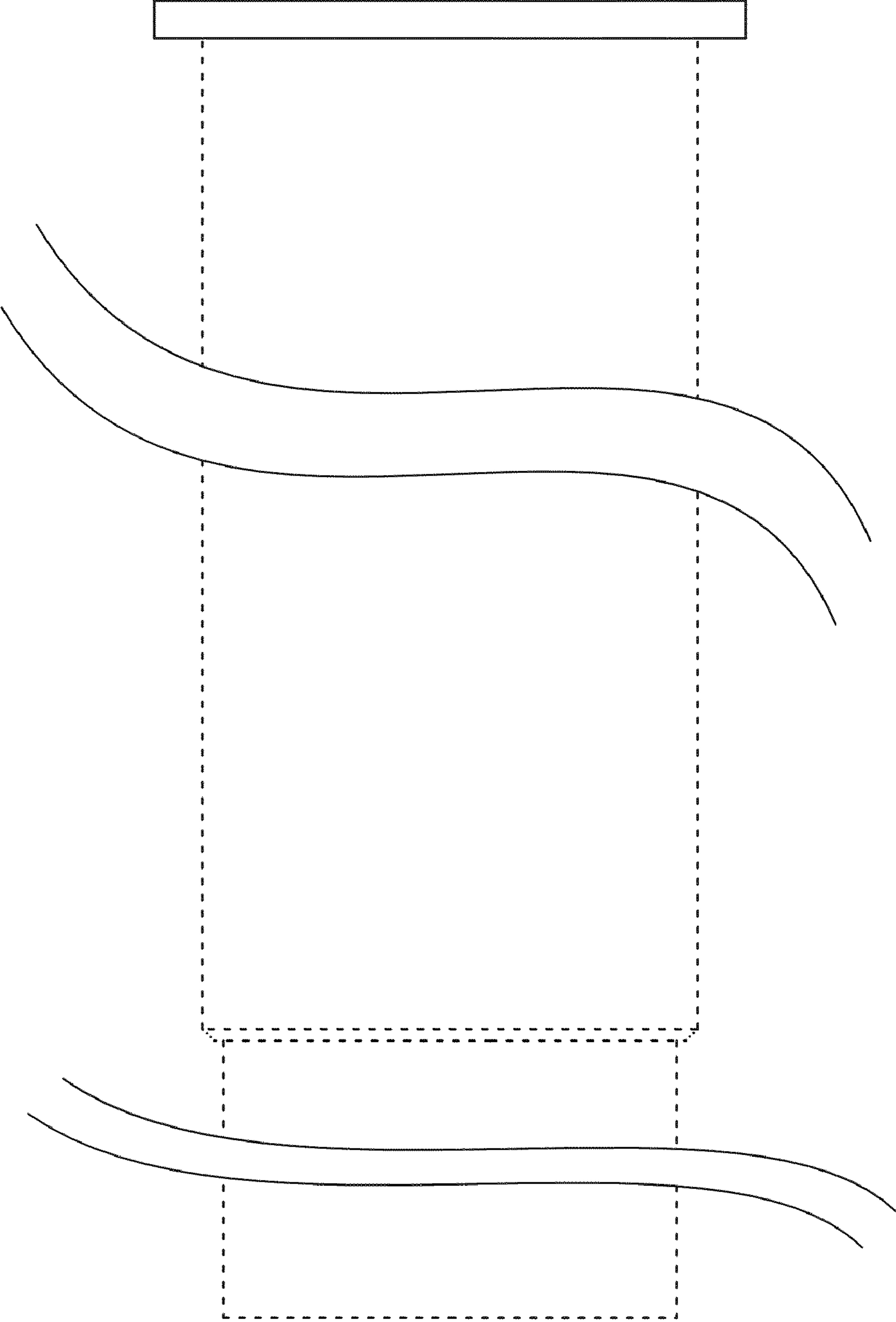


Figure 2

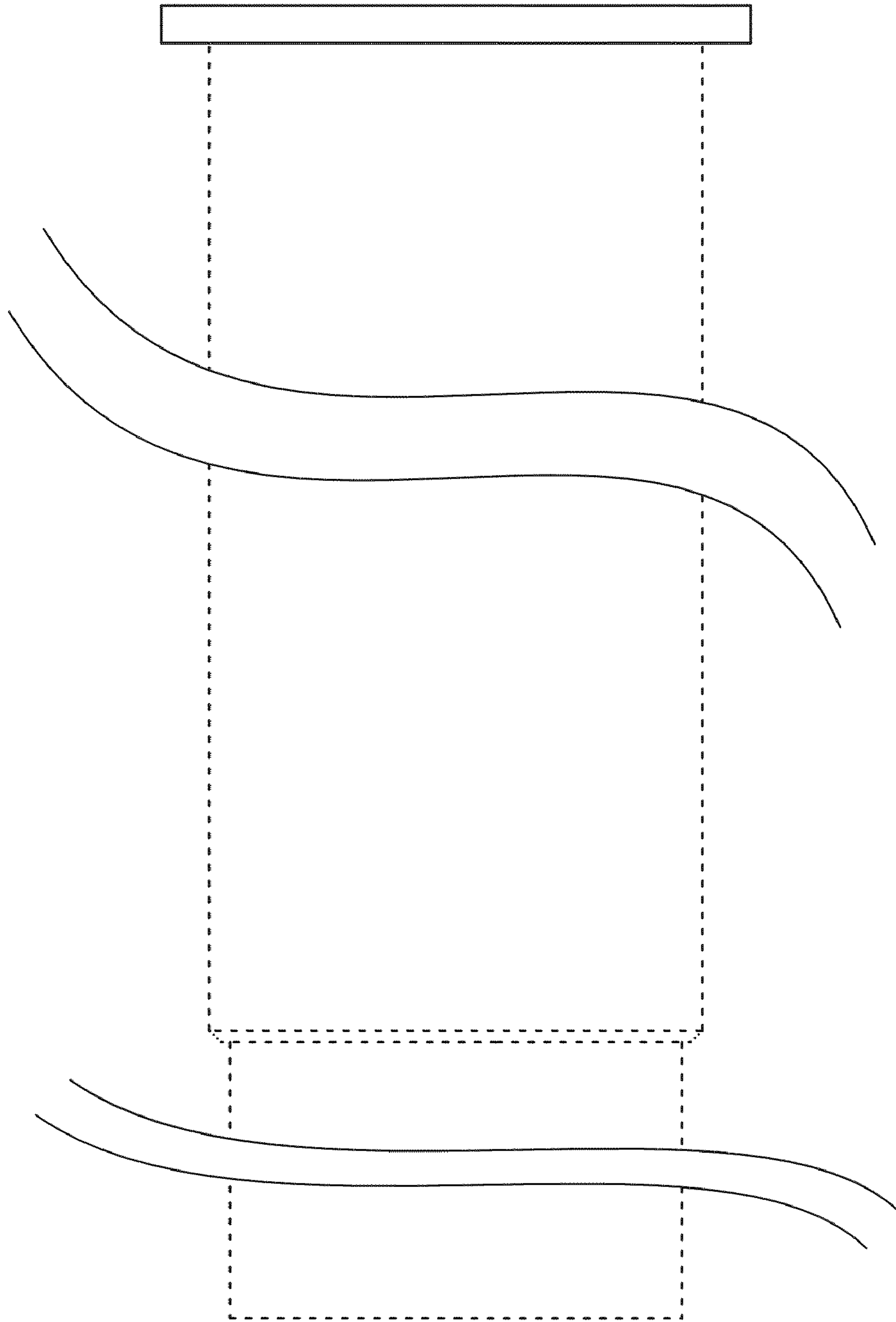


Figure 3

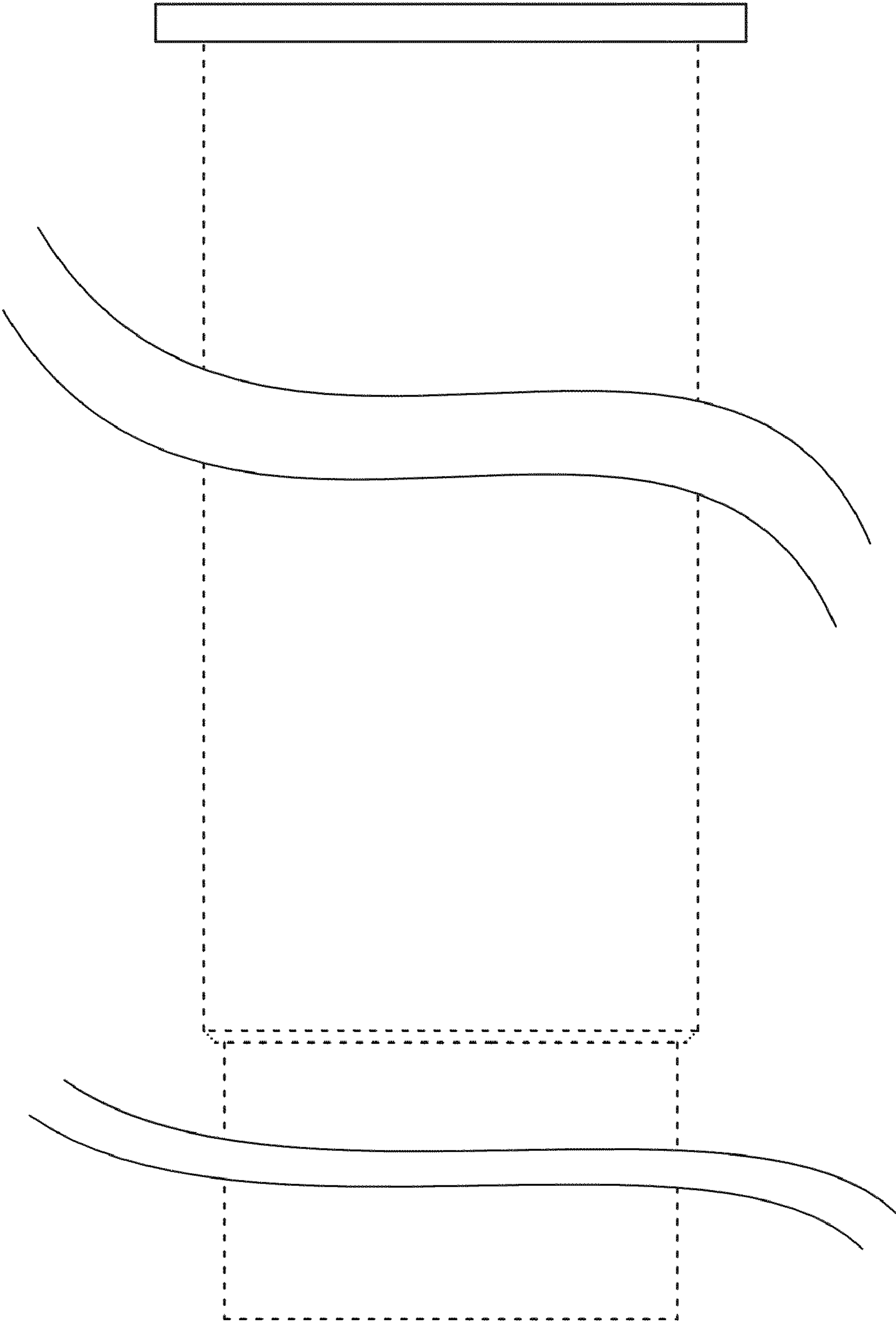


Figure 4

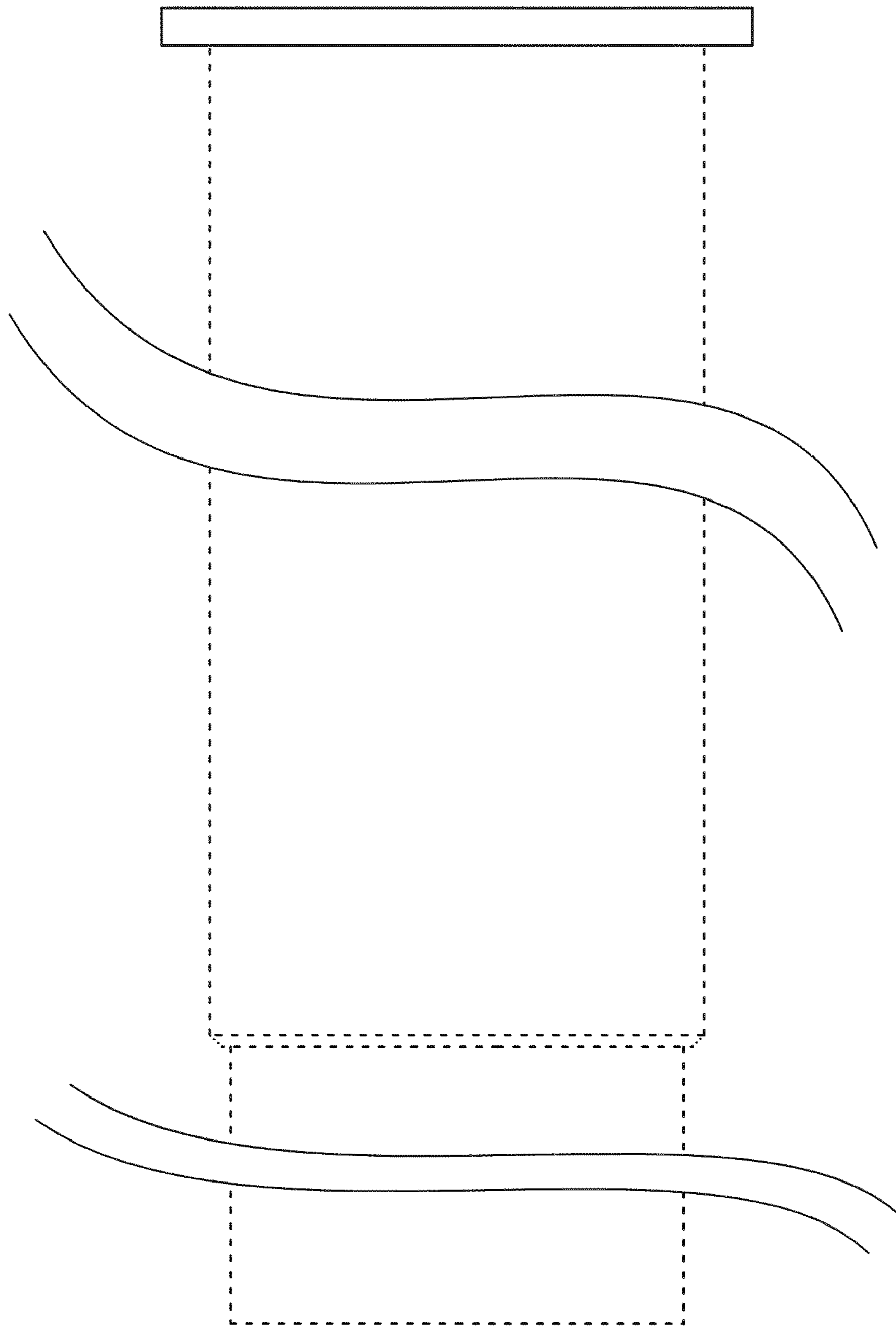


Figure 5

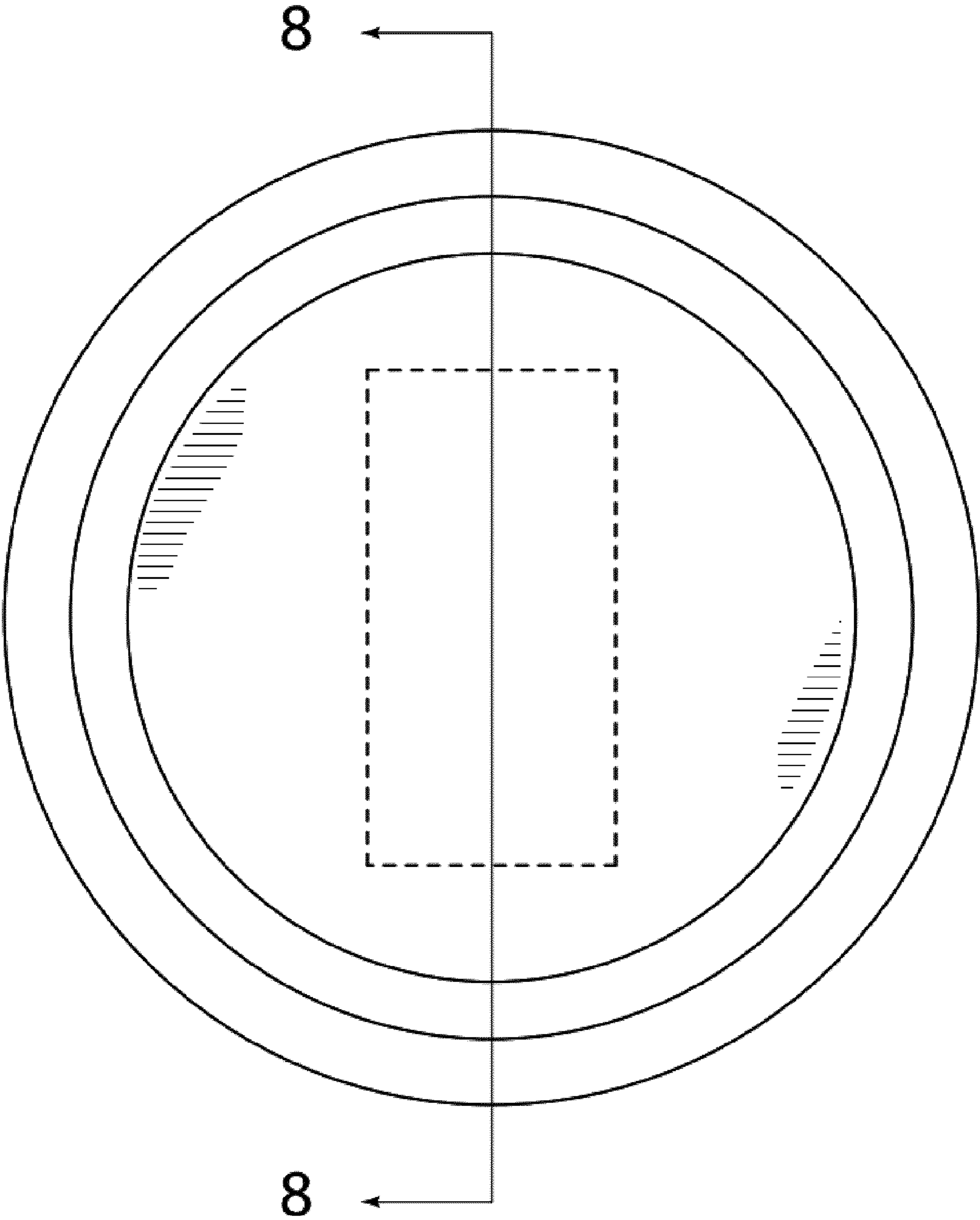


FIGURE 6

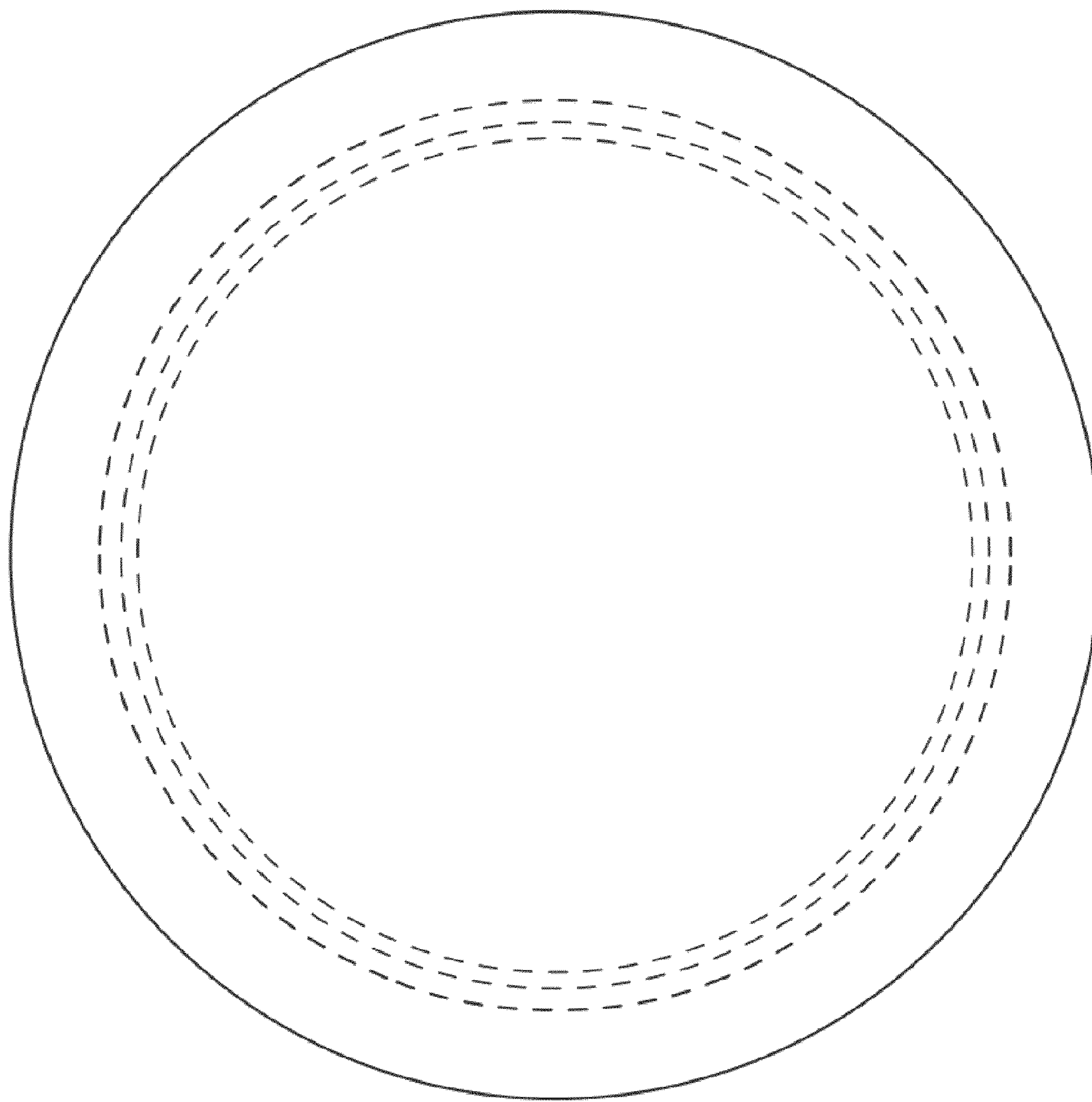


FIGURE 7



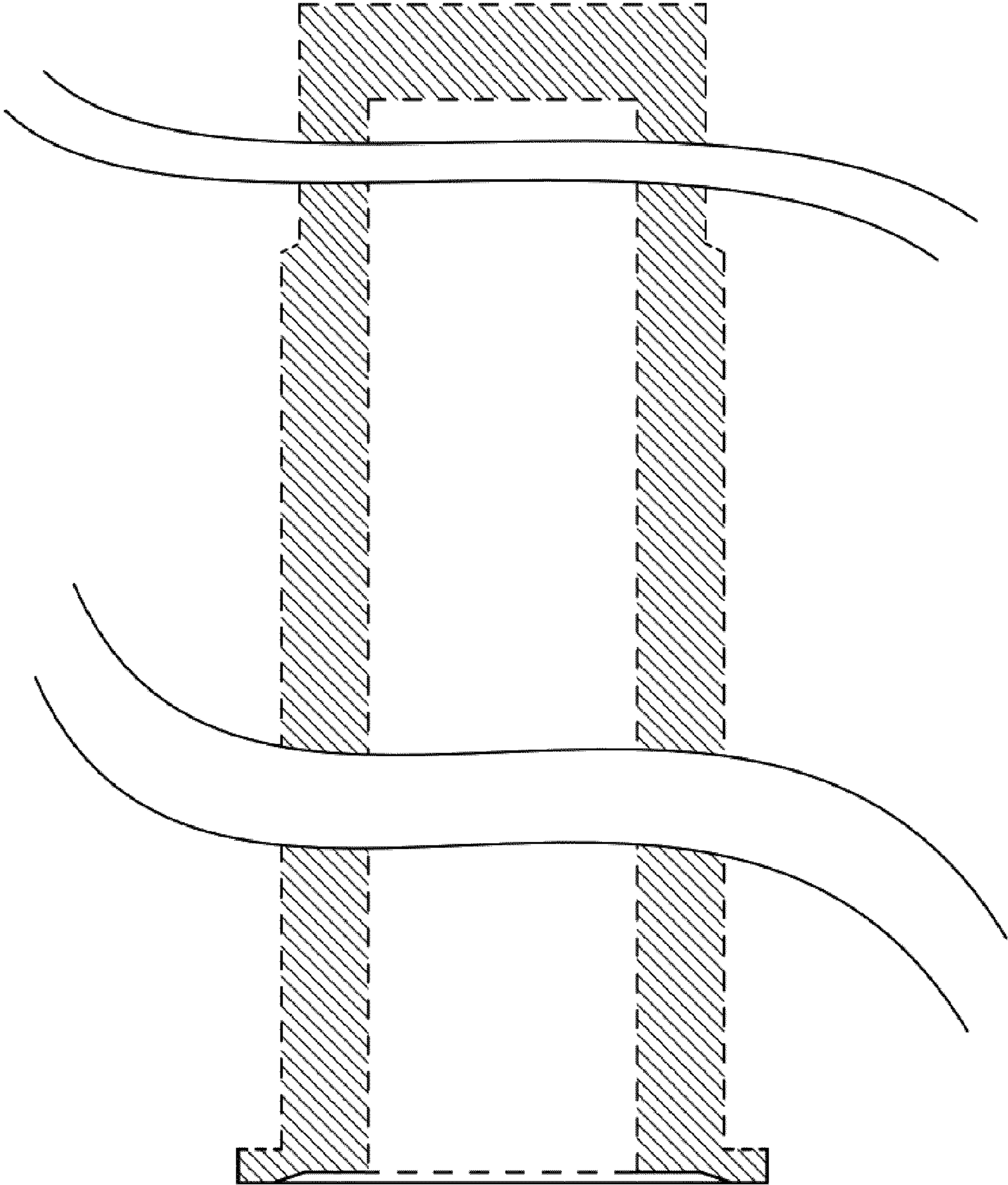


FIGURE 8