



US00D659897S

(12) **United States Design Patent**
Nevins

(10) **Patent No.:** **US D659,897 S**

(45) **Date of Patent:** **** May 15, 2012**

(54) **LIGHT FIXTURE REFLECTOR**

(76) Inventor: **Michael Olen Nevins**, Jackson, MI (US)

(**) Term: **14 Years**

(21) Appl. No.: **29/398,351**

(22) Filed: **Jul. 29, 2011**

(51) **LOC (9) Cl.** **26-99**

(52) **U.S. Cl.** **D26/118**

(58) **Field of Classification Search** 248/343;
D13/179, 180, 134, 146; 361/697; 362/218,
362/223, 260, 346, 364, 362, 382, 147, 547,
362/150, 219, 220, 224, 247, 354, 555, 343,
362/511; D24/210; D23/328; D26/118,
D26/120, 113, 119, 121, 122, 123, 124, 125,
D26/126, 128, 129, 130, 131, 132, 135, 138,
D26/140, 141, 142, 152, 24, 25, 59, 60, 61,
D26/72, 74, 75, 76, 77, 78, 88, 85, 87, 89,
D26/90, 91, 153, 154, 155, 143, 144, 145,
D26/71, 67, 65, 64, 1, 2, 3

See application file for complete search history.

(56) **References Cited**

U.S. PATENT DOCUMENTS

D60,004 S *	12/1921	Adam	D26/135
D81,234 S *	5/1930	Gunnison	D26/86
D97,934 S *	12/1935	Guth	D26/88
D101,317 S *	9/1936	Winkler	D26/88
D103,428 S *	3/1937	Guth	D26/88
D105,628 S *	8/1937	Wiesler	D26/88
D115,970 S *	8/1939	Stewart	D26/124
D120,266 S *	4/1940	Kurth et al.	D26/59
D134,355 S *	11/1942	Rolph	D26/88
D189,932 S *	3/1961	Walker	D26/139
D282,973 S *	3/1986	Kempton et al.	D26/140
D300,877 S *	4/1989	Cyr	D26/134
D326,163 S *	5/1992	Sonneman	D26/152

D337,392 S *	7/1993	Lin	D26/106
D386,277 S *	11/1997	Lecluze	D26/74
D400,274 S *	10/1998	Ziaylek et al.	D26/36

(Continued)

Primary Examiner — Kevin Rudzinski

(74) *Attorney, Agent, or Firm* — Lowe Hauptman Ham & Berner, LLP

(57) **CLAIM**

The ornamental design for a light fixture reflector, as shown and described.

DESCRIPTION

FIG. 1 is a top view of a first embodiment of the light fixture reflector;

FIG. 2 is a bottom view of the first embodiment;

FIG. 3 is a right side view of the first embodiment, the left side, front side, and rear side being a minor image thereof;

FIG. 4 is a side, top angled view of the first embodiment;

FIG. 5 is a side, bottom angled view of the first embodiment;

FIG. 6 is a top view of a second embodiment of the light fixture reflector;

FIG. 7 is a bottom view of the second embodiment;

FIG. 8 is a right side view of the second embodiment, the left side, front side, and rear side being a minor image thereof;

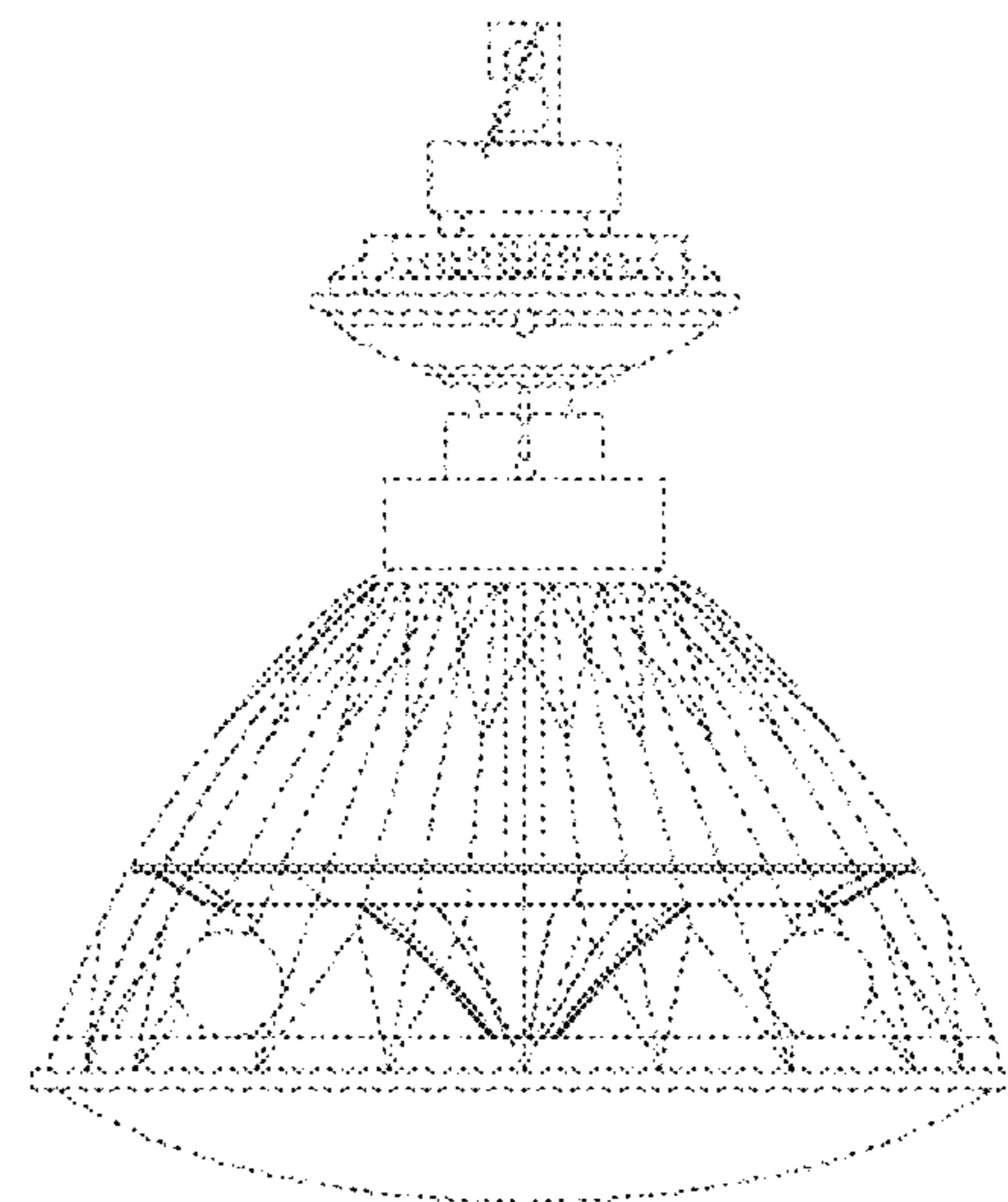
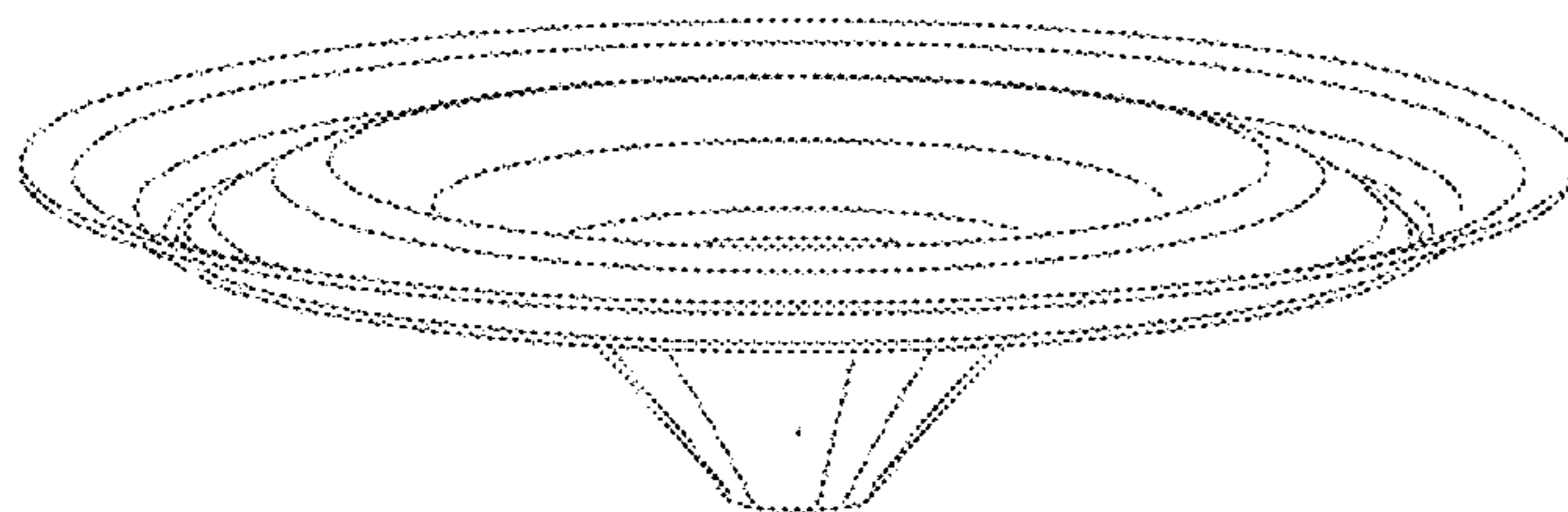
FIG. 9 is a side, top angled view of the second embodiment;

FIG. 10 is a side, bottom angled view of the second embodiment; and,

FIG. 11 is a left side view of the first embodiment as used in a light fixture.

The broken lines shown in FIG. 11 illustrate unclaimed environmental structure of the lighting fixture reflector and form no part of the claimed design.

1 Claim, 11 Drawing Sheets



US D659,897 S

Page 2

U.S. PATENT DOCUMENTS

6,450,667	B1 *	9/2002	Thompson	362/263	D571,494	S *	6/2008	Friedman et al.	D26/67
D465,872	S *	11/2002	Cacaci	D26/90	D575,900	S *	8/2008	Summerford et al.	D26/128
D468,051	S *	12/2002	Gaskins et al.	D26/123	D581,087	S *	11/2008	Sabernig	D26/88
D469,211	S *	1/2003	Homann	D26/118	D588,300	S *	3/2009	Sabernig	D26/89
D469,916	S *	2/2003	Caferro et al.	D26/123	D595,005	S *	6/2009	Chou	D26/74
D471,312	S *	3/2003	Homann	D26/118	D601,744	S *	10/2009	Sakuma	D26/89
D471,657	S *	3/2003	Huang	D26/28	D604,454	S *	11/2009	Majidi	D26/142
D487,320	S *	3/2004	Huang	D26/28	D617,485	S *	6/2010	Hamilton et al.	D26/67
6,953,264	B2 *	10/2005	Ter-Hovhannisian	362/241	D631,188	S *	1/2011	Lovegrove	D26/138
7,160,010	B1 *	1/2007	Chinniah et al.	362/511	D640,823	S *	6/2011	Hokazono et al.	D26/89
D543,307	S *	5/2007	Bynum et al.	D26/118	2003/0063474	A1 *	4/2003	Coushaine	362/517
D548,391	S *	8/2007	Lecluze	D26/138	2004/0141323	A1 *	7/2004	Aynie et al.	362/308
D560,016	S *	1/2008	Arndt et al.	D26/118	2006/0238881	A1 *	10/2006	Park et al.	359/642

* cited by examiner

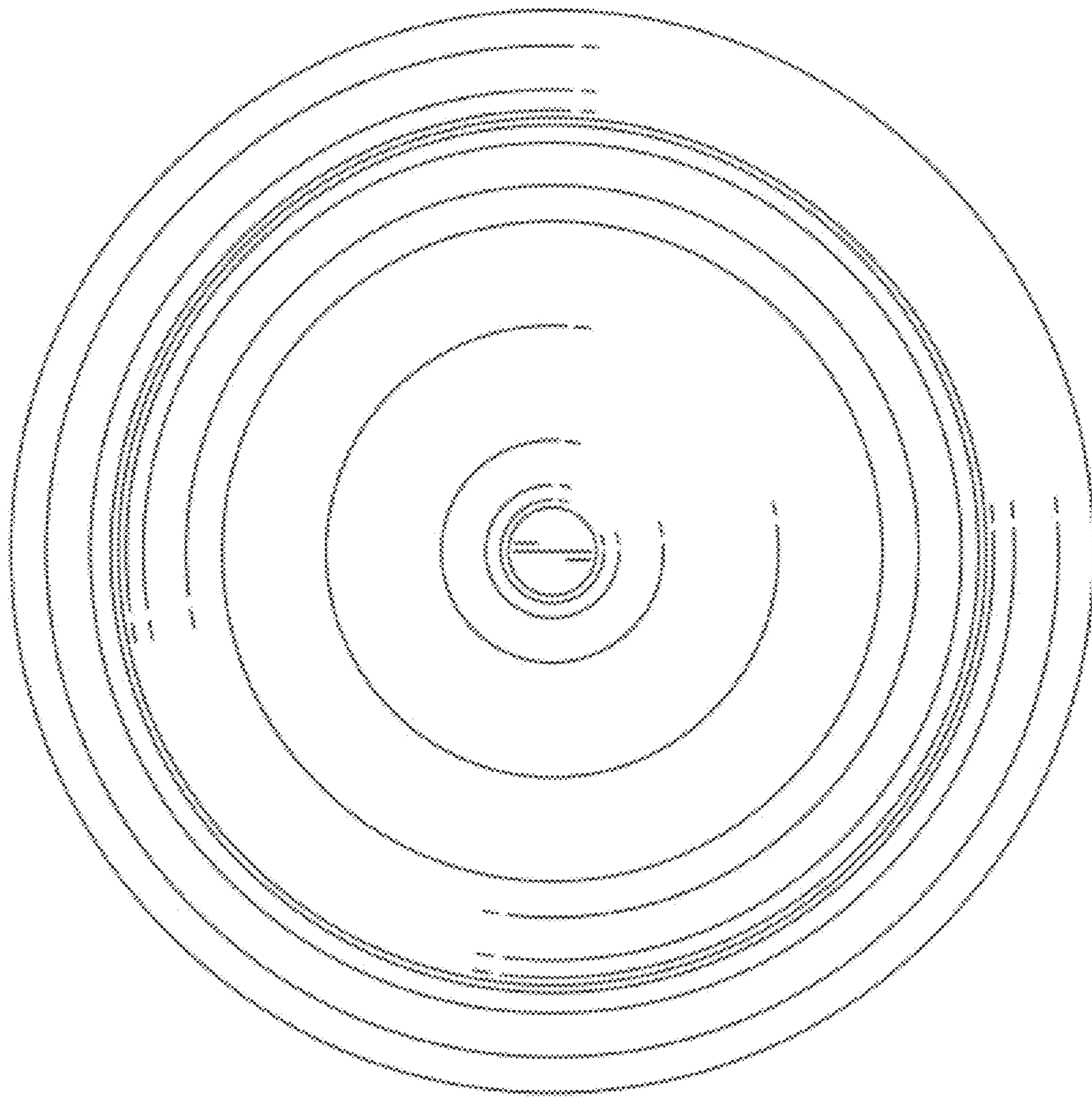


FIG. 1

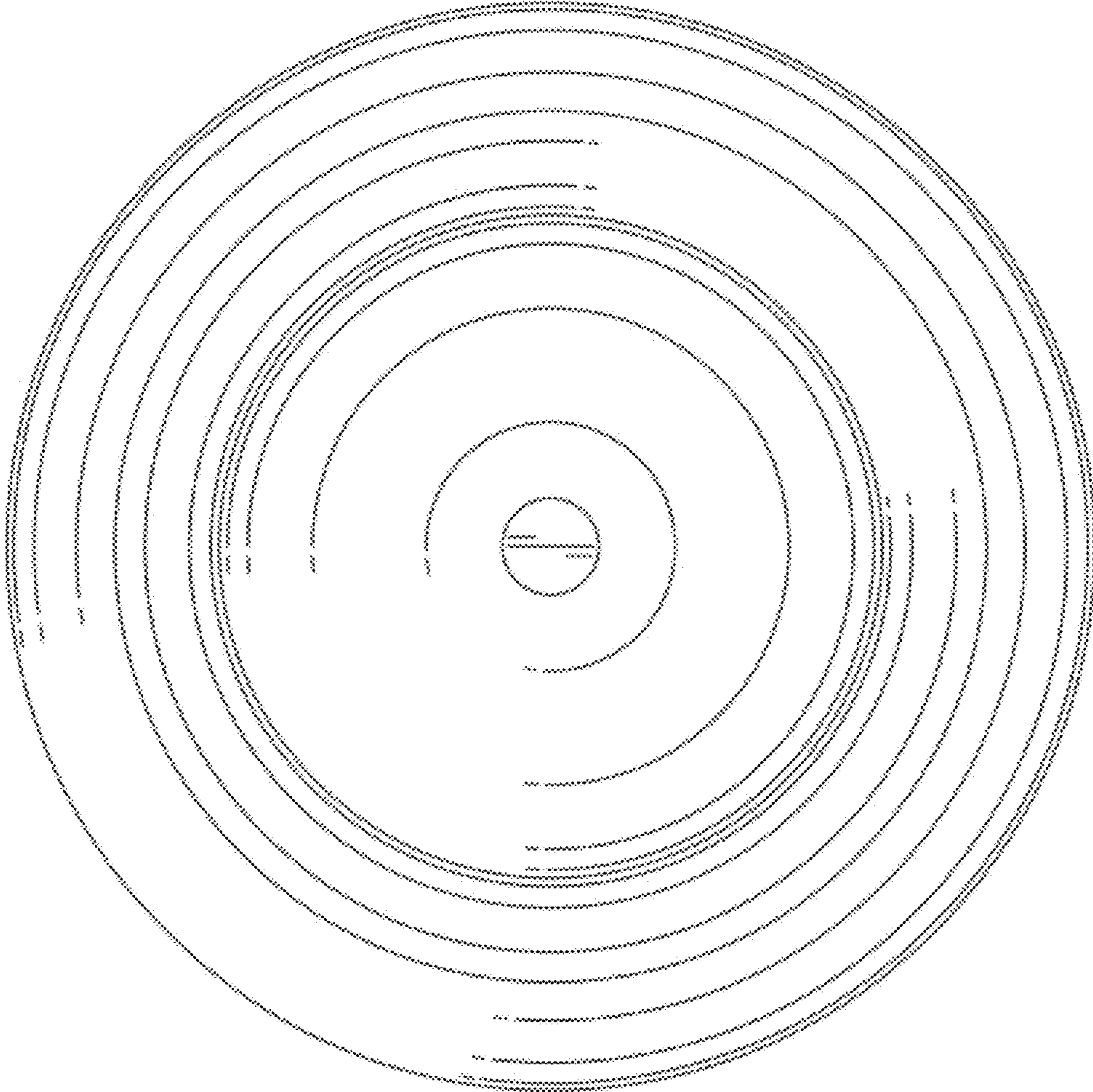


FIG. 2

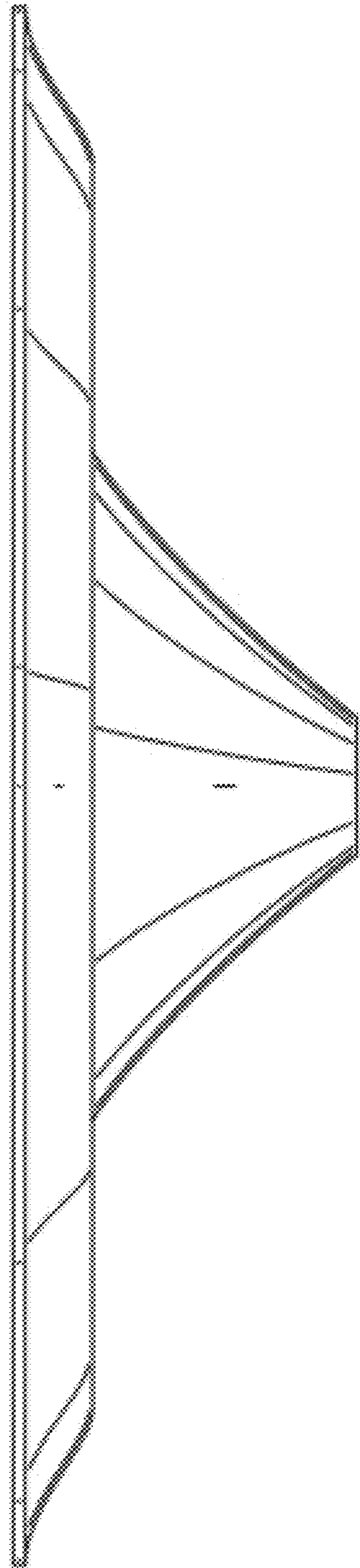


FIG. 3

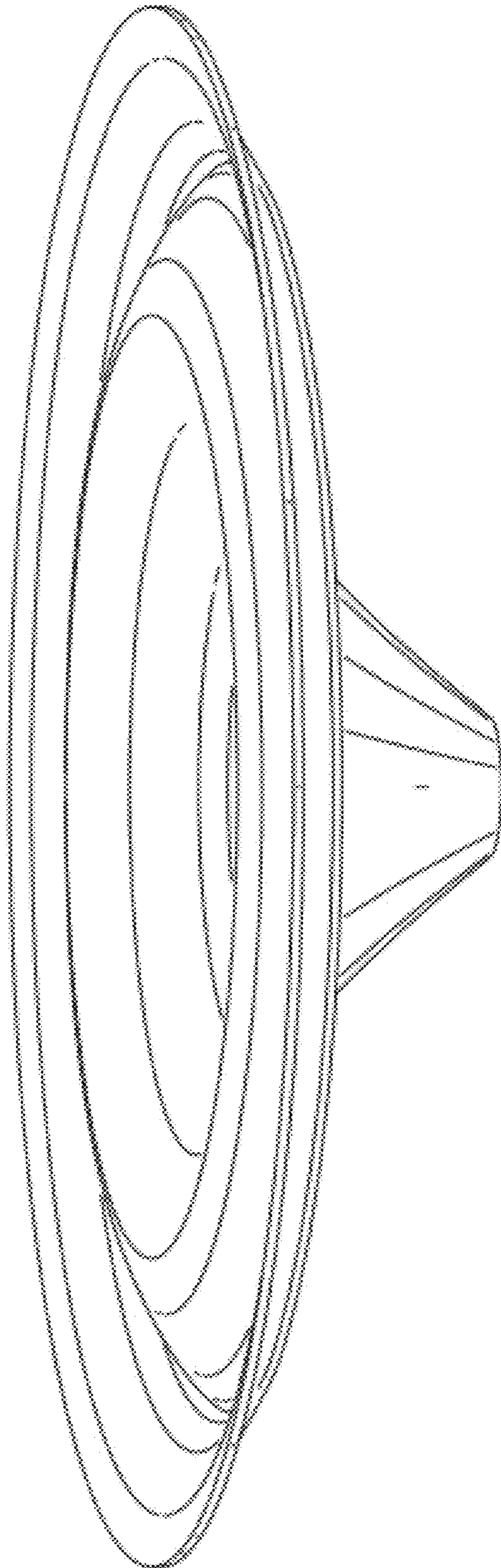


FIG. 4

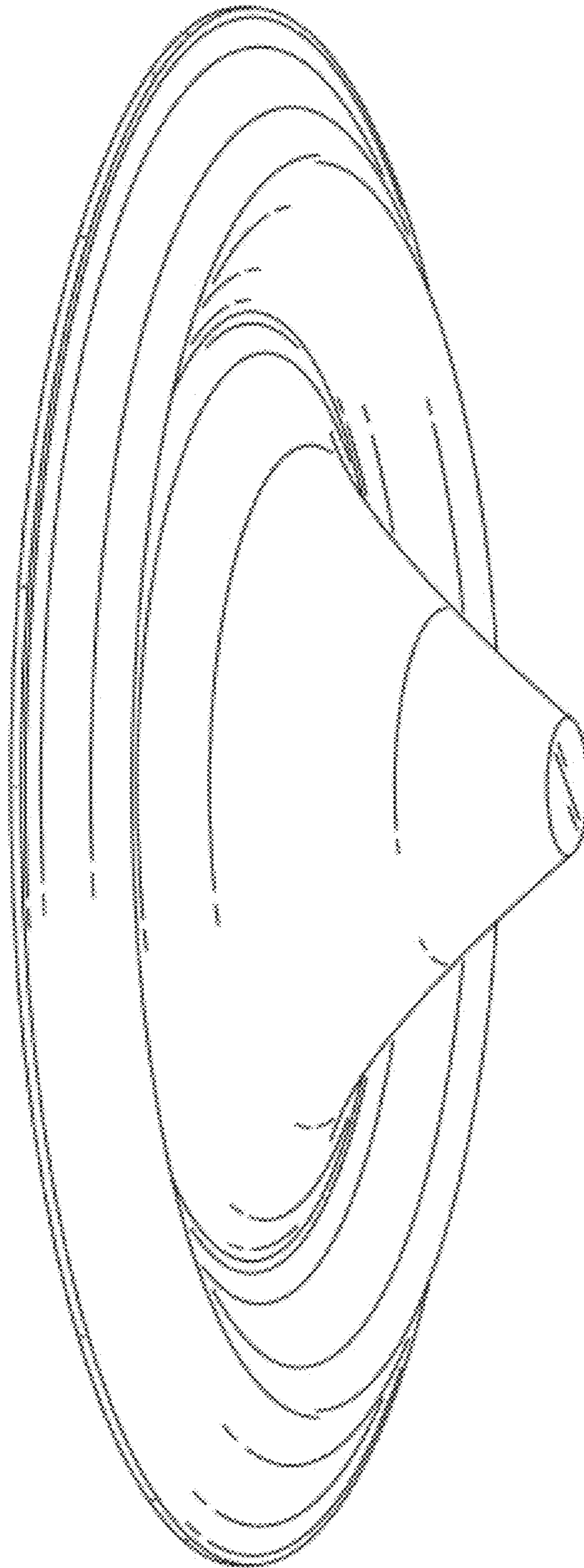


FIG. 5

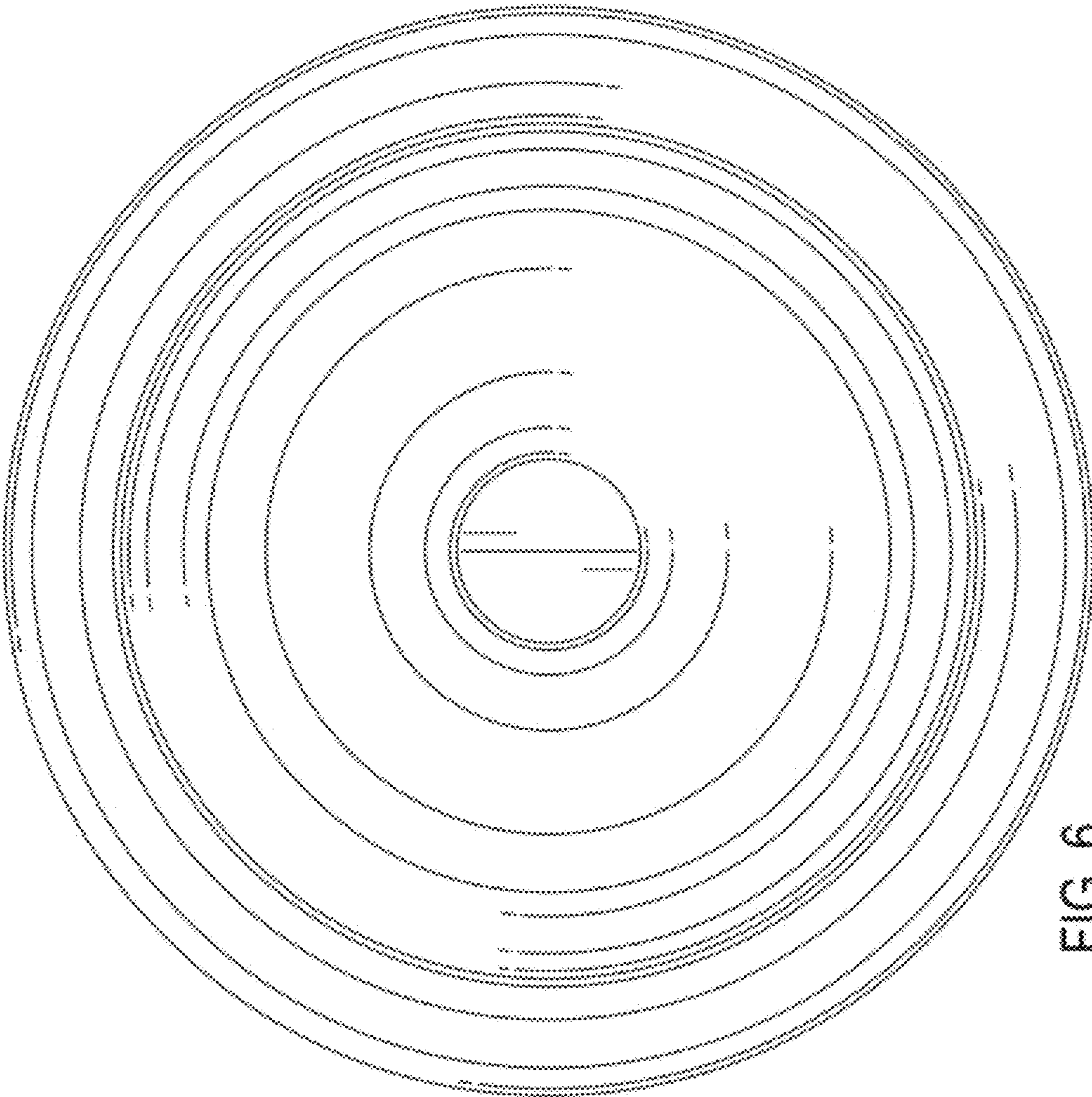


FIG. 6

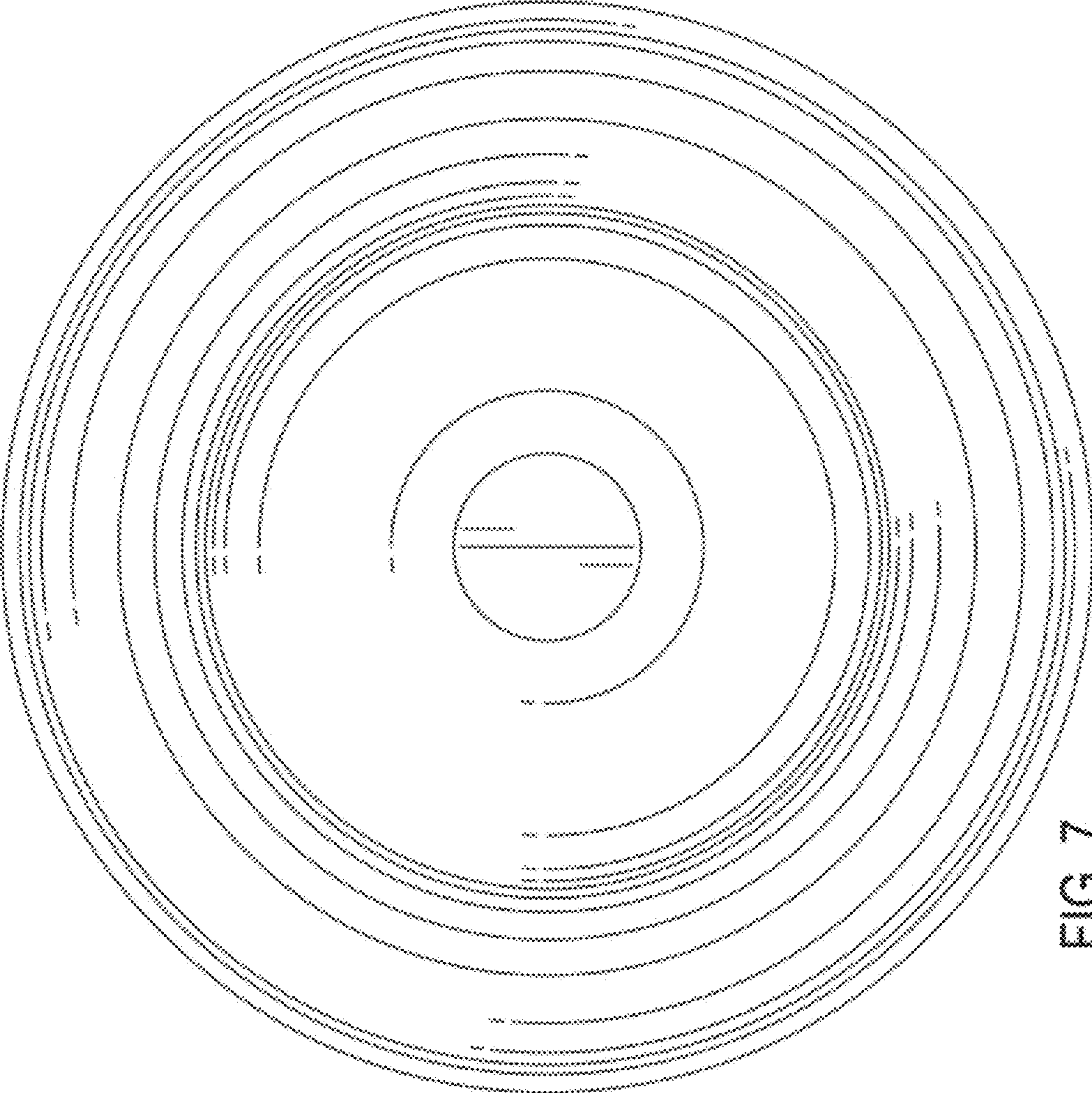


FIG. 7

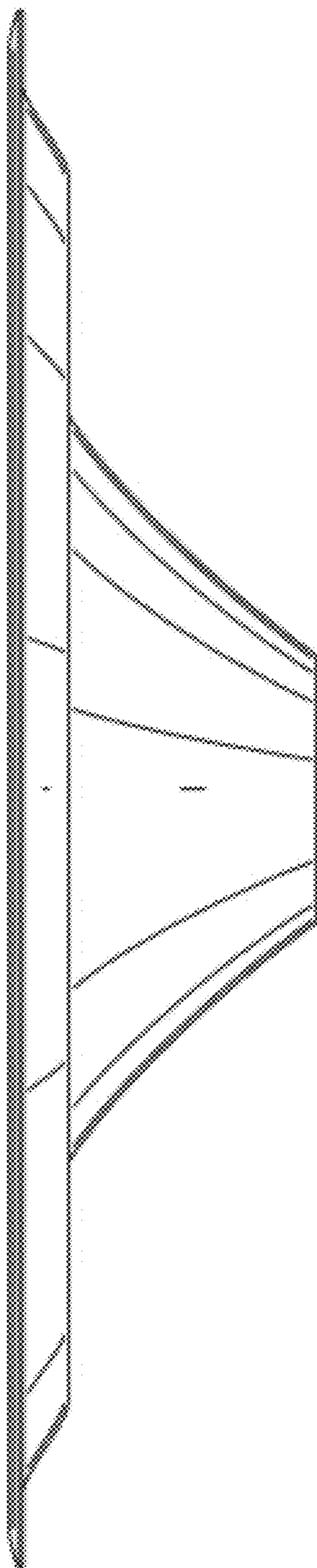


FIG. 8

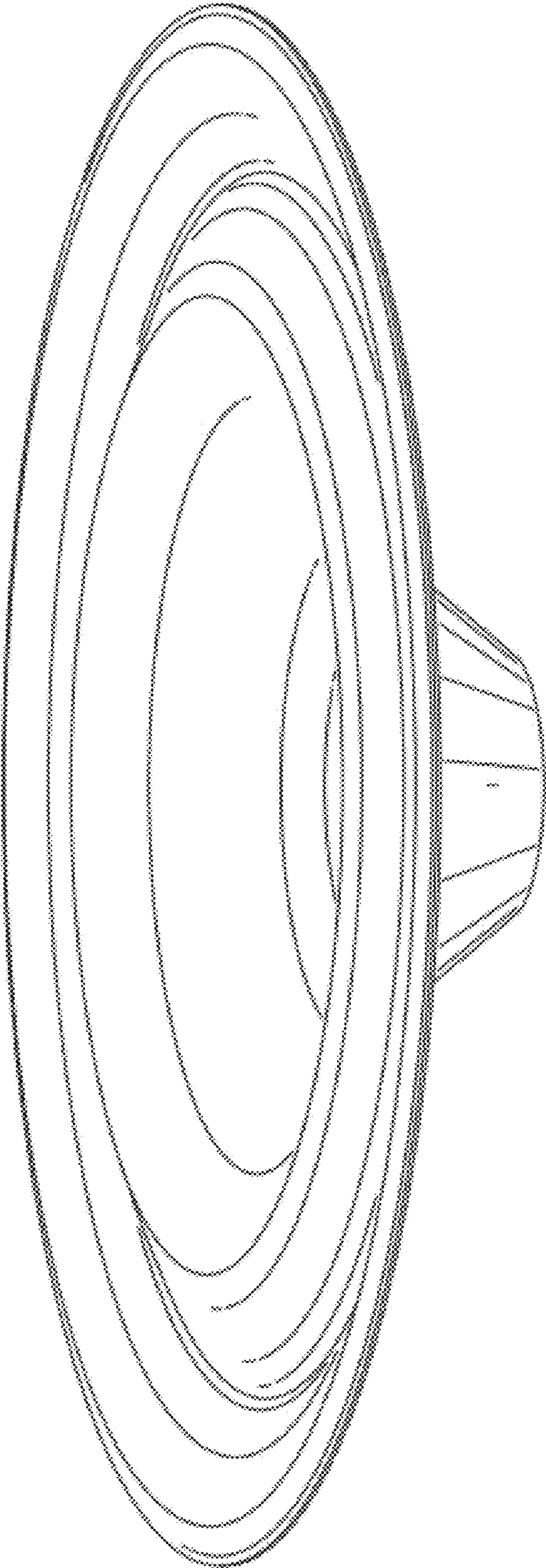


FIG. 9

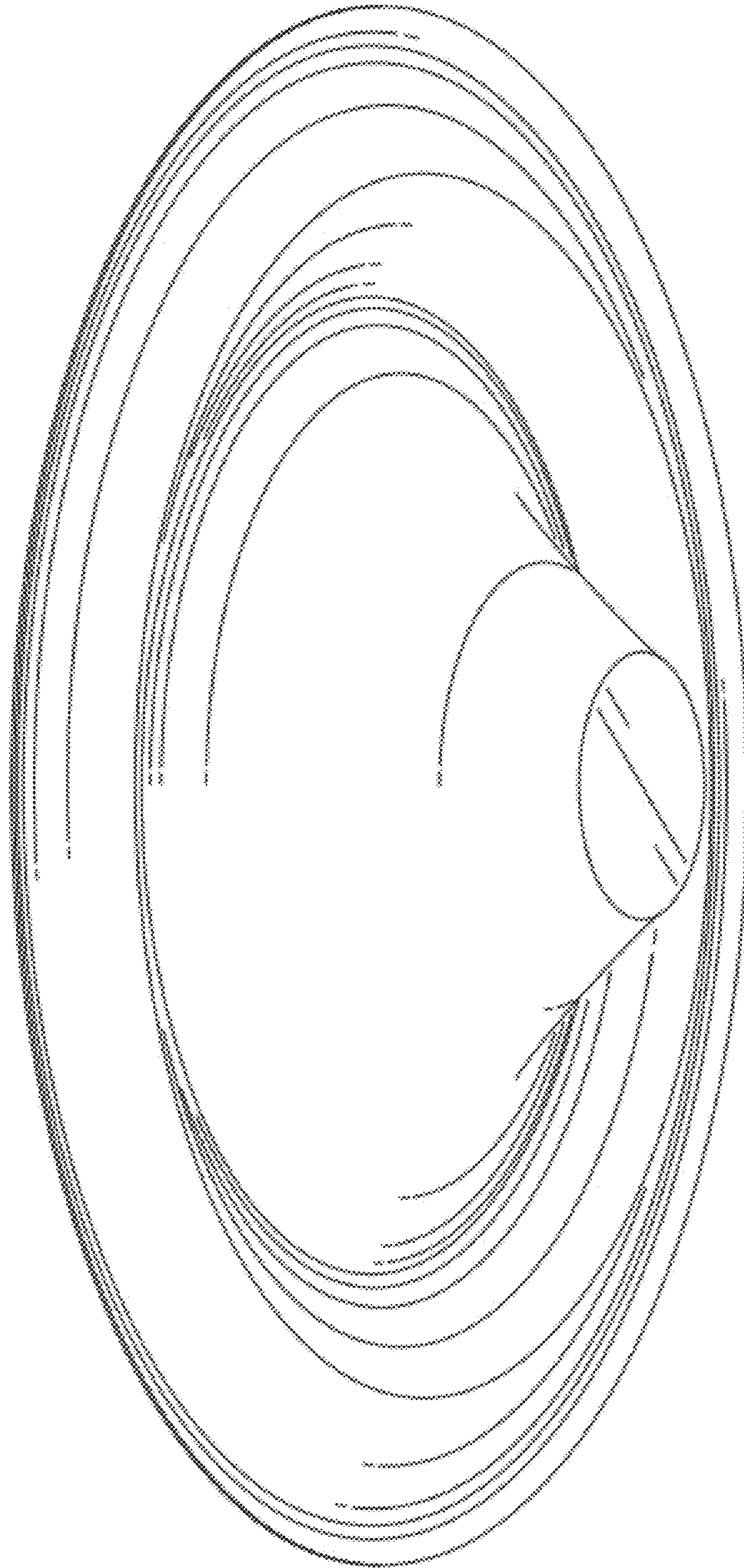


FIG. 10

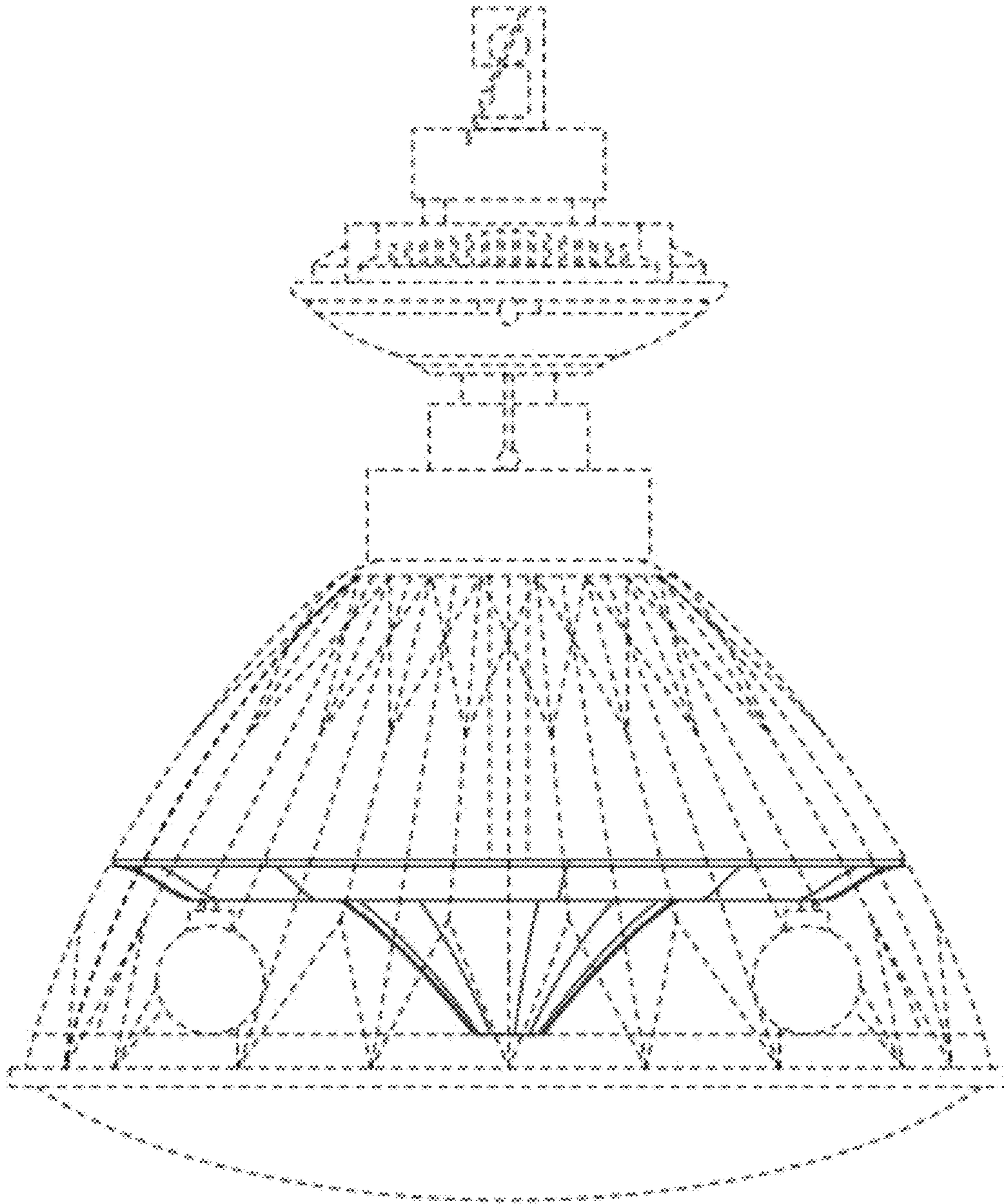


FIG. 11

UNITED STATES PATENT AND TRADEMARK OFFICE
CERTIFICATE OF CORRECTION

PATENT NO. : D659,897 S
APPLICATION NO. : 29/398351
DATED : May 15, 2012
INVENTOR(S) : Nevins

Page 1 of 13

It is certified that error appears in the above-identified patent and that said Letters Patent is hereby corrected as shown below:

The title page showing an illustrative figure should be deleted and substitute therefor the attached title page.

Delete drawing sheets 1-11 and substitute therefor the drawings sheets consisting of figures 1-11 as shown on the attached pages.

Signed and Sealed this
Twenty-fourth Day of July, 2012

A handwritten signature in black ink that reads "David J. Kappos". The signature is written in a cursive, slightly slanted style.

David J. Kappos
Director of the United States Patent and Trademark Office

(12) **United States Design Patent**
 Nevins

(10) **Patent No.:** US D659,897 S
 (45) **Date of Patent:** ** May 15, 2012

(54) **LIGHT FIXTURE REFLECTOR**

(76) **Inventor:** Michael Olen Nevins, Jackson, MI (US)

(**) **Term:** 14 Years

(21) **Appl. No.:** 29/398,351

(22) **Filed:** Jul. 29, 2011

(51) **LOC (9) Cl. 26-99**

(52) **U.S. Cl. D26/118**

(58) **Field of Classification Search** 248/343;
 D13/179, 180, 134, 146; 361/697; 362/218,
 362/223, 260, 346, 364, 362, 382, 147, 547,
 362/150, 219, 220, 224, 247, 354, 555, 343,
 362/511; D24/210; D23/328; D26/118,
 D26/120, 113, 119, 121, 122, 123, 124, 125,
 D26/126, 128, 129, 130, 131, 132, 135, 138,
 D26/140, 141, 142, 152, 24, 25, 59, 60, 61,
 D26/72, 74, 75, 76, 77, 78, 88, 85, 87, 89,
 D26/90, 91, 153, 154, 155, 143, 144, 145,
 D26/71, 67, 65, 64, 1, 2, 3

See application file for complete search history.

(56) **References Cited**

U.S. PATENT DOCUMENTS

D60,004 S *	12/1921	Adam	D26/135
D81,234 S *	5/1930	Gunnison	D26/86
D97,934 S *	12/1935	Guth	D26/88
D101,317 S *	9/1936	Winkler	D26/88
D103,428 S *	3/1937	Guth	D26/88
D105,628 S *	8/1937	Wiesler	D26/88
D115,970 S *	8/1939	Stewart	D26/124
D120,266 S *	4/1940	Kurth et al.	D26/59
D134,355 S *	11/1942	Rolph	D26/88
D189,932 S *	3/1961	Walker	D26/139
D282,973 S *	3/1986	Kempton et al.	D26/140
D300,877 S *	4/1989	Cyr	D26/134
D326,163 S *	5/1992	Sonneman	D26/152

D337,392 S *	7/1993	Lin	D26/106
D386,277 S *	11/1997	Lecluze	D26/74
D400,274 S *	10/1998	Ziaylek et al.	D26/36

(Continued)

Primary Examiner — Kevin Rudzinski

(74) *Attorney, Agent, or Firm* — Lowe Hauptman Ham & Berner, LLP

(57) **CLAIM**

The ornamental design for a light fixture reflector, as shown and described.

DESCRIPTION

FIG. 1 is a top view of a first embodiment of the light fixture reflector;

FIG. 2 is a bottom view of the first embodiment;

FIG. 3 is a right side view of the first embodiment, the left side, front side, and rear side being a minor image thereof;

FIG. 4 is a side, top angled view of the first embodiment;

FIG. 5 is a side, bottom angled view of the first embodiment;

FIG. 6 is a top view of a second embodiment of the light fixture reflector;

FIG. 7 is a bottom view of the second embodiment;

FIG. 8 is a right side view of the second embodiment, the left side, front side, and rear side being a minor image thereof;

FIG. 9 is a side, top angled view of the second embodiment;

FIG. 10 is a side, bottom angled view of the second embodiment; and,

FIG. 11 is a left side view of the first embodiment as used in a light fixture.

The broken lines shown in FIG. 11 illustrate unclaimed environmental structure of the lighting fixture reflector and form no part of the claimed design.

1 Claim, 11 Drawing Sheets

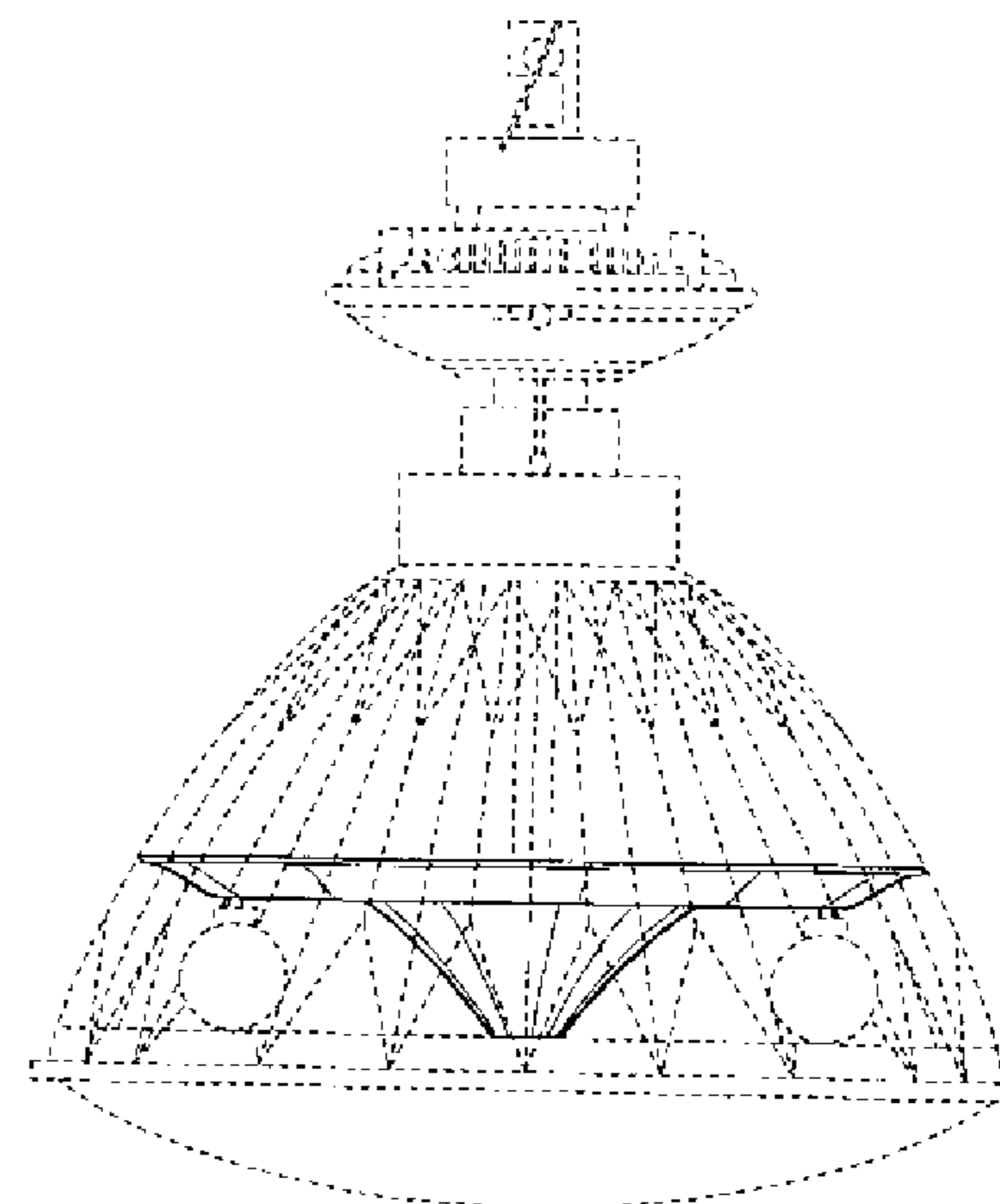
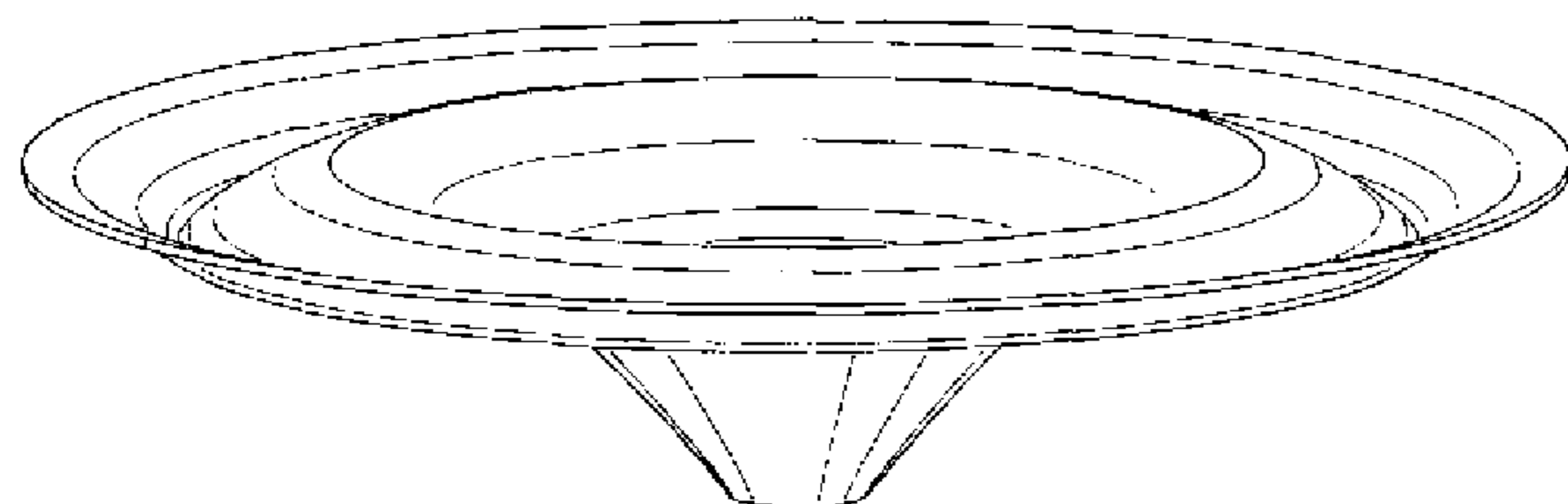




FIG. 1



FIG. 2

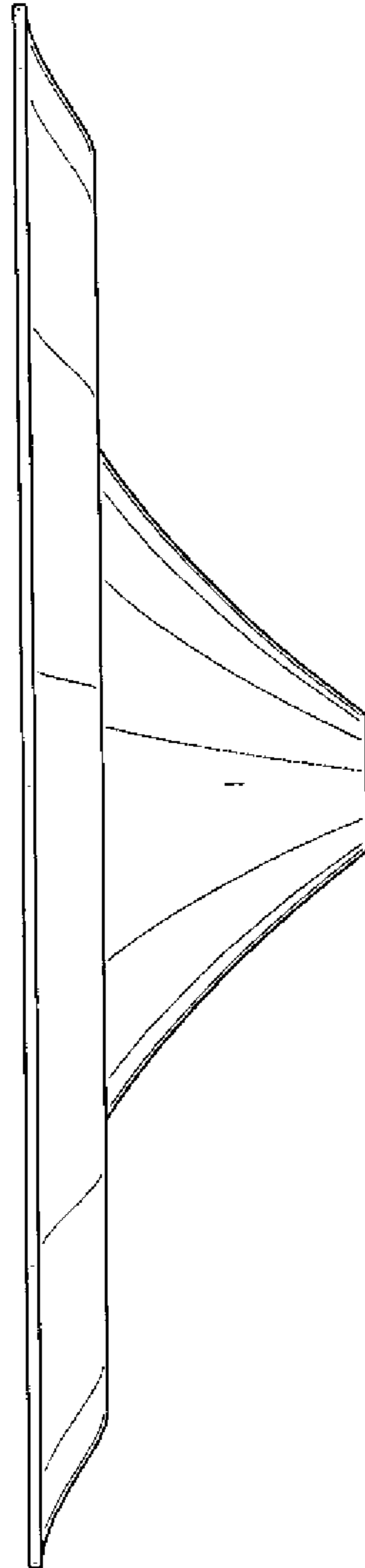


FIG. 3

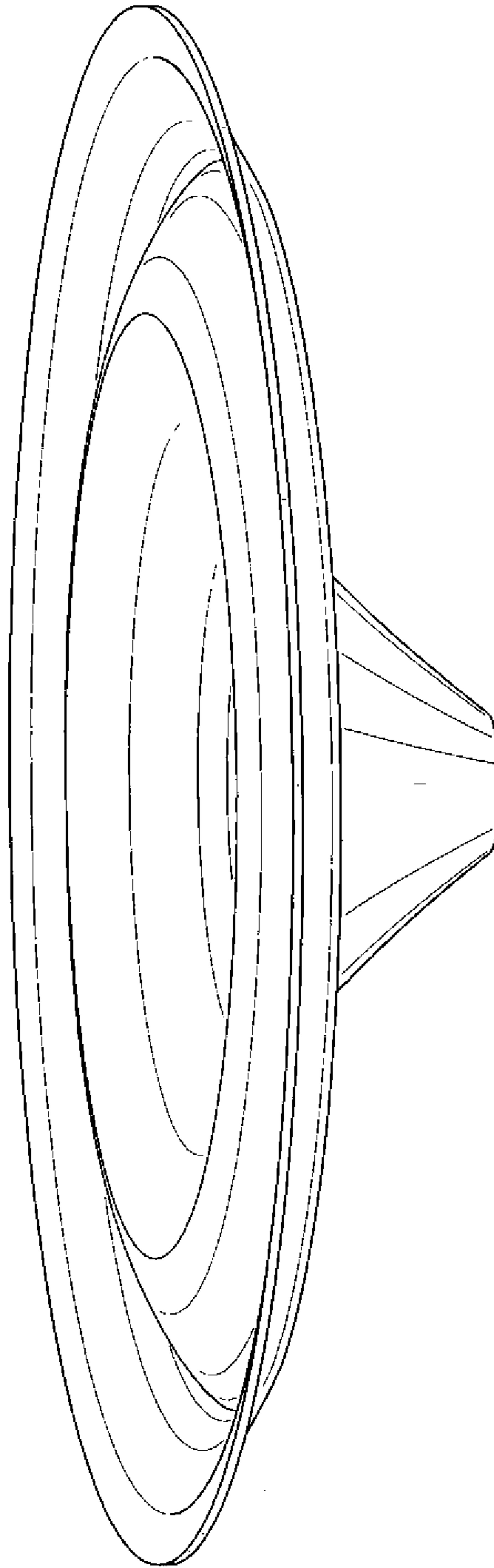


FIG. 4

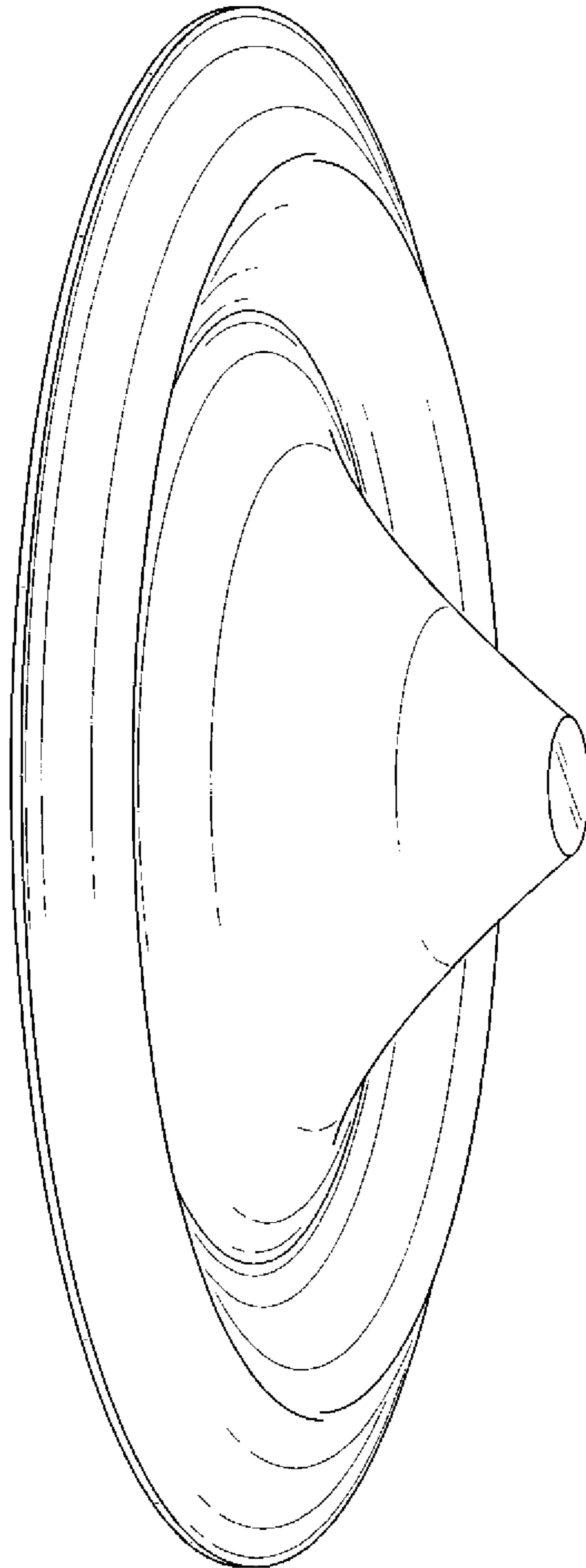


FIG. 5

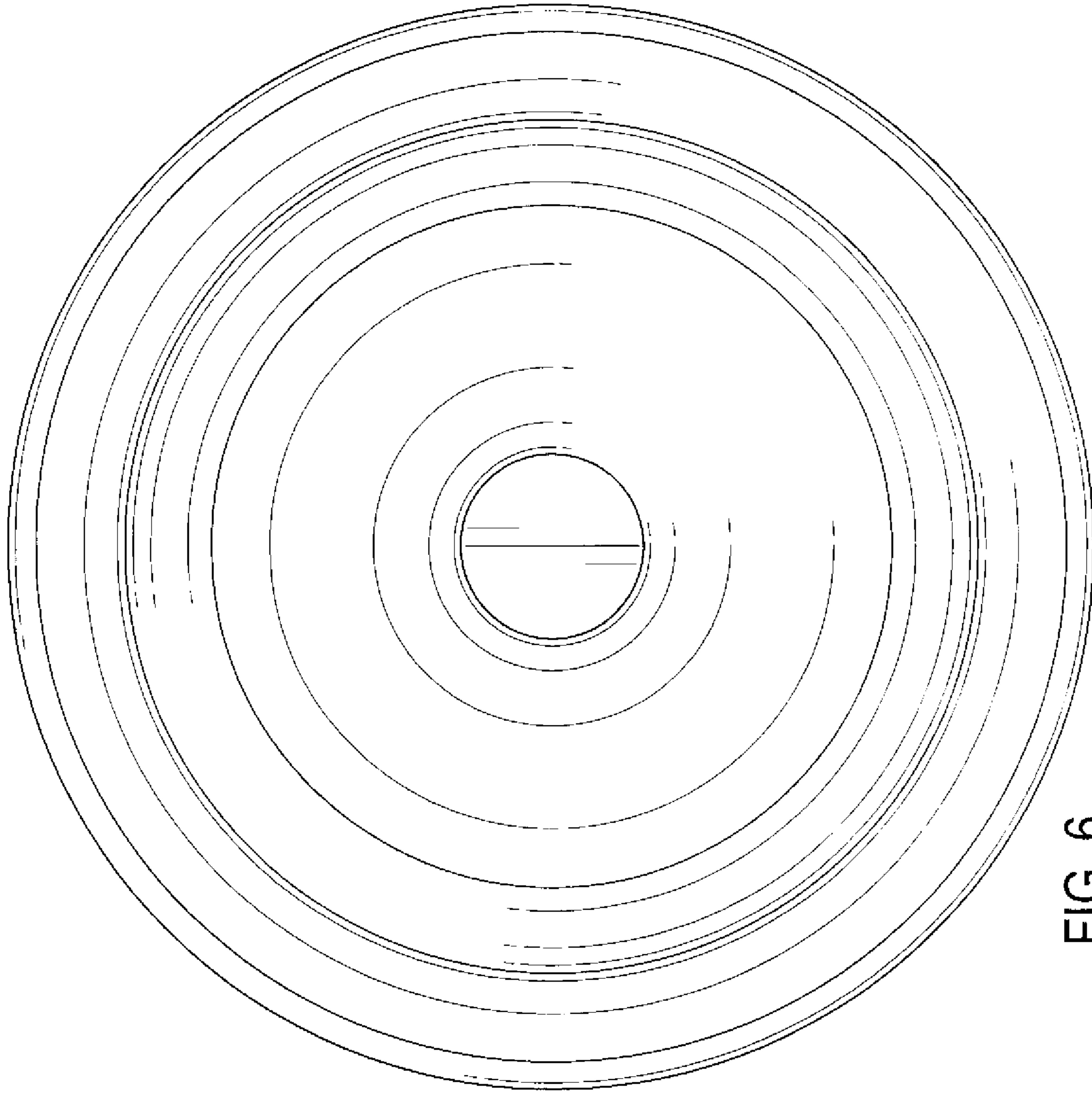


FIG. 6

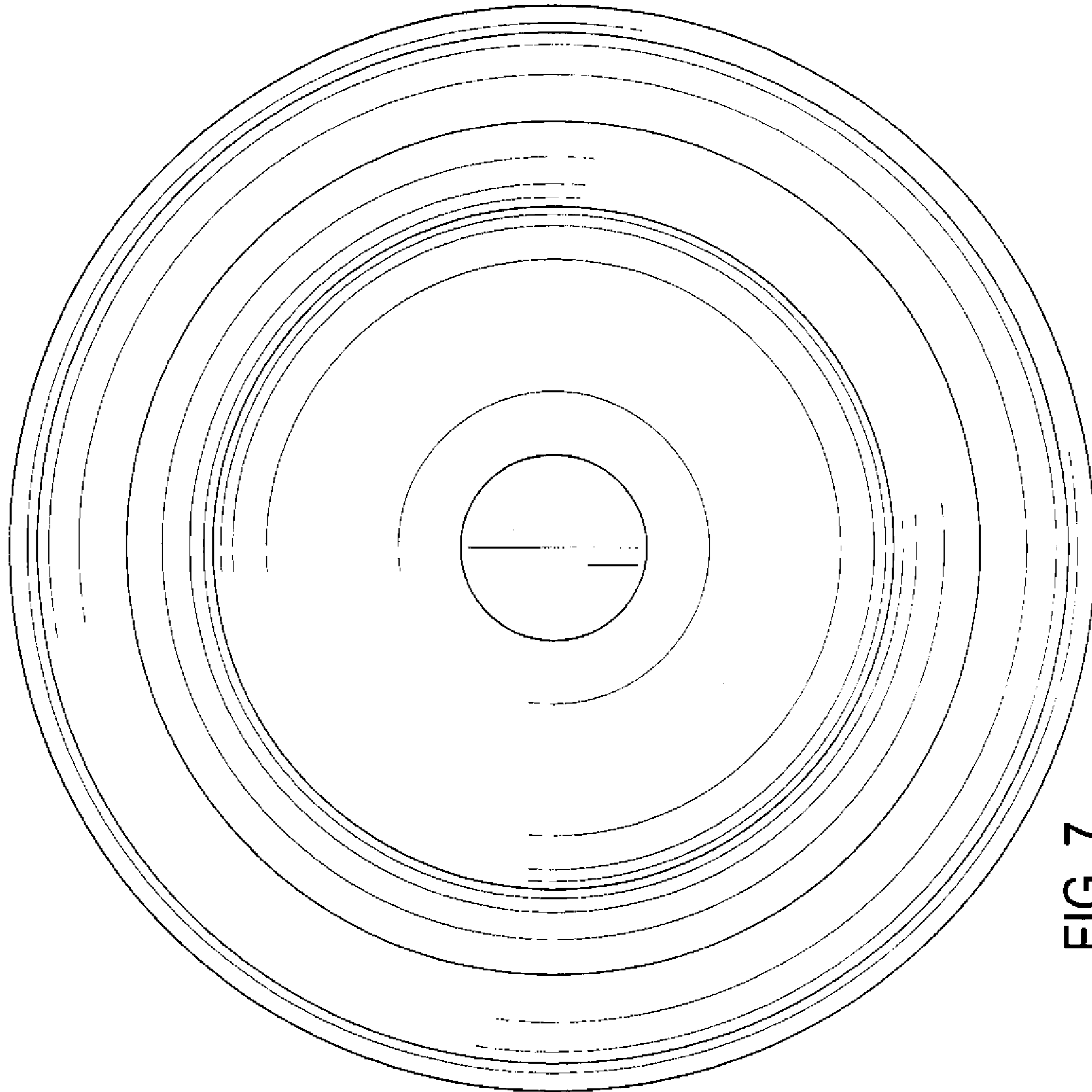


FIG. 7

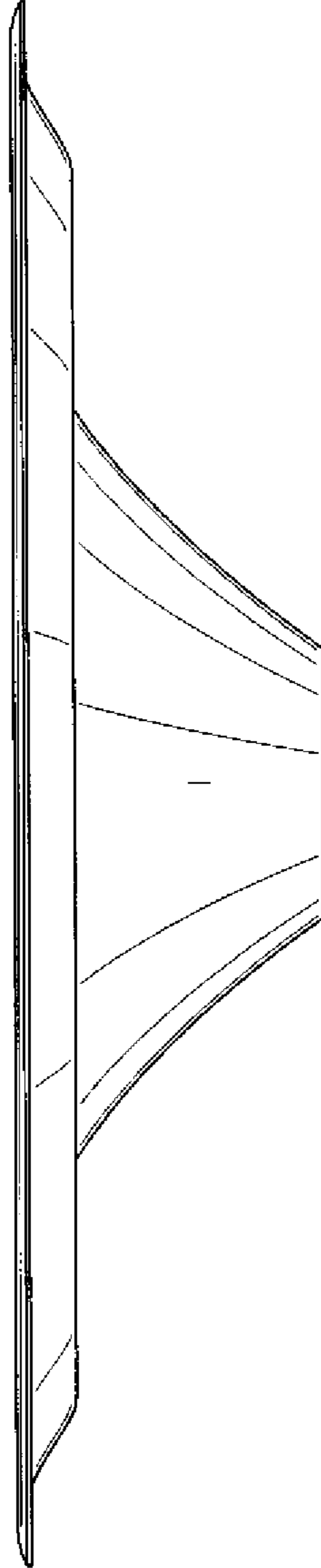


FIG. 8

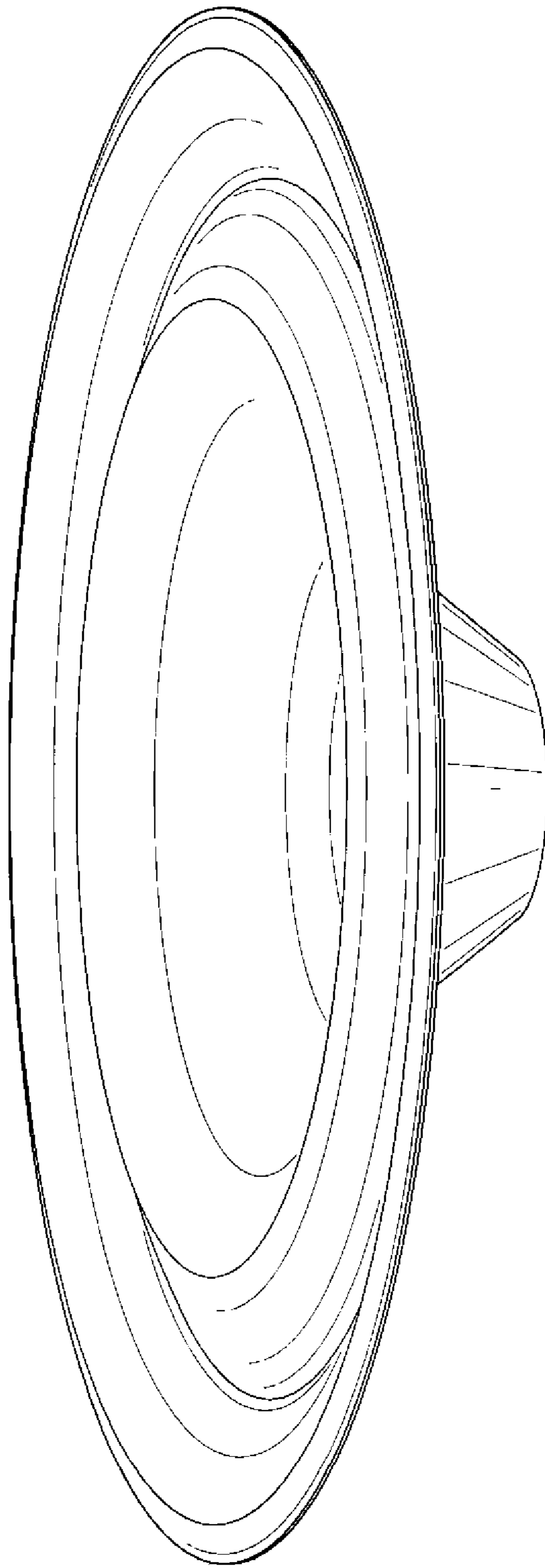


FIG. 9

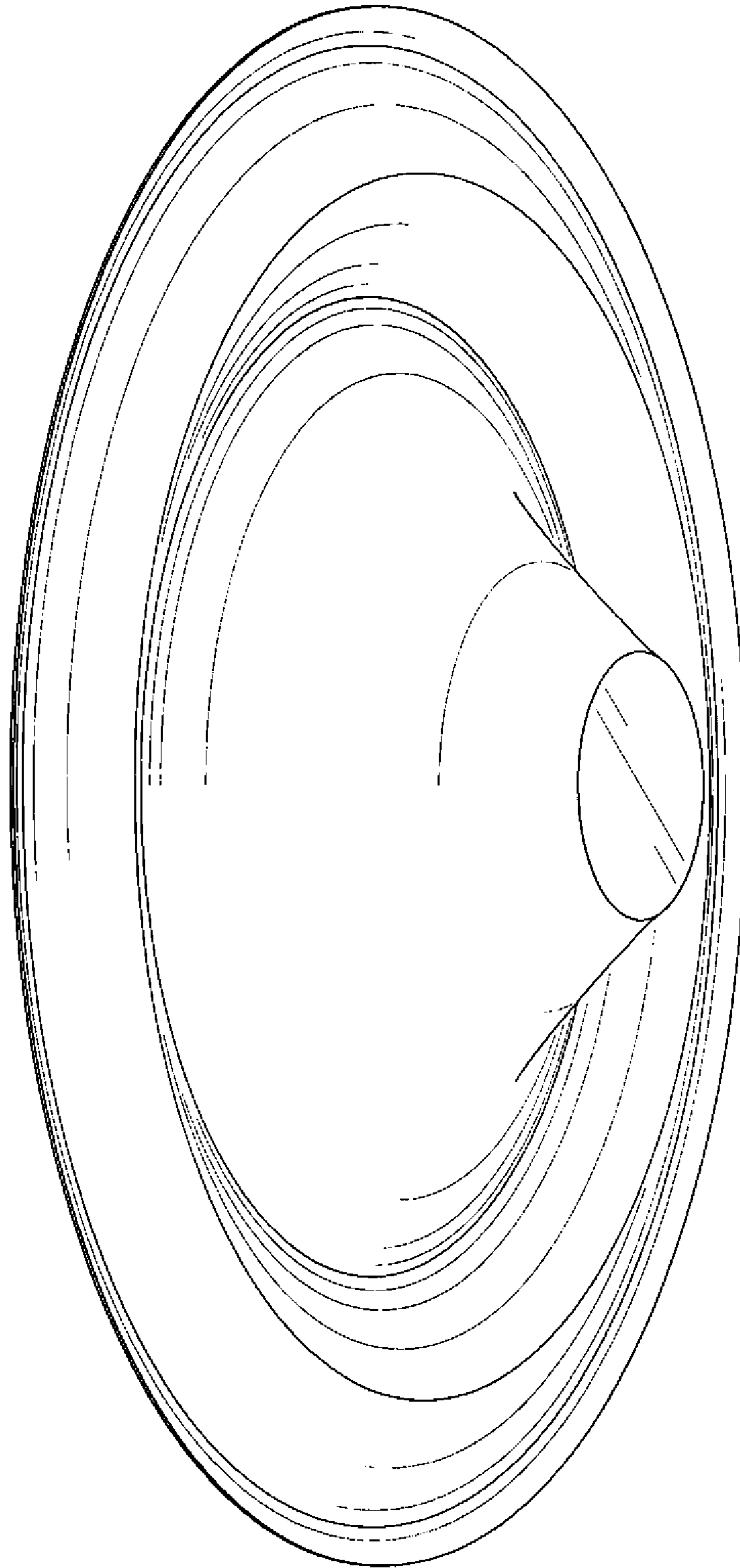


FIG. 10

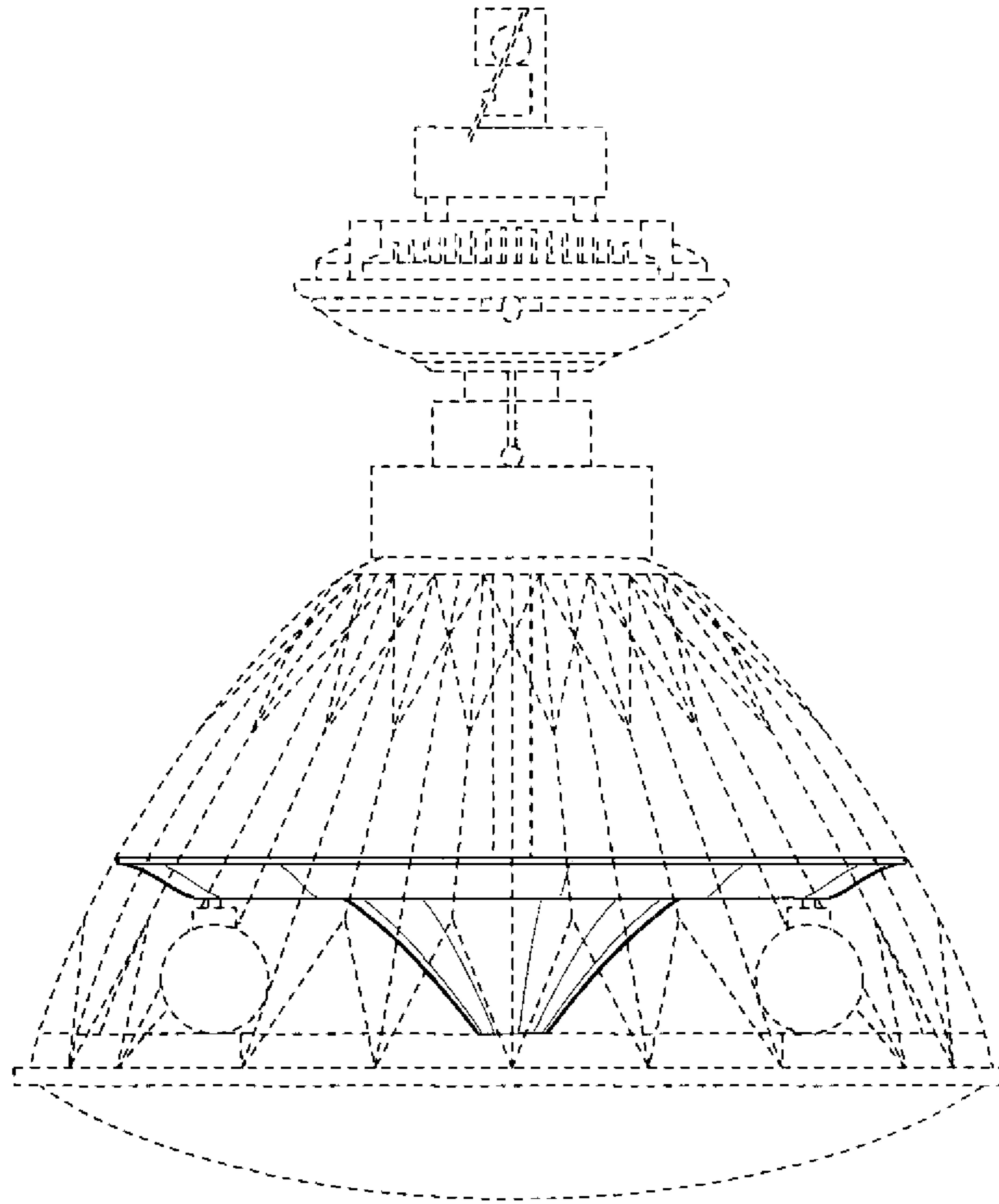


FIG. 11