



US00D659896S

(12) **United States Design Patent**
Gordin et al.

(10) **Patent No.:** **US D659,896 S**
(45) **Date of Patent:** **** May 15, 2012**

(54) **LIGHTING FIXTURE HOUSING**

(75) Inventors: **Myron Gordin**, Oskaloosa, IA (US);
Timothy J. Boyle, Oskaloosa, IA (US);
Chris P. Lickiss, Newton, IA (US);
Luke C. McKee, Oskaloosa, IA (US)

(73) Assignee: **Musco Corporation**, Oskaloosa, IA (US)

(**) Term: **14 Years**

(21) Appl. No.: **29/398,293**

(22) Filed: **Jul. 28, 2011**

(51) **LOC (9) Cl.** **26-99**

(52) **U.S. Cl.** **D26/118**

(58) **Field of Classification Search** 40/617,
40/553, 592; D16/101; D13/179, 180; D9/457;
D12/400; D8/354, 382; D10/11; D11/79,
D11/129, 125, 128, 126, 127, 124, 121, 122,
D11/123; D30/133; D6/462, 403; D20/41,
D20/42, 10; D25/100, 106; 362/343, 362,
362/246, 260, 256, 223, 125, 565, 647, 350,
362/102; D26/96, 95, 91, 92, 93, 28, 26,
D26/27, 144, 131, 94, 126, 24, 25, 140, 141,
D26/142, 143, 71, 72, 73, 74, 75, 76, 77,
D26/78, 79, 81, 113, 118, 119, 120, 121,
D26/122, 39, 138, 135, 139, 145, 155, 154,
D26/63, 64, 65, 66, 67, 68, 84, 85, 83, 82,
D26/1, 2, 3, 86, 88, 132, 133, 134, 60, 61,
D26/62, 123, 124, 125

See application file for complete search history.

(56) **References Cited**

U.S. PATENT DOCUMENTS

D57,300 S * 3/1921 Barrows D26/134
4,947,303 A * 8/1990 Gordin et al. 362/261

5,012,398 A * 4/1991 Jones et al. 362/249.07
D340,305 S * 10/1993 Hall et al. D26/68
D345,226 S * 3/1994 Tsao D26/63
5,402,327 A * 3/1995 Gordin et al. 362/298
D360,965 S * 8/1995 Cullen et al. D26/68
5,651,606 A * 7/1997 Krogman 362/96
D383,236 S * 9/1997 Krogman D26/63
D385,651 S * 10/1997 Stevens et al. D26/133
5,720,548 A * 2/1998 Geary 362/260
D400,997 S * 11/1998 Cheun et al. D26/63
D413,689 S * 9/1999 Hussaini et al. D26/29
5,964,522 A * 10/1999 Schaefer et al. 362/350
6,190,023 B1 * 2/2001 Leadford et al. 362/303
D452,027 S * 12/2001 Mashevsky D26/63

(Continued)

Primary Examiner — Kevin Rudzinski

(74) *Attorney, Agent, or Firm* — McKee, Voorhees & Sease, P.L.C.

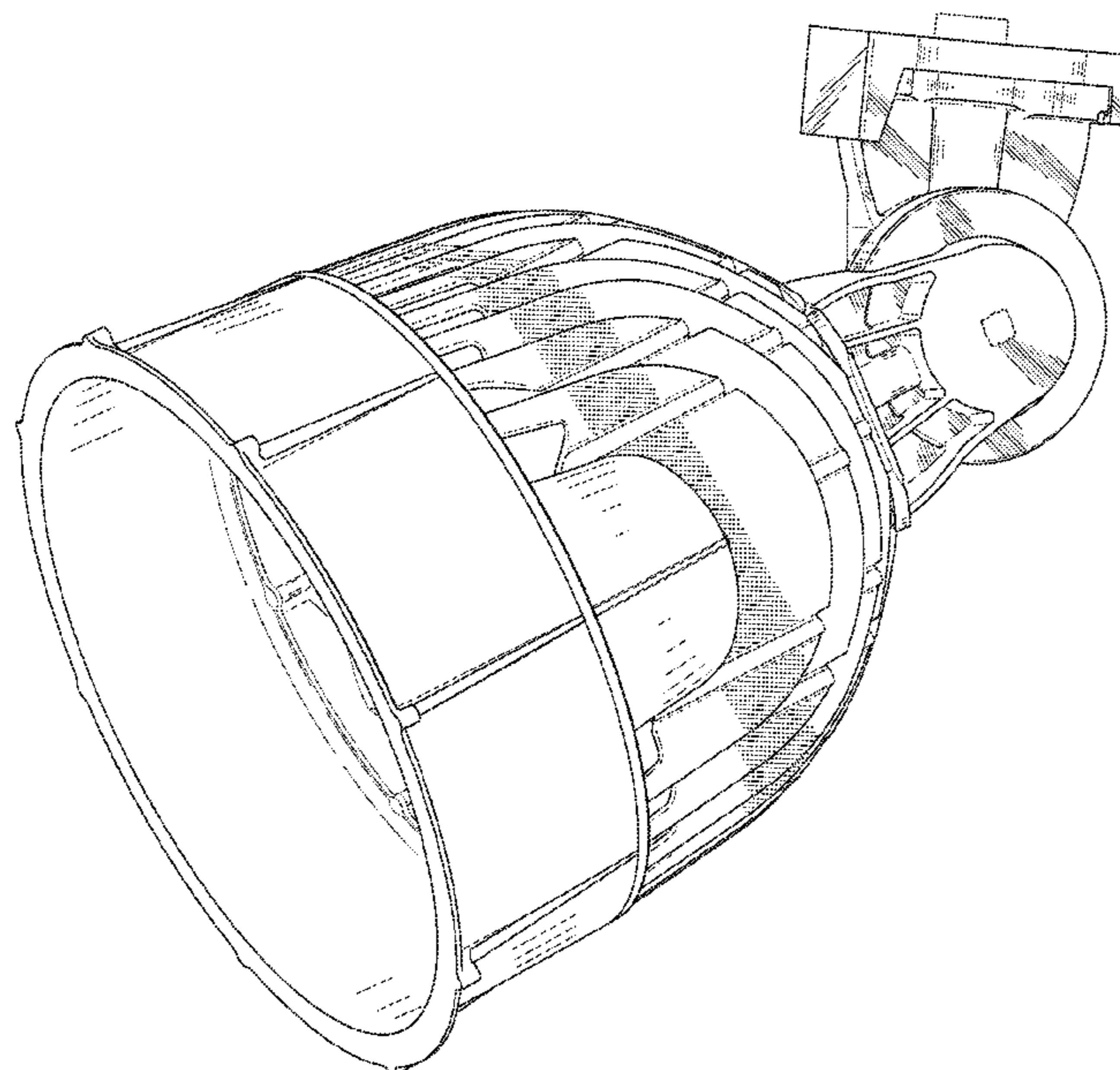
(57) **CLAIM**

The ornamental design for a lighting fixture housing, as shown and described.

DESCRIPTION

FIG. 1 is a perspective view of the claimed design in a typical operational orientation;
FIG. 2 is a top plan view of FIG. 1;
FIG. 3 is a bottom plan view of FIG. 1;
FIG. 4 is a front elevation view of FIG. 1;
FIG. 5 is a back elevation view of FIG. 1;
FIG. 6 is a right side elevation view of FIG. 1;
FIG. 7 is a left side elevation view of FIG. 1; and,
FIG. 8 is a section view taken along line 8-8 in FIG. 4.
The broken lines shown in the drawings illustrating unclaimed portions of the lighting fixture housing form no part of the claimed design.

1 Claim, 8 Drawing Sheets



US D659,896 S

Page 2

U.S. PATENT DOCUMENTS

6,502,965	B1 *	1/2003	Bradford	362/346	7,467,880	B2 *	12/2008	Gordin et al.	362/359
D495,079	S *	8/2004	Mullen	D26/63	D586,497	S *	2/2009	Wu et al.	D26/118
7,018,070	B2 *	3/2006	McCoy	362/260	D590,979	S *	4/2009	Mullen	D26/63
D518,909	S *	4/2006	Mullen	D26/61	D602,178	S *	10/2009	Foo	D26/2
D519,662	S *	4/2006	Mullen	D26/61	D606,691	S *	12/2009	Lindholm	D26/63
7,048,414	B2 *	5/2006	Weber	362/267	D610,723	S *	2/2010	Grajcar	D26/2
D542,959	S *	5/2007	Yao et al.	D26/68	D611,635	S *	3/2010	Gordin	D26/63
D546,997	S *	7/2007	Monroe et al.	D26/65	D633,248	S *	2/2011	Alexander et al.	D26/118
D562,486	S *	2/2008	Luke	D26/61	D642,703	S *	8/2011	Li et al.	D26/2
D567,422	S *	4/2008	Gordin et al.	D26/63	D642,719	S *	8/2011	Lindholm et al.	D26/63
D567,433	S *	4/2008	Gordin et al.	D26/128	D646,428	S *	10/2011	Gordin et al.	D26/118
D571,033	S *	6/2008	Gordin et al.	D26/72	2003/0147240	A1 *	8/2003	Gordin et al.	362/226

* cited by examiner

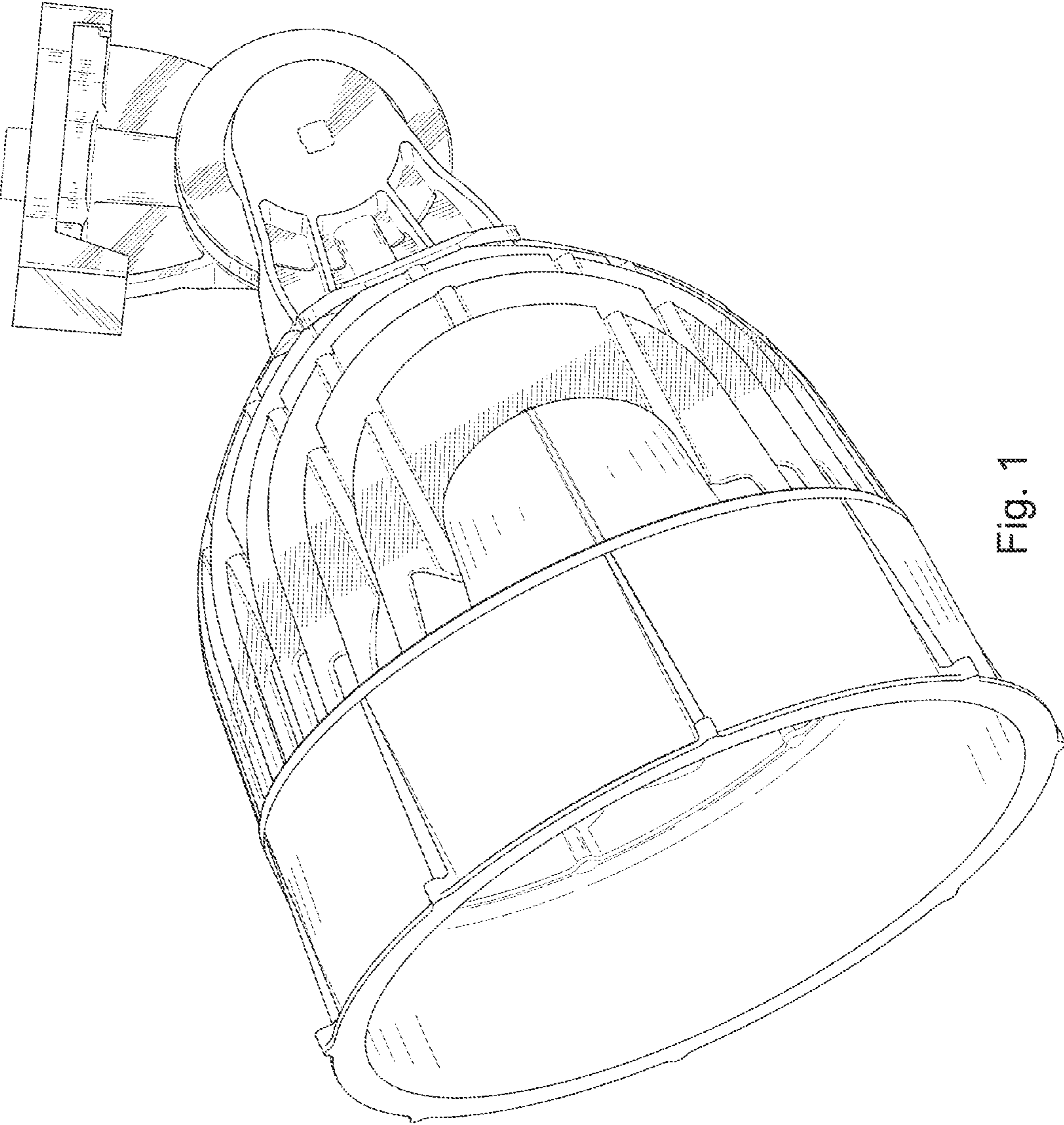


Fig. 1

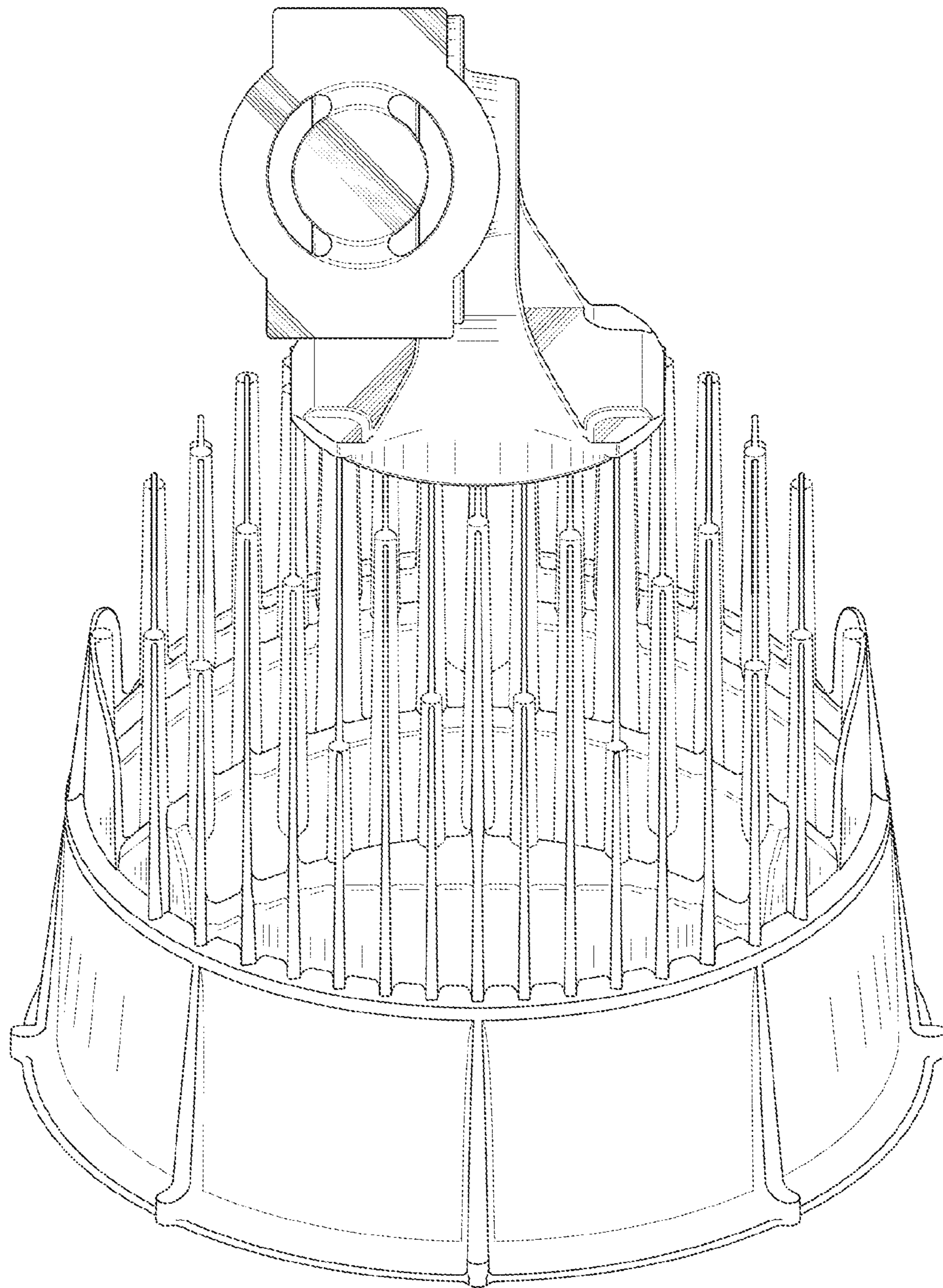


Fig. 2

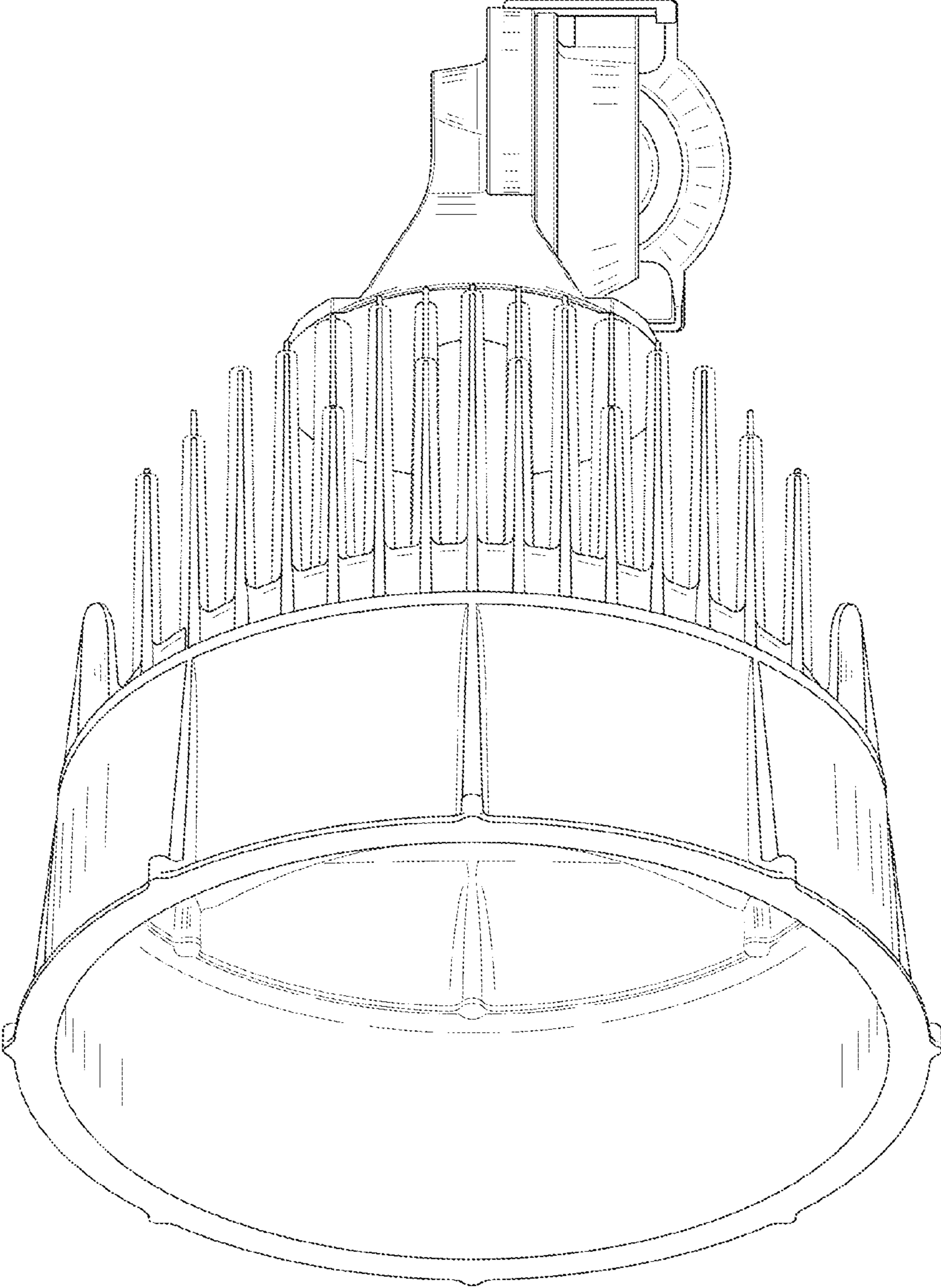


Fig. 3

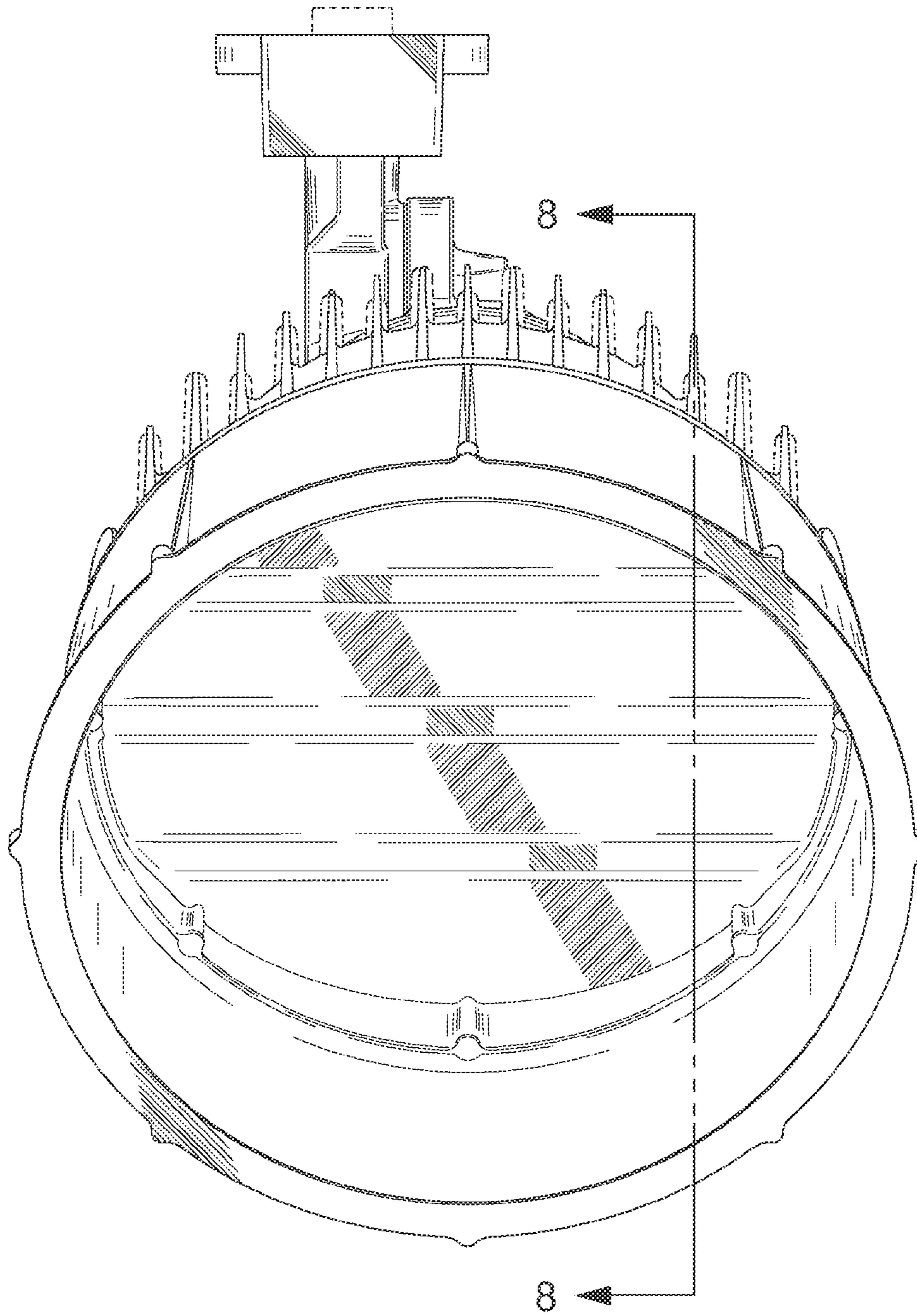


Fig. 4

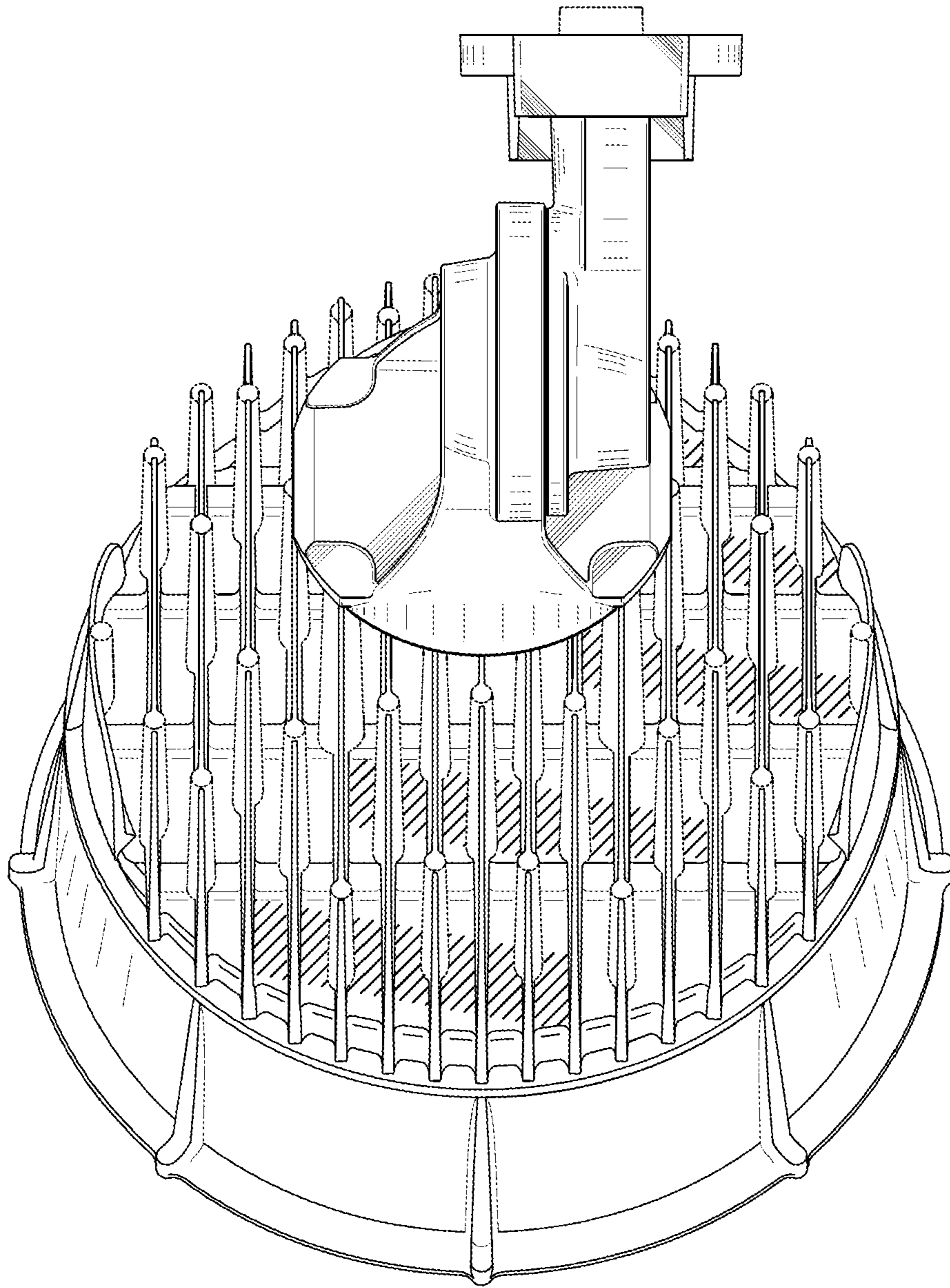


Fig. 5

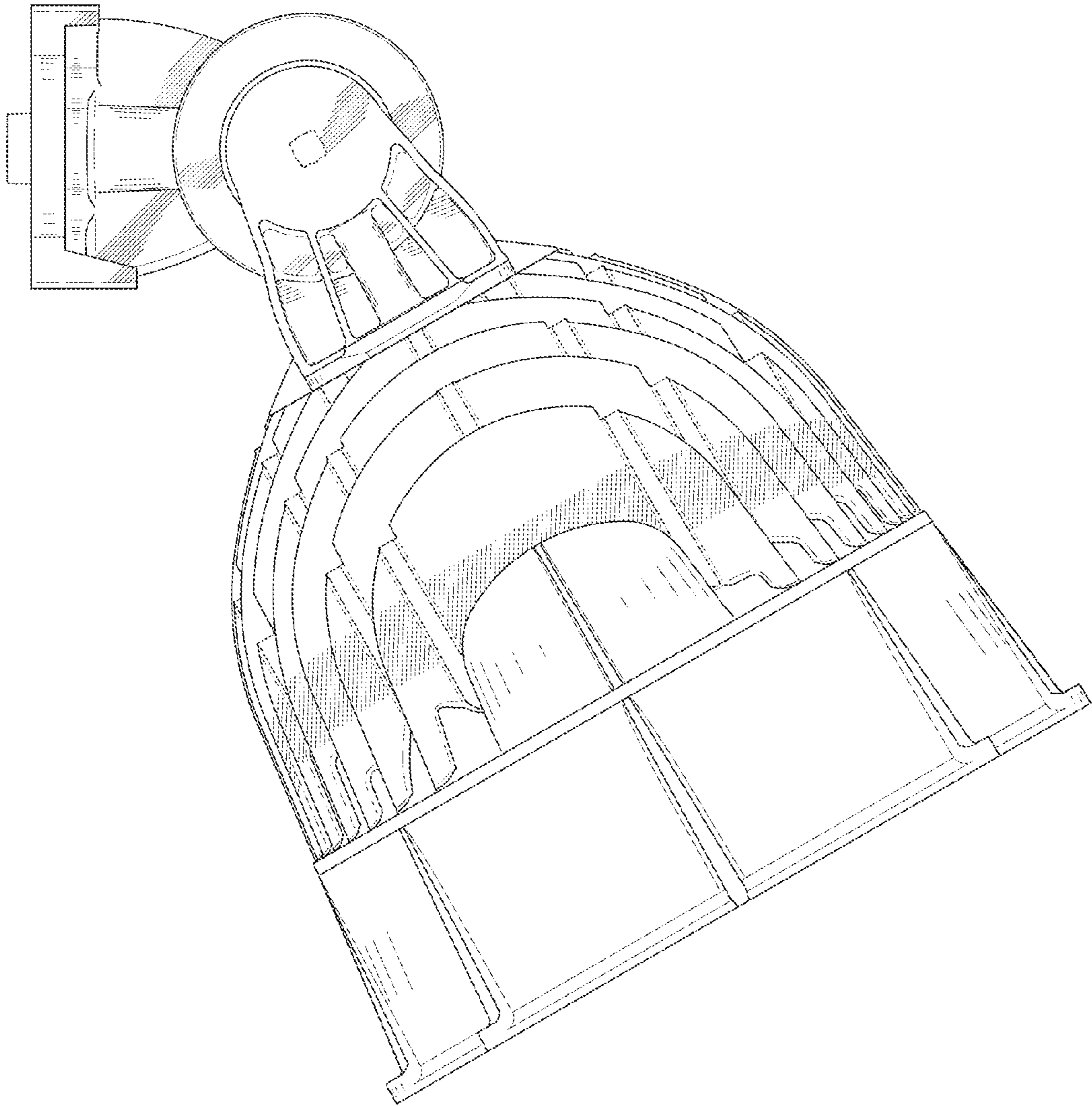


Fig. 6

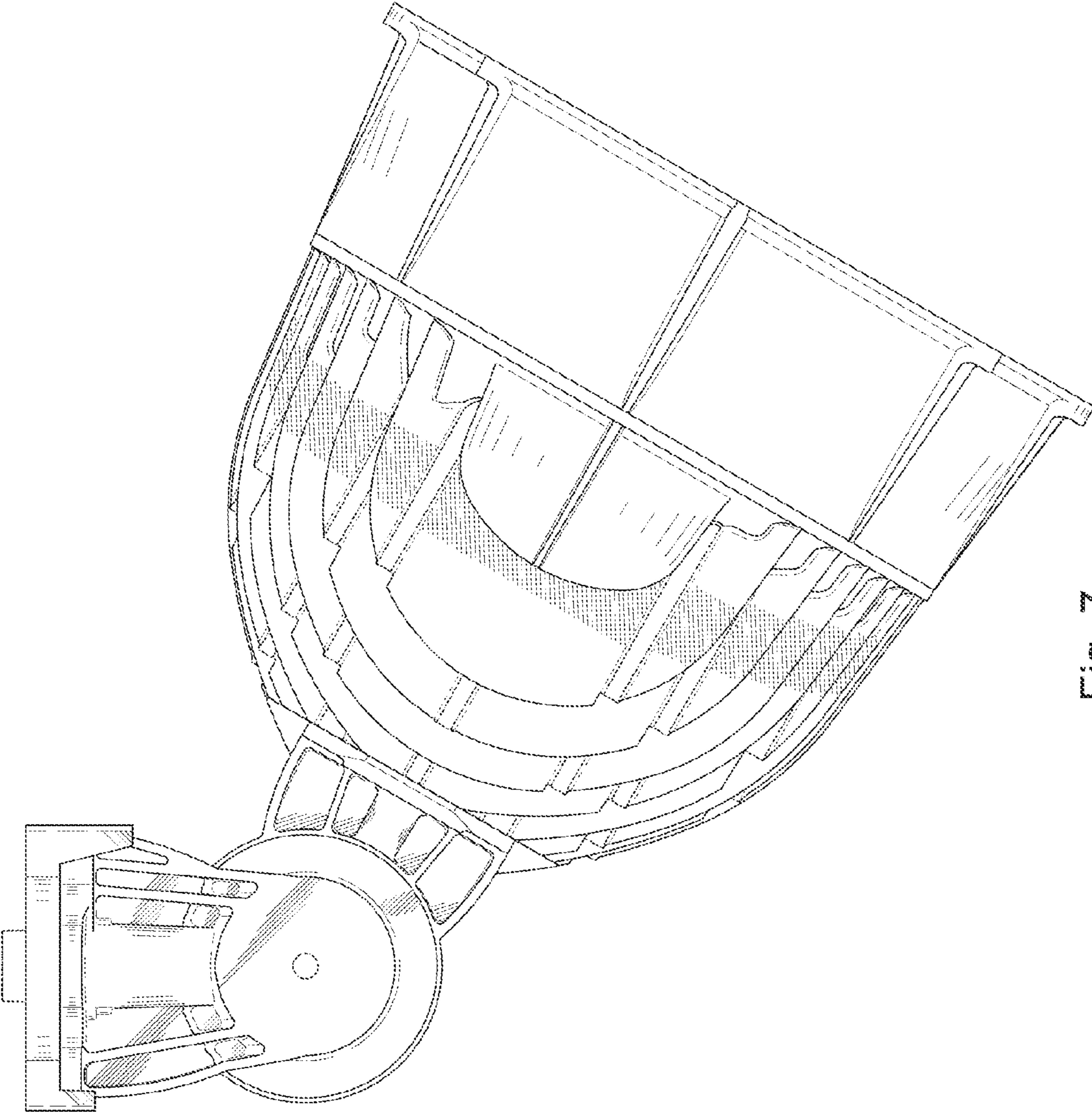


Fig. 7

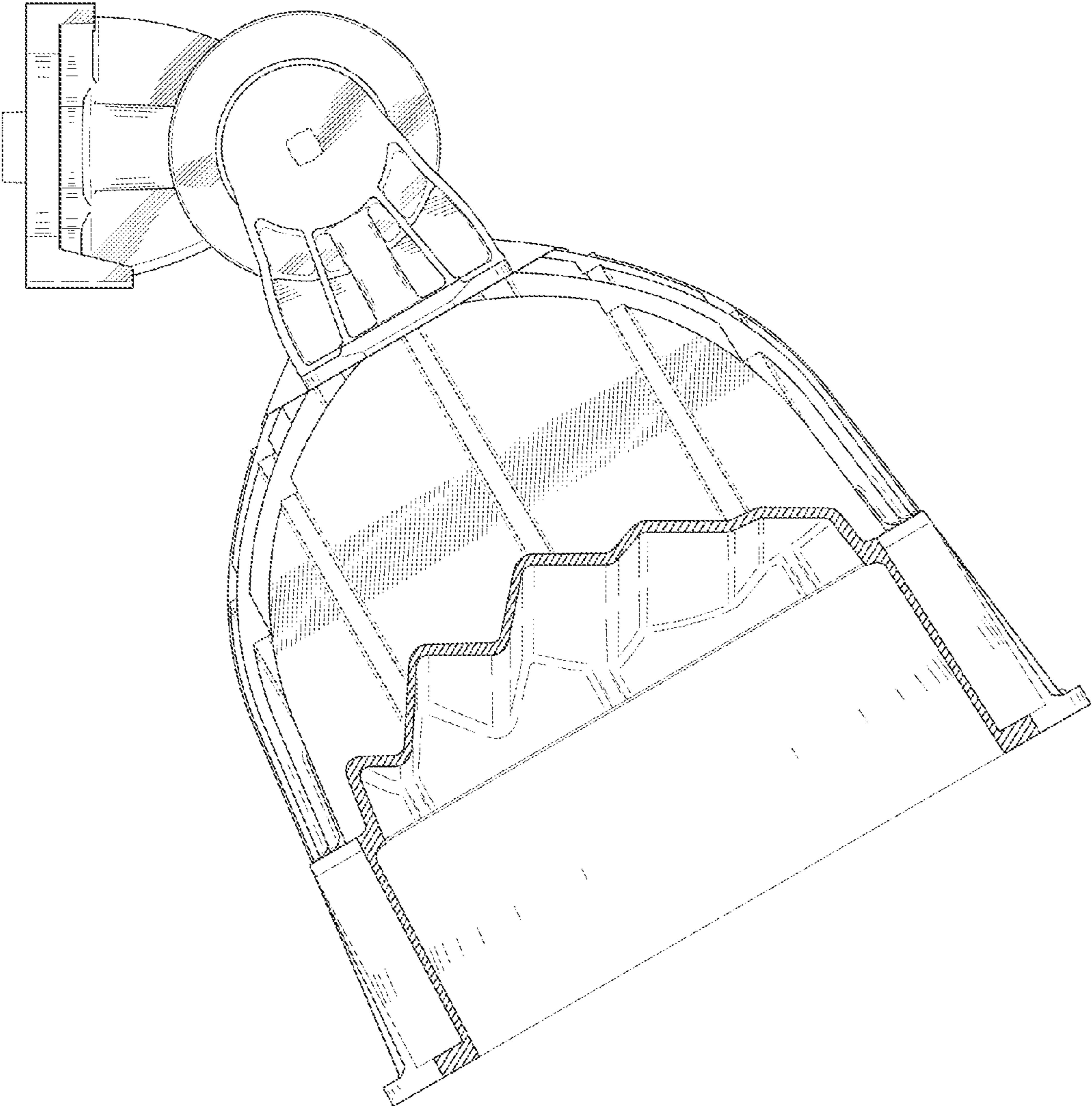


Fig. 8