



US00D659894S

(12) **United States Design Patent**
Orrom et al.

(10) **Patent No.:** **US D659,894 S**

(45) **Date of Patent:** **** May 15, 2012**

(54) **LAMPHEAD**

(75) Inventors: **James Orrom**, Dießen am Ammersee (DE); **Michael Jonischkeit**, Alxing (DE)

(73) Assignee: **Arnold & Richter Cine Technik GmbH & Co. Betriebs KG**, Munich (DE)

(**) Term: **14 Years**

(21) Appl. No.: **29/372,375**

(22) Filed: **Nov. 12, 2010**

(30) **Foreign Application Priority Data**

May 12, 2010 (DE) 40 2010 001 238
Aug. 31, 2010 (EM) 001234769-0002

(51) **LOC (9) Cl.** **26-99**

(52) **U.S. Cl.** **D26/118**

(58) **Field of Classification Search** D26/38,
D26/36, 46, 73, 76, 81, 84, 88, 118, 138,
D26/120, 13, 154, 155, 145, 86, 87, 85, 142,
D26/61, 24, 93, 92, 153, 91, 74, 121, 122,
D26/71, 110, 105, 111, 131, 83, 80, 1, 2,
D26/3, 4, 5, 26, 89, 123, 125, 128, 63, 62,
D26/64, 65, 41, 69, 139, 152, 150, 151, 141,
D26/143, 144, 51, 140; 362/269, 648, 238,
362/111, 105, 86, 373, 294, 362, 297, 346,
362/341, 356, 352, 433, 404, 235, 240, 249.01-249.11,
362/321, 287, 374, 427, 190, 281, 324, 272,
362/244, 555, 147, 348, 263, 350; D10/11,
D10/114.1; D22/108; 42/146, 117, 114,
42/115, 116, 142, 1.01; 439/110; 403/92,
403/97; 285/69, 78, 65; 257/89; D16/221;
D13/110, 133, 134, 179, 180, 182; 160/332;
D11/90, 89, 121, 125, 131; D25/119, 124,
D25/125, 138; D23/386; D8/373, 354, 349,
D8/389, 382, 363, 356, 377

See application file for complete search history.

(56) **References Cited**

U.S. PATENT DOCUMENTS

D271,043	S	*	10/1983	Parker	D26/63
4,692,844	A	*	9/1987	Galerie	362/3
D316,305	S	*	4/1991	Court	D26/63
D328,148	S	*	7/1992	Waldmann	D26/63
D329,917	S	*	9/1992	Galerie	D26/63
D340,305	S	*	10/1993	Hall et al.	D26/68
D370,990	S	*	6/1996	Lin	D26/63
D383,236	S	*	9/1997	Krogman	D26/63

(Continued)

OTHER PUBLICATIONS

ARRI Tungsten Studio Lighting, published prior to Jul. 29, 2003, 2 sheets.

Primary Examiner — Kevin Rudzinski

(74) *Attorney, Agent, or Firm* — Christie, Parker & Hale, LLP

(57) **CLAIM**

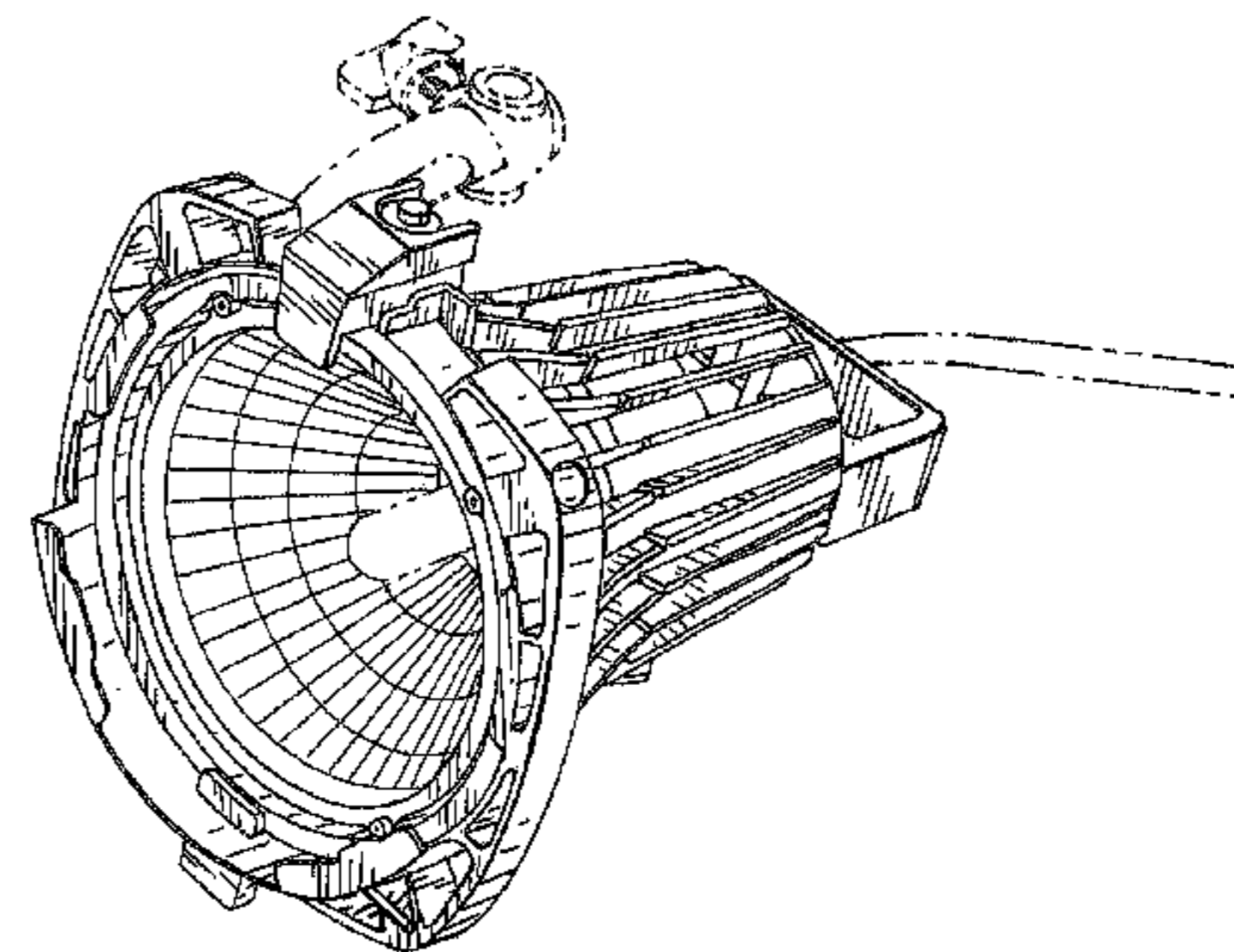
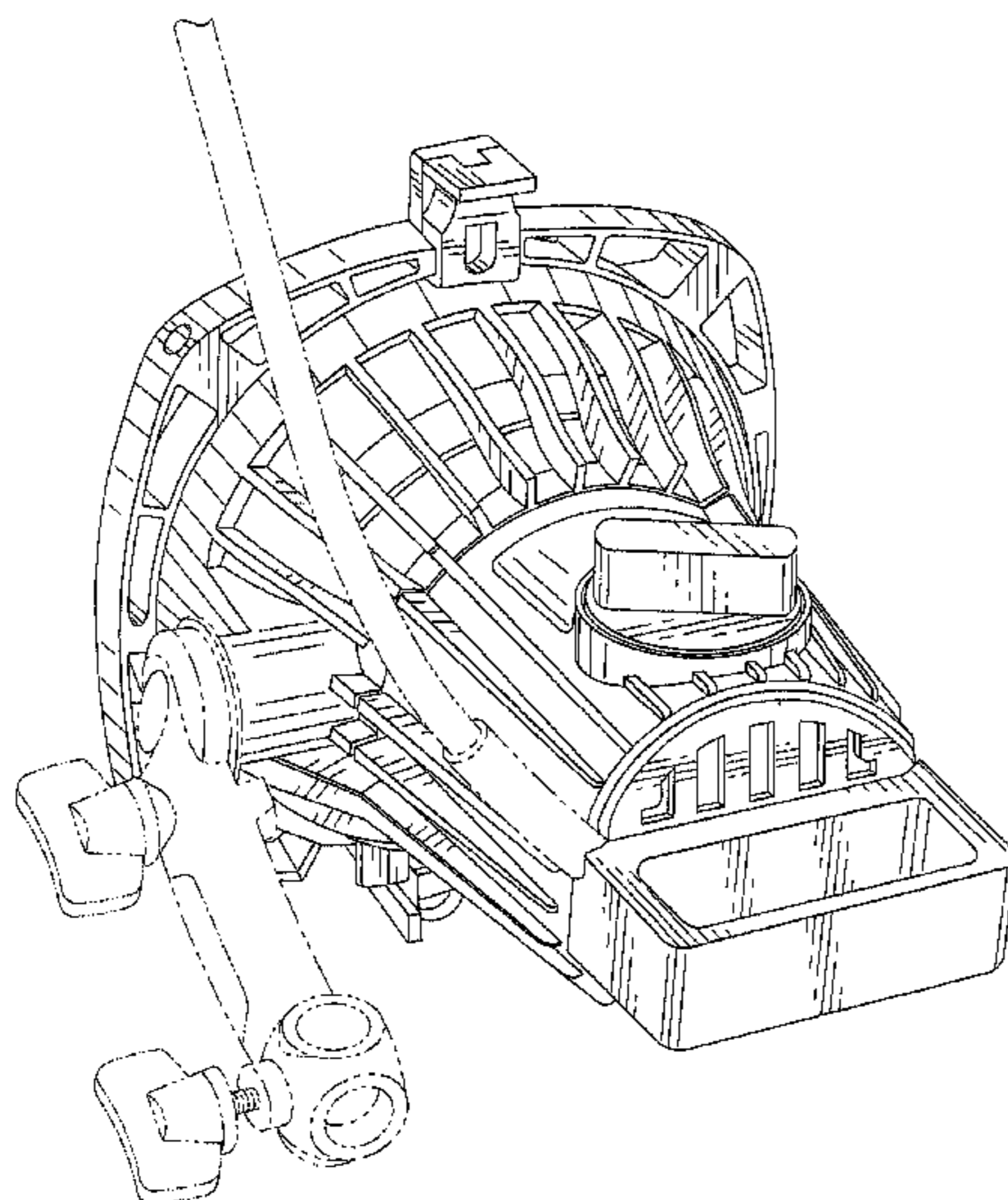
The ornamental design for lamphead, as shown and described.

DESCRIPTION

FIG. 1 is a top perspective view of the lamphead, with a stirrup for the lamphead;
FIG. 2 is a front perspective view thereof;
FIG. 3 is another top perspective view thereof;
FIG. 4 is another front perspective view thereof;
FIG. 5 is a back perspective view thereof;
FIG. 6 is a left side perspective view thereof; and,
FIG. 7 is a bottom perspective view thereof.

The power cord, the sheath at one end of the power cord, the fasteners on the bracket arm, the bracket arm and washer, and the light bulb and socket shown in broken lines and all other features shown in broken lines do not form part of the claimed design in this application.

1 Claim, 7 Drawing Sheets



US D659,894 S

Page 2

U.S. PATENT DOCUMENTS

D385,373 S *	10/1997	Wong	D26/63	D568,527 S	5/2008	Schlegel et al.	
D388,525 S *	12/1997	Lowell et al.	D26/63	D587,833 S *	3/2009	Bina et al.	D26/63
D425,232 S *	5/2000	Chang	D26/63	D629,930 S *	12/2010	Cotter et al.	D26/2
D465,588 S *	11/2002	Nagano	D26/28	D634,871 S *	3/2011	Wooh	D26/63
D563,035 S *	2/2008	Schlegel et al.	D26/118				

* cited by examiner

FIG. 1

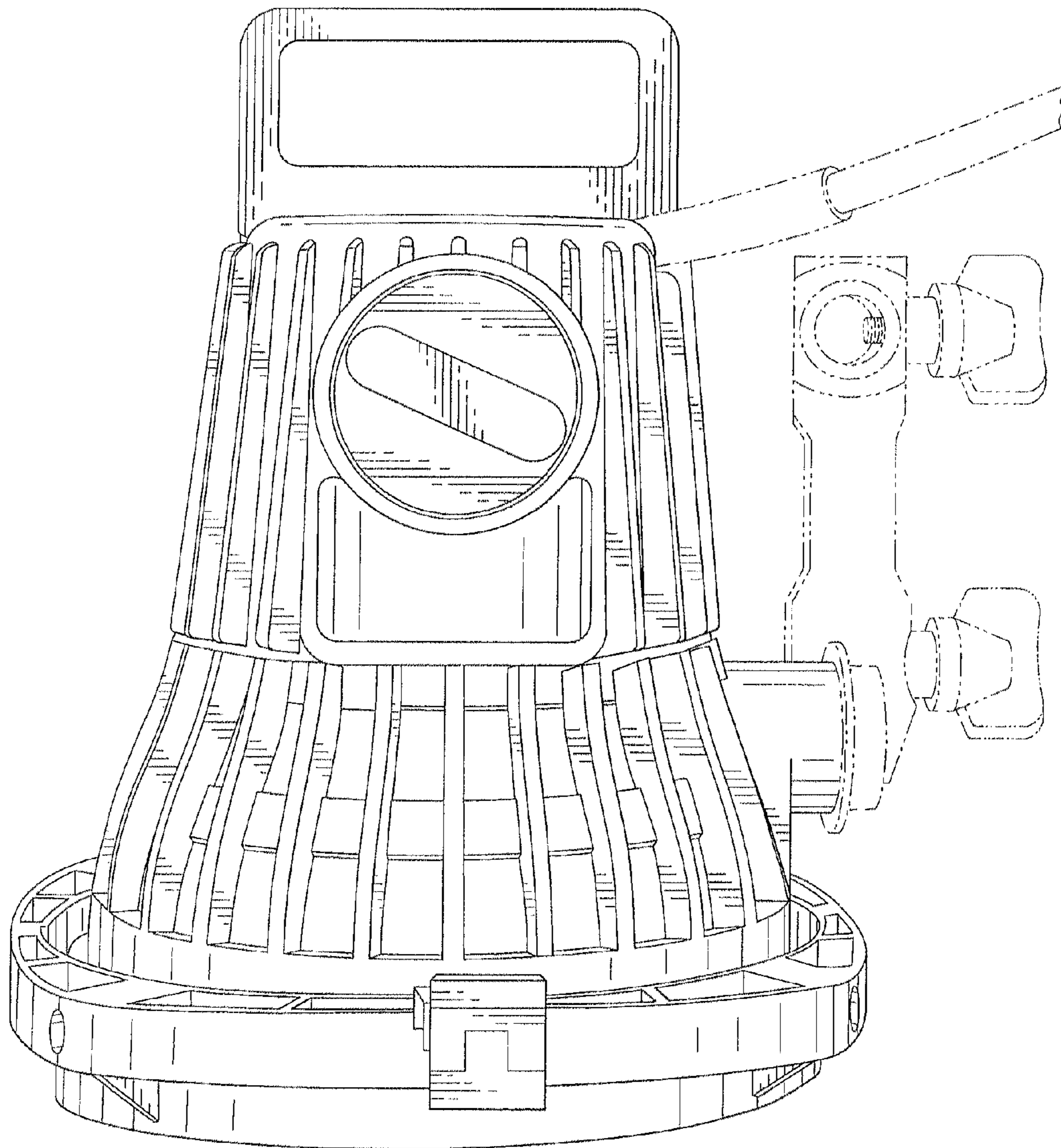


FIG. 2

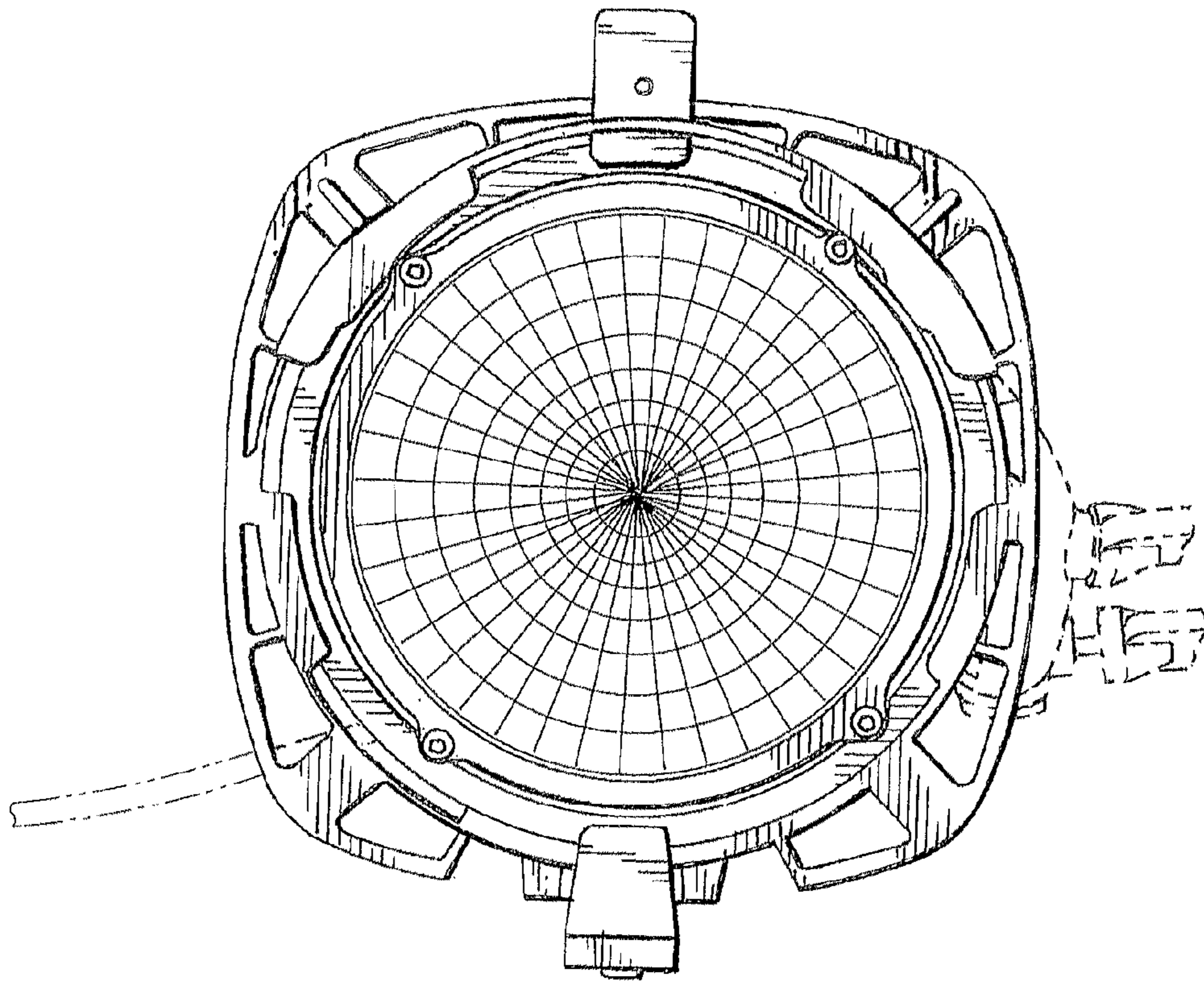


FIG. 3

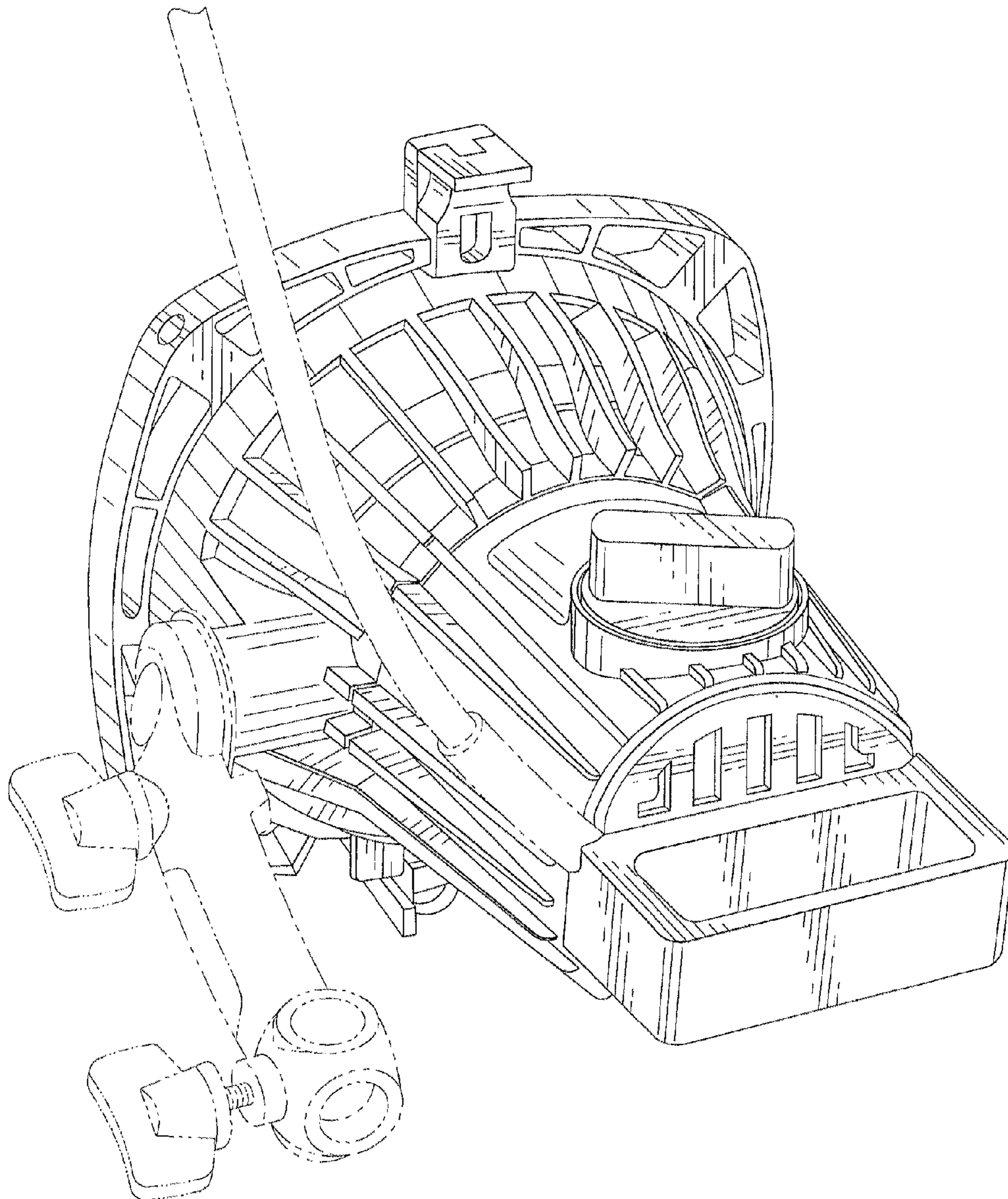
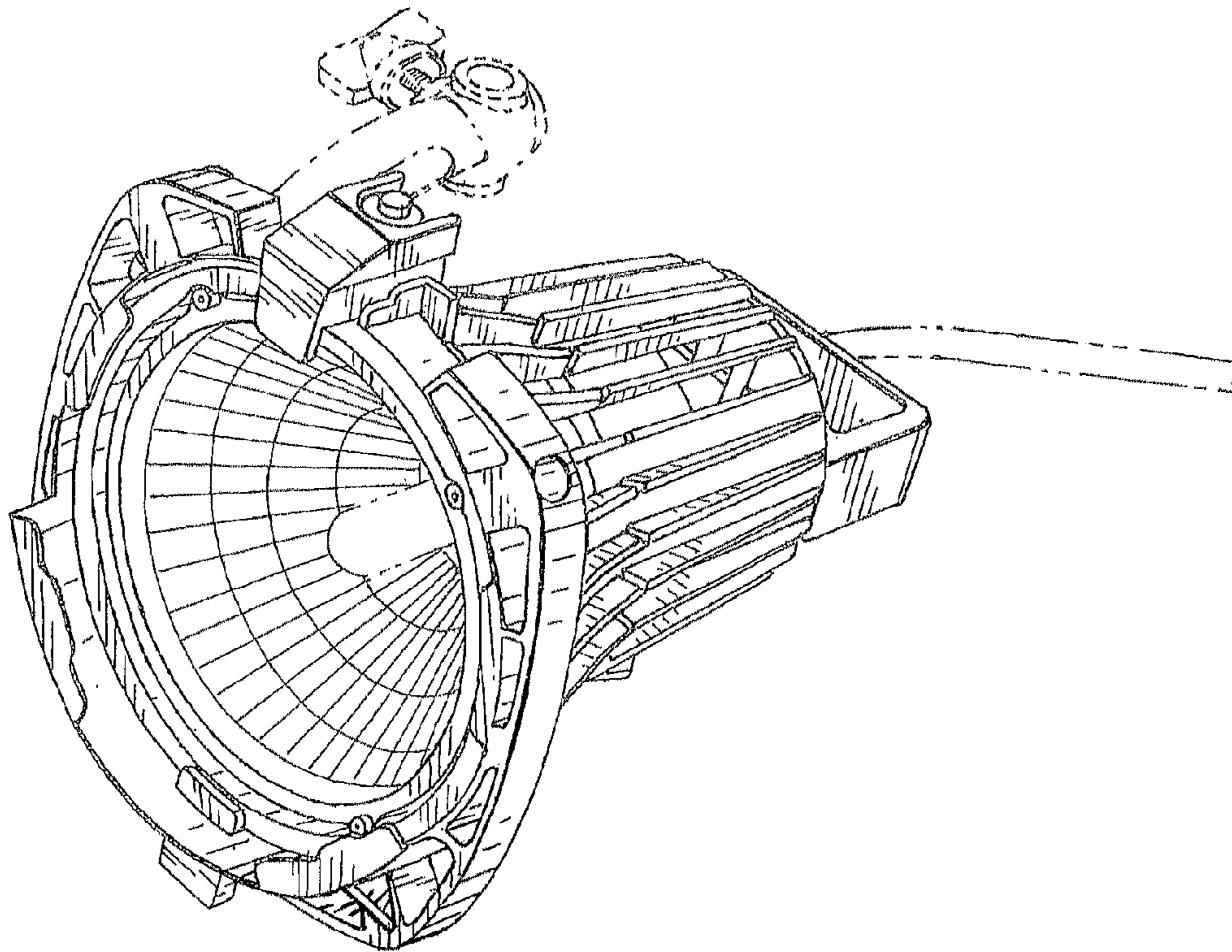


FIG. 4



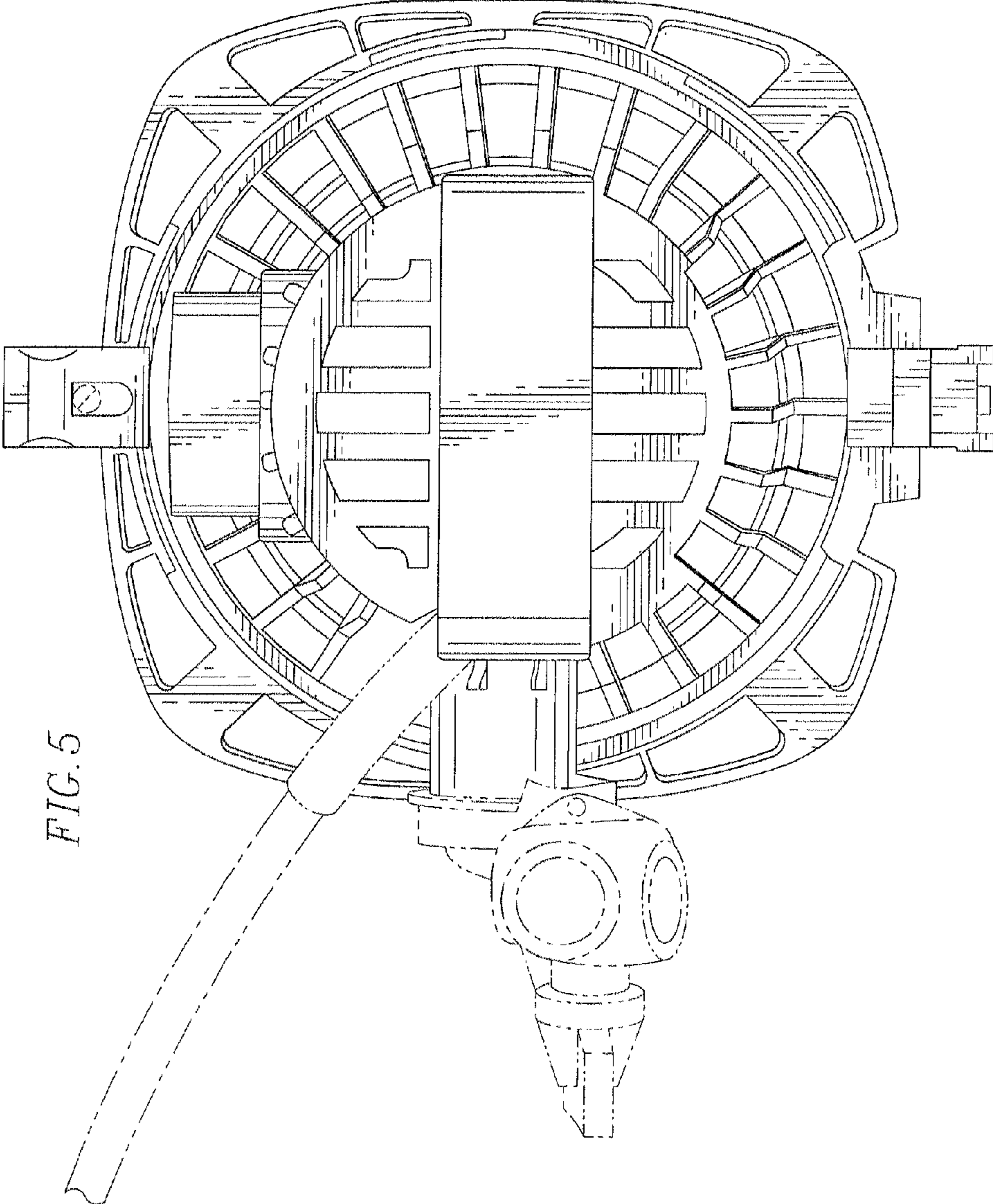


FIG. 5

FIG. 6

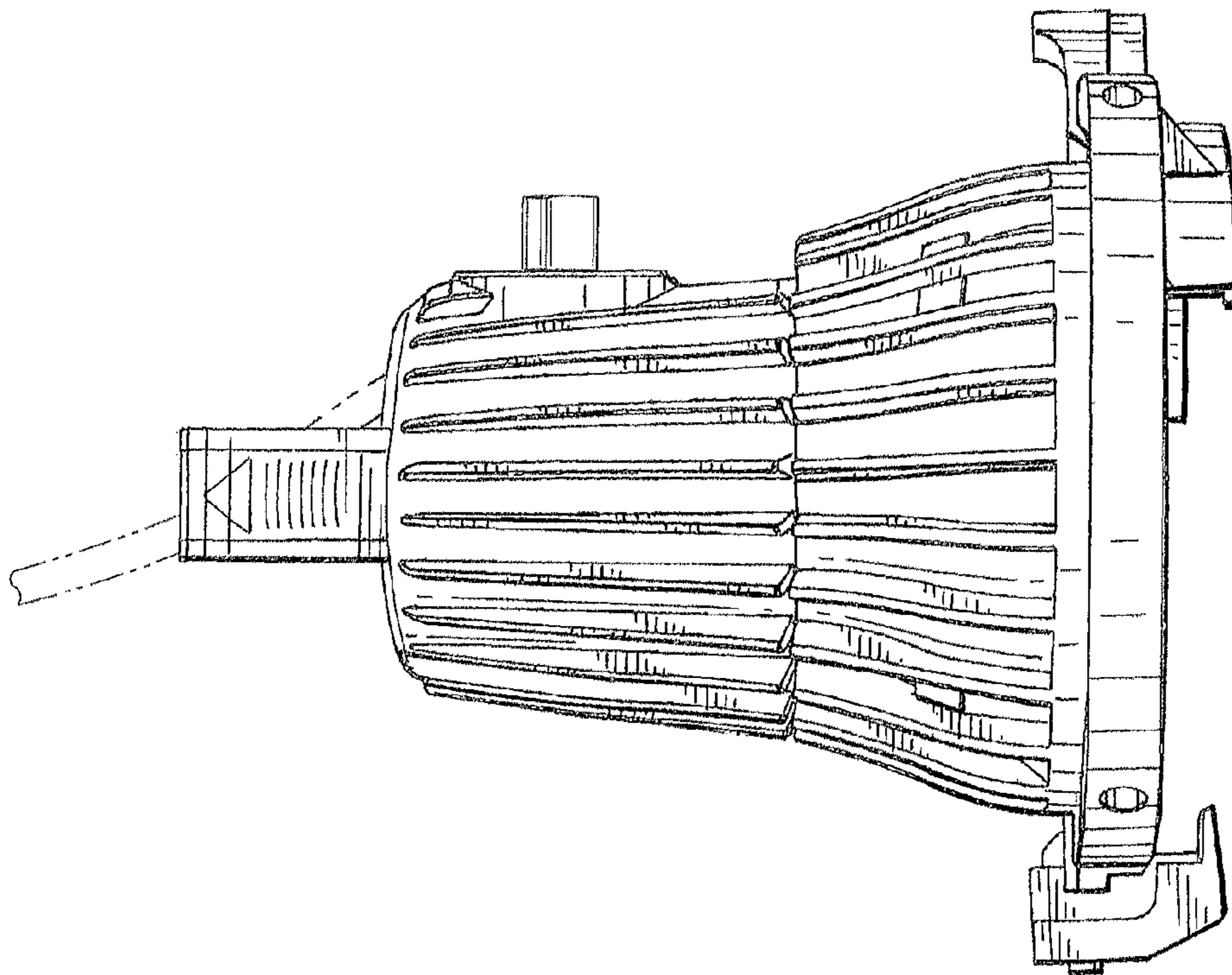


FIG. 7

