



US00D659893S

(12) **United States Design Patent**  
**Ding et al.**

(10) **Patent No.:** **US D659,893 S**  
(45) **Date of Patent:** **\*\* May 15, 2012**

- (54) **LAMP CUP**
- (75) Inventors: **Genglin Ding**, Shenzhen (CN); **Lei Yi**, Shenzhen (CN); **Xinshen Xue**, Shenzhen (CN)
- (73) Assignee: **Civilight Shenzhen Semiconductor Lighting Co., Ltd.**, Hongfa Hi-Tech Park, Shiyan, Bao'An District, Shenzhen (CN)
- (\*\*) Term: **14 Years**
- (21) Appl. No.: **29/399,731**
- (22) Filed: **Aug. 17, 2011**
- (30) **Foreign Application Priority Data**

Jul. 19, 2011 (CN) ..... 2011 3 0230556

- (51) **LOC (9) Cl.** ..... **26-99**
- (52) **U.S. Cl.** ..... **D26/113**
- (58) **Field of Classification Search** ..... 248/343; D13/179, 180, 134, 146; 361/697; 362/218, 362/223, 260, 346, 364, 362, 382, 147, 547, 362/150, 219, 220, 224, 247, 354, 555, 343, 362/511; D24/210; D23/328; D26/118, D26/120, 113, 119, 121, 122, 123, 124, 125, D26/126, 128, 129, 130, 131, 132, 135, 138, D26/140, 141, 142, 152, 24, 25, 59, 60, 61, D26/72, 74, 75, 76, 77, 78, 88, 85, 87, 89, D26/90, 91, 153, 154, 155, 143, 144, 145, D26/71, 67, 65, 64, 1, 2, 3  
See application file for complete search history.

(56) **References Cited**

**U.S. PATENT DOCUMENTS**

- 5,465,025 A \* 11/1995 Hendrickson ..... 313/318.09
- D421,138 S \* 2/2000 Kato et al. .... D26/3
- 6,080,019 A \* 6/2000 Coughaine ..... 439/611
- D429,024 S \* 8/2000 Dolan ..... D26/142

- D508,575 S \* 8/2005 Buschmann et al. .... D26/2
- D553,267 S \* 10/2007 Yuen ..... D26/2
- D582,577 S \* 12/2008 Yuen ..... D26/2
- D598,143 S \* 8/2009 Gerritsen ..... D26/2
- D610,277 S \* 2/2010 Lee ..... D26/2
- D619,739 S \* 7/2010 Hofmann et al. .... D26/2
- D623,778 S \* 9/2010 Moon et al. .... D26/2
- D630,349 S \* 1/2011 Pei et al. .... D26/2
- D630,773 S \* 1/2011 Li et al. .... D26/2
- D634,031 S \* 3/2011 de Visser et al. .... D26/2
- D634,032 S \* 3/2011 de Visser ..... D26/2
- D634,452 S \* 3/2011 de Visser ..... D26/2
- D642,329 S \* 7/2011 Weiss ..... D26/142
- D645,989 S \* 9/2011 Cheng ..... D26/2
- D647,637 S \* 10/2011 Breidenassel et al. .... D26/2
- D647,639 S \* 10/2011 Lee et al. .... D26/2
- D647,641 S \* 10/2011 Lin et al. .... D26/2
- D648,452 S \* 11/2011 Breidenassel et al. .... D26/2

\* cited by examiner

*Primary Examiner* — Kevin Rudzinski

(74) *Attorney, Agent, or Firm* — Shimokaji & Associates, P.C.

(57) **CLAIM**

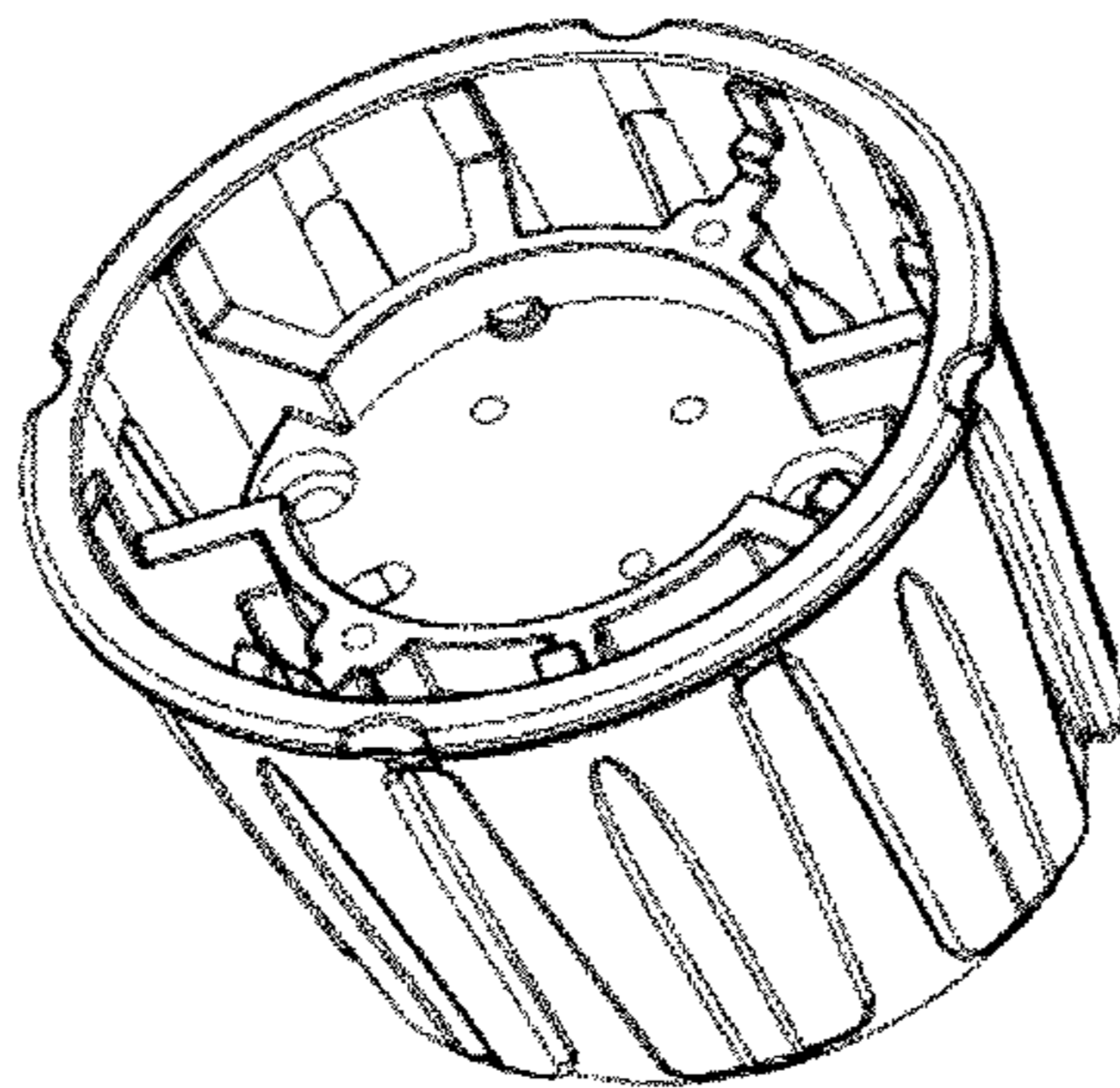
The ornamental design for a “lamp cup,” as shown and described.

**DESCRIPTION**

FIG. 1 is a front perspective view of a lamp cup showing our new design;  
FIG. 2 is a front elevational view thereof;  
FIG. 3 is a rear elevational view thereof;  
FIG. 4 is a left side elevational view thereof;  
FIG. 5 is a right side elevational view thereof;  
FIG. 6 is a top plan view thereof; and,  
FIG. 7 is a bottom plan view thereof.

The broken line showing of inner surfaces of FIG. 6 is for the purpose of illustrating portions of the article and forms no part of the claimed design. The broken lines showing bottom features of FIG. 7 are for the purpose of illustrating portions of the article and form no part of the claimed design.

**1 Claim, 6 Drawing Sheets**



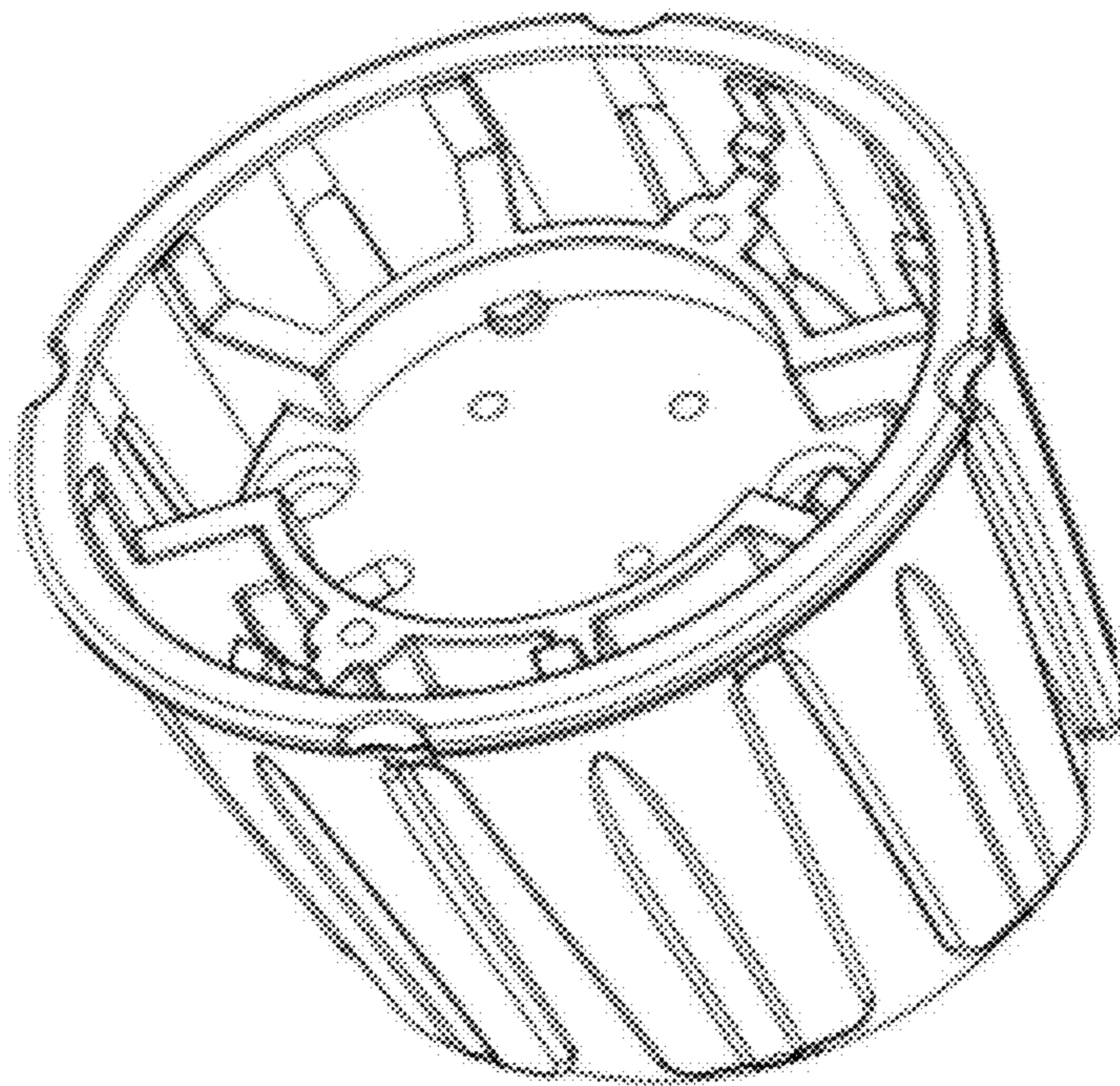


FIG. 1

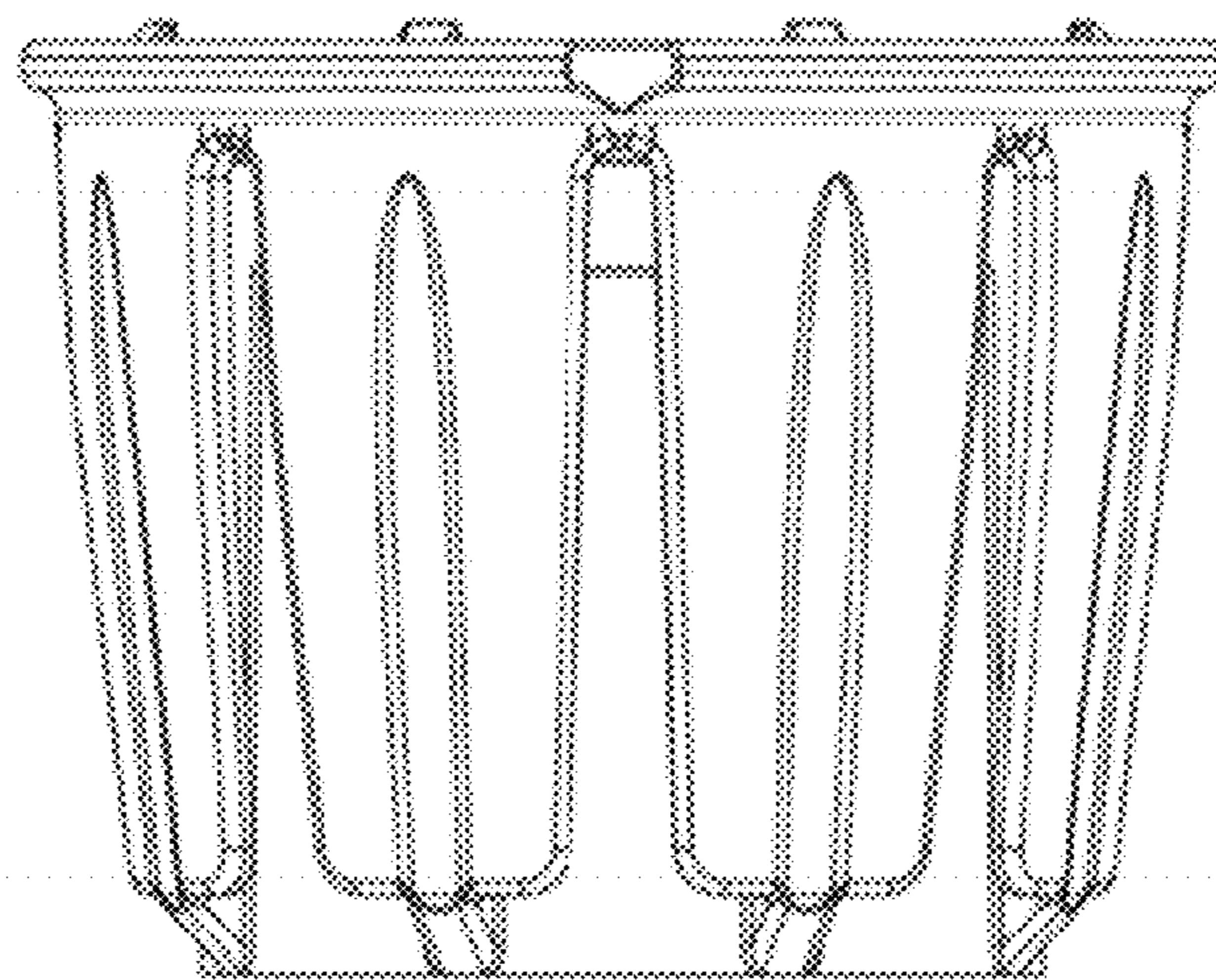


FIG. 2



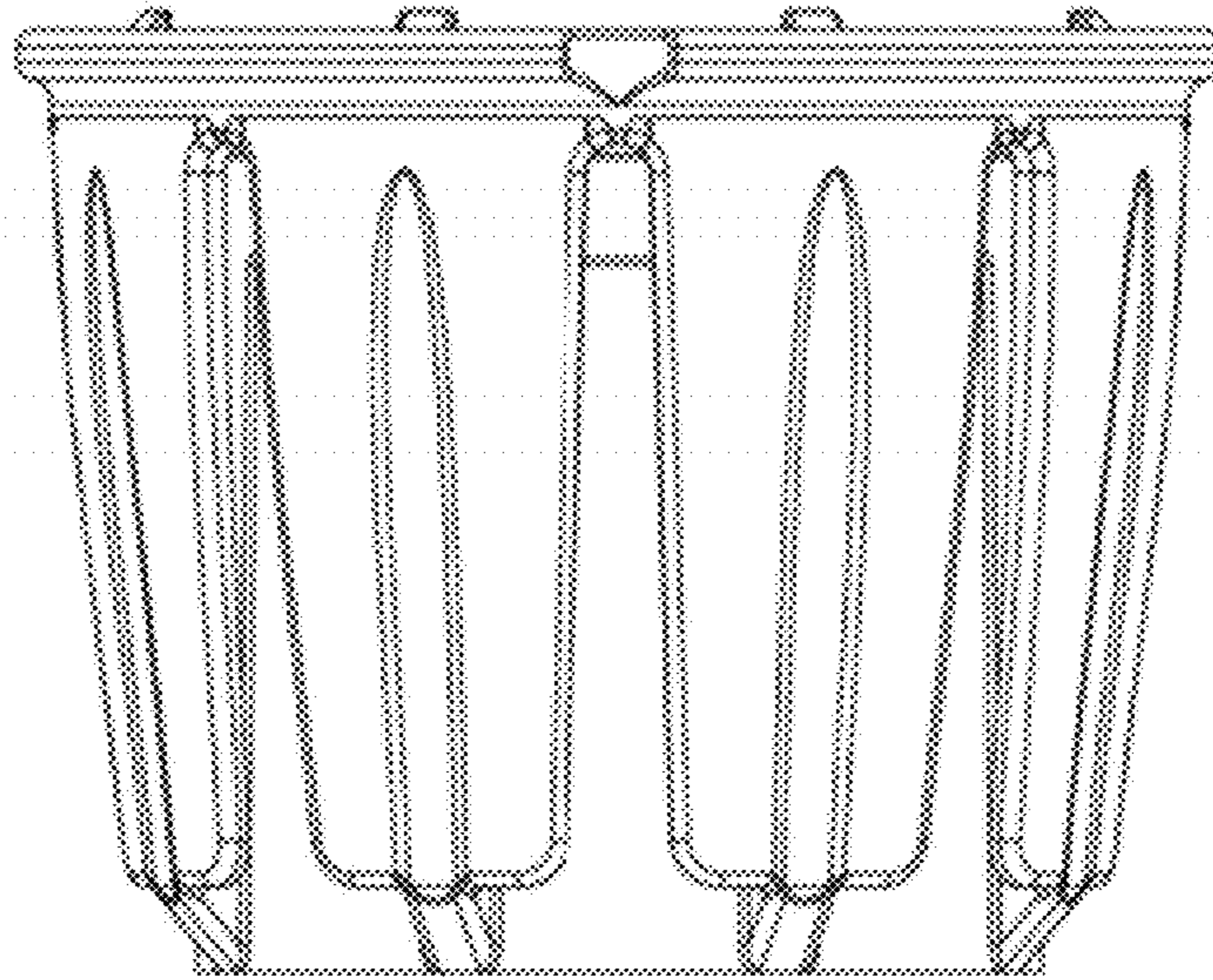


FIG. 3

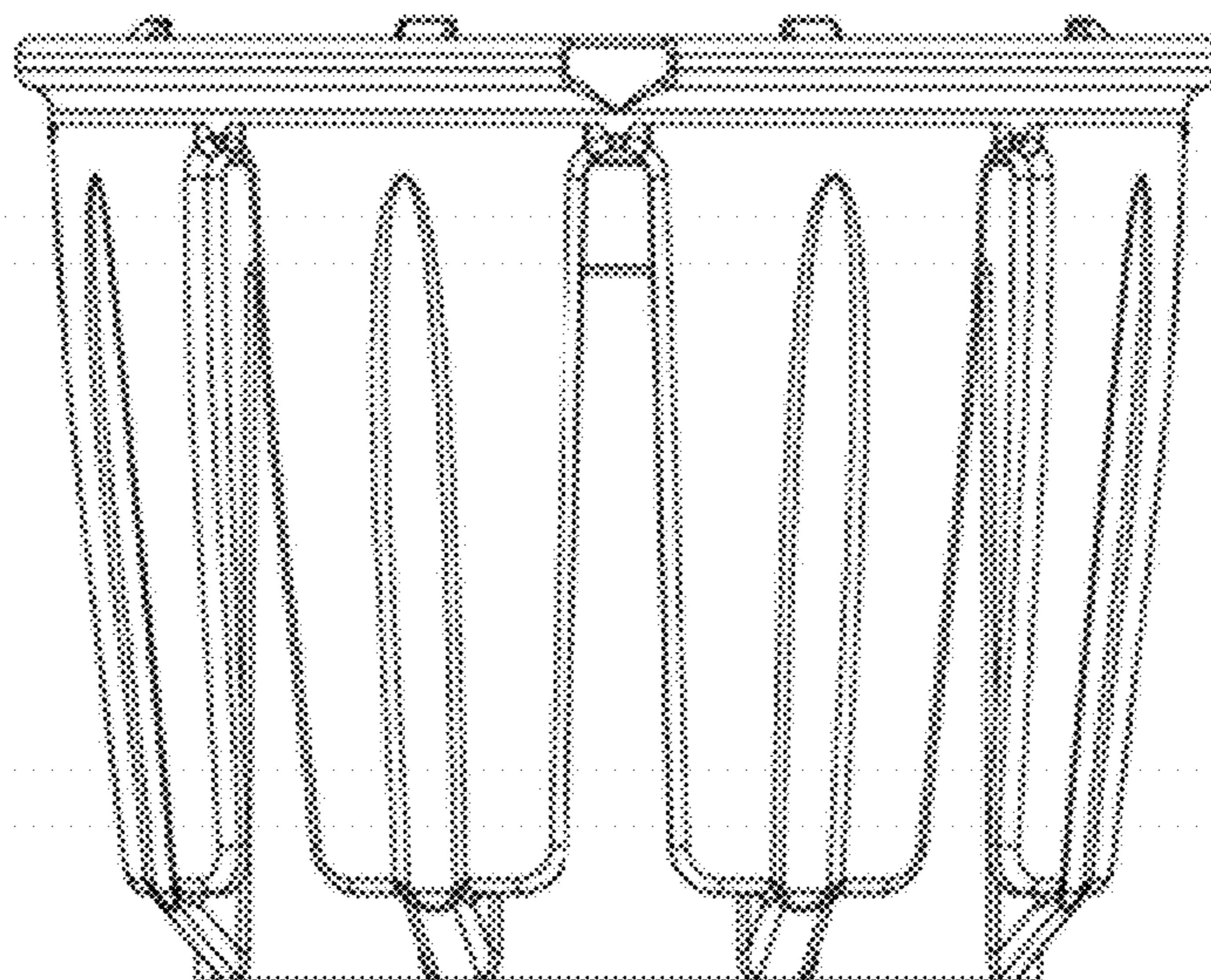


FIG. 4

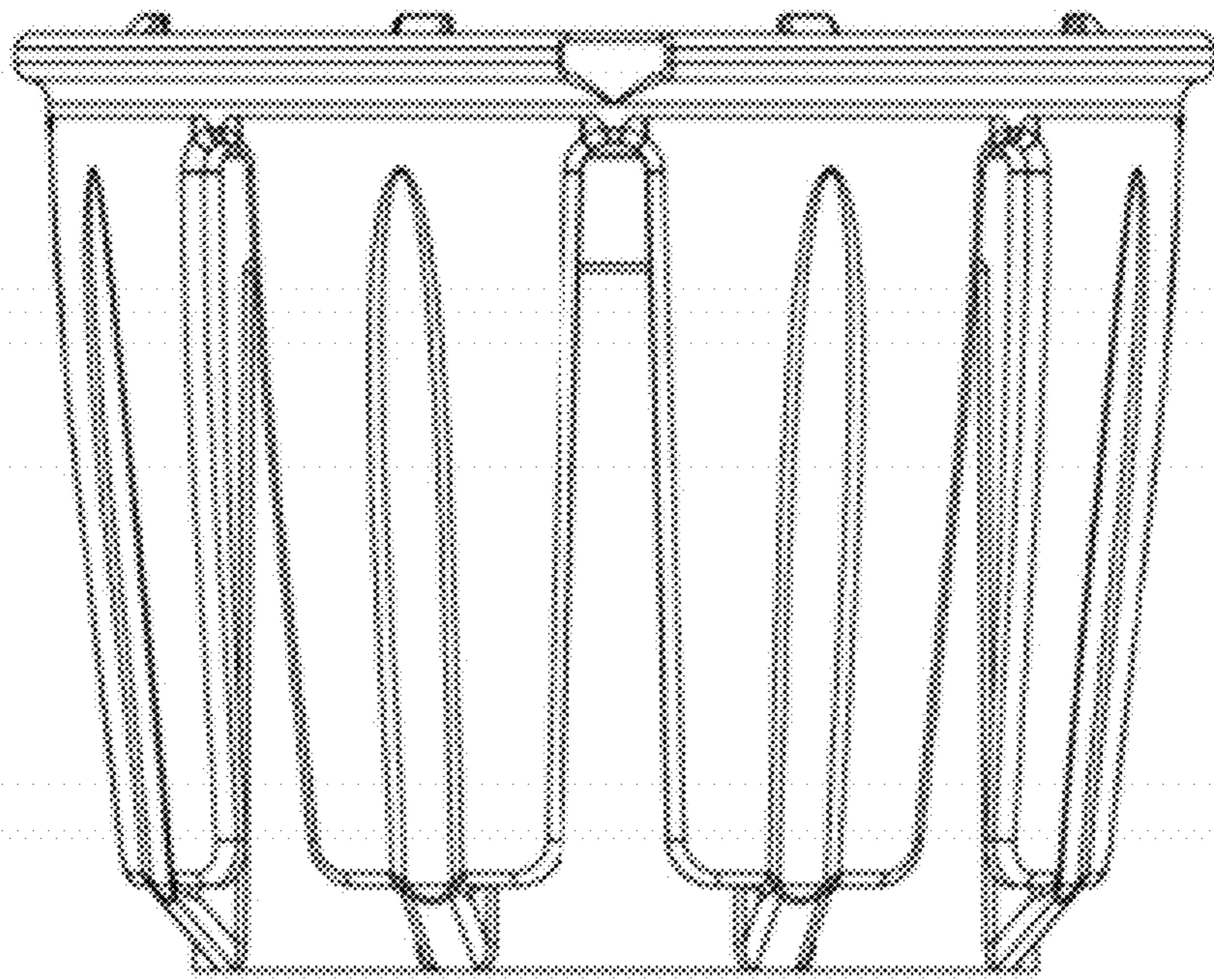


FIG. 5

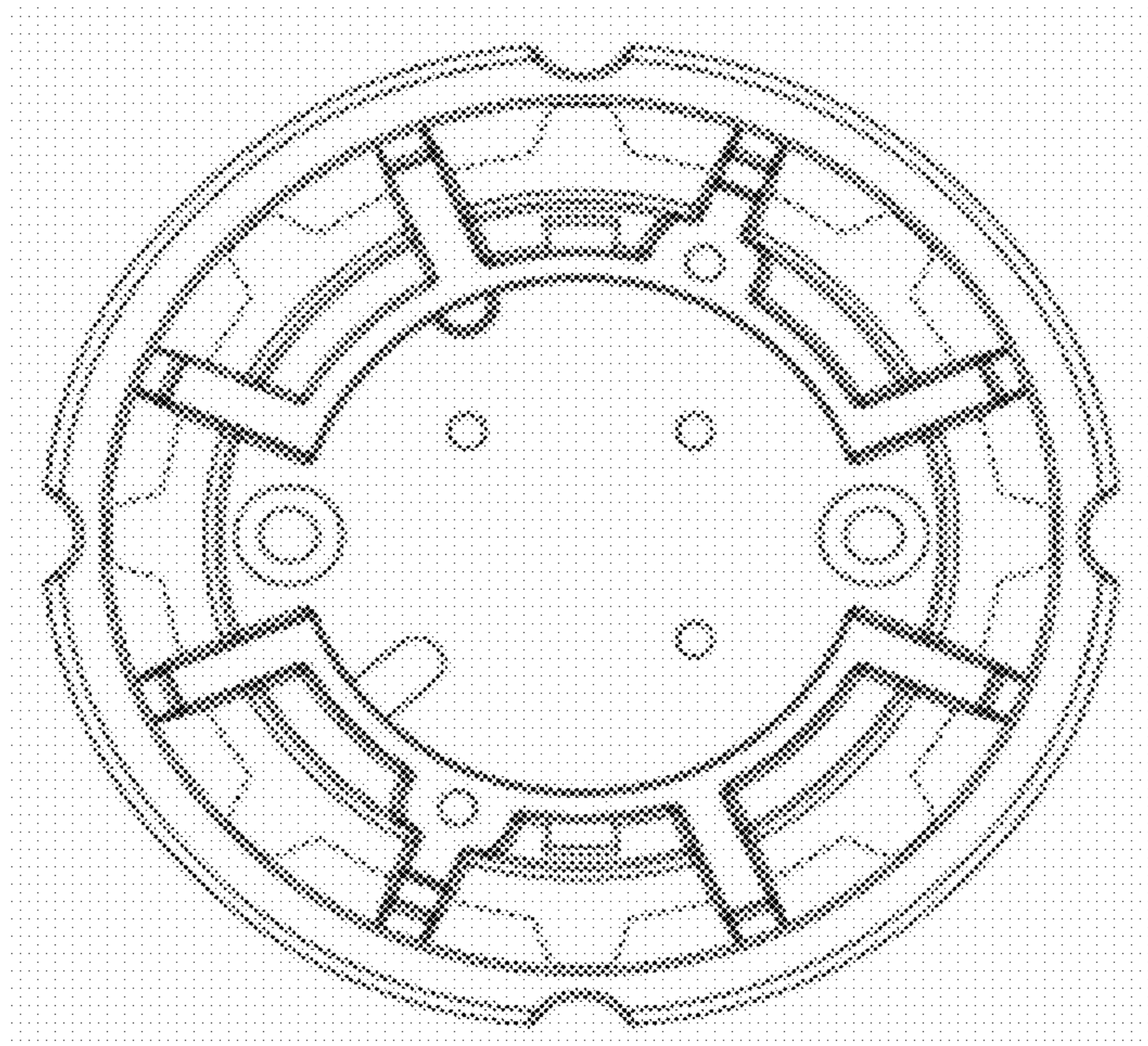


FIG. 6



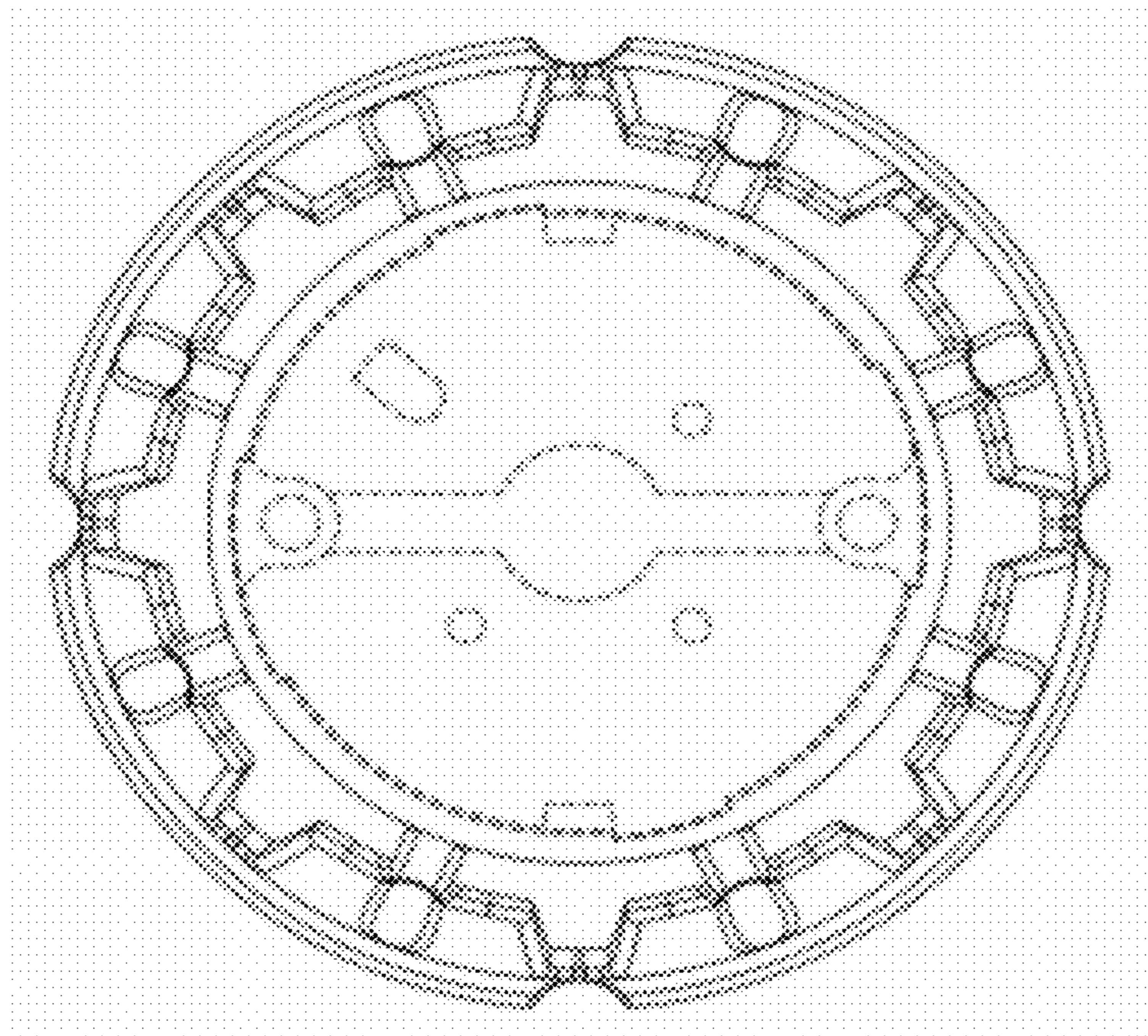


FIG. 7