



US00D659892S

(12) **United States Design Patent**  
**Ding et al.**

(10) **Patent No.:** **US D659,892 S**

(45) **Date of Patent:** **\*\* May 15, 2012**

(54) **LAMP CUP**

(75) Inventors: **Genglin Ding**, Shenzhen (CN); **Lei Yi**,  
Shenzhen (CN); **Xinshen Xue**, Shenzhen  
(CN)

(73) Assignee: **Civilight Shenzhen Semiconductor**  
**Lighting Co., Ltd.**, Hongfa Hi-Tech  
Park, Shiyan, Bao'An District Shenzhen  
(CN)

(\*\*) Term: **14 Years**

(21) Appl. No.: **29/399,730**

(22) Filed: **Aug. 17, 2011**

(30) **Foreign Application Priority Data**

Jul. 19, 2011 (CN) ..... 2011 3 0230539

(51) **LOC (9) Cl.** ..... **26-99**

(52) **U.S. Cl.** ..... **D26/113**

(58) **Field of Classification Search** ..... 248/343;  
D13/179, 180, 134, 146; 361/697; 362/218,  
362/223, 260, 346, 364, 362, 382, 147, 547,  
362/150, 219, 220, 224, 247, 354, 555, 343,  
362/511; D24/210; D23/328; D26/118,  
D26/120, 113, 119, 121, 122, 123, 124, 125,  
D26/126, 128, 129, 130, 131, 132, 135, 138,  
D26/140, 141, 142, 152, 24, 25, 59, 60, 61,  
D26/72, 74, 75, 76, 77, 78, 88, 85, 87, 89,  
D26/90, 91, 153, 154, 155, 143, 144, 145,  
D26/71, 67, 65, 64, 1, 2, 3

See application file for complete search history.

(56) **References Cited**

U.S. PATENT DOCUMENTS

5,465,025 A \* 11/1995 Hendrickson ..... 313/318.09  
D421,138 S \* 2/2000 Kato et al. .... D26/3  
6,080,019 A \* 6/2000 Coughaine ..... 439/611  
D429,024 S \* 8/2000 Dolan ..... D26/142

D508,575 S \* 8/2005 Buschmann et al. .... D26/2  
D553,267 S \* 10/2007 Yuen ..... D26/2  
D582,577 S \* 12/2008 Yuen ..... D26/2  
D598,143 S \* 8/2009 Gerritsen ..... D26/2  
D610,277 S \* 2/2010 Lee ..... D26/2  
D619,739 S \* 7/2010 Hofmann et al. .... D26/2  
D623,778 S \* 9/2010 Moon et al. .... D26/2  
D630,349 S \* 1/2011 Pei et al. .... D26/2  
D630,773 S \* 1/2011 Li et al. .... D26/2  
D634,031 S \* 3/2011 de Visser et al. .... D26/2  
D634,032 S \* 3/2011 de Visser ..... D26/2  
D634,452 S \* 3/2011 de Visser ..... D26/2  
D642,329 S \* 7/2011 Weiss ..... D26/142  
D645,989 S \* 9/2011 Cheng ..... D26/2  
D647,637 S \* 10/2011 Breidenassel et al. .... D26/2  
D647,639 S \* 10/2011 Lee et al. .... D26/2  
D647,641 S \* 10/2011 Lin et al. .... D26/2  
D648,452 S \* 11/2011 Breidenassel et al. .... D26/2

\* cited by examiner

*Primary Examiner* — Kevin Rudzinski

(74) *Attorney, Agent, or Firm* — Shimokaji & Associates,  
P.C.

(57) **CLAIM**

The ornamental design for a “lamp cup,” as shown and  
described.

**DESCRIPTION**

FIG. 1 is a front perspective view of a lamp cup showing our  
new design;

FIG. 2 is a front elevational view thereof;

FIG. 3 is a rear elevational view thereof;

FIG. 4 is a left side elevational view thereof;

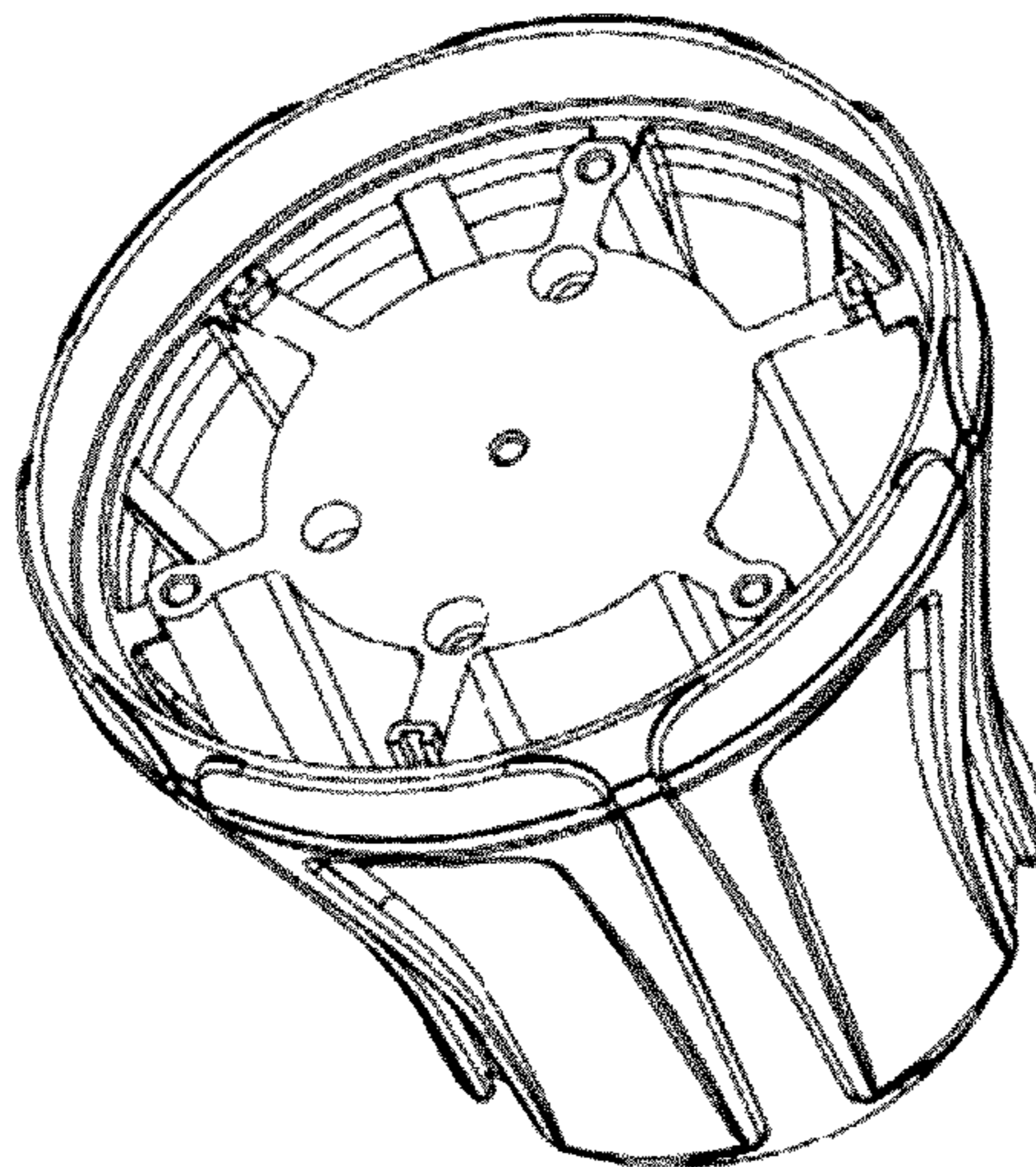
FIG. 5 is a right side elevational view thereof;

FIG. 6 is a top plan view thereof; and,

FIG. 7 is a bottom plan view thereof.

The broken line showing of inner surfaces of FIG. 6 is for the  
purpose of illustrating portions of the article and forms no part  
of the claimed design. The broken lines showing bottom  
features of FIG. 7 are for the purpose of illustrating portions  
of the article and form no part of the claimed design.

**1 Claim, 5 Drawing Sheets**



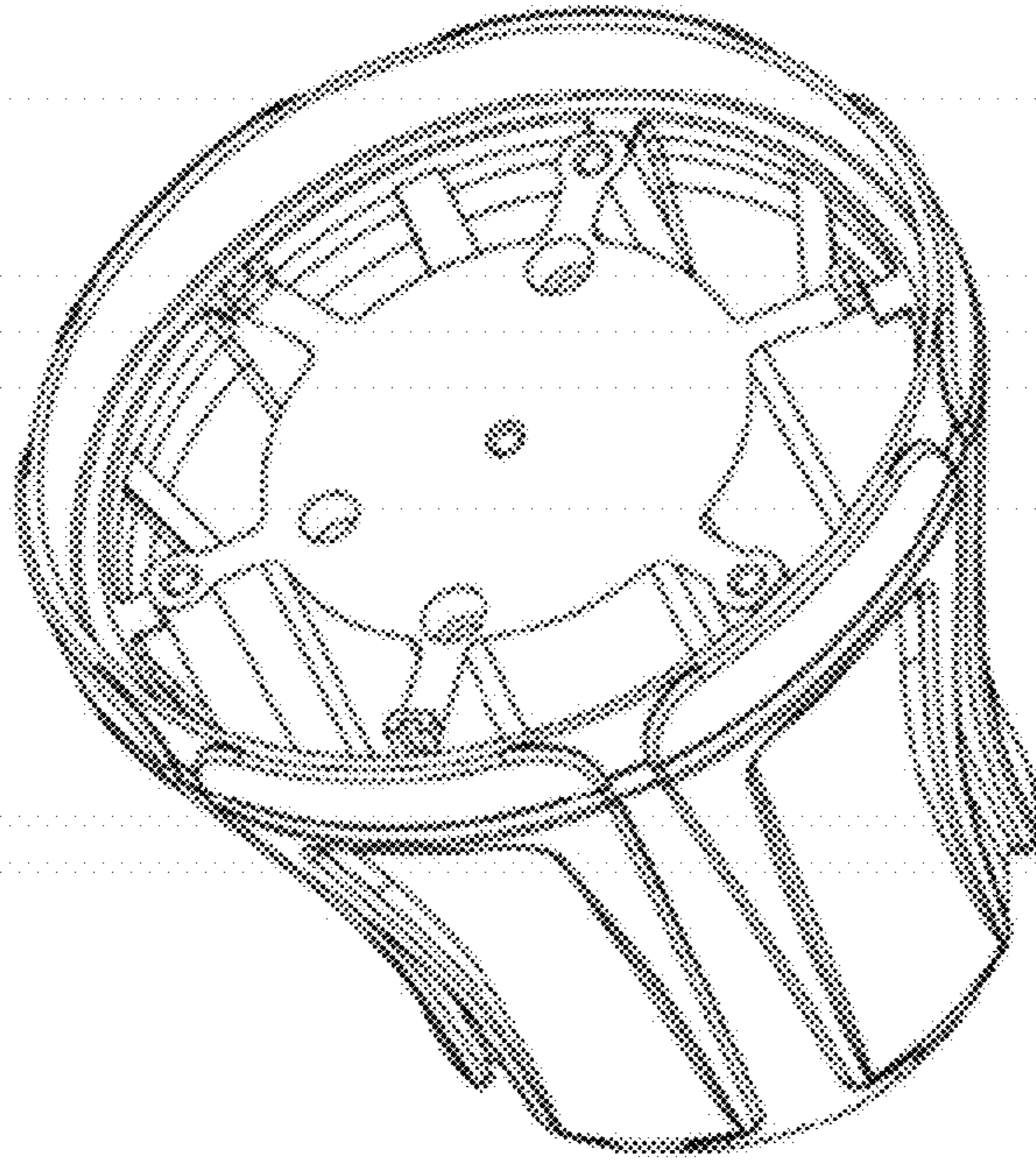


FIG. 1

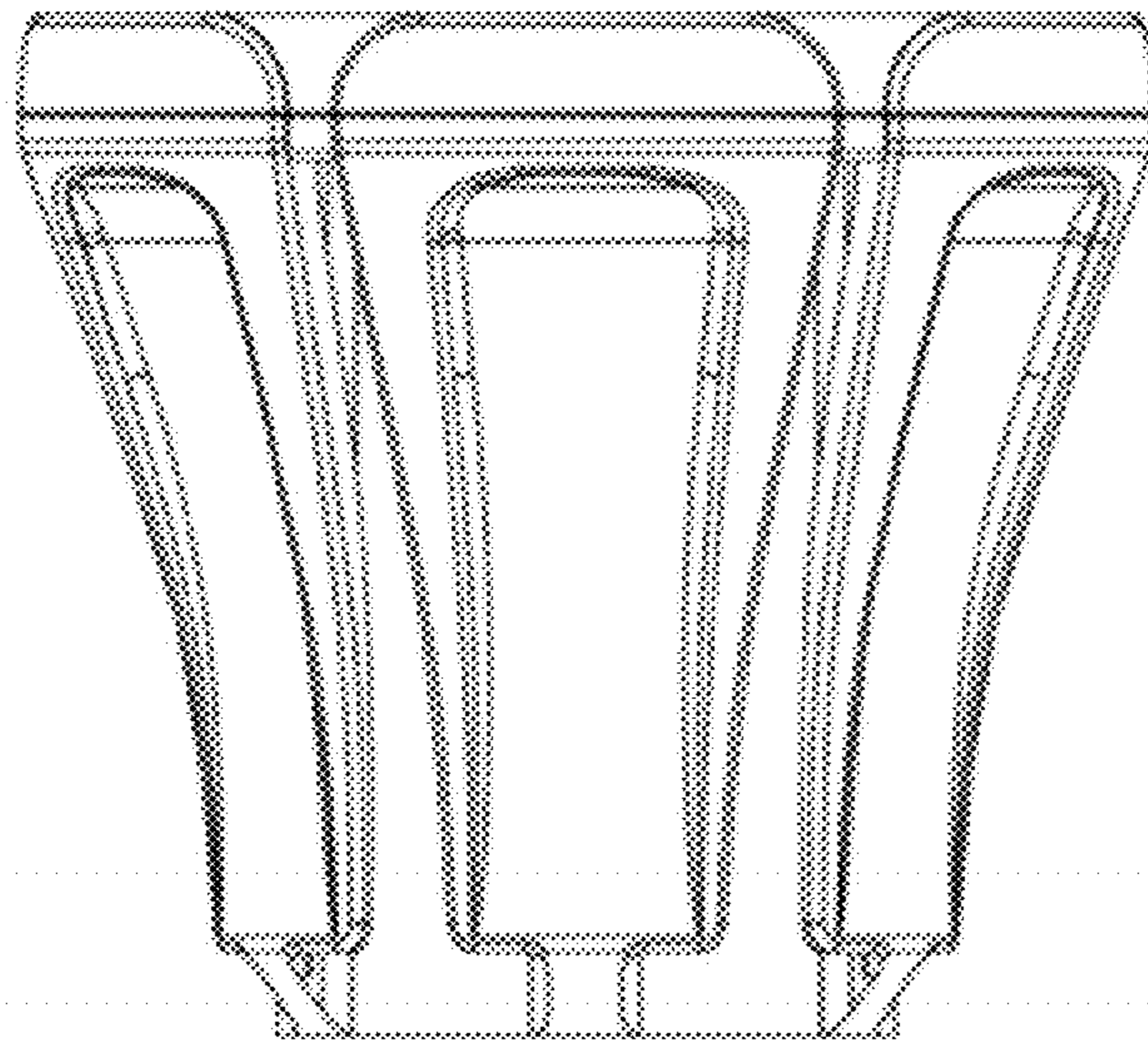


FIG. 2

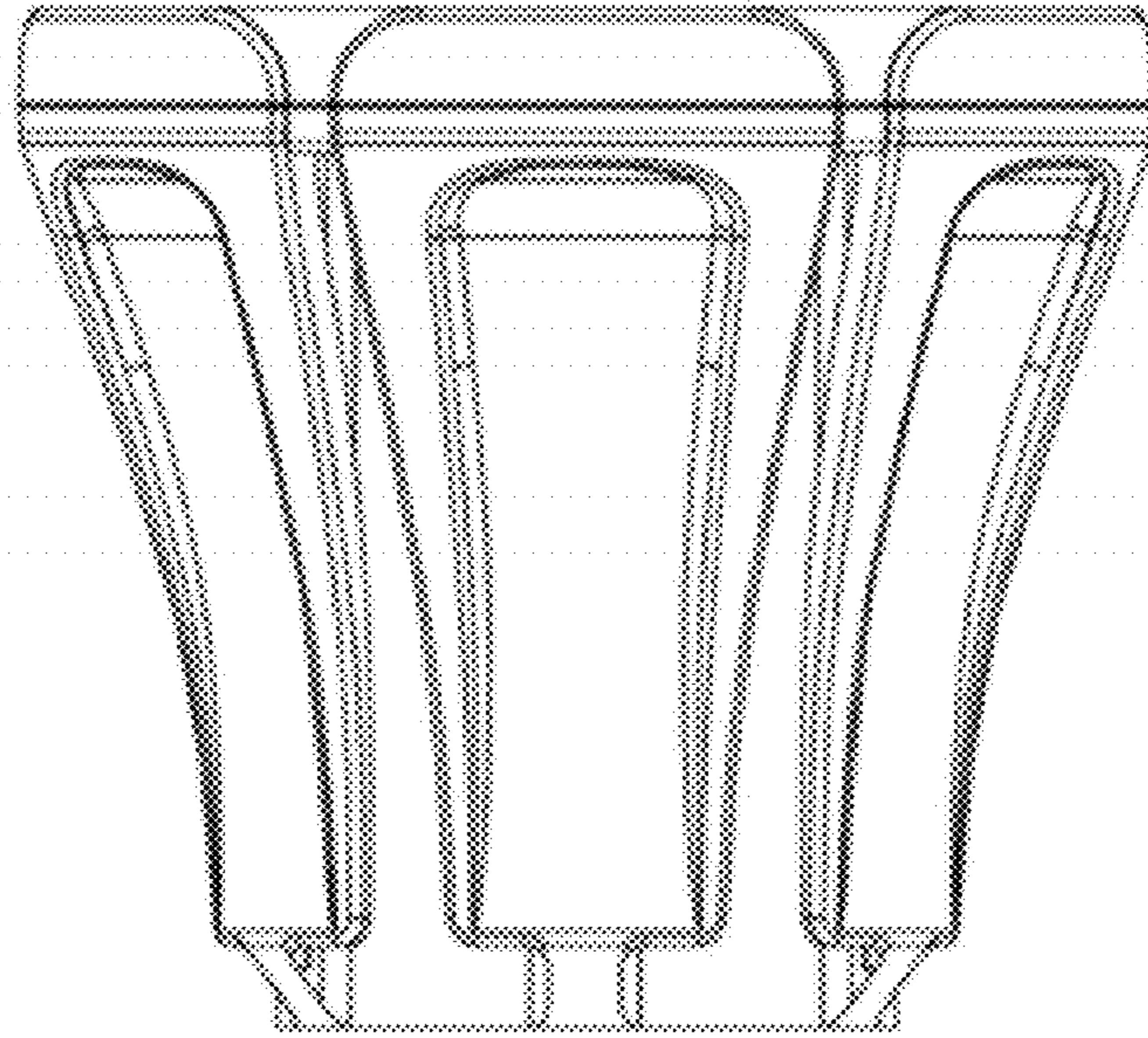


FIG. 3

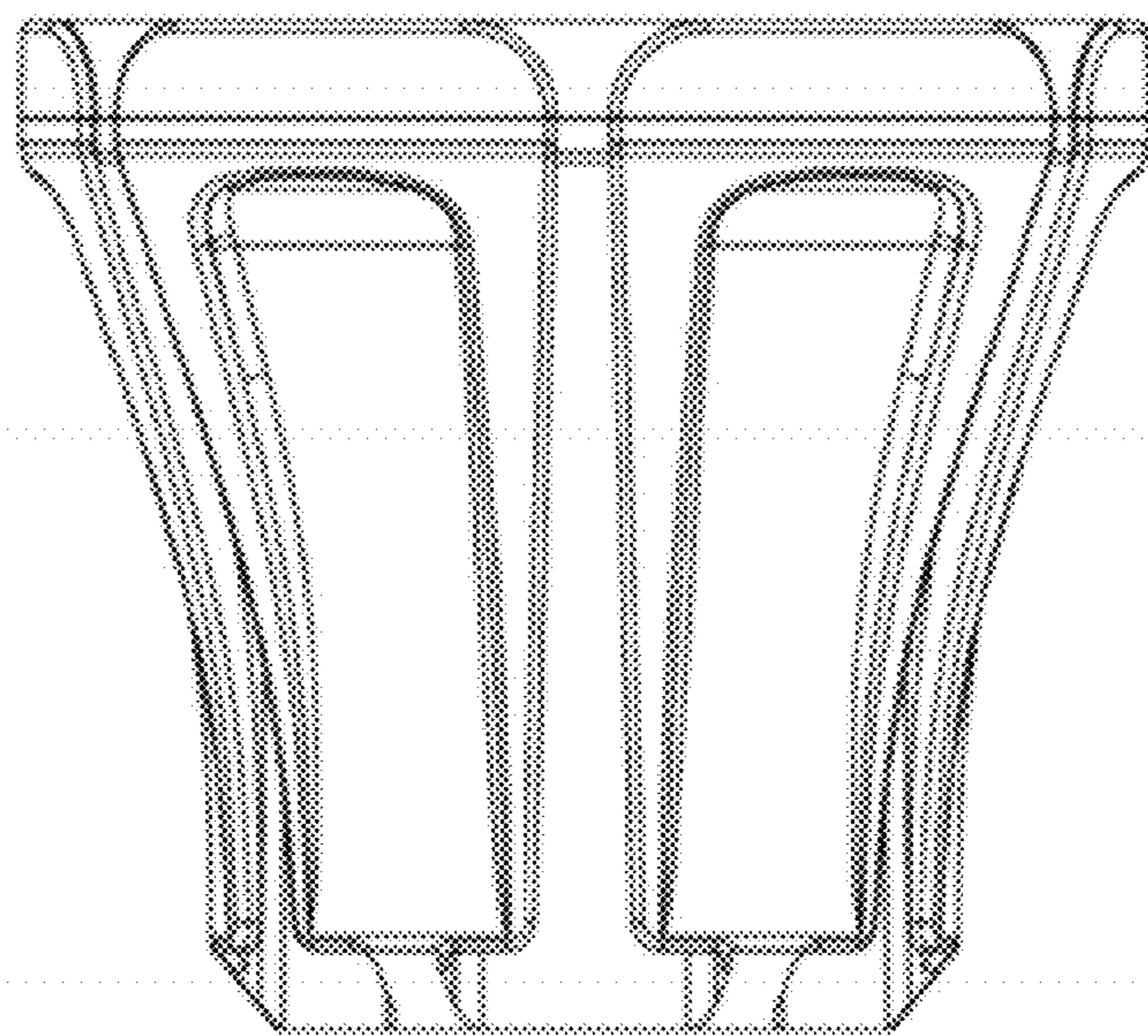


FIG. 4

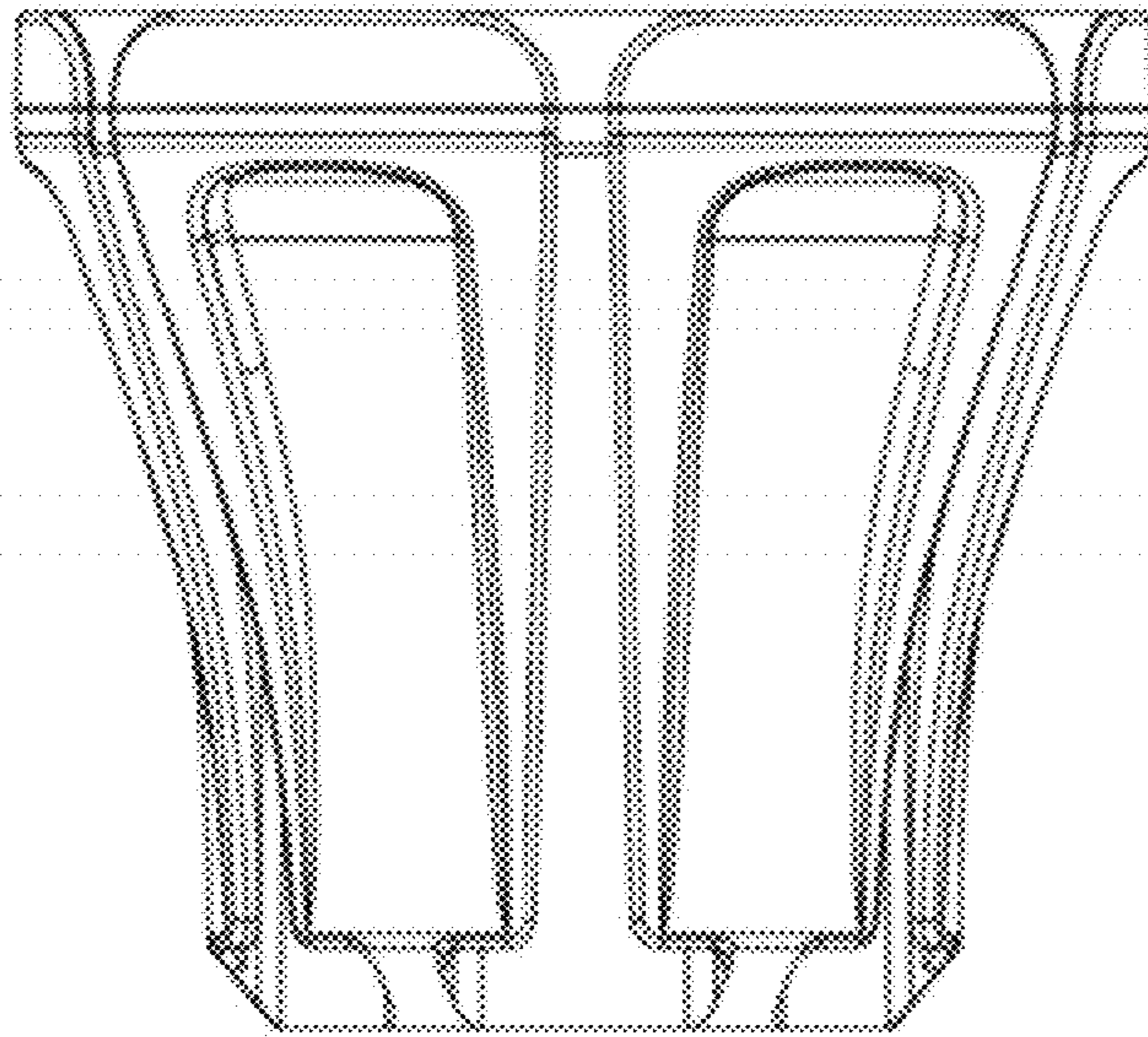


FIG. 5

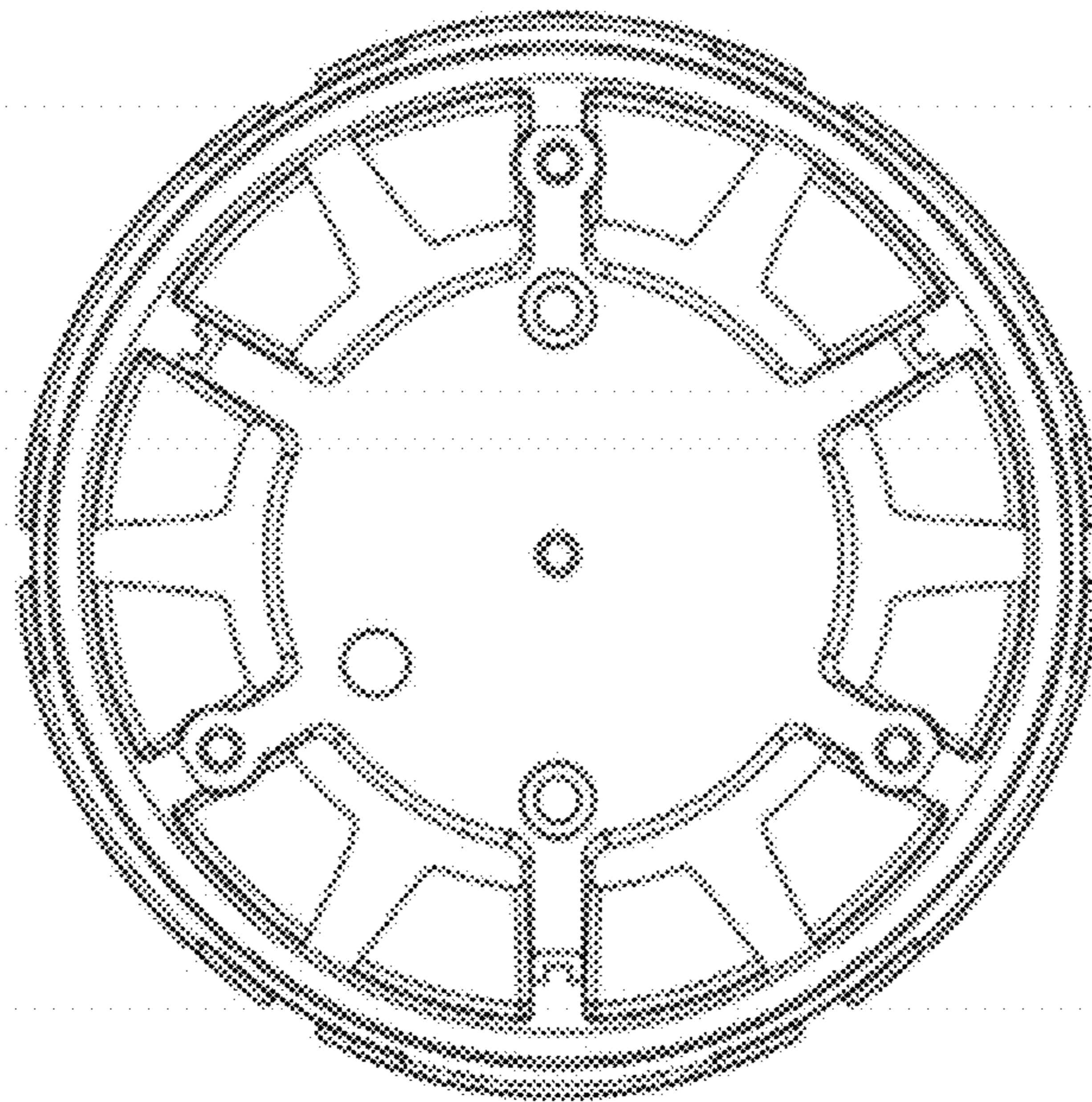


FIG. 6

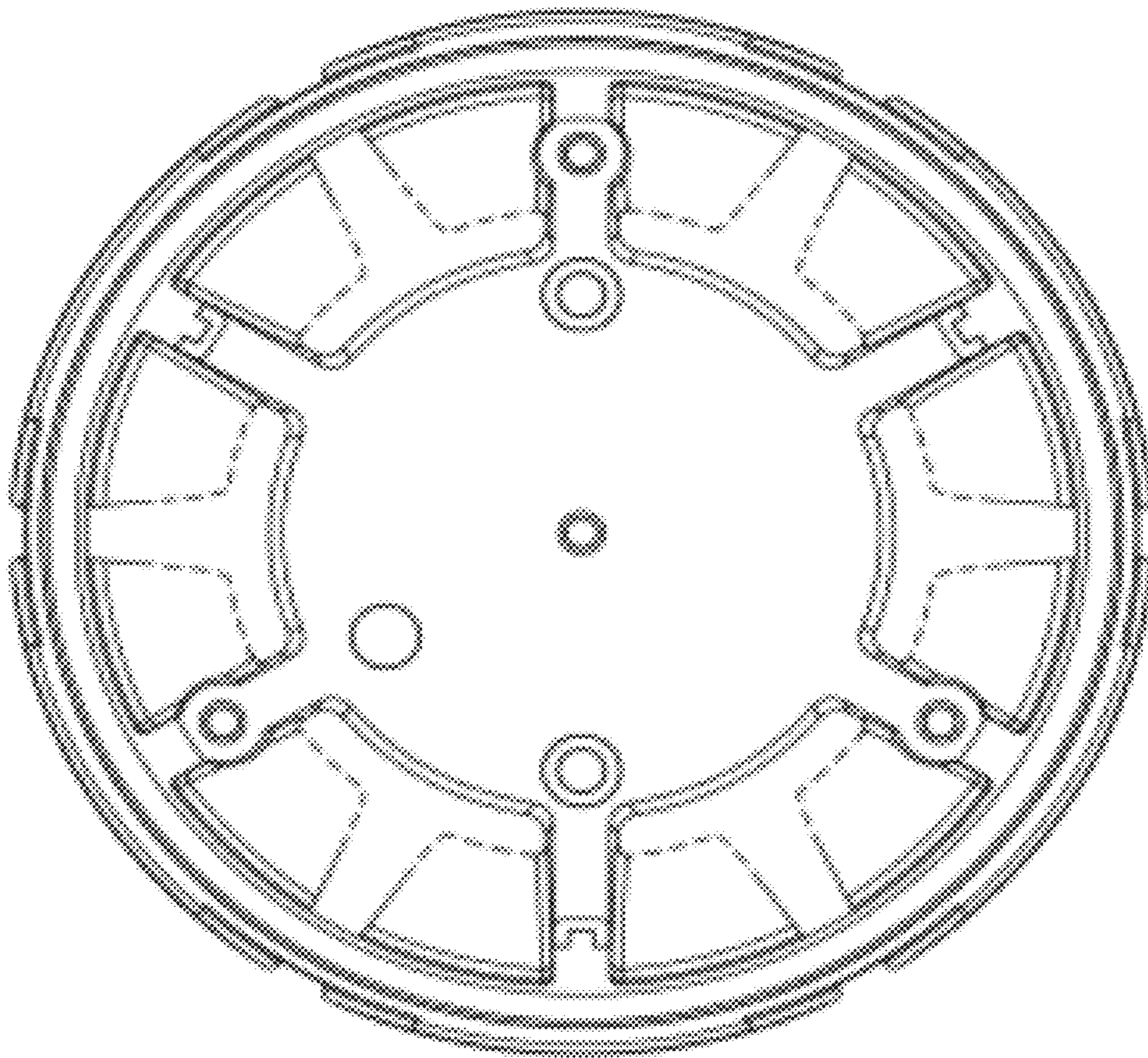


FIG. 6

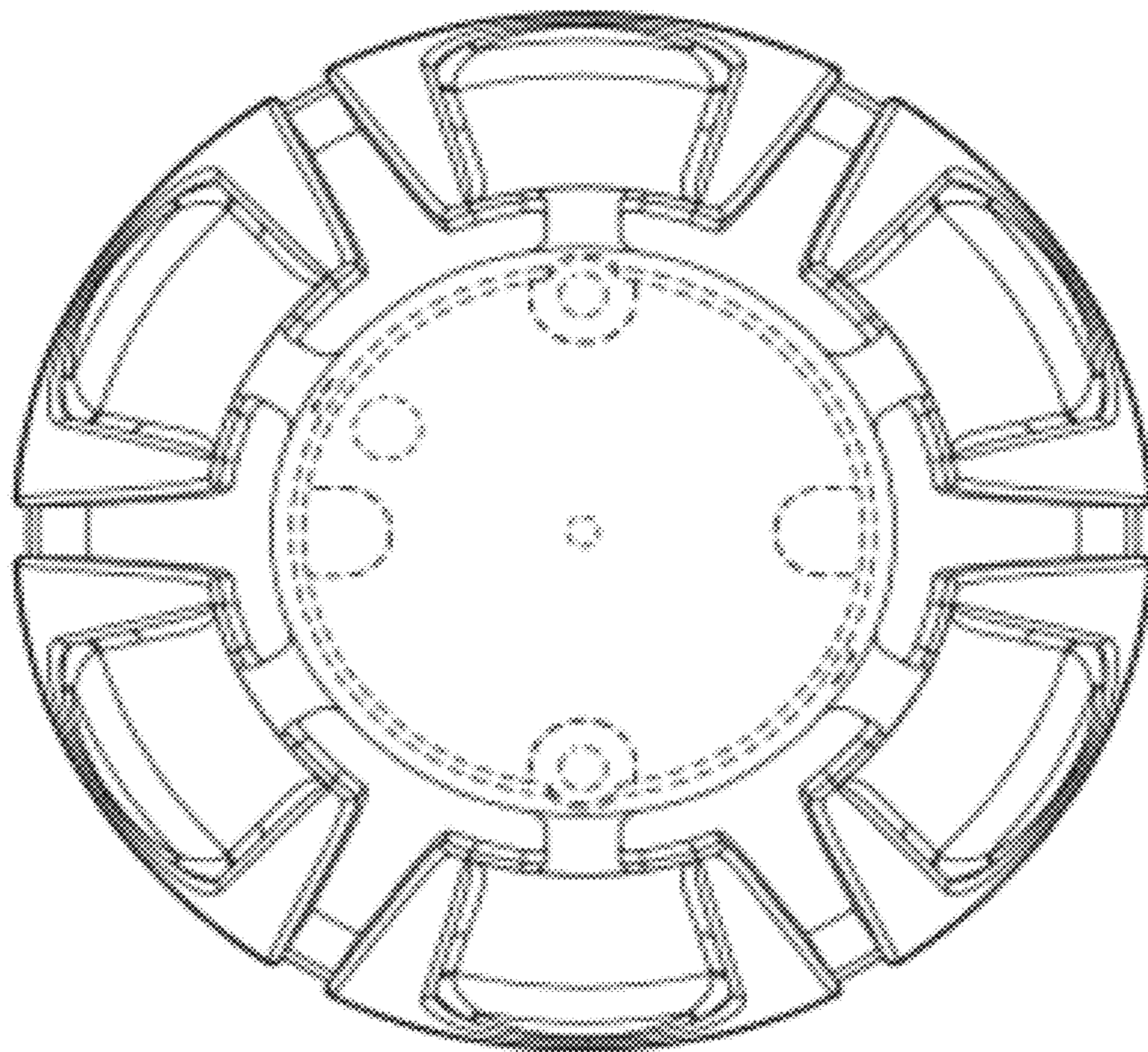


FIG. 7