



US00D659891S

(12) **United States Design Patent**
Ding et al.

(10) **Patent No.:** **US D659,891 S**

(45) **Date of Patent:** **** May 15, 2012**

(54) **LAMP CUP**

(75) Inventors: **Genglin Ding**, Shenzhen (CN); **Lei Yi**,
Shenzhen (CN); **Xinshen Xue**, Shenzhen
(CN)

(73) Assignee: **Civilight Shenzhen Semiconductor**
Lighting Co., Ltd., Hongfa Hi-Tech
Park, Shiyan, Bao'an District, Shenzhen
(CN)

(**) Term: **14 Years**

(21) Appl. No.: **29/399,728**

(22) Filed: **Aug. 17, 2011**

(30) **Foreign Application Priority Data**

Jul. 19, 2011 (CN) 2011 3 0230539

(51) **LOC (9) Cl.** **26-99**

(52) **U.S. Cl.** **D26/113**

(58) **Field of Classification Search** 248/343;
D13/179, 180, 134, 146; 361/697; 362/218,
362/223, 260, 346, 364, 362, 382, 147, 547,
362/150, 219, 220, 224, 247, 354, 555, 343,
362/511; D24/210; D23/328; D26/118,
D26/120, 113, 119, 121, 122, 123, 124, 125,
D26/126, 128, 129, 130, 131, 132, 135, 138,
D26/140, 141, 142, 152, 24, 25, 59, 60, 61,
D26/72, 74, 75, 76, 77, 78, 88, 85, 87, 89,
D26/90, 91, 153, 154, 155, 143, 144, 145,
D26/71, 67, 65, 64, 1, 2, 3

See application file for complete search history.

(56) **References Cited**

U.S. PATENT DOCUMENTS

5,465,025 A * 11/1995 Hendrickson 313/318.09
D421,138 S * 2/2000 Kato et al. D26/3
6,080,019 A * 6/2000 Coughaine 439/611
D429,024 S * 8/2000 Dolan D26/142

D508,575 S * 8/2005 Buschmann et al. D26/2
D553,267 S * 10/2007 Yuen D26/2
D582,577 S * 12/2008 Yuen D26/2
D598,143 S * 8/2009 Gerritsen D26/2
D610,277 S * 2/2010 Lee D26/2
D619,739 S * 7/2010 Hofmann et al. D26/2
D623,778 S * 9/2010 Moon et al. D26/2
D630,349 S * 1/2011 Pei et al. D26/2
D630,773 S * 1/2011 Li et al. D26/2
D634,031 S * 3/2011 de Visser et al. D26/2
D634,032 S * 3/2011 de Visser D26/2
D634,452 S * 3/2011 de Visser D26/2
D642,329 S * 7/2011 Weiss D26/142
D645,989 S * 9/2011 Cheng D26/2
D647,637 S * 10/2011 Breidenassel et al. D26/2
D647,639 S * 10/2011 Lee et al. D26/2
D647,641 S * 10/2011 Lin et al. D26/2
D648,452 S * 11/2011 Breidenassel et al. D26/2

* cited by examiner

Primary Examiner — Kevin Rudzinski

(74) *Attorney, Agent, or Firm* — Shimokaji & Associates,
P.C.

(57) **CLAIM**

The ornamental design for a “lamp cup,” as shown and
described.

DESCRIPTION

FIG. 1 is a front perspective view of a lamp cup showing our
new design;

FIG. 2 is a front elevational view thereof;

FIG. 3 is a rear elevational view thereof;

FIG. 4 is a left side elevational view thereof;

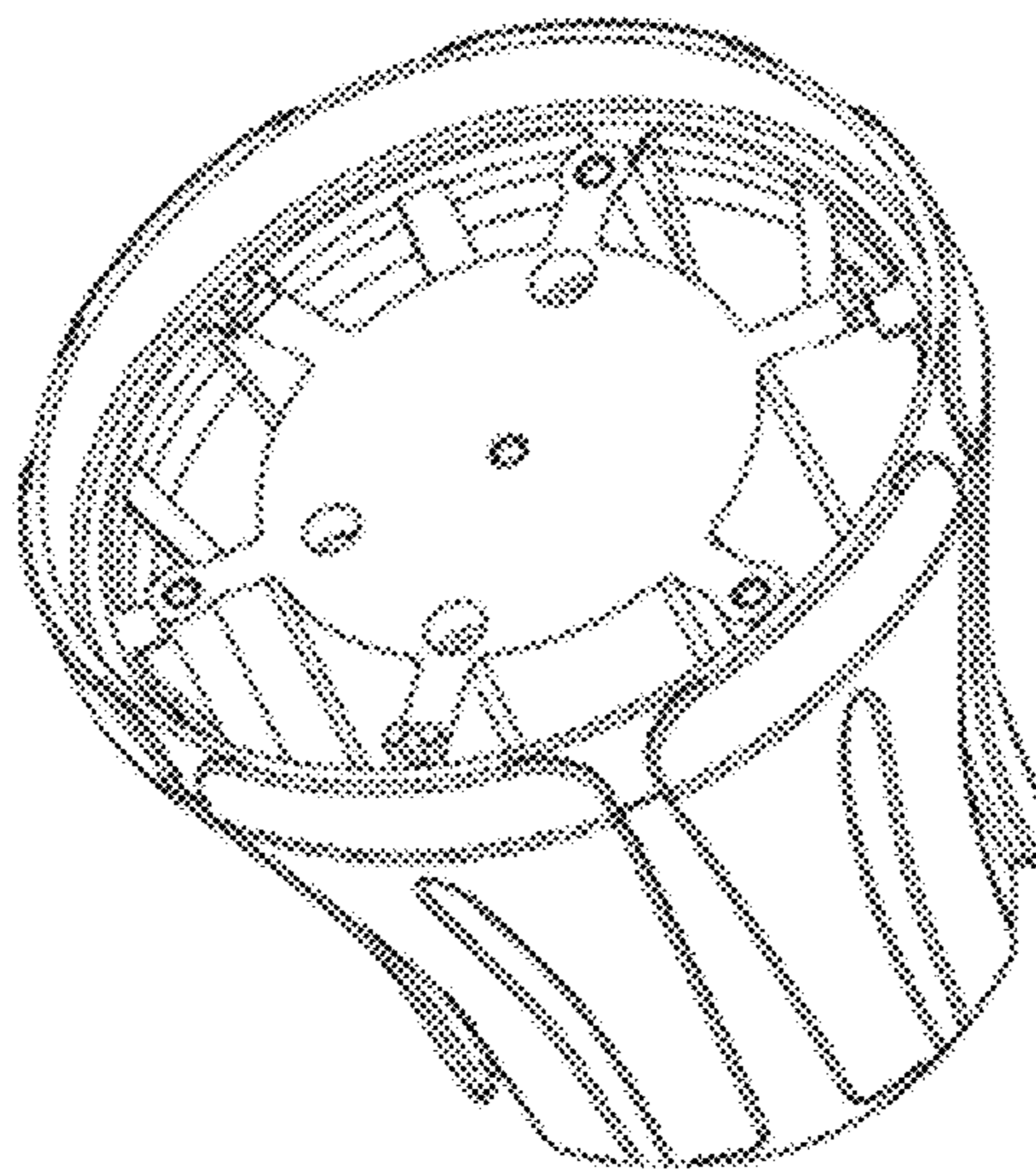
FIG. 5 is a right side elevational view thereof;

FIG. 6 is a top plan view thereof; and,

FIG. 7 is a bottom plan view thereof.

The broken line showing of inner surfaces of FIG. 6 is for the
purpose of illustrating portions of the article and forms no part
of the claimed design. The broken lines showing bottom
features of FIG. 7 are for the purpose of illustrating portions
of the article and form no part of the claimed design.

1 Claim, 5 Drawing Sheets



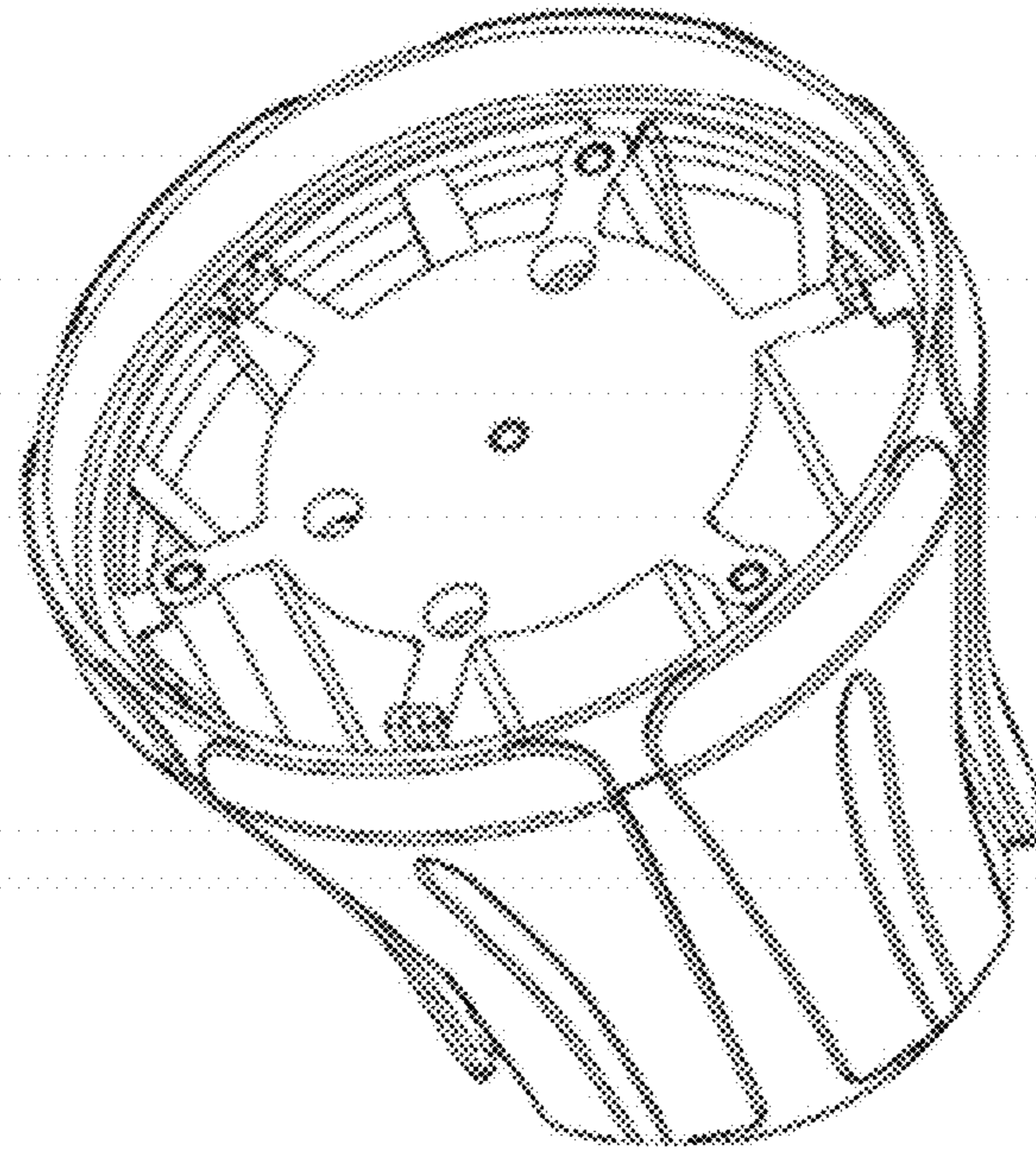


FIG. 1

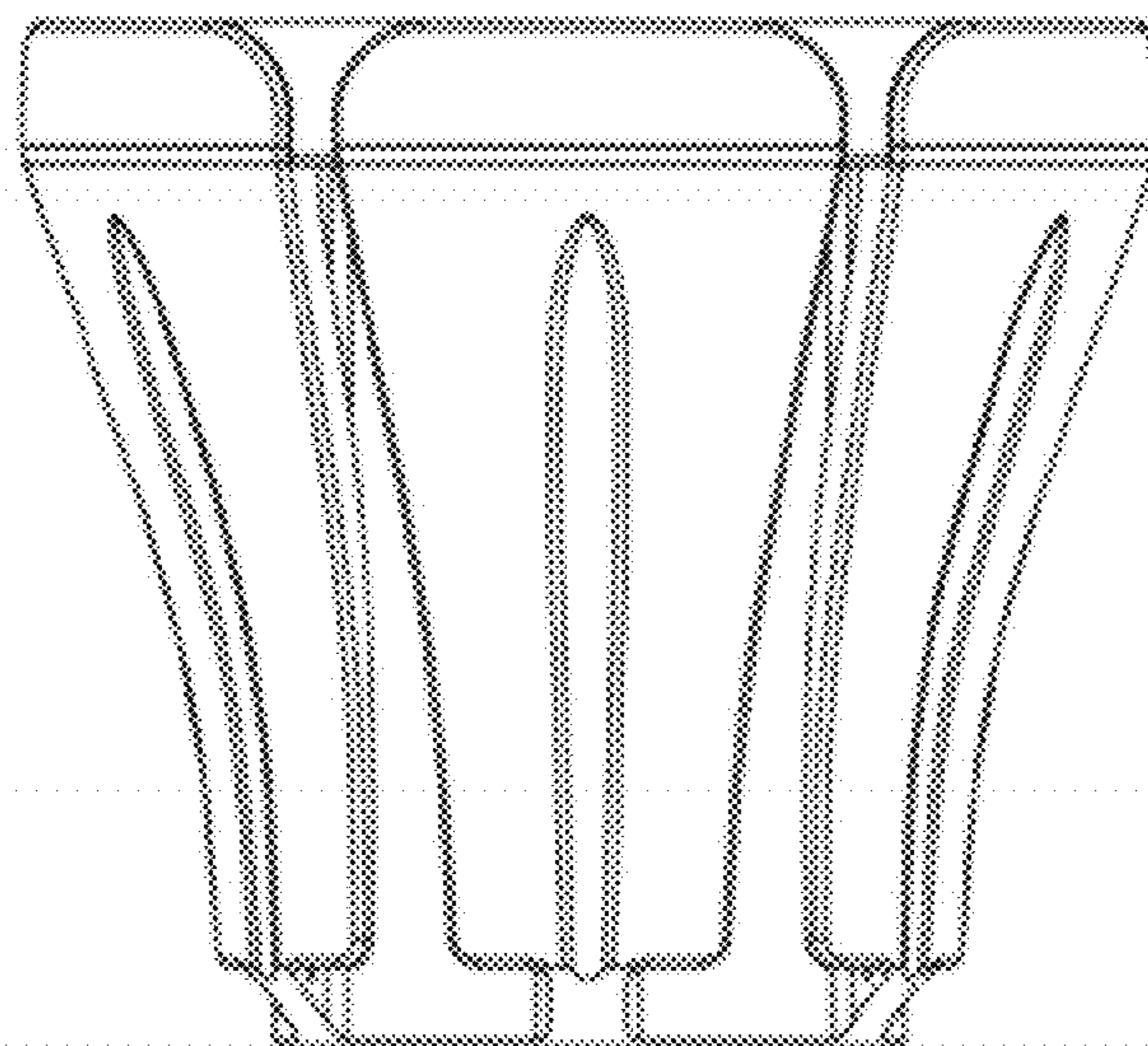


FIG. 2

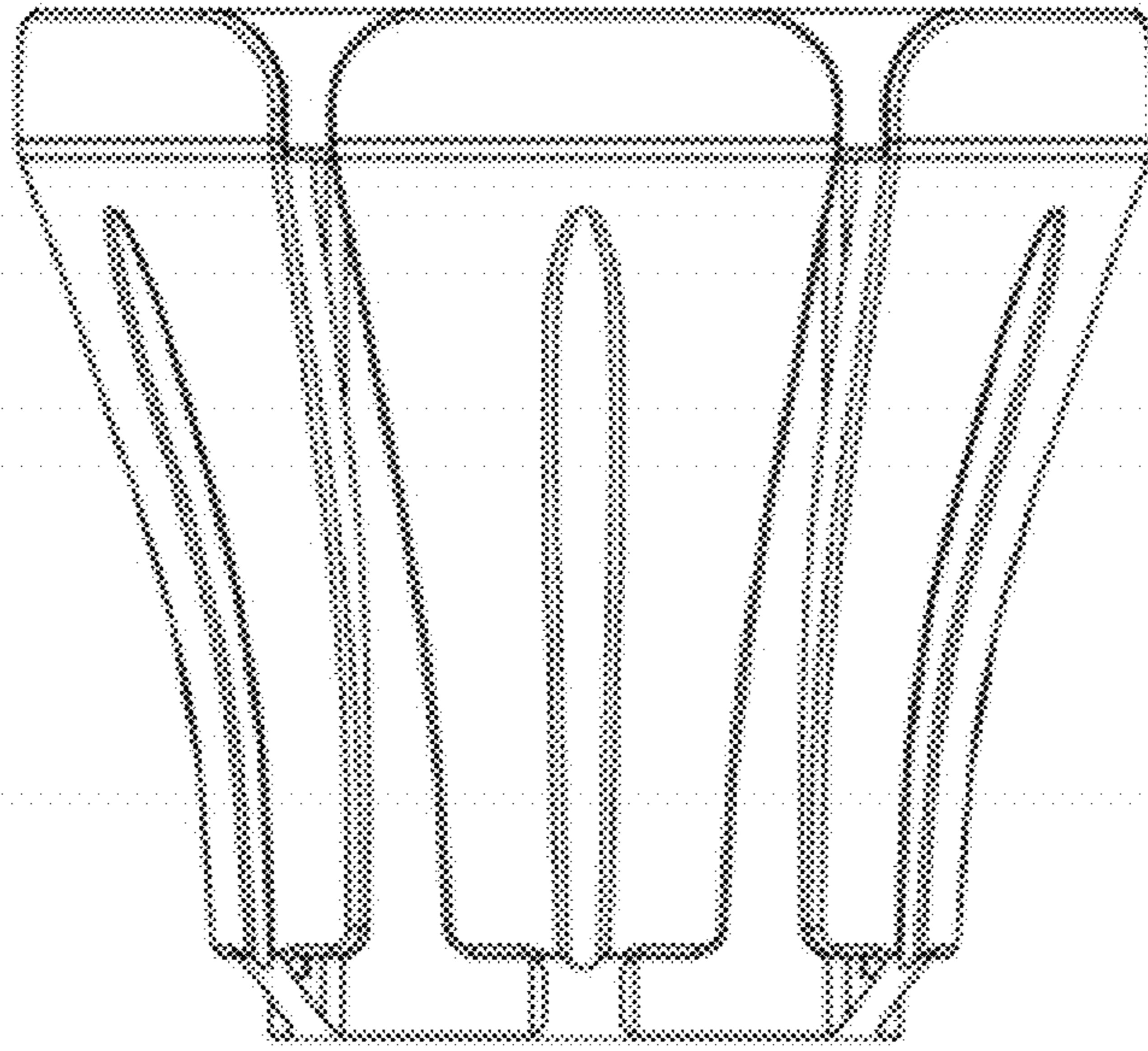


FIG. 3

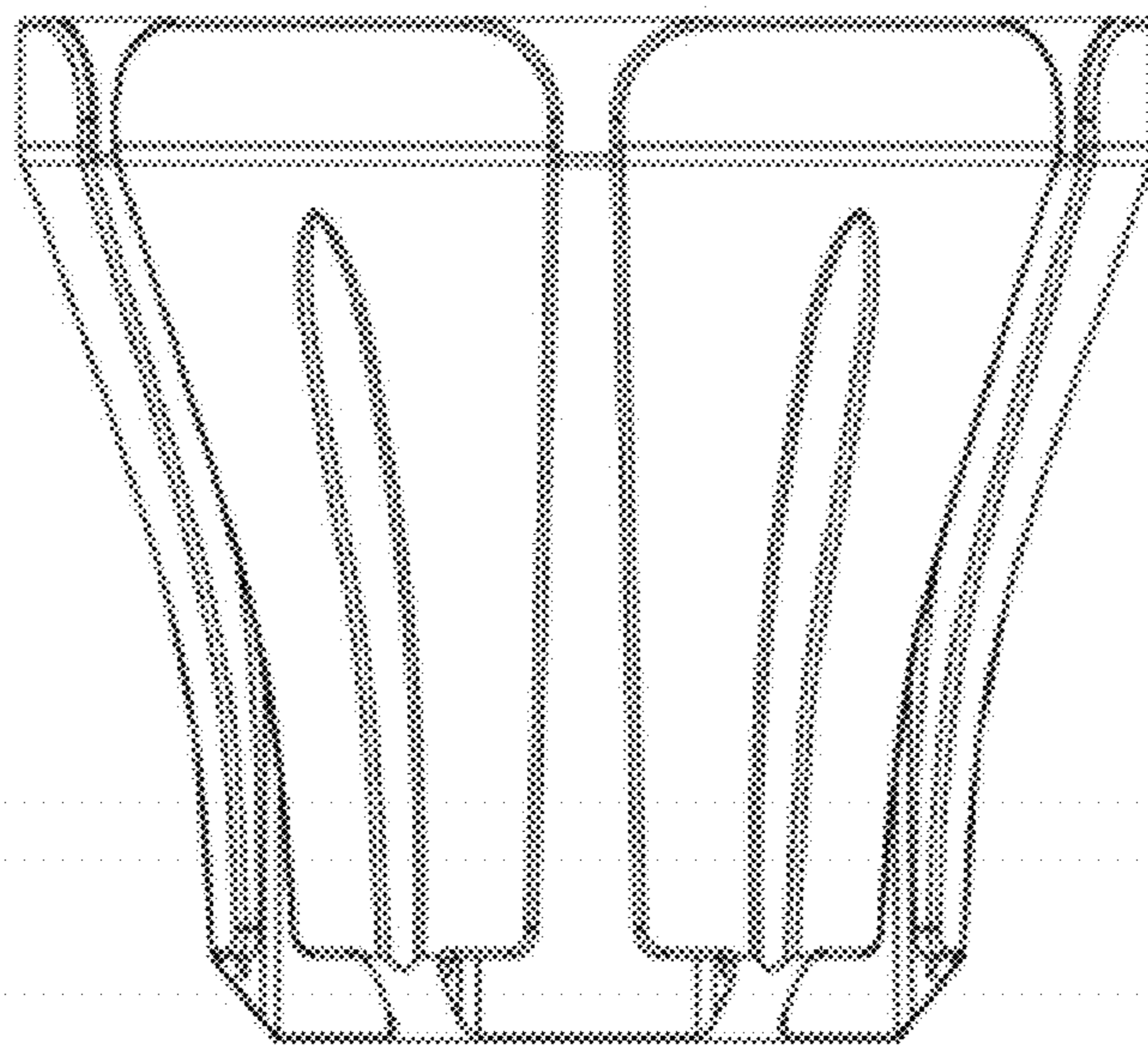


FIG. 4

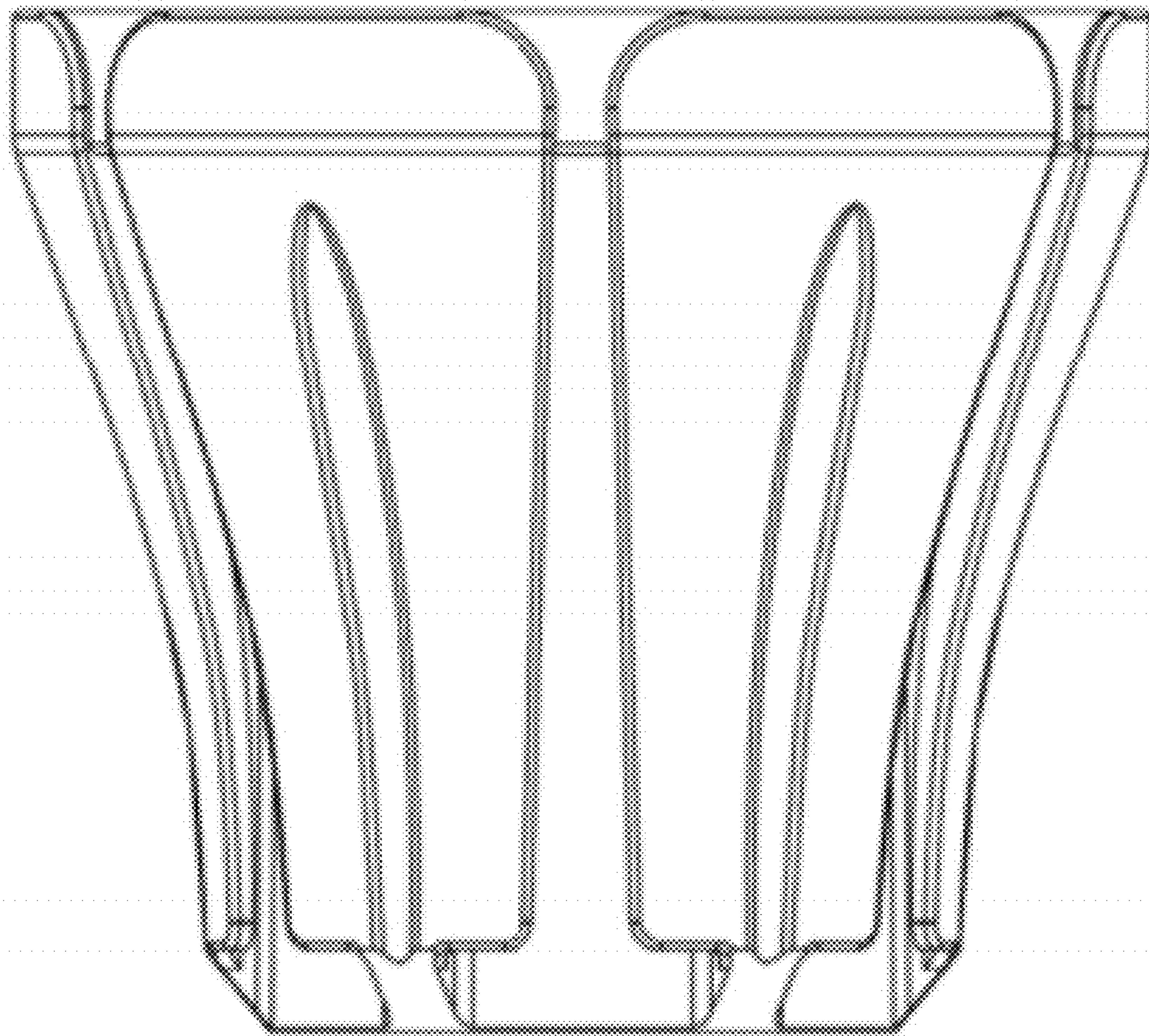


FIG. 5

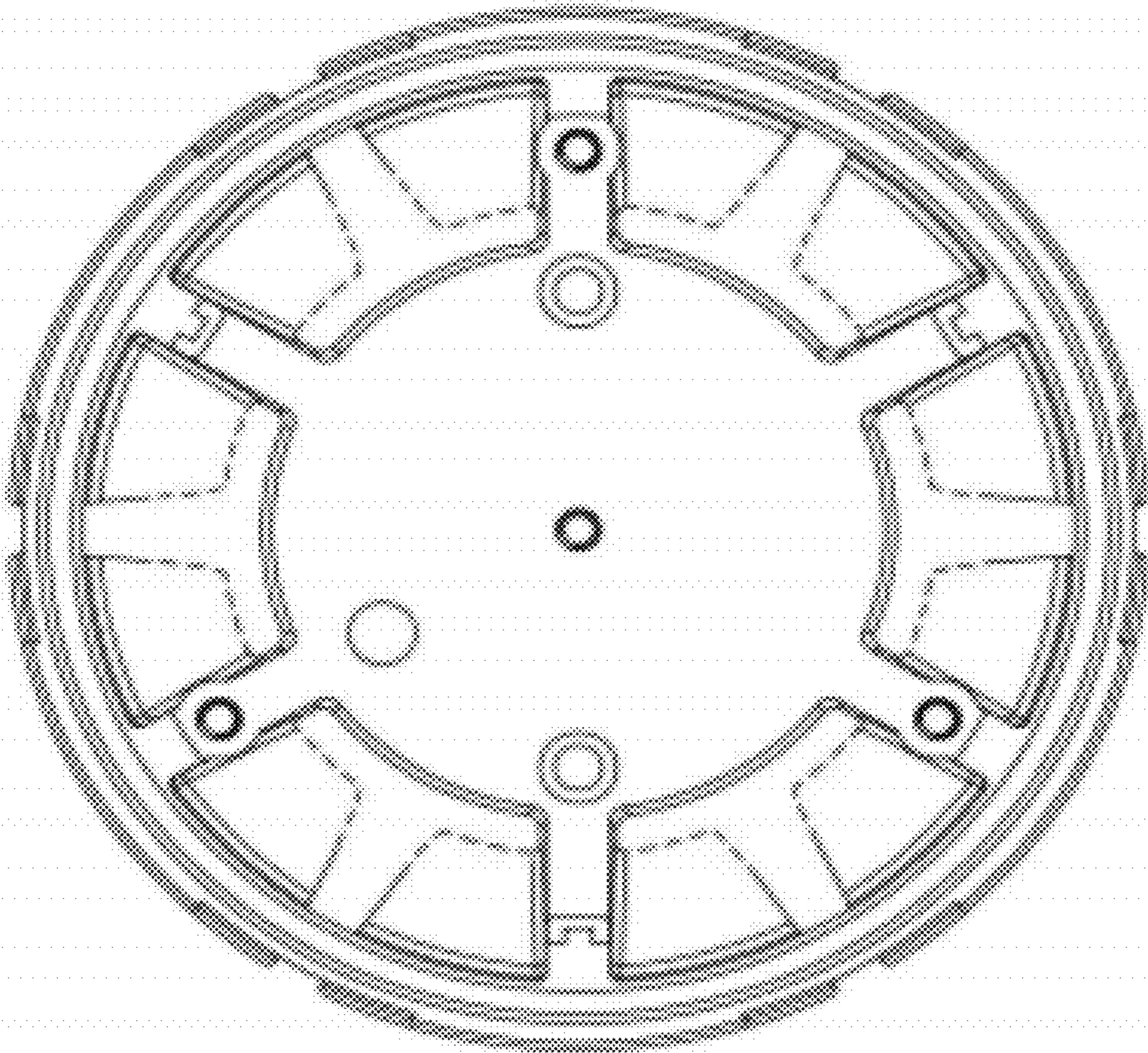


FIG. 6

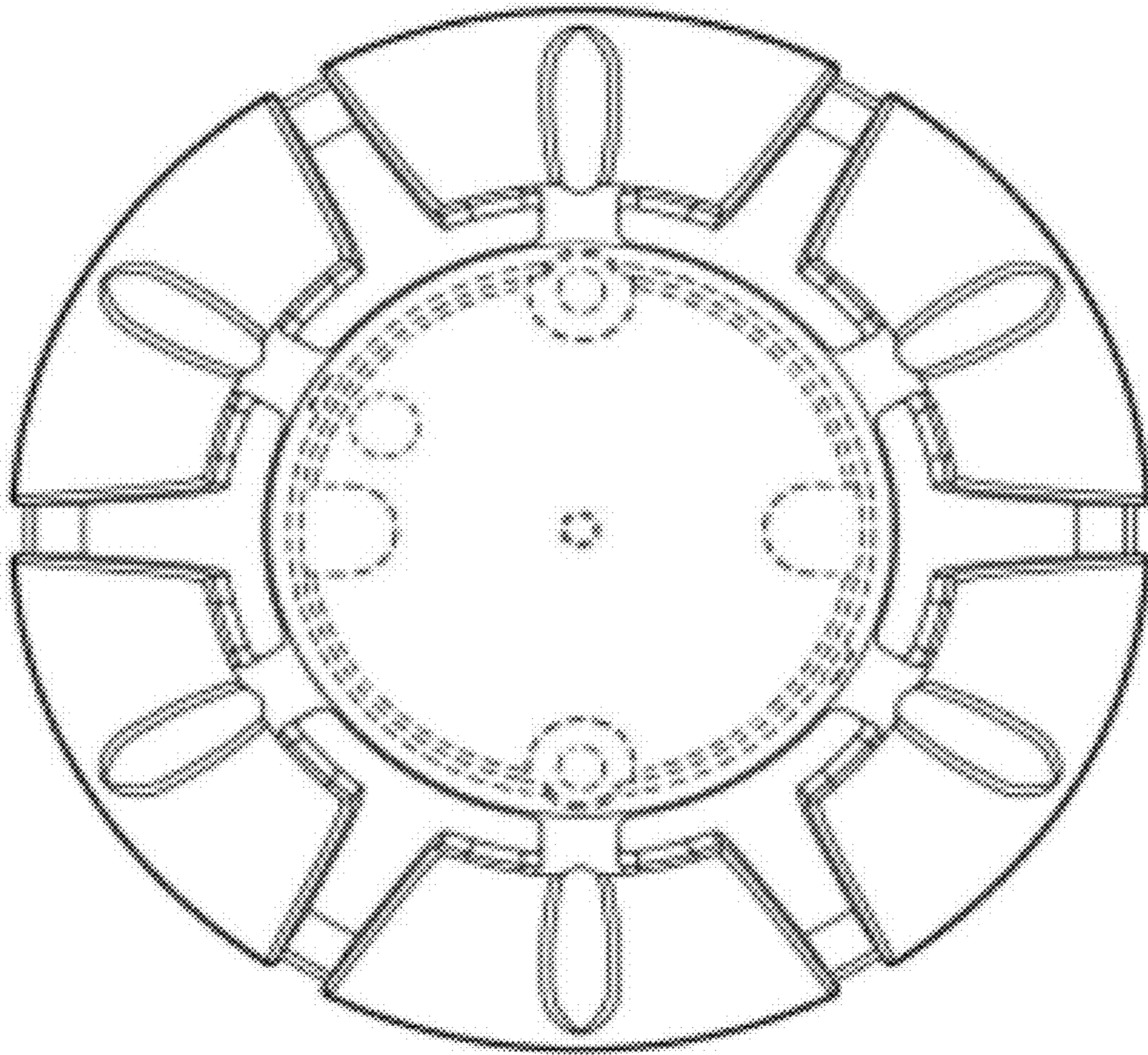


FIG. 7