



US00D659889S

(12) **United States Design Patent**  
**Sabernig**

(10) **Patent No.:** **US D659,889 S**

(45) **Date of Patent:** **\*\* \*May 15, 2012**

(54) **LIGHT FIXTURE**

(75) Inventor: **Robert Sabernig**, Munster (AT)

(73) Assignee: **EGLO Leuchten GmbH**, Innsbruck (AT)

(\*) Notice: This patent is subject to a terminal disclaimer.

(\*\*) Term: **14 Years**

(21) Appl. No.: **29/384,725**

(22) Filed: **Feb. 3, 2011**

(51) **LOC (9) Cl.** ..... **26-03**

(52) **U.S. Cl.** ..... **D26/93**

(58) **Field of Classification Search** ..... D26/1,  
D26/24, 67-6, 93-94, 101, 104-110, 113;  
362/3, 153, 186, 217, 255, 257, 277, 317,  
362/351, 353, 362, 363, 382, 431, 433, 458,  
362/806

See application file for complete search history.

(56) **References Cited**

U.S. PATENT DOCUMENTS

D299,071	S	*	12/1988	Scarpa	.....	D26/93
D368,548	S	*	4/1996	Lee	.....	D26/93
D385,647	S	*	10/1997	Swanson	.....	D26/110
D431,315	S	*	9/2000	Sekine et al.	.....	D26/93
D444,899	S	*	7/2001	Bossy	.....	D26/68
6,883,942	B2	*	4/2005	Denningham	.....	362/414
D589,205	S	*	3/2009	Sabernig	.....	D26/93
D604,888	S	*	11/2009	Swanson	.....	D26/93
D606,236	S	*	12/2009	Sabernig	.....	D26/93
D608,045	S	*	1/2010	Chandler	.....	D26/93

D611,185	S	*	3/2010	Jourdan	.....	D26/93
D614,797	S	*	4/2010	Sabernig	.....	D26/93
D632,826	S	*	2/2011	Sabernig	.....	D26/93

\* cited by examiner

*Primary Examiner* — Brian N Vinson

(74) *Attorney, Agent, or Firm* — Baker & McKenzie LLP

(57) **CLAIM**

The ornamental design for a light fixture, as shown and described.

**DESCRIPTION**

FIG. 1 is a perspective view, lined for color, of a light fixture in accordance with my design;

FIG. 2 is a front elevation view, lined for color, of the light fixture in accordance with my design;

FIG. 3 is a back elevation view, lined for color, of the light fixture in accordance with my design;

FIG. 4 is a side elevation view, lined for color, of the light fixture in accordance with my design, the opposite view being a mirror image of that shown;

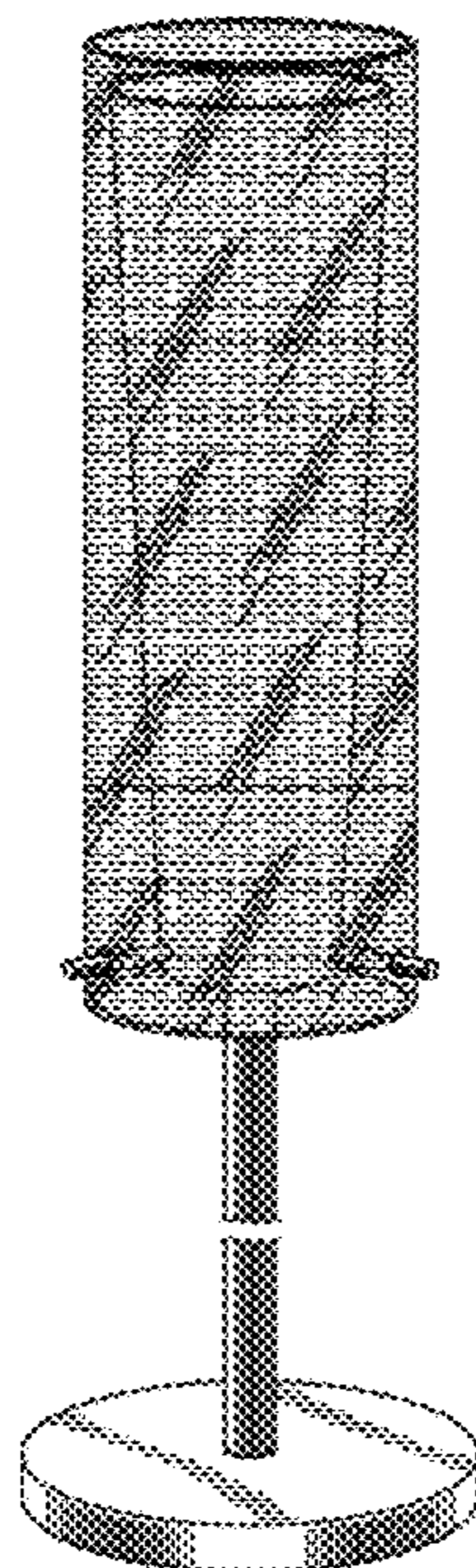
FIG. 5 is a top plan view of the light fixture in accordance with my design; and,

FIG. 6 is a bottom plan view of the light fixture in accordance with my design along the lines 6-6 of FIG. 4.

The broken-line disclosure of elements is understood to represent portions of the article in which the design is embodied, but which form no part of the claimed design.

The portions of the light fixture shown broken away in FIGS. 1-4 are to depict unclaimed length.

**1 Claim, 2 Drawing Sheets**



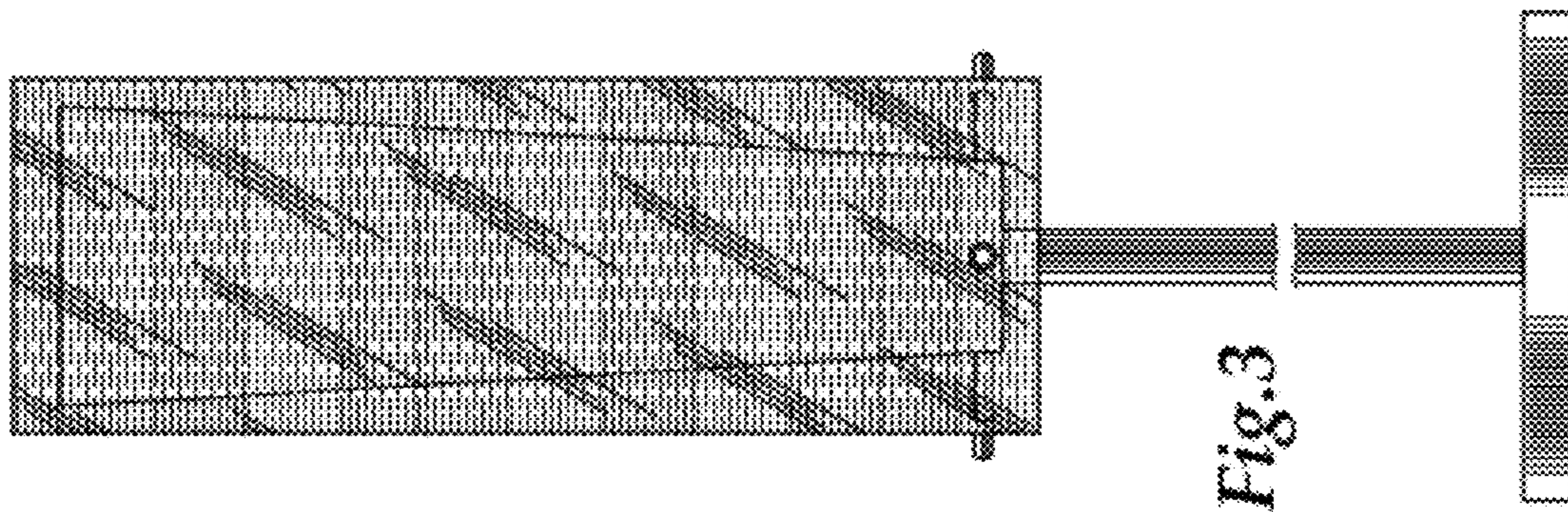


Fig.3

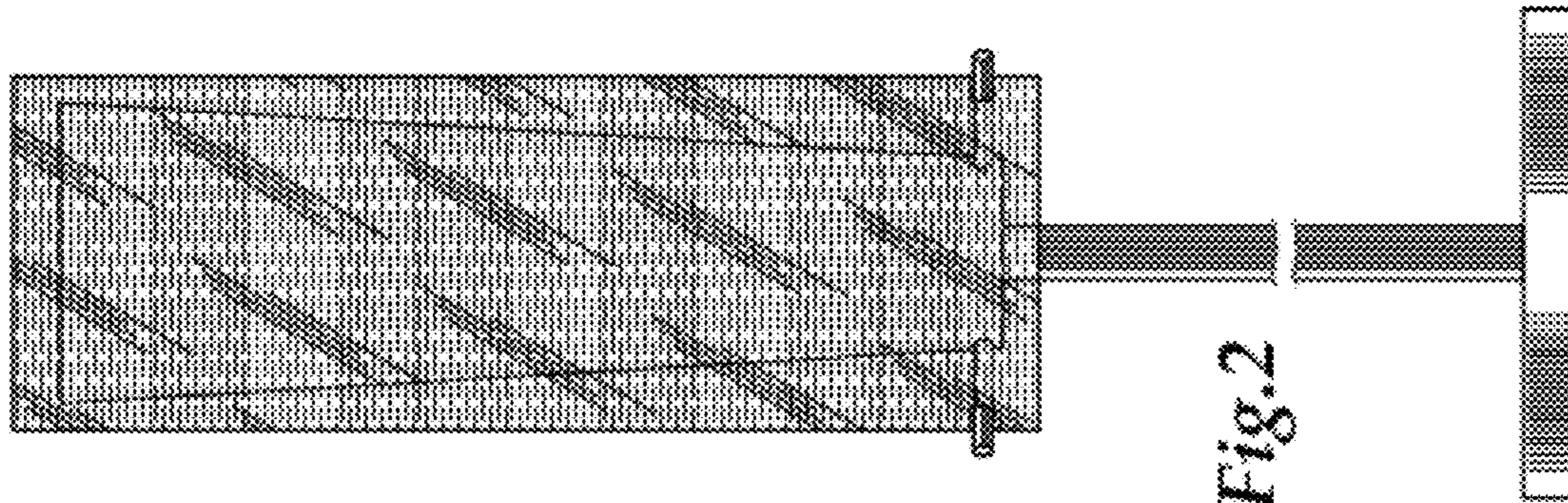


Fig.2

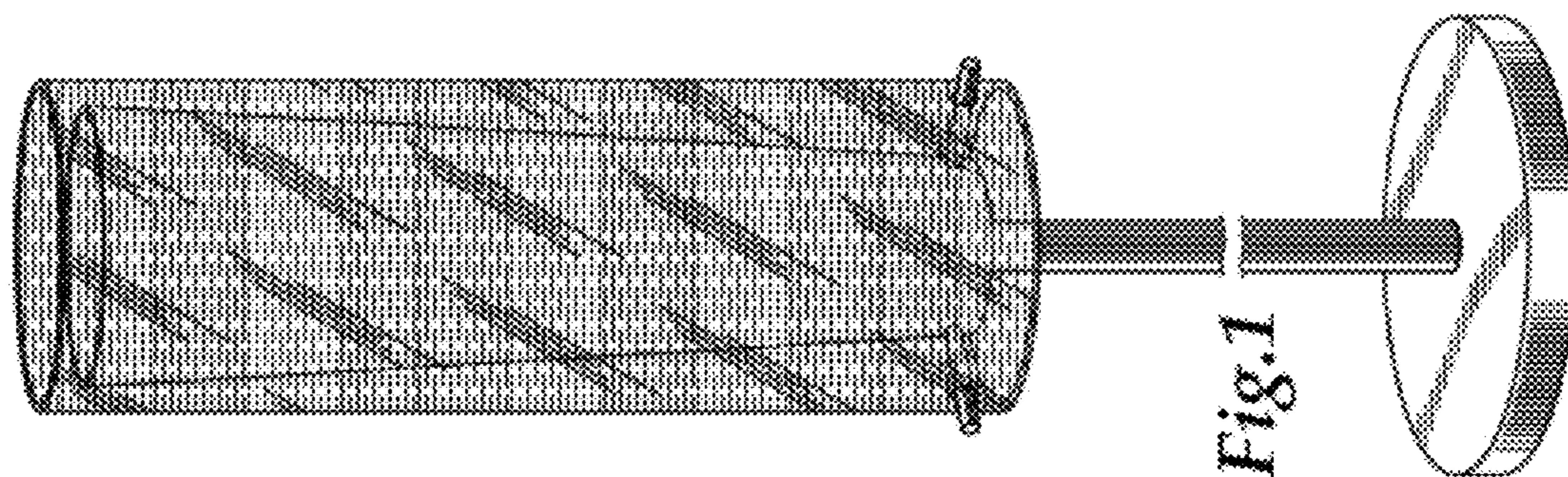
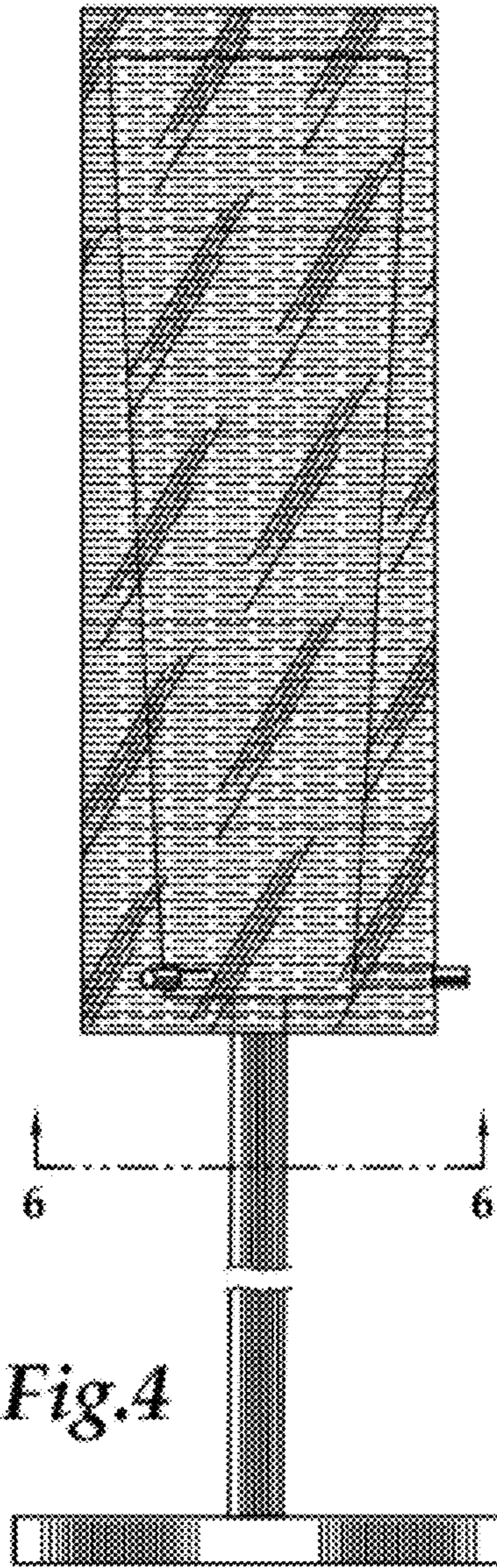
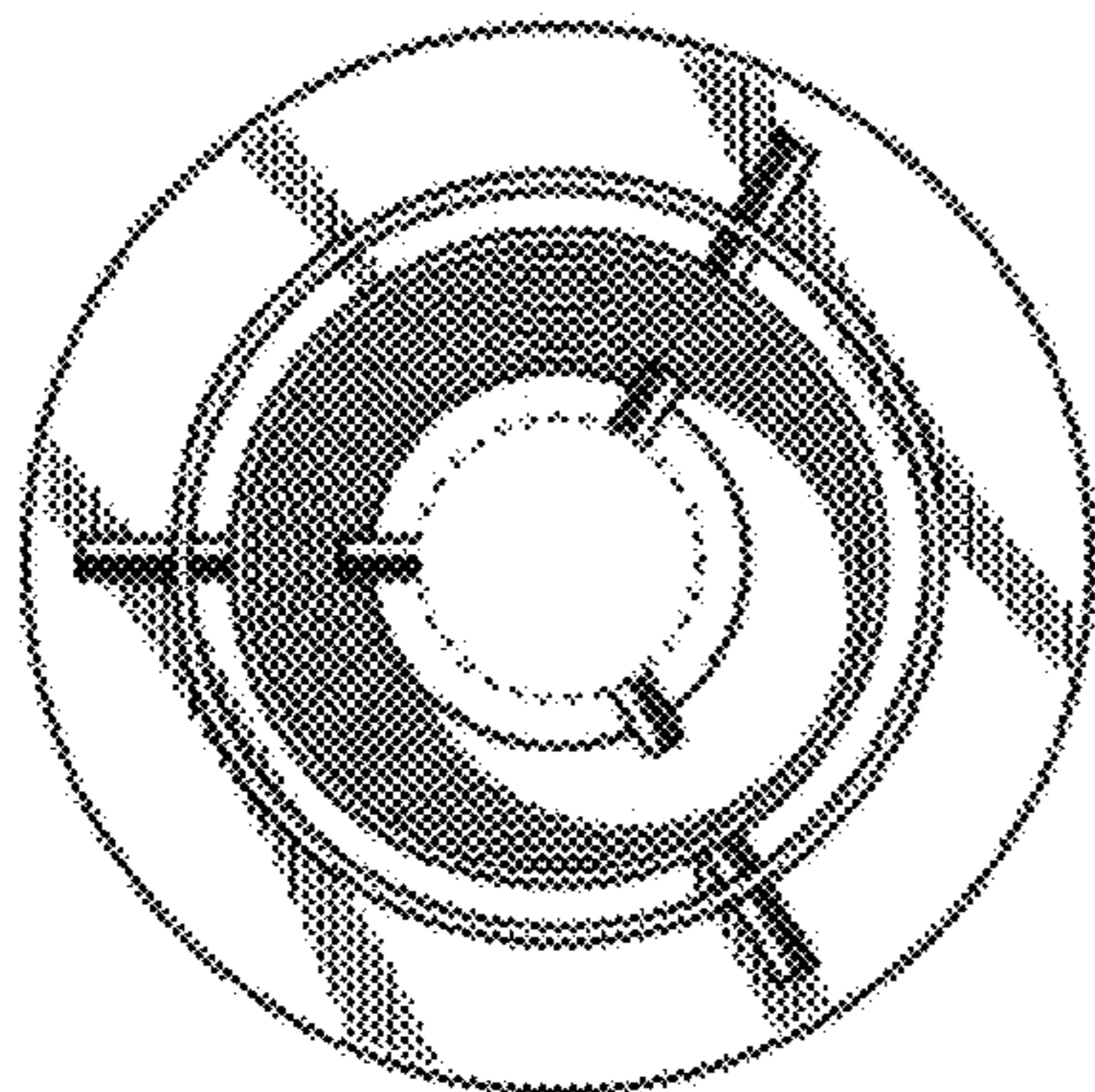


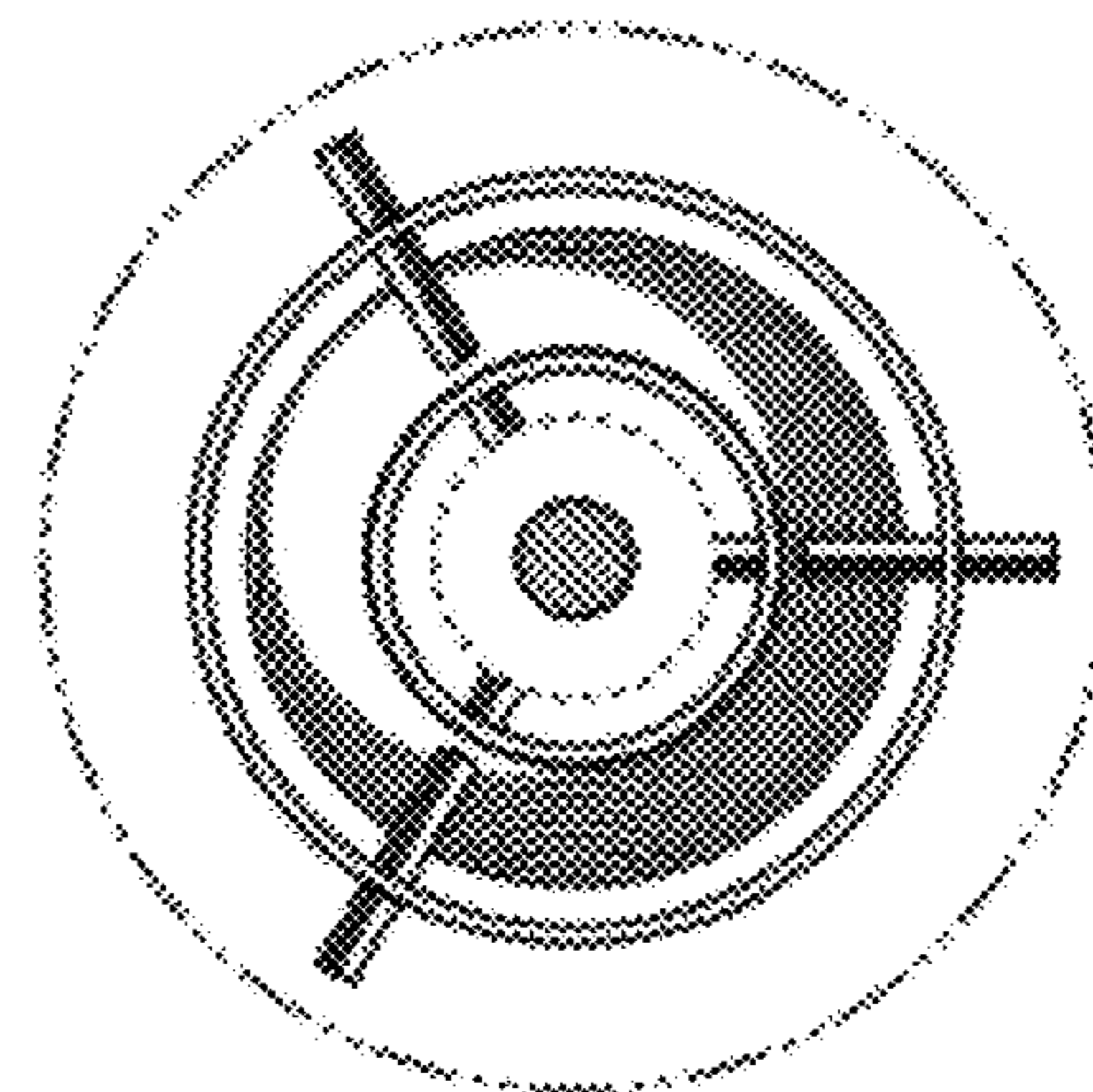
Fig.1



*Fig.4*



*Fig.5*



*Fig.6*