



US00D659888S

(12) **United States Design Patent**  
**Shin et al.**

(10) **Patent No.:** **US D659,888 S**

(45) **Date of Patent:** **\*\* May 15, 2012**

(54) **FLOODLIGHT**

(75) Inventors: **Daekee Shin**, Seoul (KR); **Yongduk Cha**, Gyeonggi-do (KR); **Hayoung Kim**, Gyeonggi-do (KR)

(73) Assignee: **LG Electronics Inc.**, Seoul (KR)

(\*\*) Term: **14 Years**

(21) Appl. No.: **29/401,662**

(22) Filed: **Sep. 14, 2011**

(30) **Foreign Application Priority Data**

Apr. 1, 2011 (KR) ..... 30-2011-0013147

(51) **LOC (9) Cl.** ..... **26-03**

(52) **U.S. Cl.** ..... **D26/90**

(58) **Field of Classification Search** ..... D26/80-82,  
D26/84, 86, 88, 90, 92, 128, 135, 136, 146,  
D26/147; 362/147, 404-408

See application file for complete search history.

(56) **References Cited**

**U.S. PATENT DOCUMENTS**

D48,284 S \* 12/1915 Schwartzman ..... D26/88  
D49,476 S \* 8/1916 Lucas ..... D26/88

D186,400 S \* 10/1959 Belau ..... D26/84  
D212,776 S \* 11/1968 Renaud ..... D26/88  
D226,217 S \* 1/1973 Anderson, Jr. .... D26/88  
D232,050 S \* 7/1974 Gore et al. .... D26/88  
D315,220 S \* 3/1991 Ramelia ..... D26/88  
D343,252 S \* 1/1994 Belisle ..... D26/88  
D407,521 S \* 3/1999 Crosby ..... D26/88  
D534,664 S \* 1/2007 Geens ..... D26/2  
D567,988 S \* 4/2008 Lissoni ..... D26/88  
D574,993 S \* 8/2008 Silver ..... D26/88  
D621,087 S \* 8/2010 Nagane et al. .... D26/88

\* cited by examiner

*Primary Examiner* — Clare E Heflin

(74) *Attorney, Agent, or Firm* — Morgan, Lewis & Bockius LLP

(57) **CLAIM**

The ornamental design for a floodlight, as shown and described.

**DESCRIPTION**

FIG. 1 is a front, right side, perspective view of a floodlight showing our new design;  
FIG. 2 is a front view thereof;  
FIG. 3 is a rear view thereof;  
FIG. 4 is a left side view thereof;  
FIG. 5 is a right side view thereof;  
FIG. 6 is a top view thereof; and,  
FIG. 7 is a bottom view thereof.

**1 Claim, 7 Drawing Sheets**

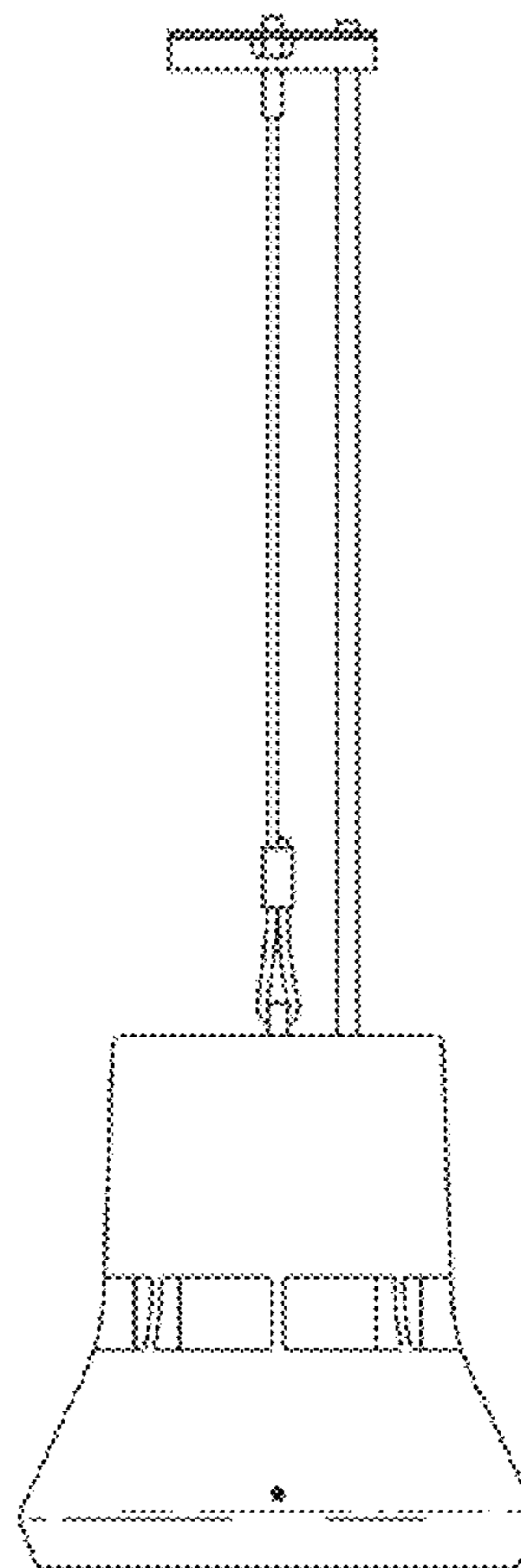
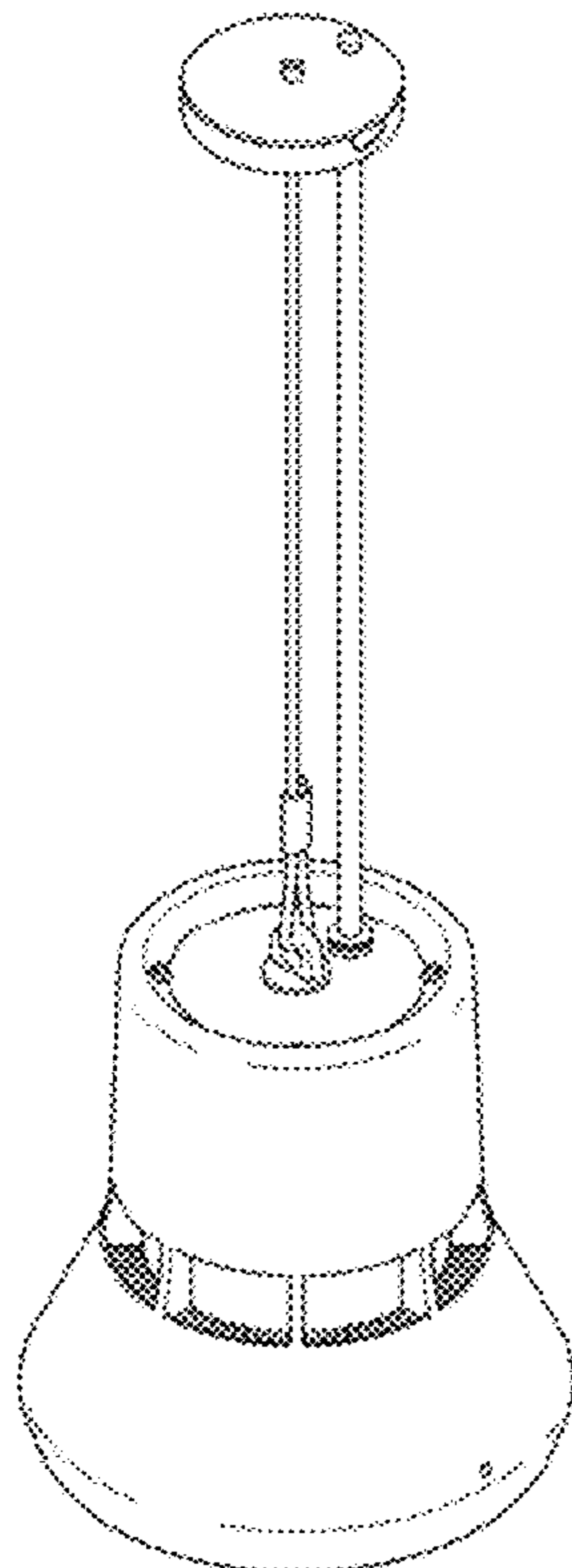


FIG. 1

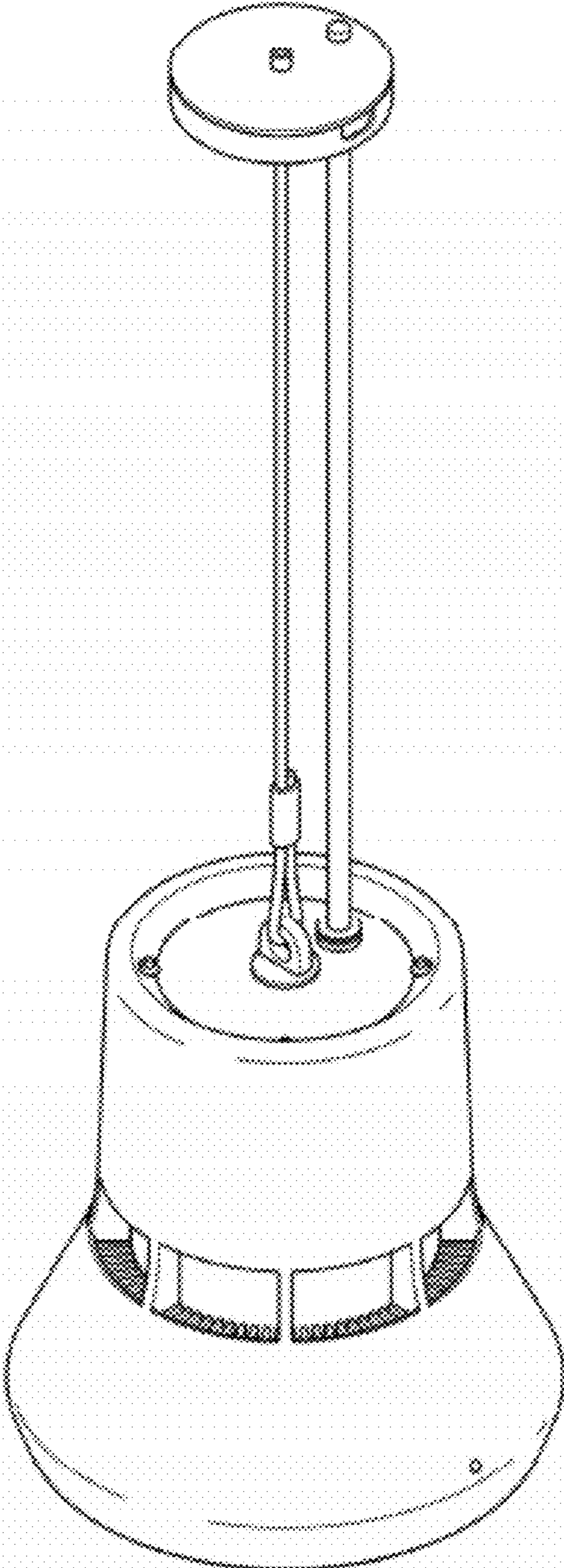


FIG. 2

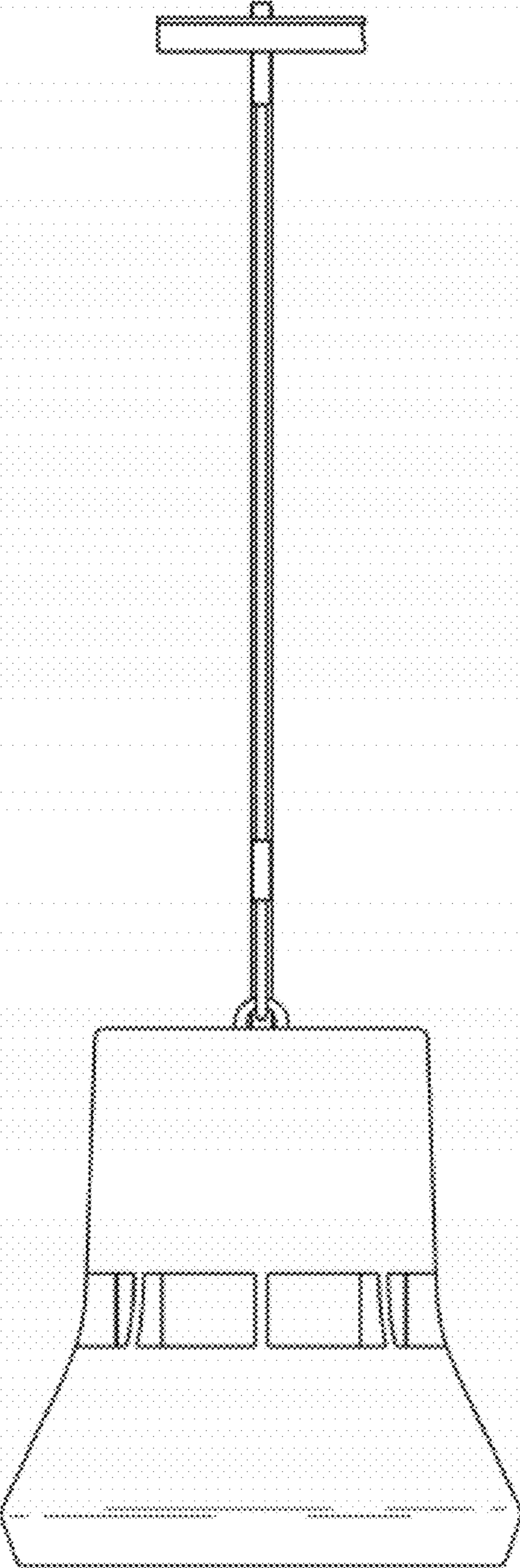


FIG. 3

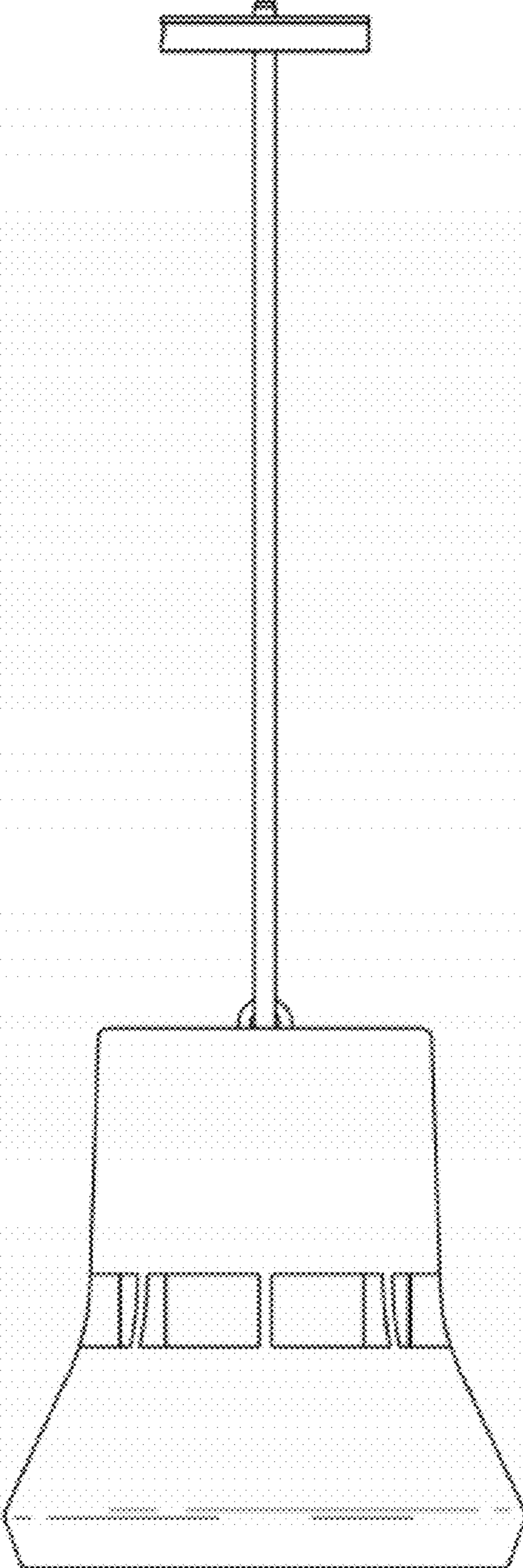


FIG. 4

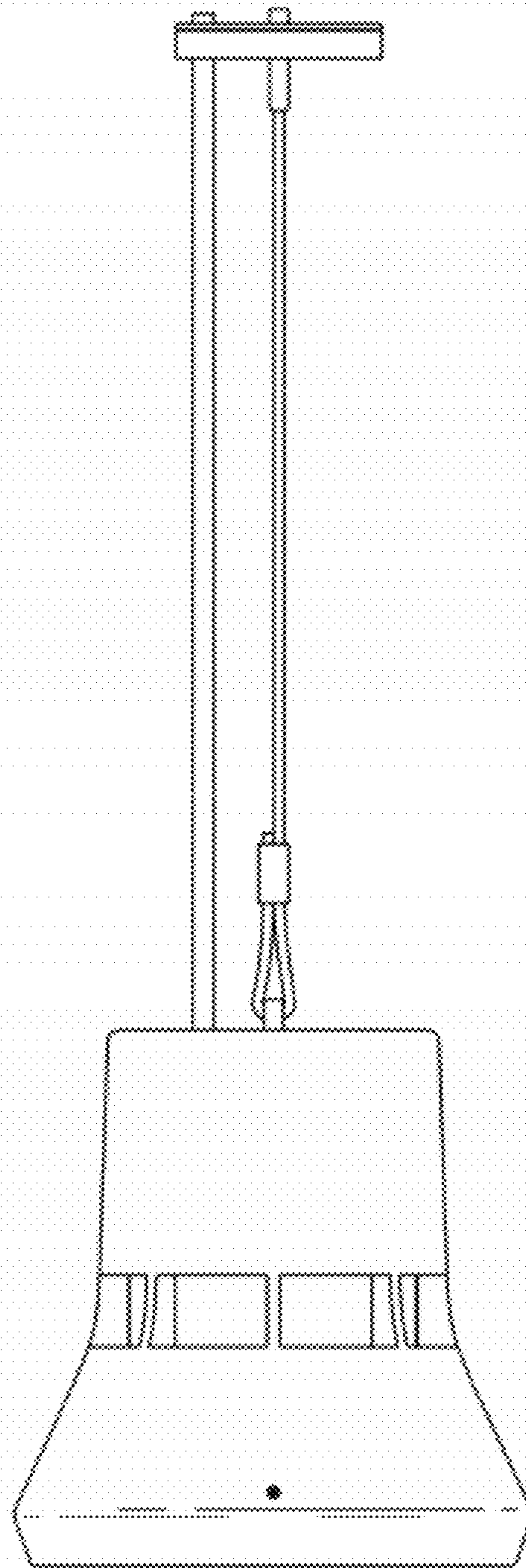


FIG. 5

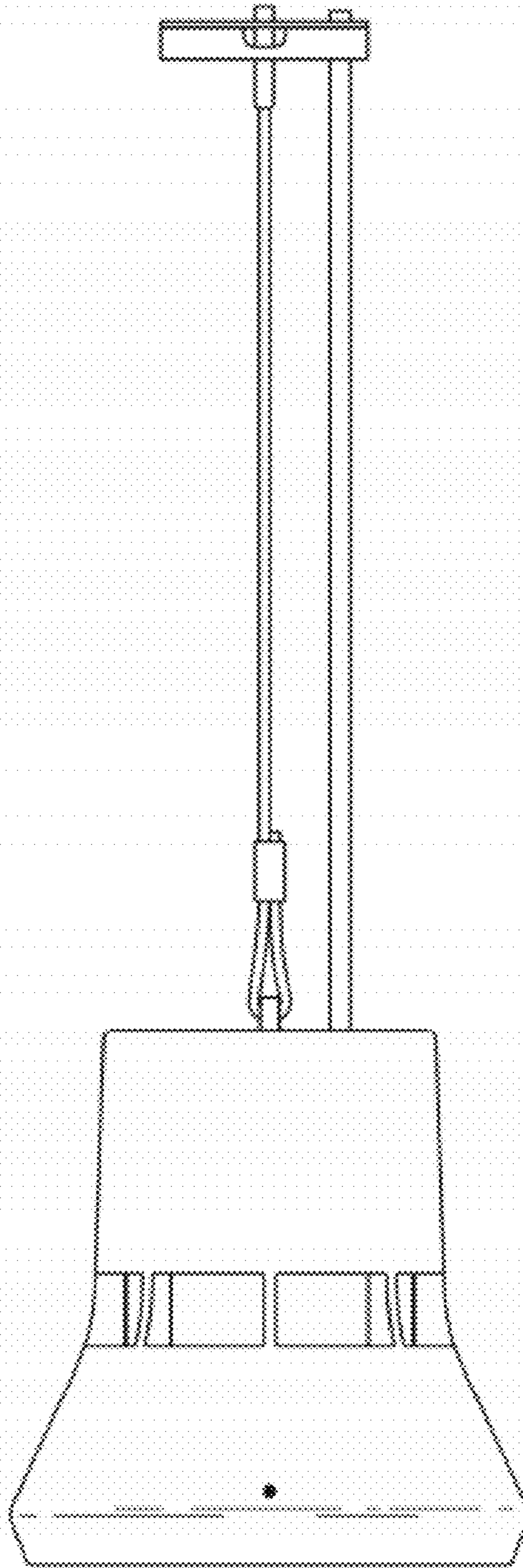


FIG. 6

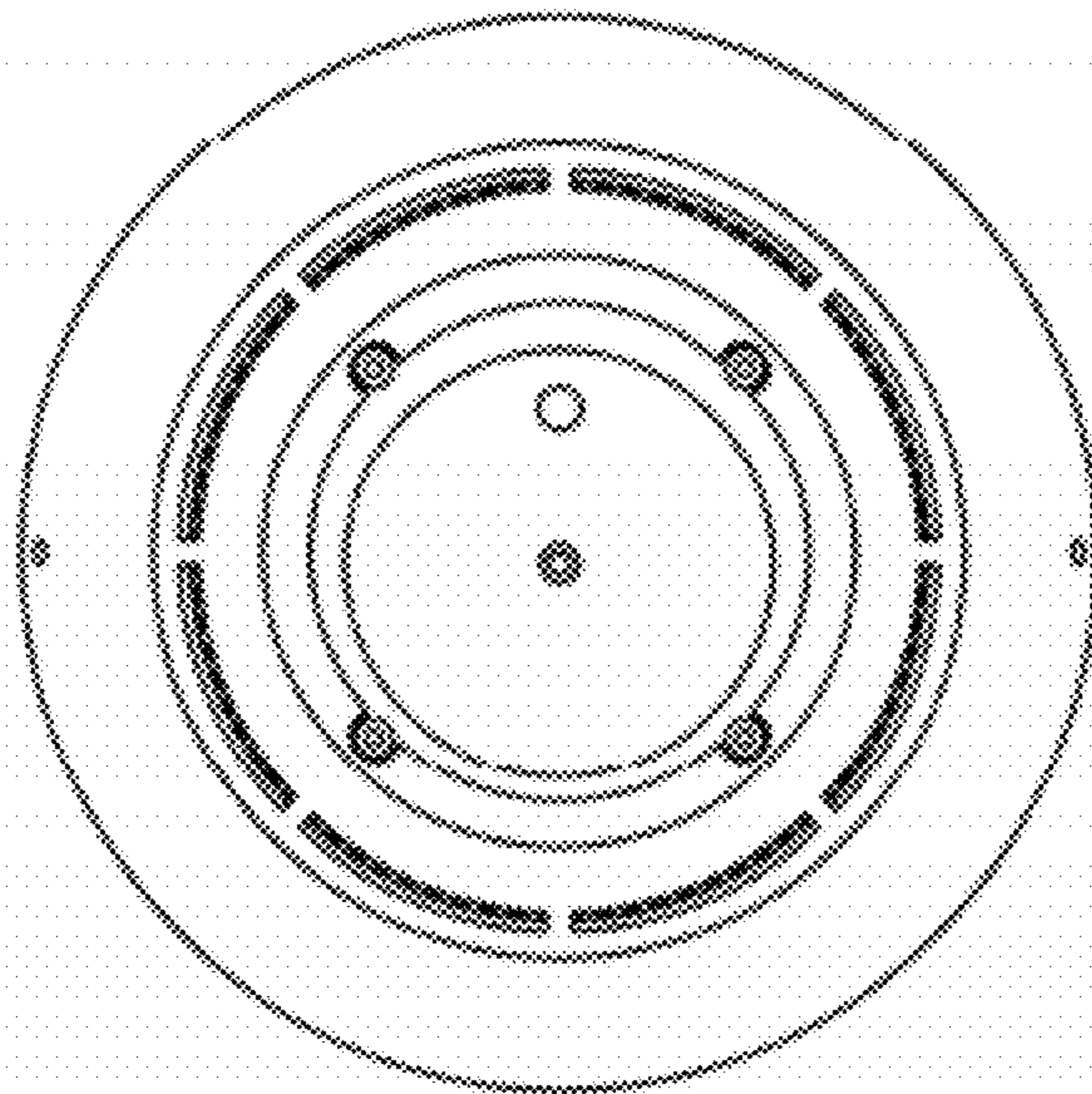


FIG. 7

