



US00D659884S

(12) **United States Design Patent**
Sabernig

(10) **Patent No.:** **US D659,884 S**

(45) **Date of Patent:** **** May 15, 2012**

(54) **LIGHT FIXTURE**

(75) Inventor: **Robert Sabernig**, Munster (AT)

(73) Assignee: **EGLO Leuchten GmbH**, Innsbruck (AT)

(**) Term: **14 Years**

(21) Appl. No.: **29/384,732**

(22) Filed: **Feb. 3, 2011**

(51) **LOC (9) Cl.** **26-03**

(52) **U.S. Cl.** **D26/88; D26/84; D26/90**

(58) **Field of Classification Search** D26/84-86,
D26/88-91, 118, 128, 137; 362/147, 404-408,
362/431, 432

See application file for complete search history.

(56) **References Cited**

U.S. PATENT DOCUMENTS

D400,287 S *	10/1998	Littman et al.	D26/88
D446,337 S *	8/2001	Benghozi	D26/86
D563,024 S *	2/2008	Hetfield et al.	D26/72
D563,590 S *	3/2008	Hetfield et al.	D26/88
D564,696 S *	3/2008	Hetfield et al.	D26/88
D596,337 S *	7/2009	Sabernig	D26/88
D596,338 S *	7/2009	Sabernig	D26/88
D620,183 S *	7/2010	Sabernig	D26/88
D620,184 S *	7/2010	Sabernig	D26/88
D620,629 S *	7/2010	Sabernig	D26/84
D634,046 S *	3/2011	Sabernig	D26/84
D634,047 S *	3/2011	Sabernig	D26/84
D634,052 S *	3/2011	Sabernig	D26/88

OTHER PUBLICATIONS

“Tromba” pendants #140-6 and #140-3L on p. 317 of the 2009 Elk Lighting Catalog.(2 pages include front cover of catalog).*

“Frost” pendant #E22002-10 on p. 151; and “Frost” pendant #E22001-10 on p. 152 of the ET2 Lighting 2007 Catalog. (3 pages include front cover of catalog).*

* cited by examiner

Primary Examiner — Clare E Heflin

(74) *Attorney, Agent, or Firm* — Baker & McKenzie LLP

(57) **CLAIM**

The ornamental design for a light fixture, as shown and described.

DESCRIPTION

FIG. 1 is a perspective view, lined for color, of a light fixture in accordance with my design;

FIG. 2 is a front elevation view, lined for color, of the light fixture in accordance with my design;

FIG. 3 is a back elevation view, lined for color, of the light fixture in accordance with my design;

FIG. 4 is a side elevation view, lined for color, of the light fixture in accordance with my design, the opposite view being a mirror image of that shown;

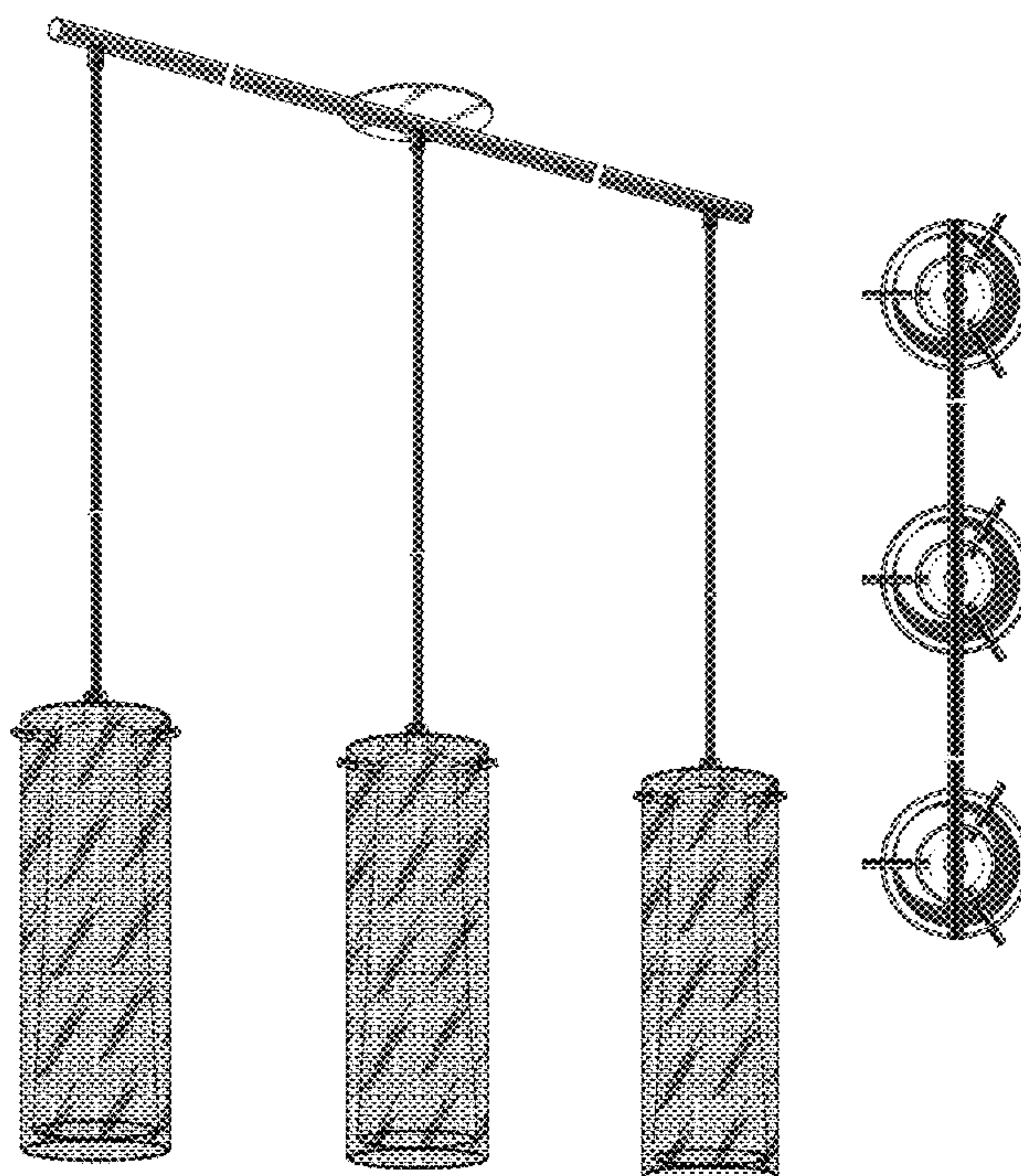
FIG. 5 is a top plan view of the light fixture in accordance with my design; and,

FIG. 6 is a bottom plan view of the light fixture in accordance with my design.

The broken-line disclosure of elements is understood to represent portions of the article in which the design is embodied, but which form no part of the claimed design.

The portions of the light fixture shown broken away in FIGS. 1-6 are to depict non-specific length.

1 Claim, 4 Drawing Sheets



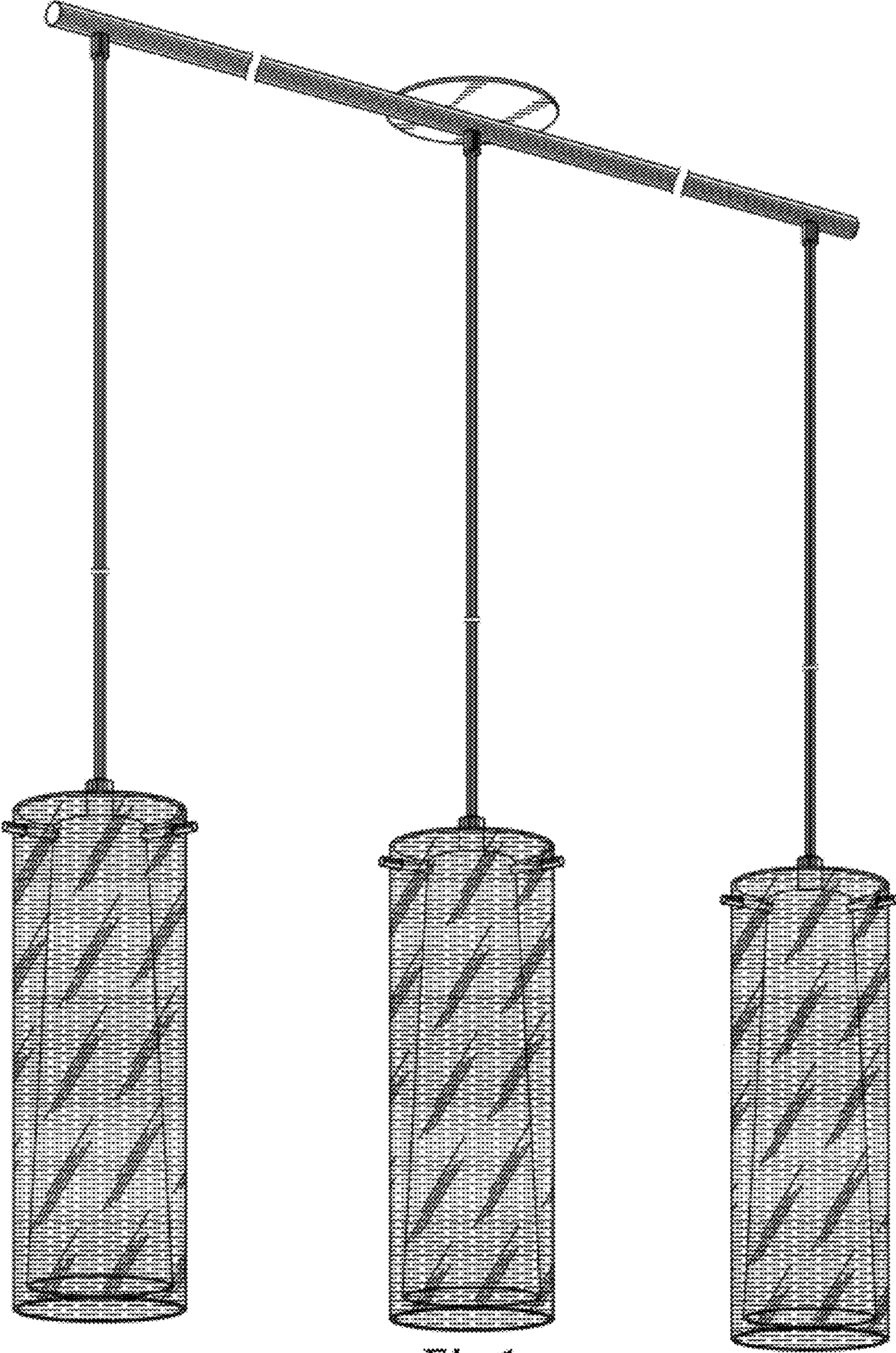


Fig.1

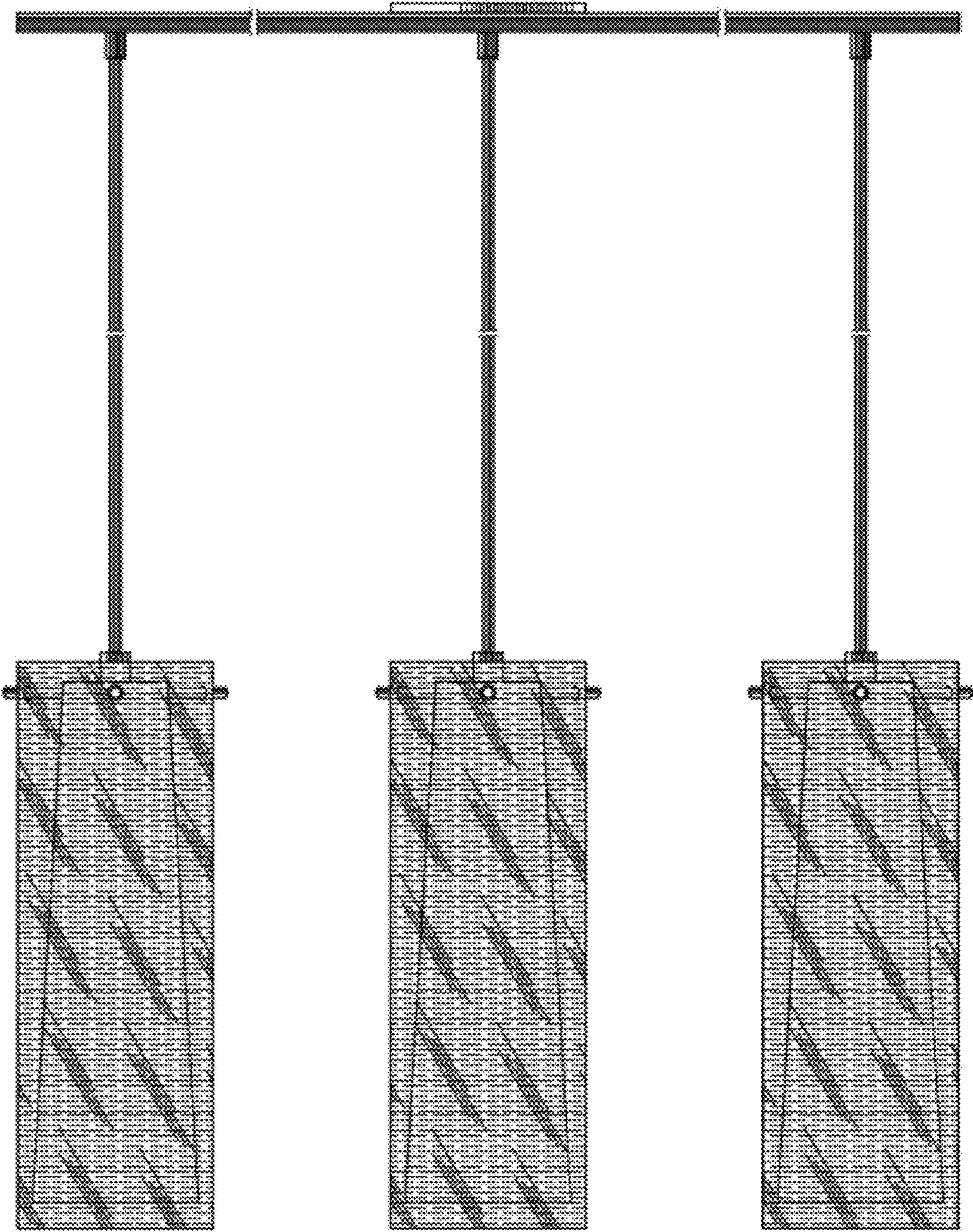


Fig.2

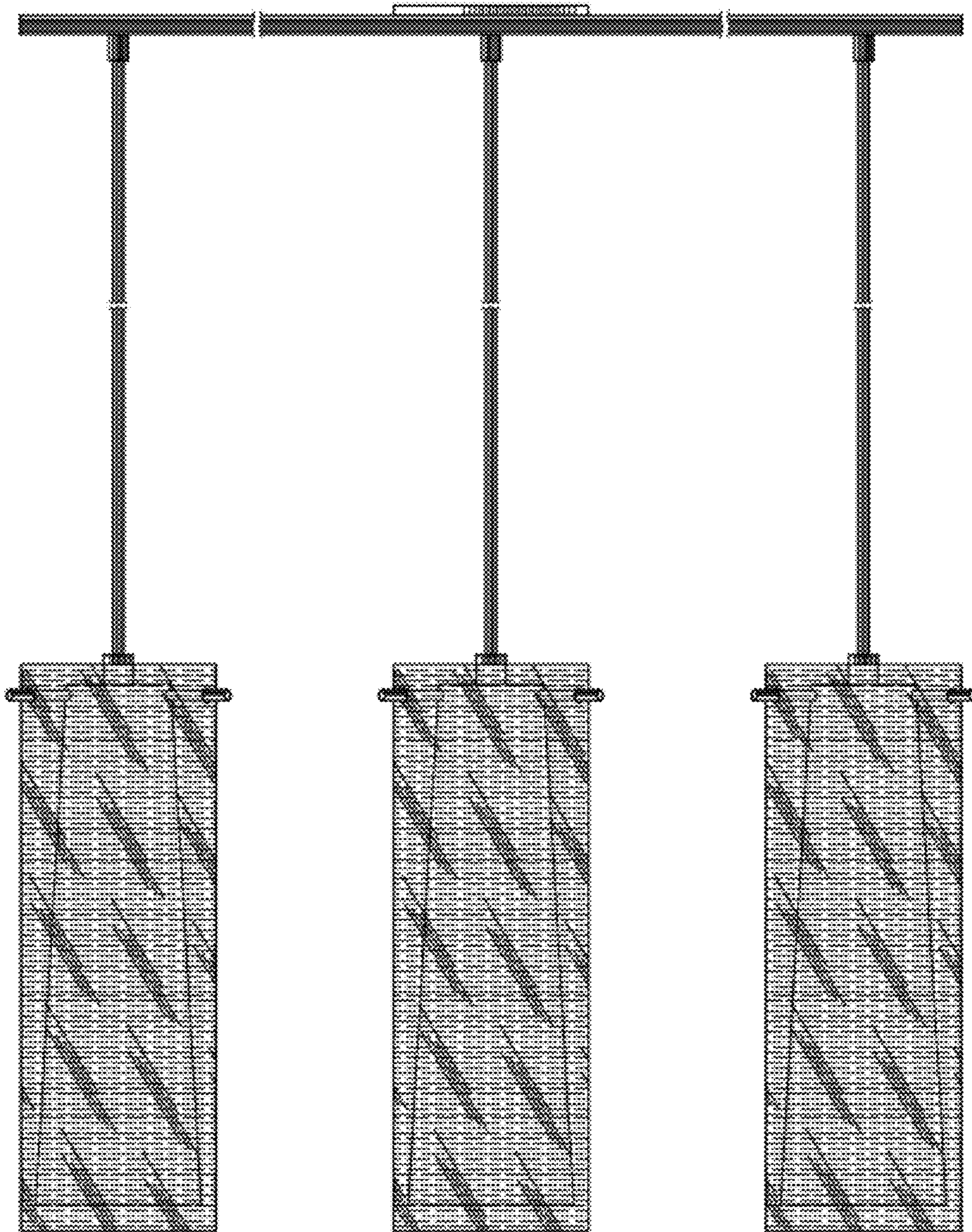


Fig.3

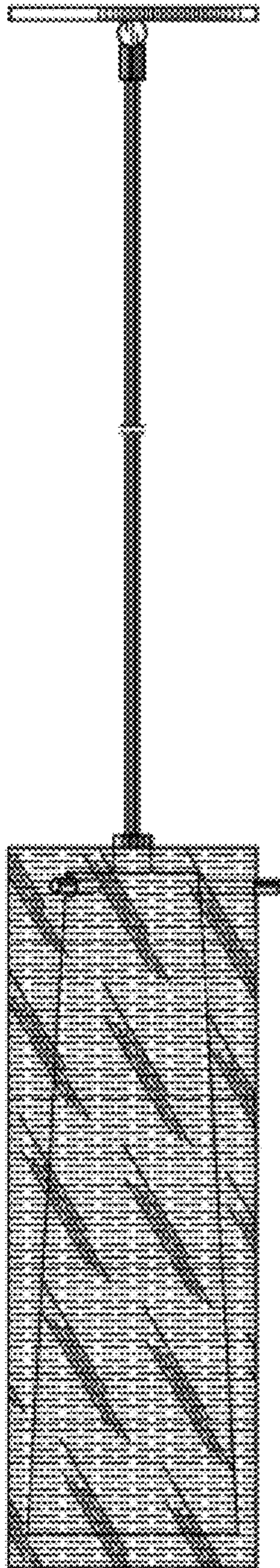


Fig.4

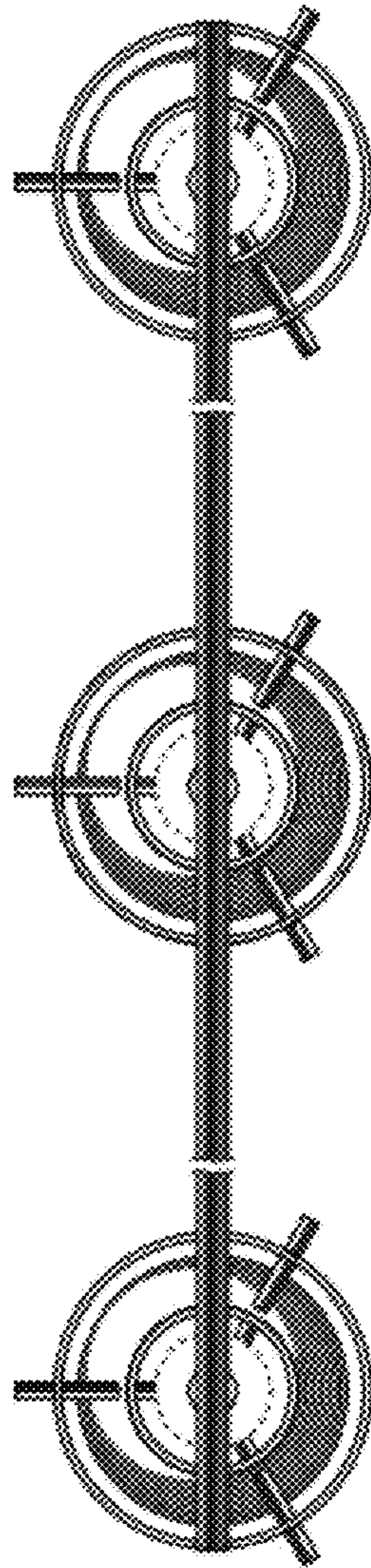


Fig.5

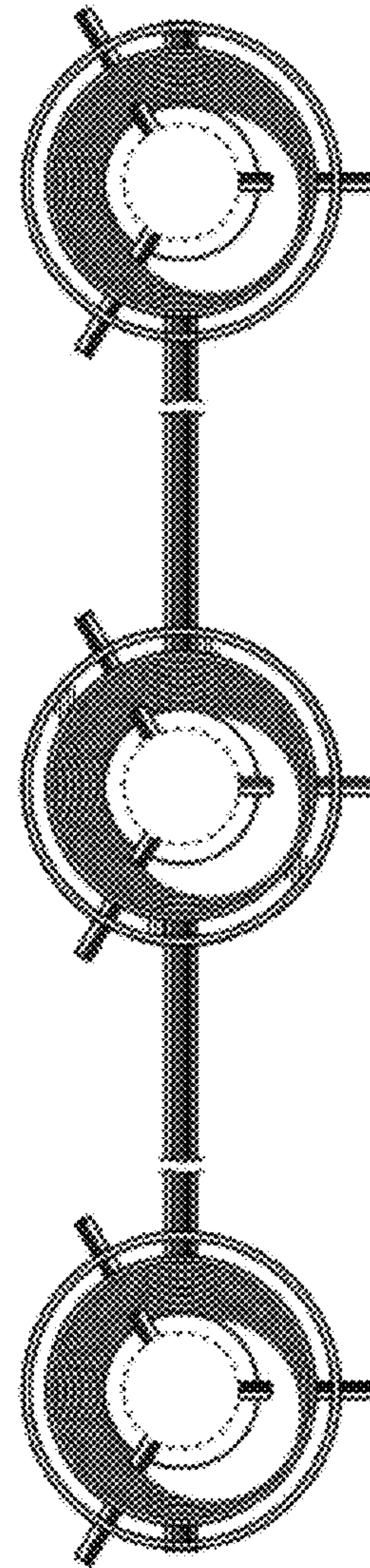


Fig.6