



US00D659882S

(12) **United States Design Patent**
Sterling et al.

(10) **Patent No.:** **US D659,882 S**

(45) **Date of Patent:** **** May 15, 2012**

(54) **HANGING LAMP**

(75) Inventors: **Christi Sterling**, Plano, TX (US);
JoAnn Brewer, Plano, TX (US)

(73) Assignee: **CJ Lookz, LLC**, Plano, TX (US)

(**) Term: **14 Years**

(21) Appl. No.: **29/383,055**

(22) Filed: **Jan. 11, 2011**

(51) **LOC (9) Cl.** **26-05**

(52) **U.S. Cl.** **D26/83; D26/88**

(58) **Field of Classification Search** D26/80-92,
D26/144; 362/147, 404-408

See application file for complete search history.

(56) **References Cited**

U.S. PATENT DOCUMENTS

D16,355 S *	10/1885	Noe	D26/154
D16,550 S *	2/1886	Schneider	D26/154
D61,515 S *	9/1922	Ansorge	D26/88
D61,855 S *	1/1923	Dahe	D26/88
D62,587 S *	6/1923	Pfleager	D26/88
D64,110 S *	3/1924	Cooper	D26/88
D64,990 S *	6/1924	Klein	D26/88
D65,066 S *	7/1924	Klein	D26/88
D67,337 S *	5/1925	Chappell	D26/81
D112,216 S *	11/1938	Robinson et al.	D26/88
D605,332 S *	12/2009	Miranda	D26/88
2005/0172668 A1 *	8/2005	Bayer et al.	63/28

* cited by examiner

Primary Examiner — Clare E Hefflin

(57) **CLAIM**

The ornamental design for a hanging lamp, as shown and described.

DESCRIPTION

FIG. 1 is a perspective view of a hanging lamp according to one embodiment of our new design;

FIG. 2 is a front elevational view of the hanging lamp shown in FIG. 1;

FIG. 3 is a back elevational view of the hanging lamp shown in FIG. 1;

FIG. 4 is a left side elevational view of the hanging lamp shown in FIG. 1;

FIG. 5 is a right side elevational view of the hanging lamp shown in FIG. 1;

FIG. 6 is a top view of the hanging lamp shown in FIG. 1;

FIG. 7 is a bottom view of the hanging lamp shown in FIG. 1;

FIG. 8 is a perspective view of a hanging lamp according to a second embodiment of our new design;

FIG. 9 is a front elevational view of the hanging lamp shown in FIG. 8;

FIG. 10 is a back elevational view of the hanging lamp shown in FIG. 8;

FIG. 11 is a left side elevational view of the hanging lamp shown in FIG. 8;

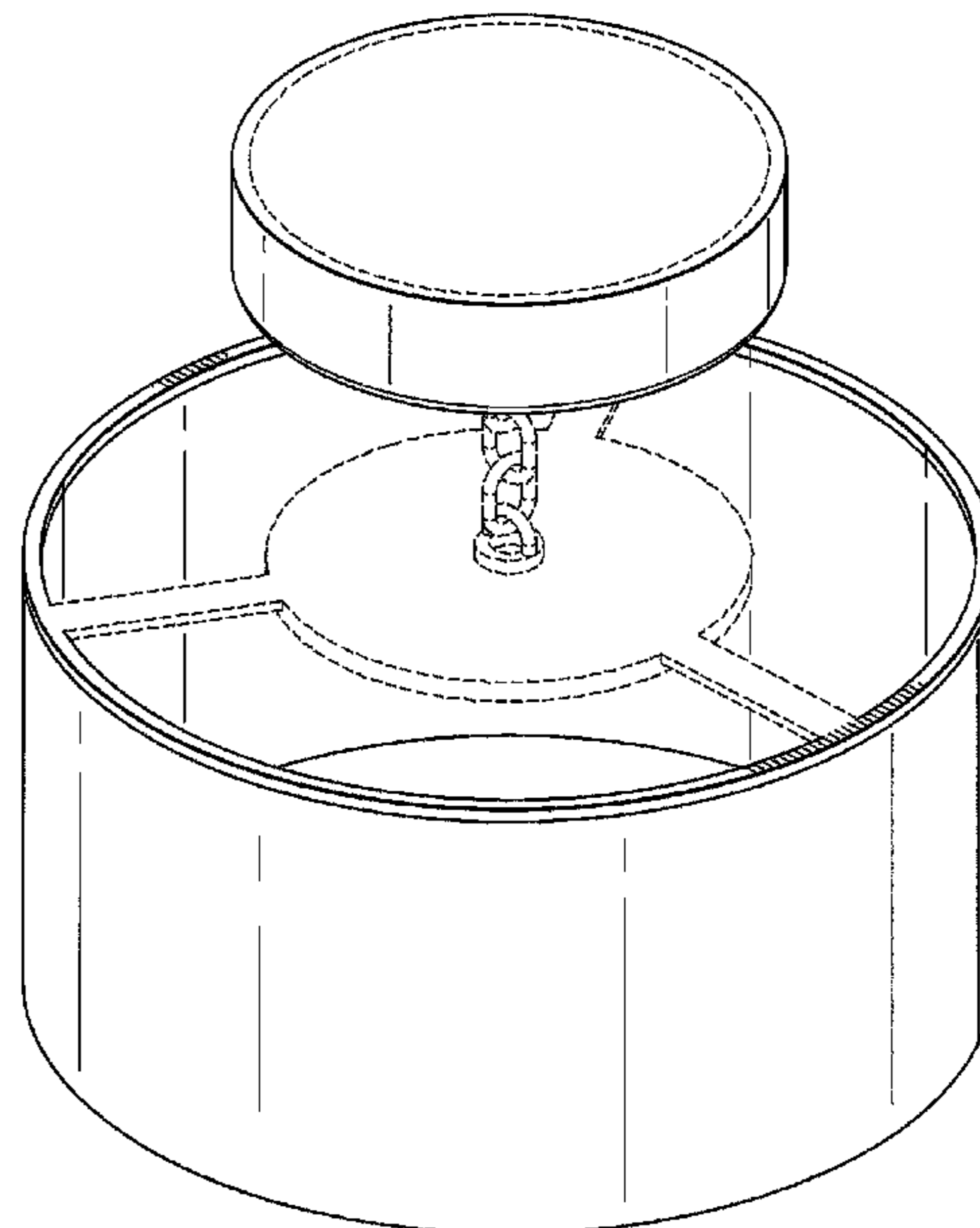
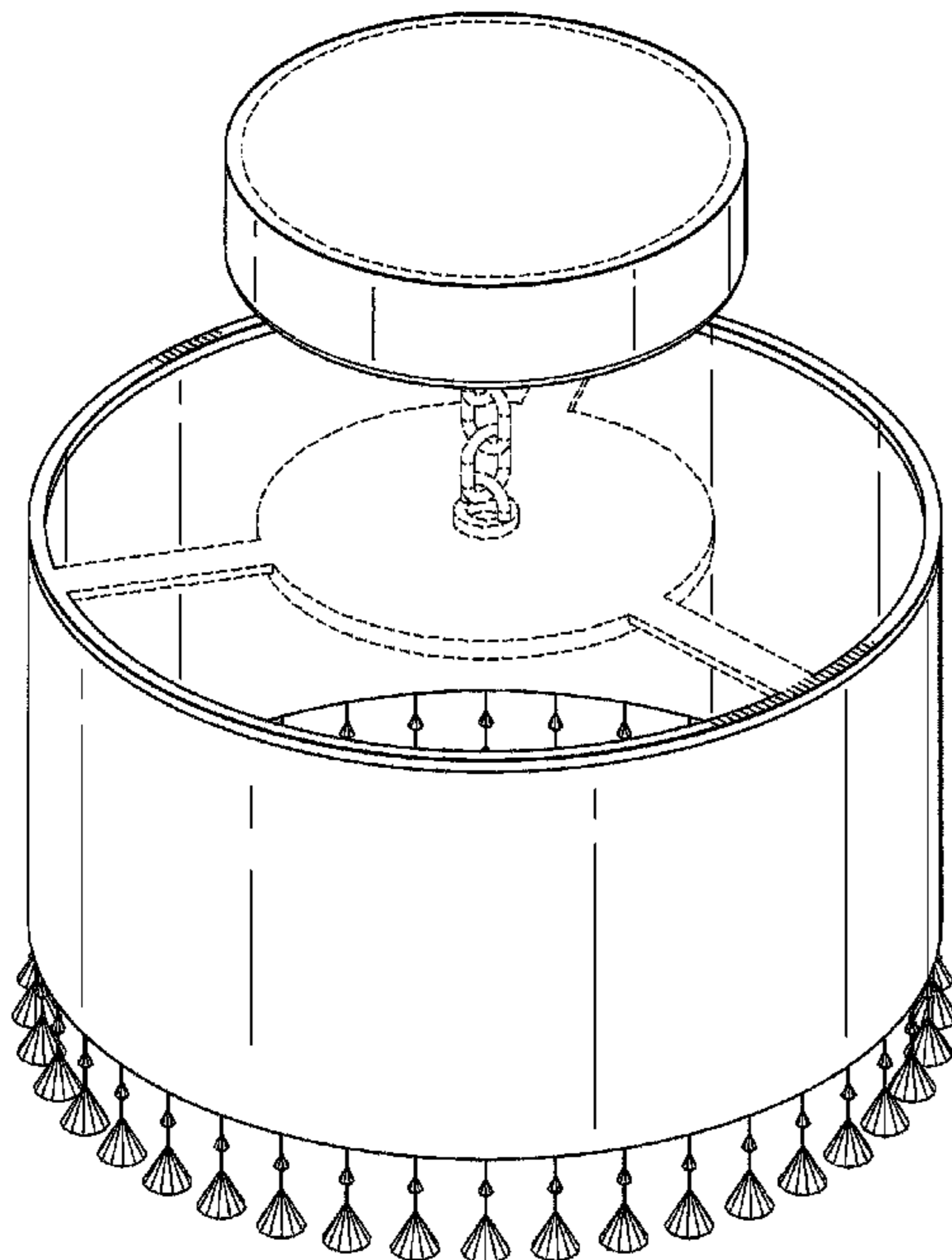
FIG. 12 is a right side elevational view of the hanging lamp shown in FIG. 8;

FIG. 13 is a top view of the hanging lamp shown in FIG. 8; and,

FIG. 14 is a bottom view of the hanging lamp shown in FIG. 8.

The broken lines are for illustrative purposes only and form no part of the claimed design.

1 Claim, 14 Drawing Sheets



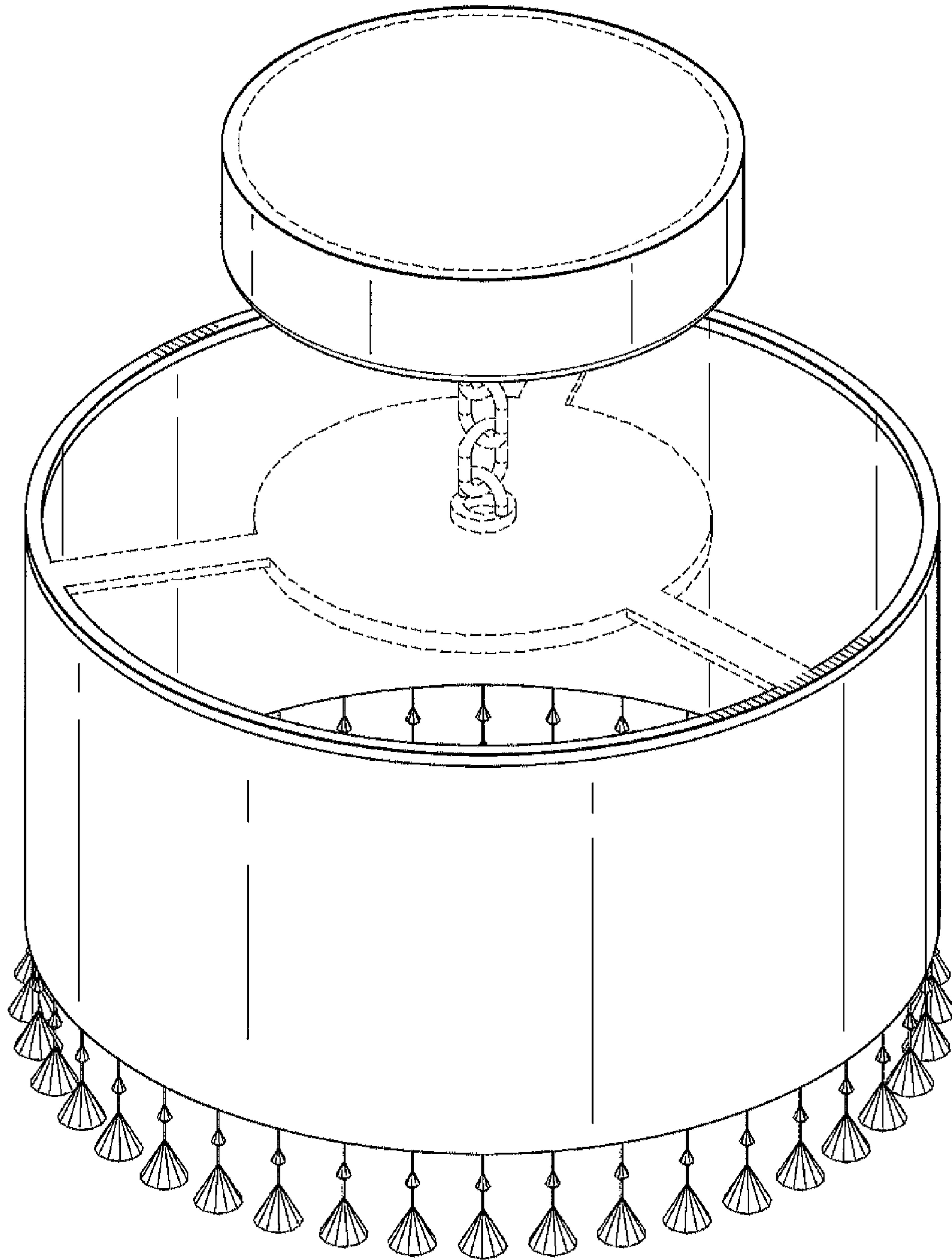


FIG. 1

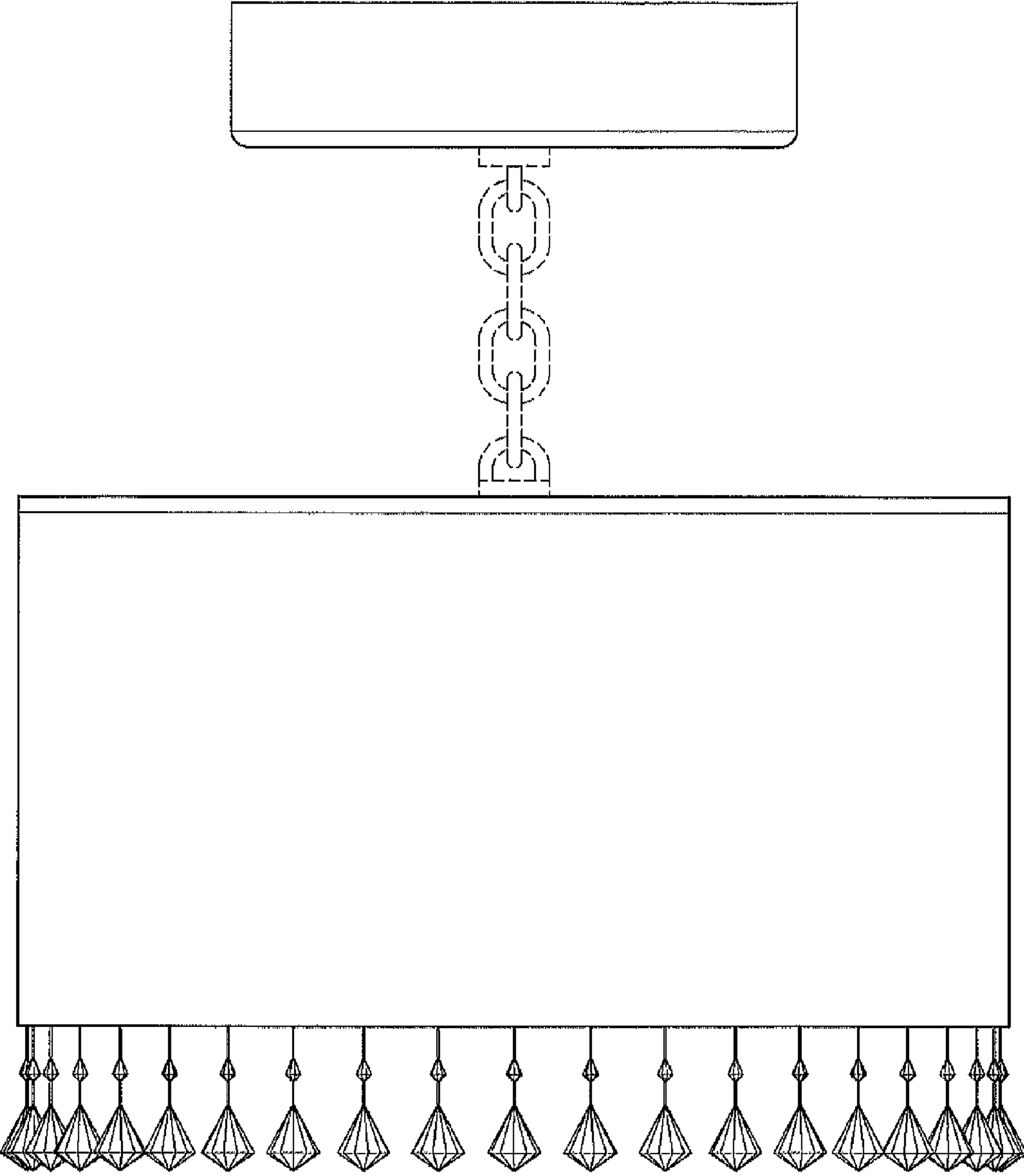


FIG. 2

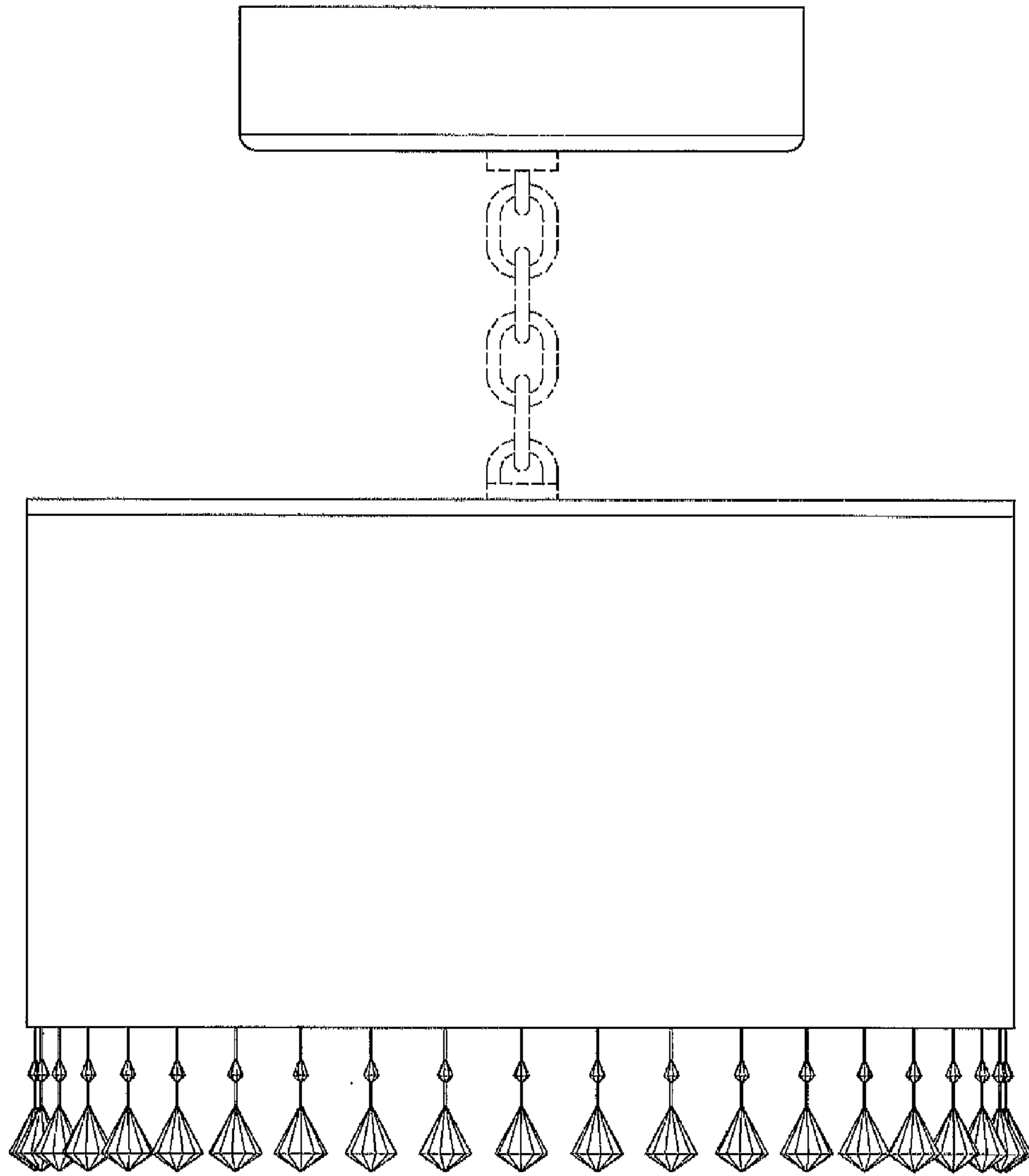


FIG. 3

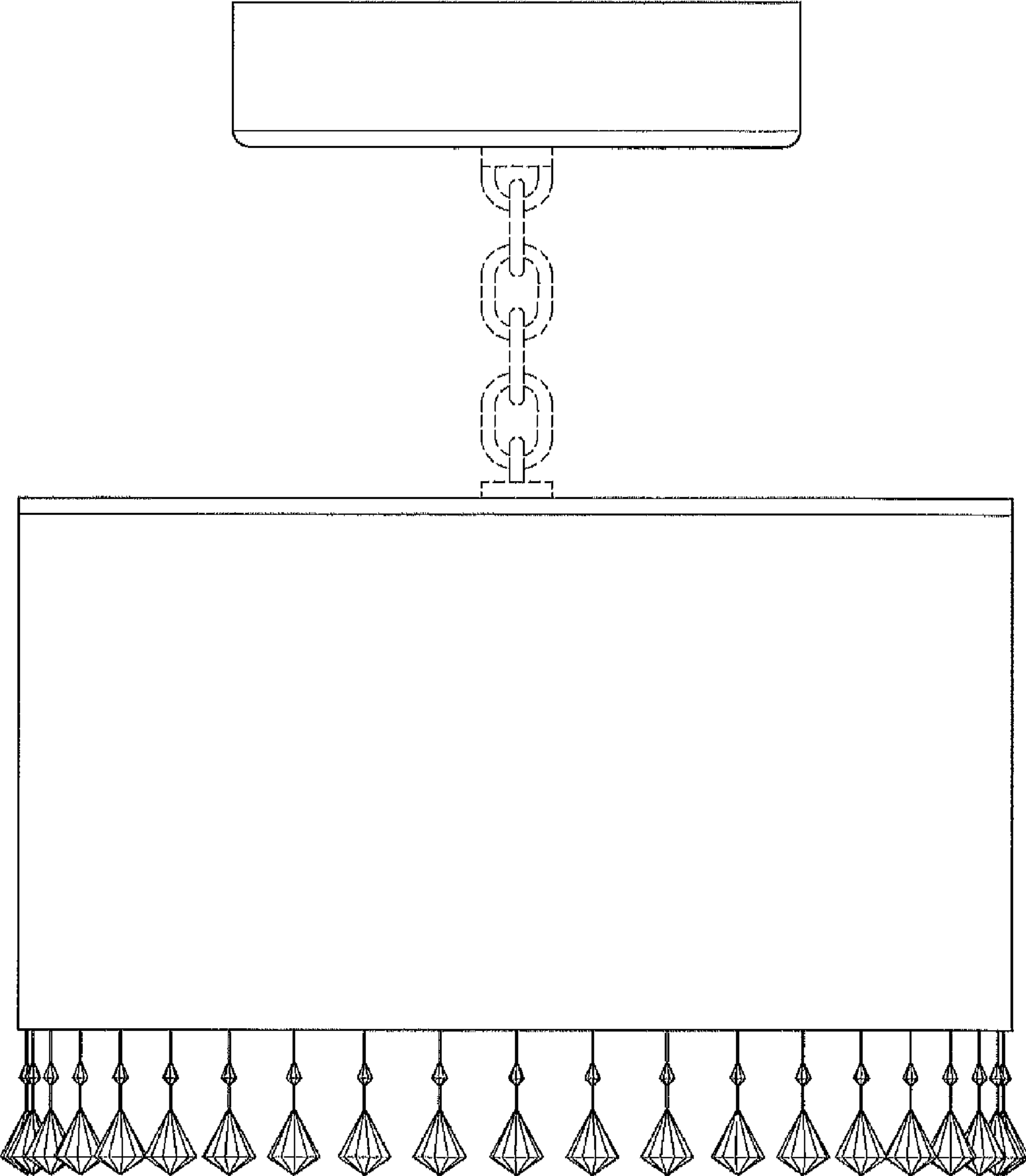


FIG. 4

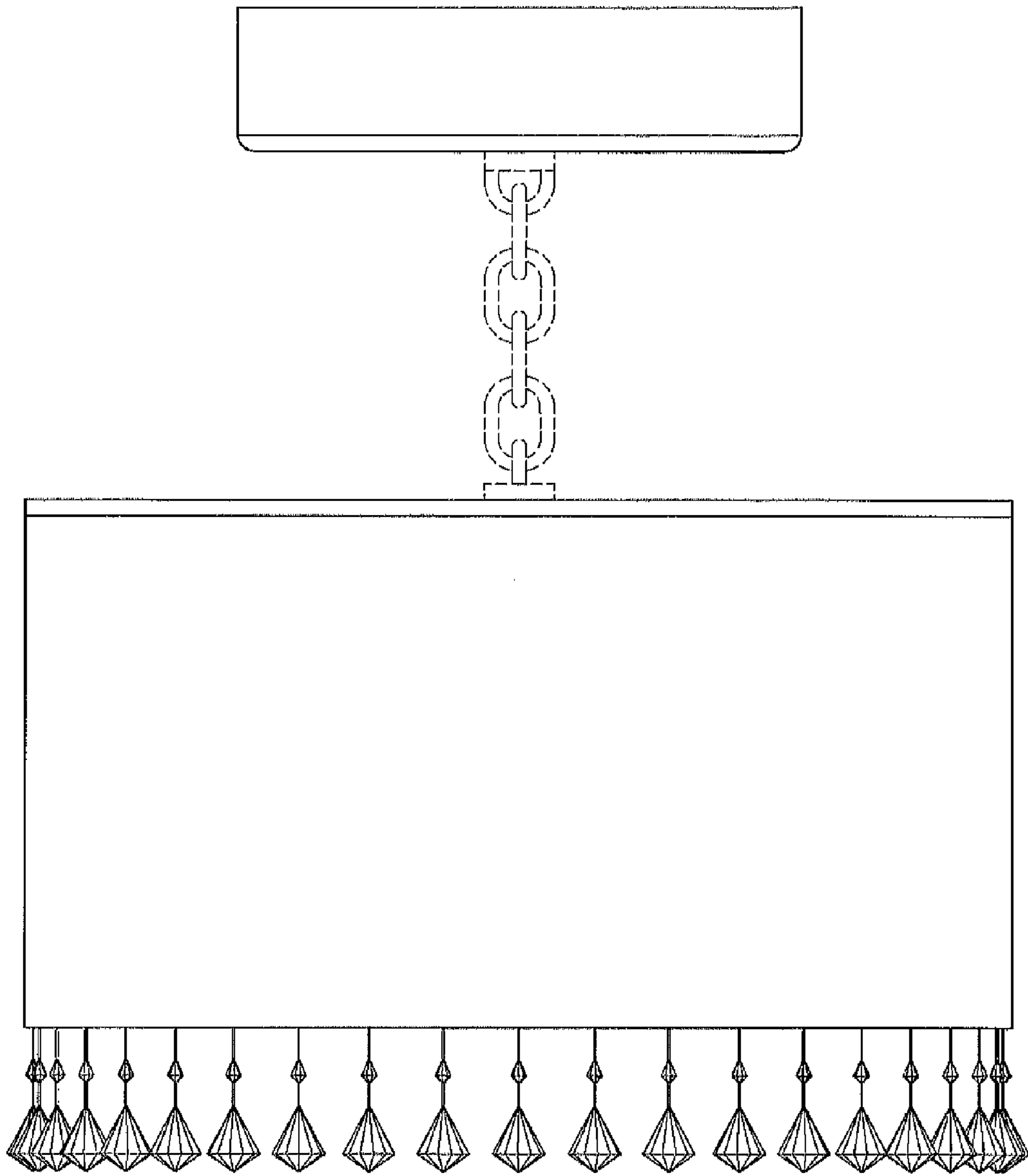


FIG. 5

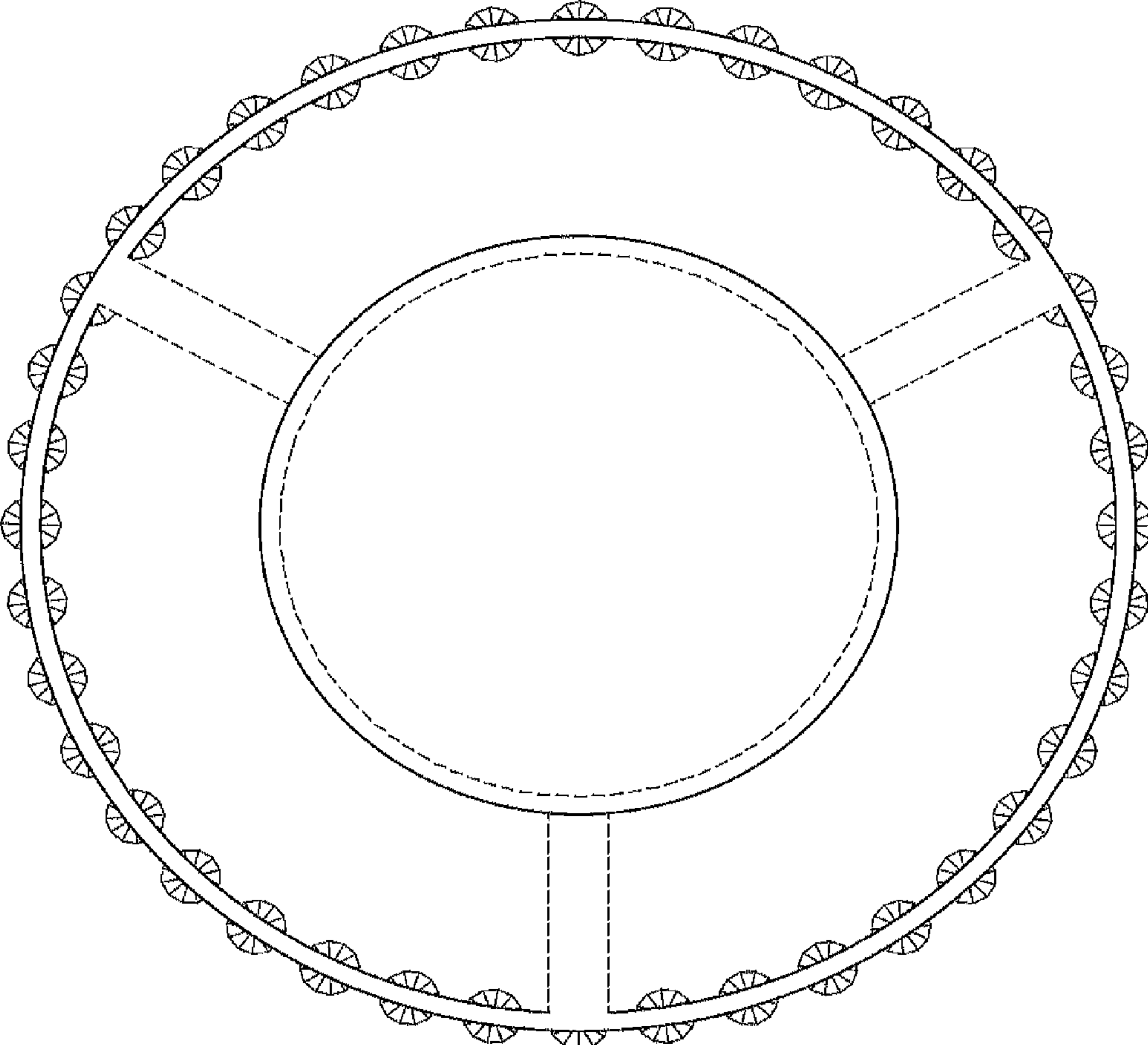


FIG. 6

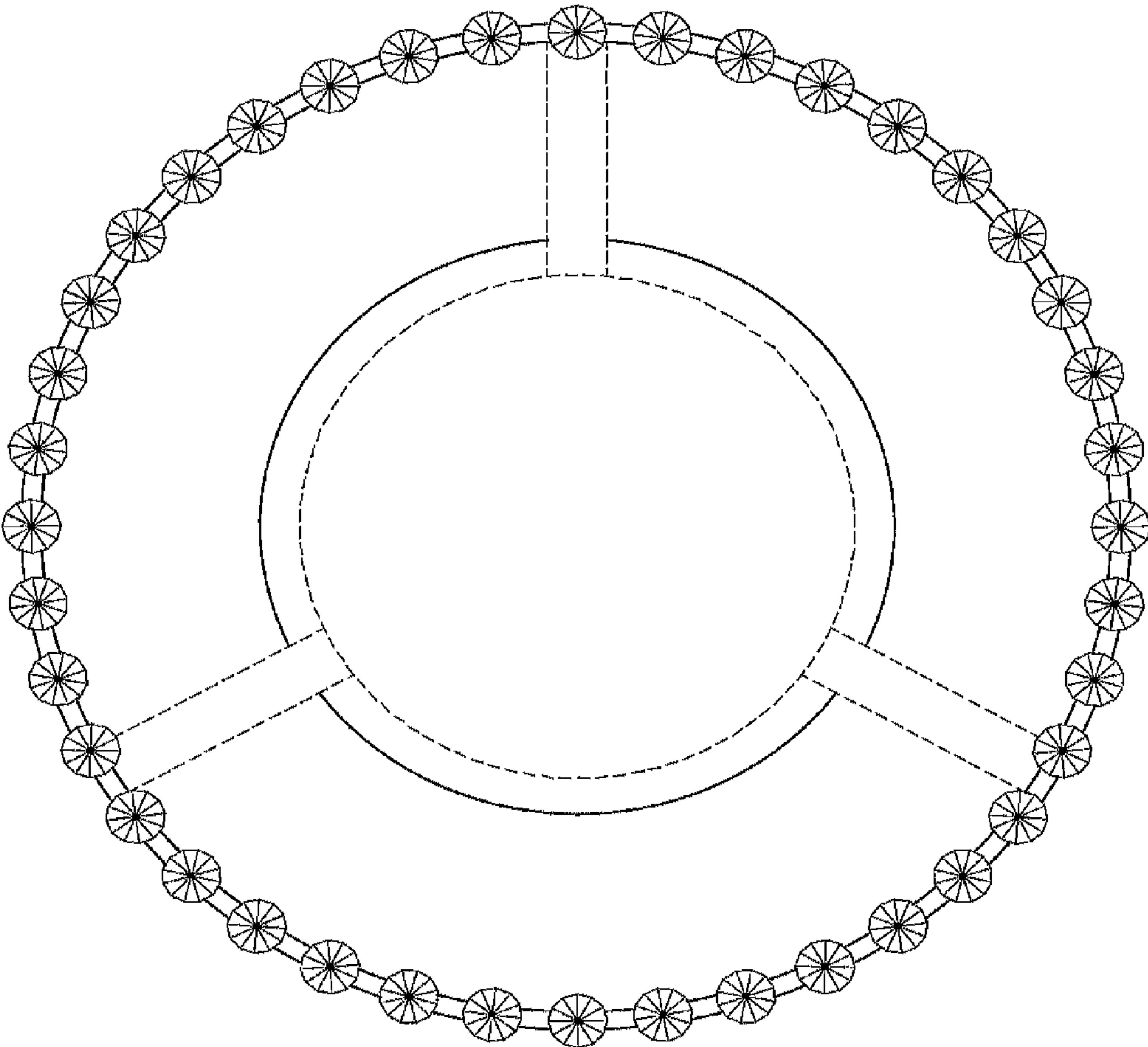


FIG. 7

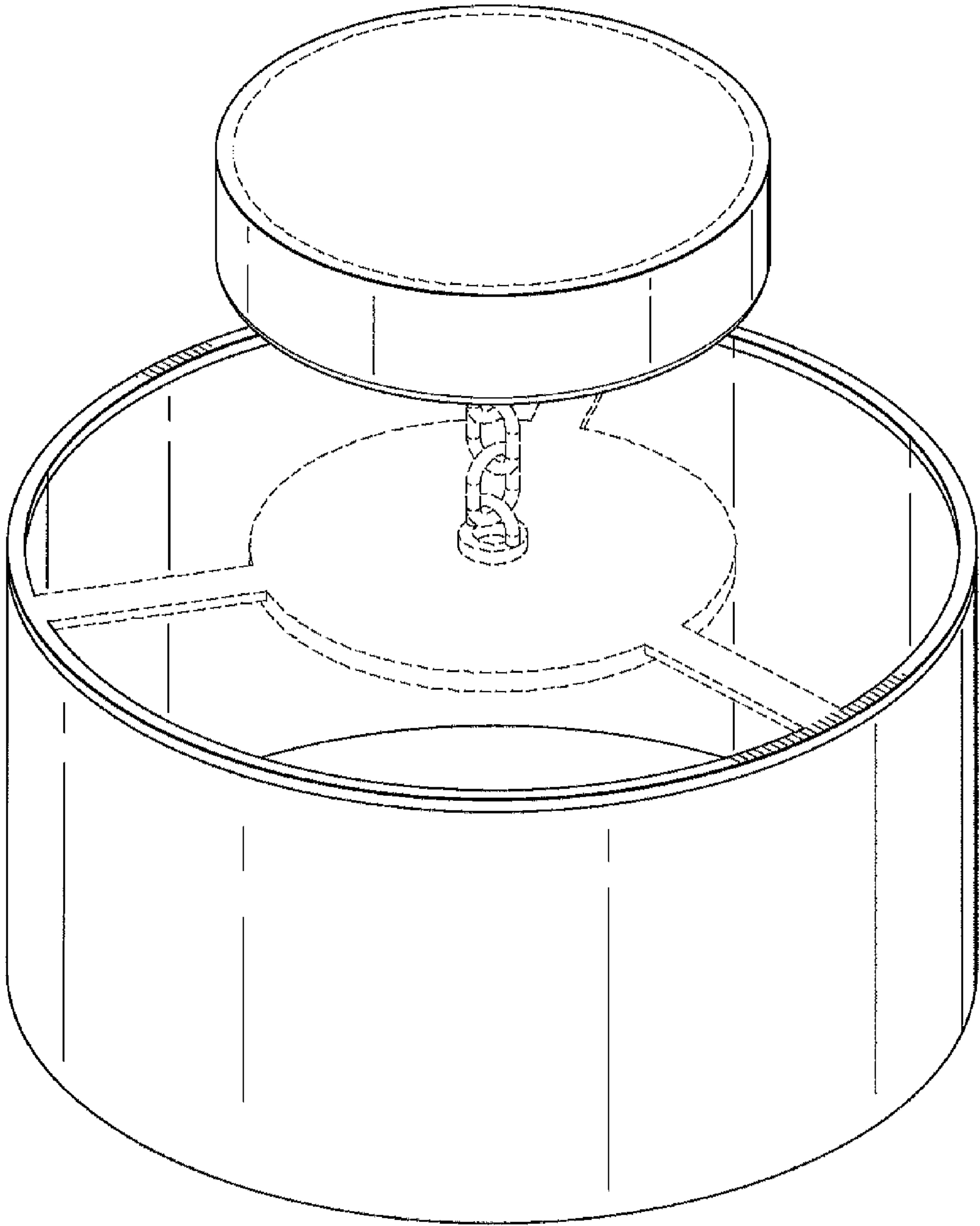


FIG. 8

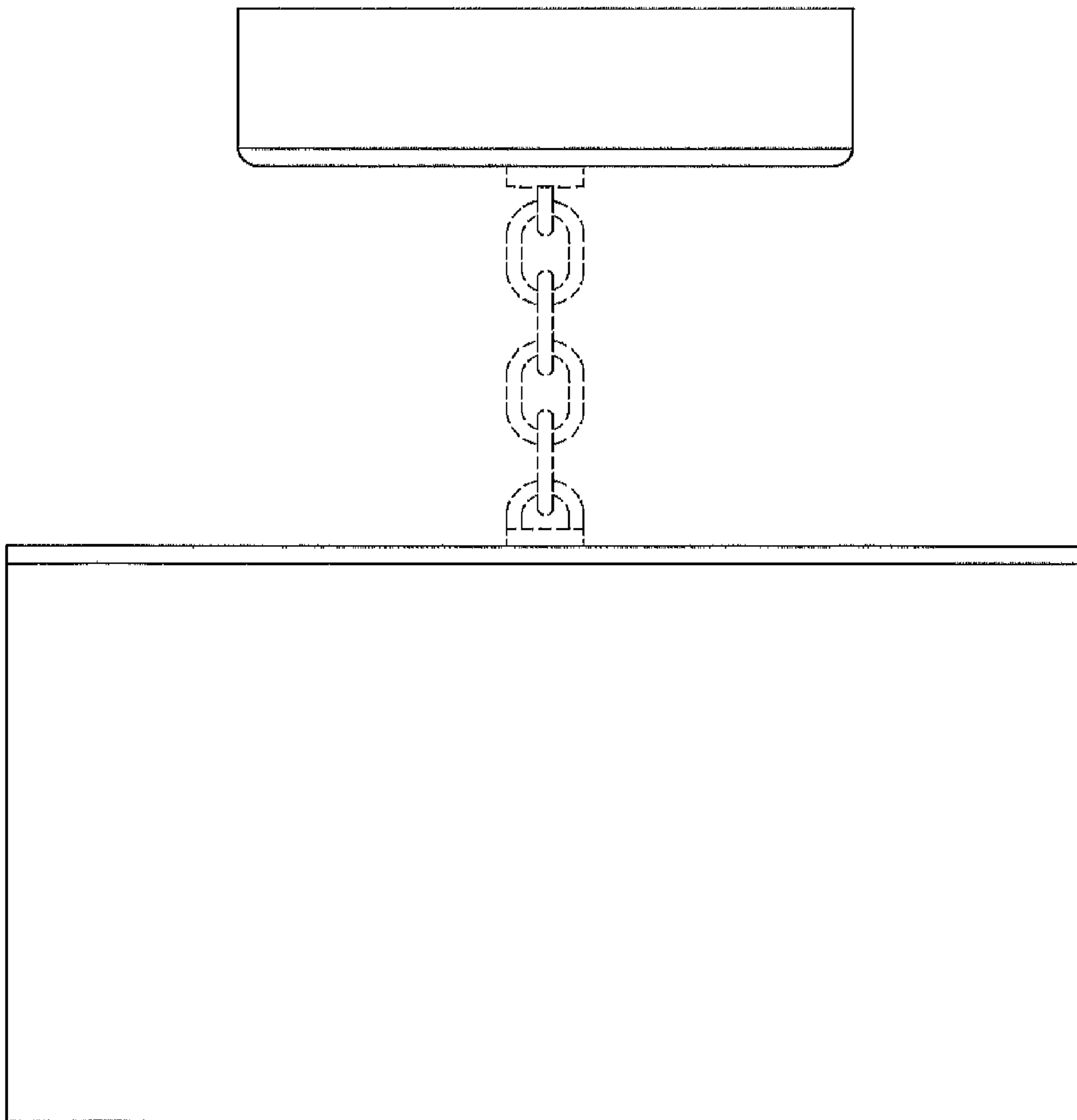


FIG. 9

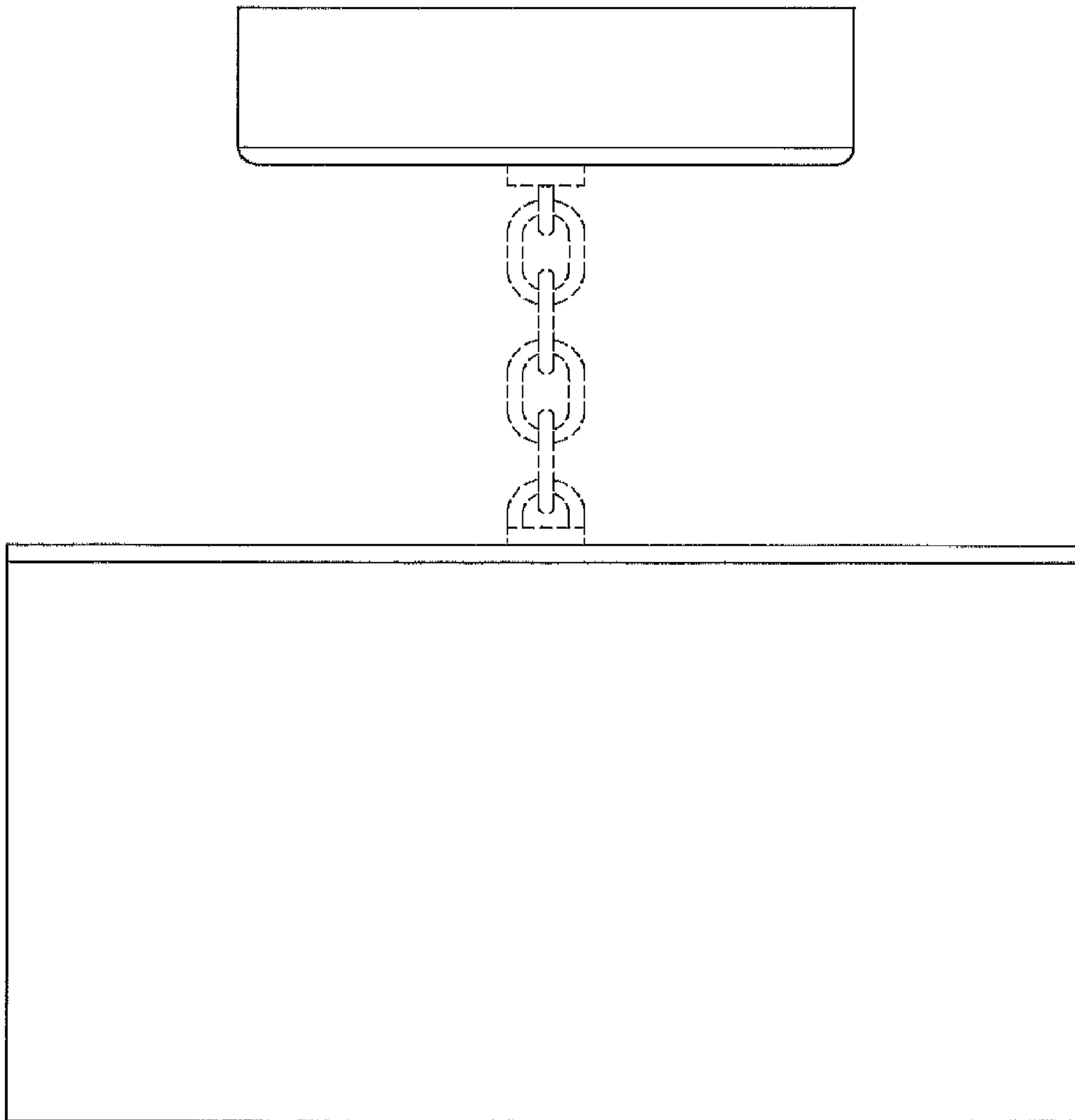


FIG. 10

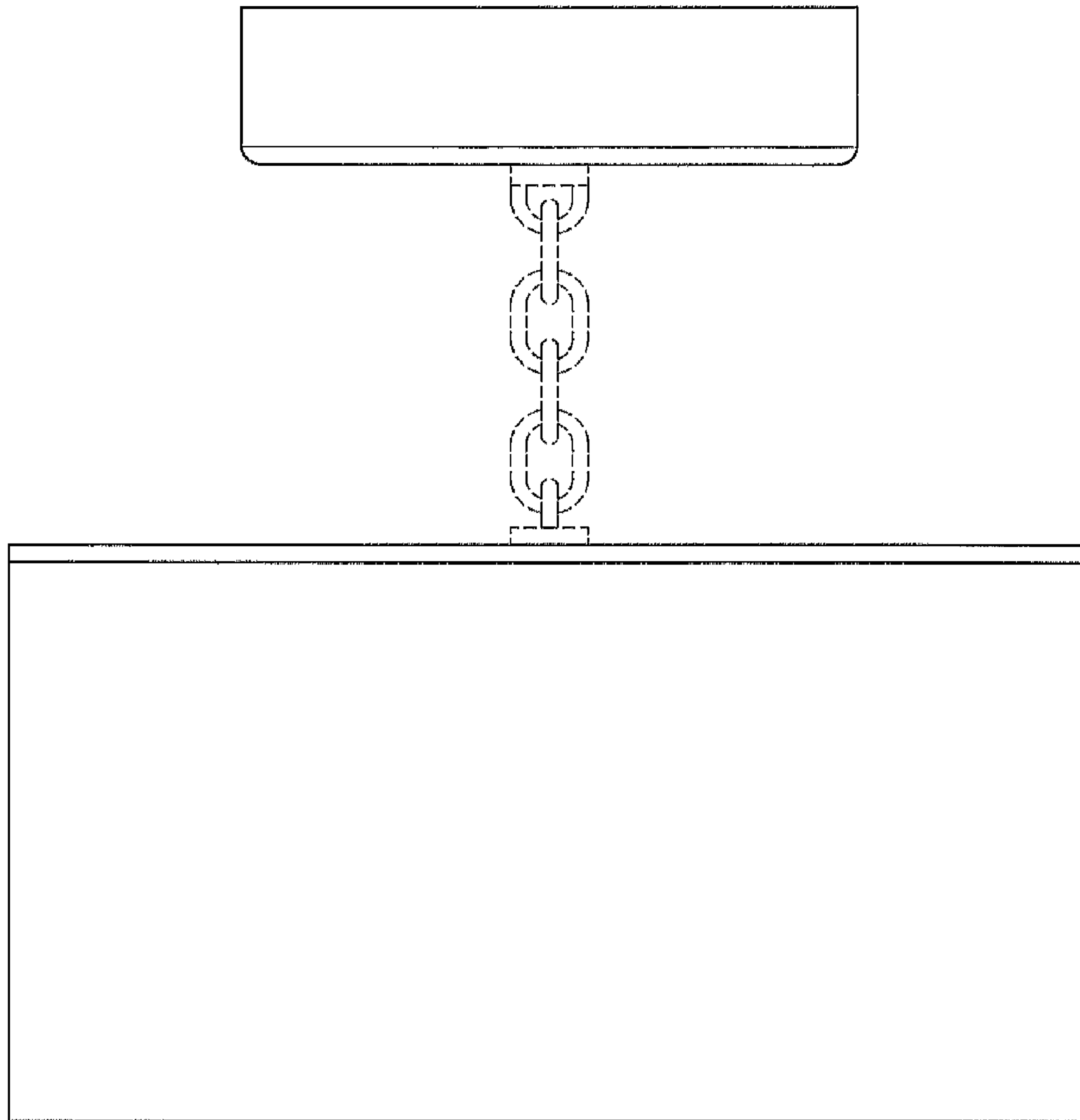


FIG. 11

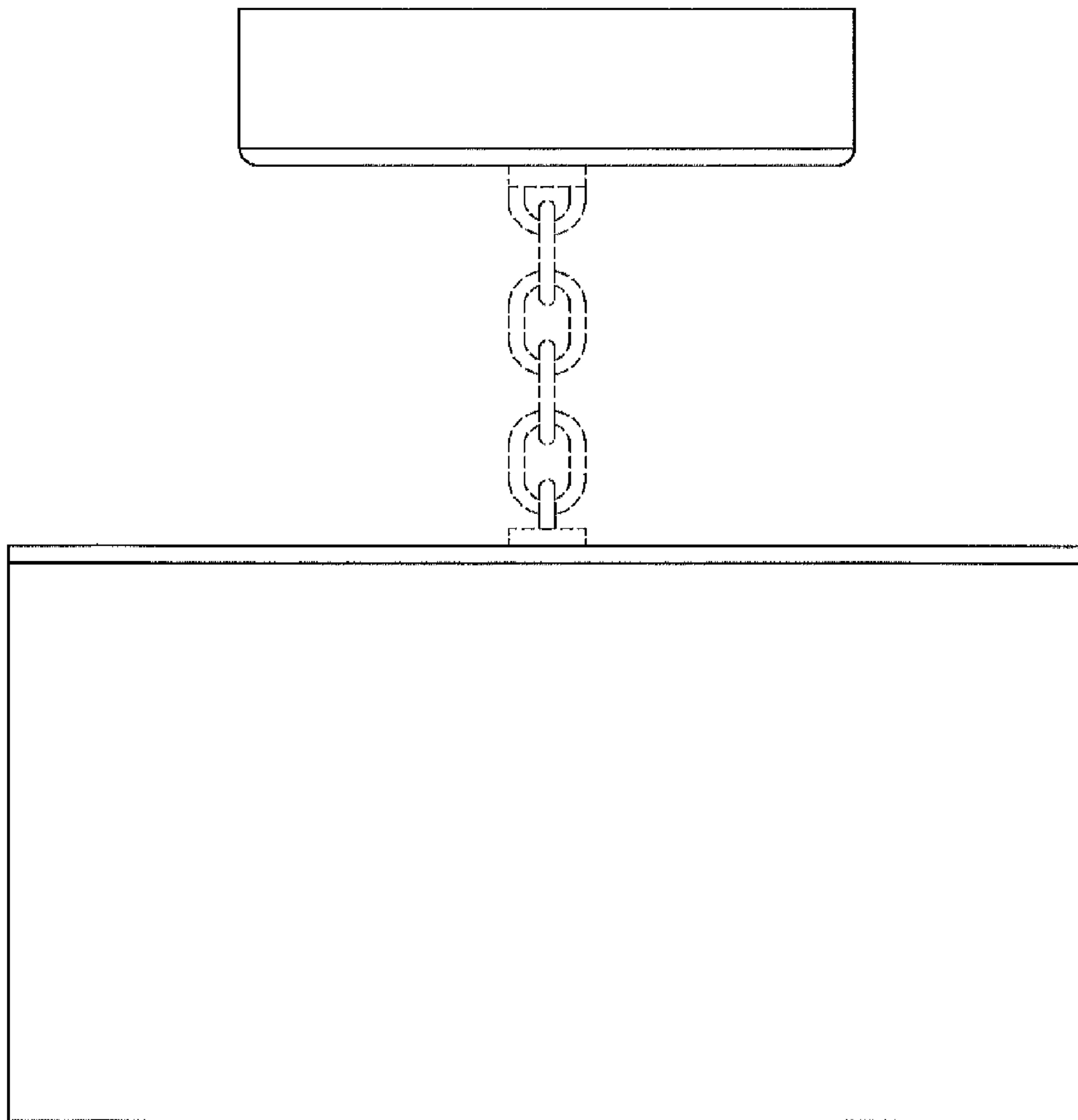


FIG. 12

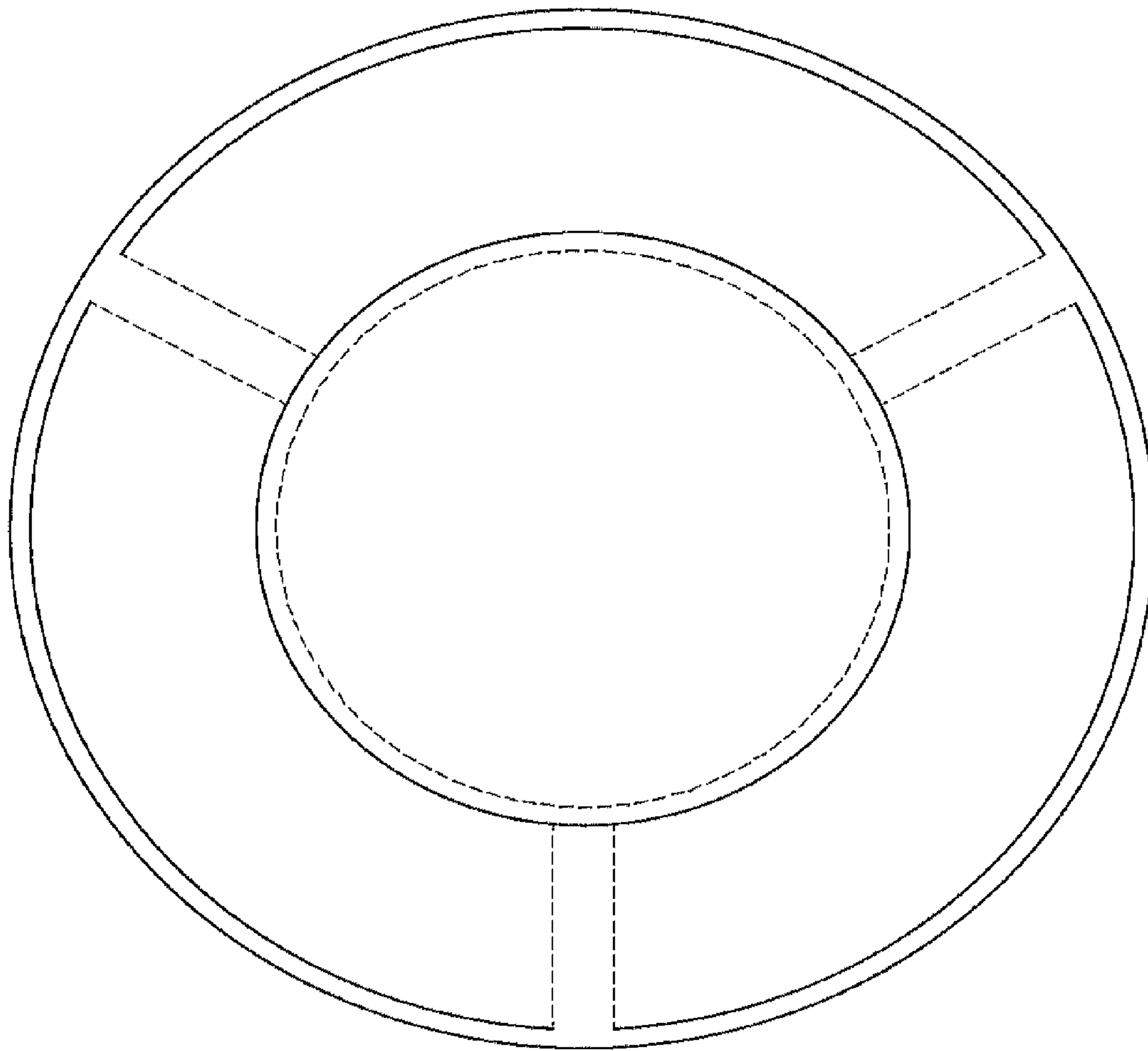


FIG. 13

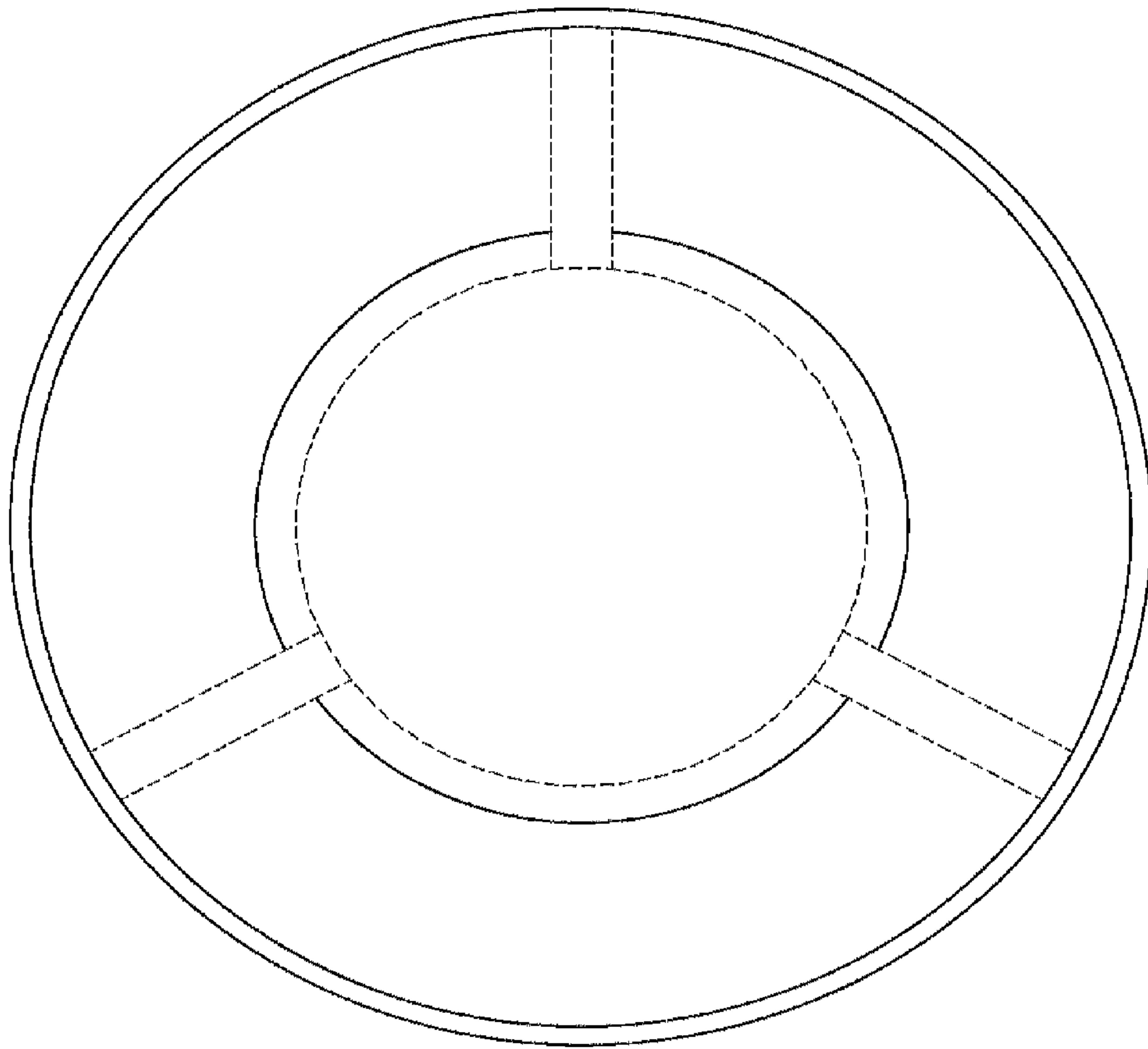


FIG. 14