



US00D659881S

(12) **United States Design Patent**  
**Sterling et al.**

(10) **Patent No.:** **US D659,881 S**

(45) **Date of Patent:** **\*\* May 15, 2012**

(54) **CHANDELIER**

(75) Inventors: **Christi Sterling**, Plano, TX (US);  
**JoAnn Brewer**, Plano, TX (US)

(73) Assignee: **CJ Lookz, LLC**, Plano, TX (US)

(\*\*) Term: **14 Years**

(21) Appl. No.: **29/383,057**

(22) Filed: **Jan. 11, 2011**

(51) **LOC (9) Cl.** ..... **26-05**

(52) **U.S. Cl.** ..... **D26/81**

(58) **Field of Classification Search** ..... D26/80-92,  
D26/144; 362/147, 404-408

See application file for complete search history.

(56) **References Cited**

**U.S. PATENT DOCUMENTS**

D373,003 S *	8/1996	Dolan	.....	D26/84
D517,723 S *	3/2006	Chen	.....	D26/81
D578,700 S *	10/2008	Chen	.....	D26/81
D584,845 S *	1/2009	Chen	.....	D26/81

D610,737 S *	2/2010	Chandler	.....	D26/81
D615,237 S *	5/2010	Raggi	.....	D26/81
D615,691 S *	5/2010	Raggi	.....	D26/81
D644,777 S *	9/2011	Raggi	.....	D26/81

\* cited by examiner

*Primary Examiner* — Clare E Heflin

(57) **CLAIM**

The ornamental design for a chandelier, as shown and described.

**DESCRIPTION**

FIG. 1 is a perspective view of a chandelier according to our new design;

FIG. 2 is a front elevational view of the chandelier;

FIG. 3 is a back elevational view of the chandelier;

FIG. 4 is a left side elevational view of the chandelier;

FIG. 5 is a right side elevational view of the chandelier;

FIG. 6 is a top view of the chandelier; and,

FIG. 7 is a bottom view of the chandelier.

The broken lines are for illustrative purposes only and form no part of the claimed design.

**1 Claim, 7 Drawing Sheets**

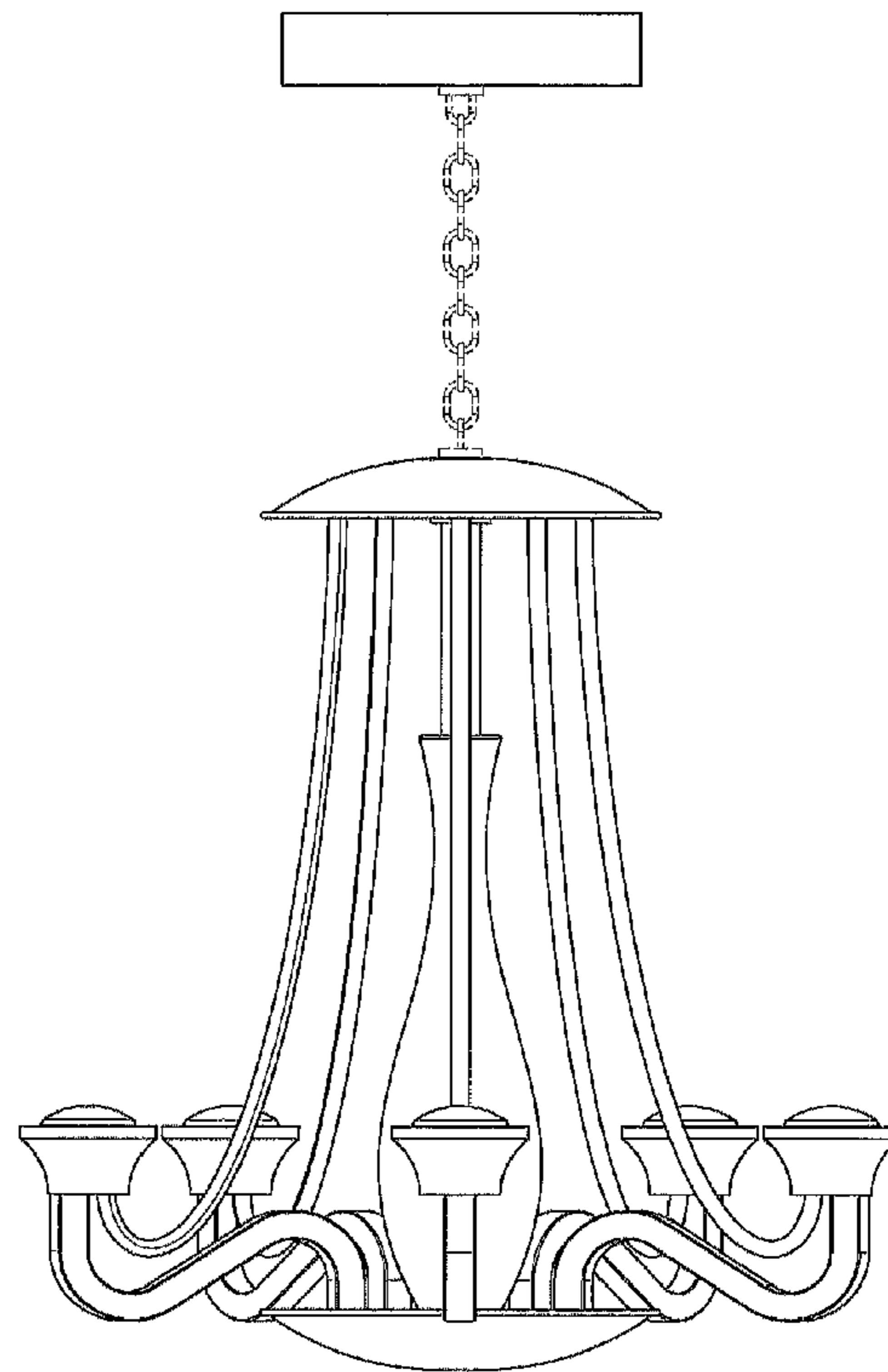
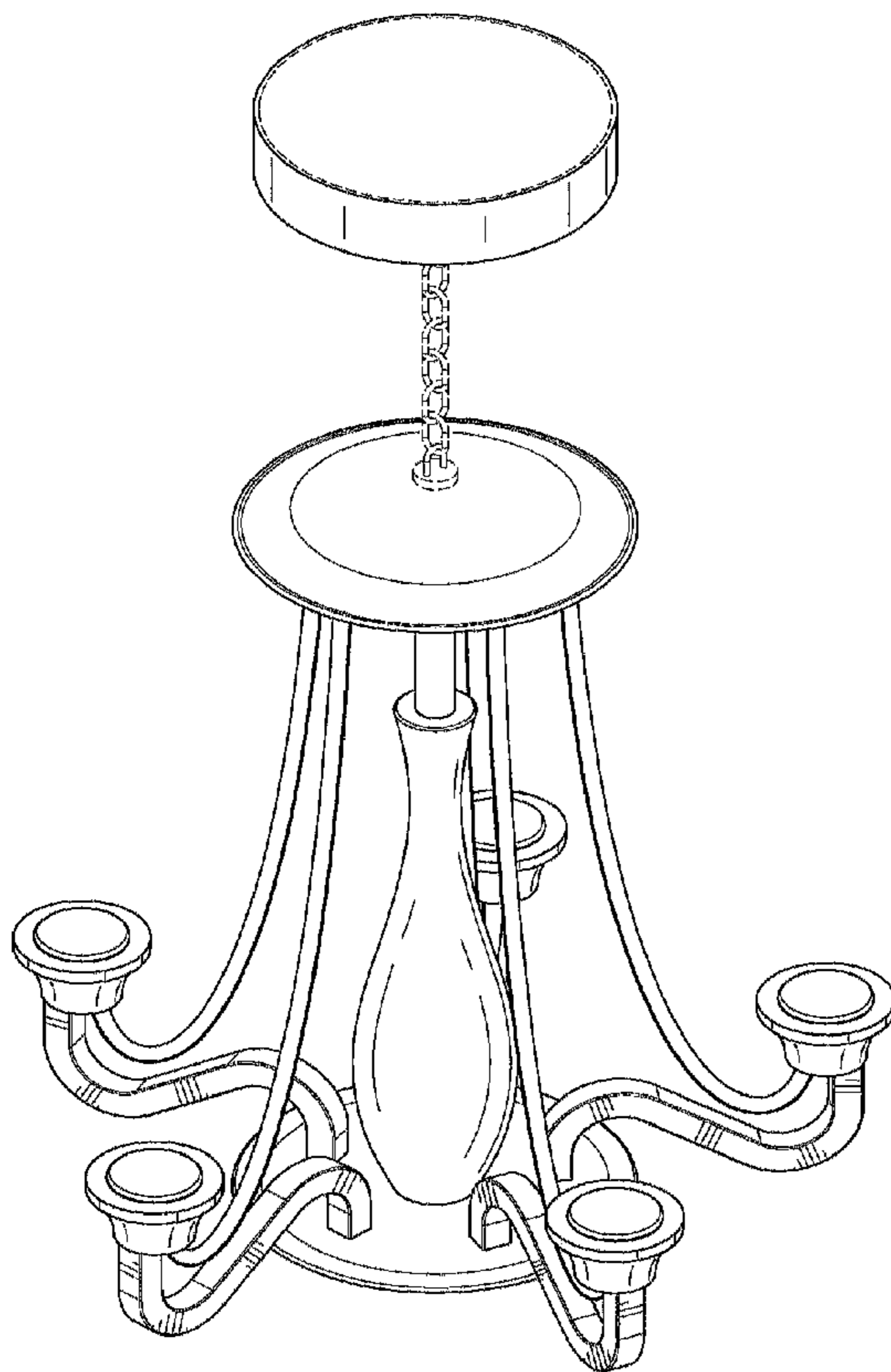
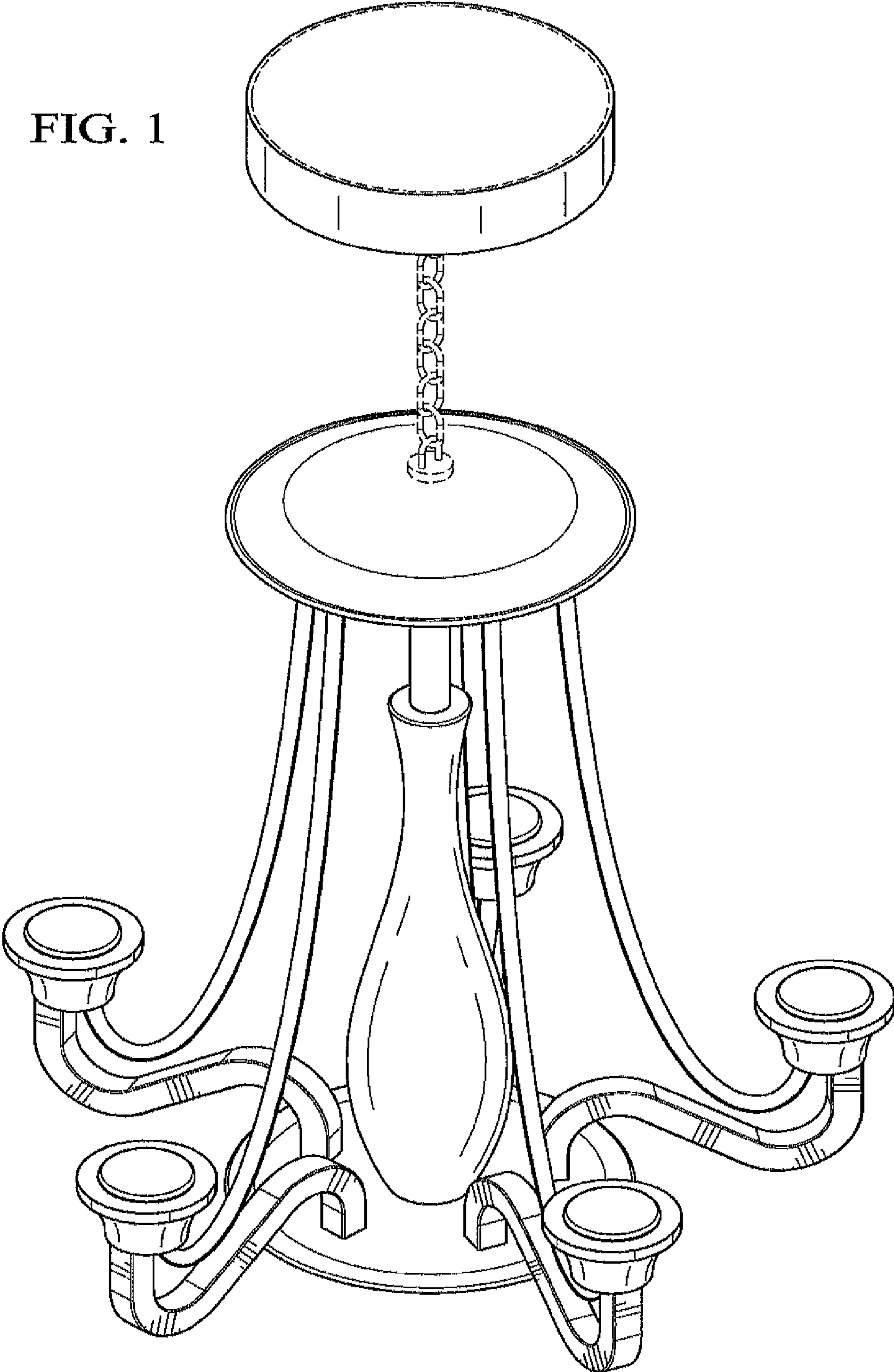


FIG. 1



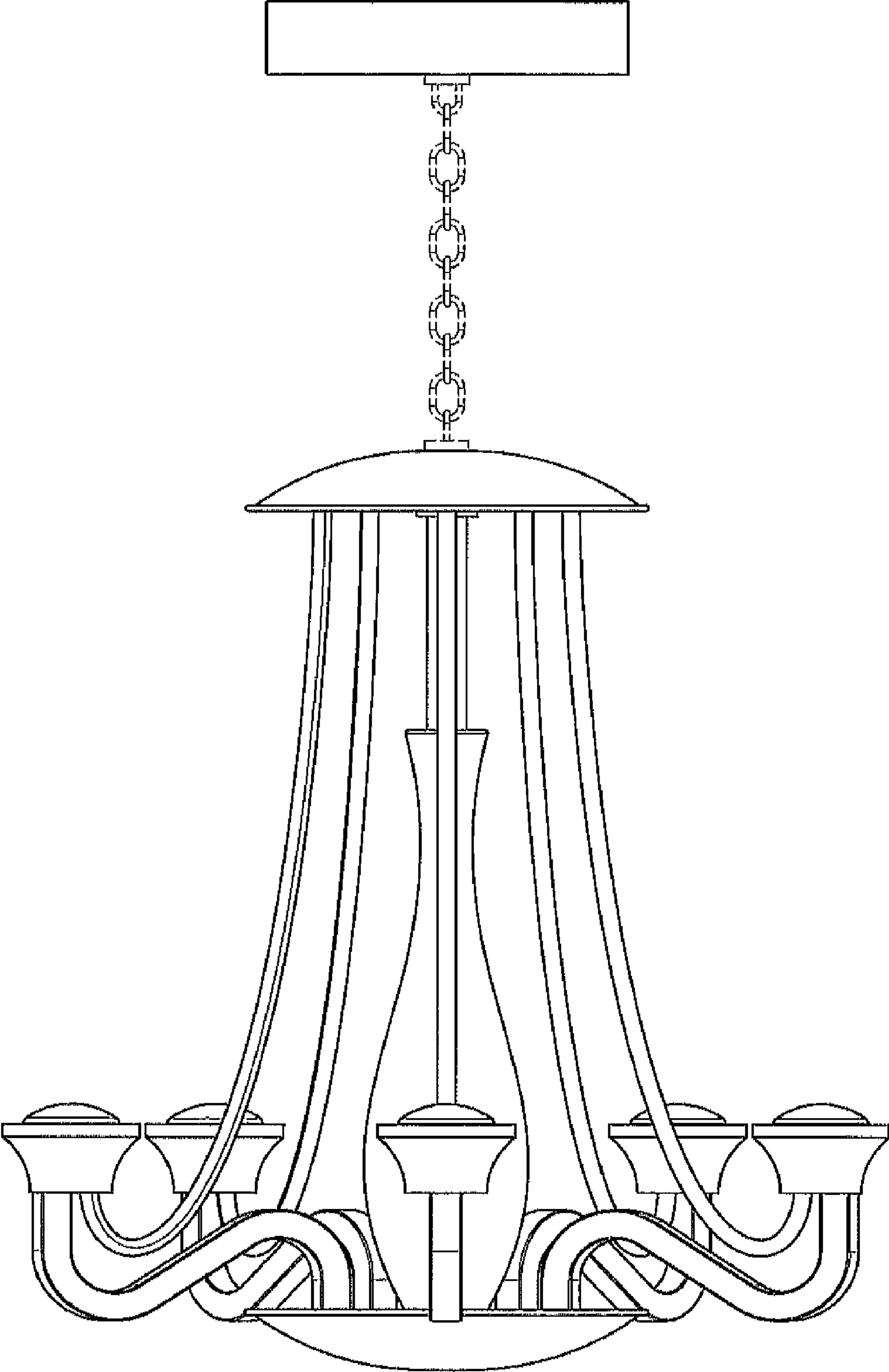


FIG. 2

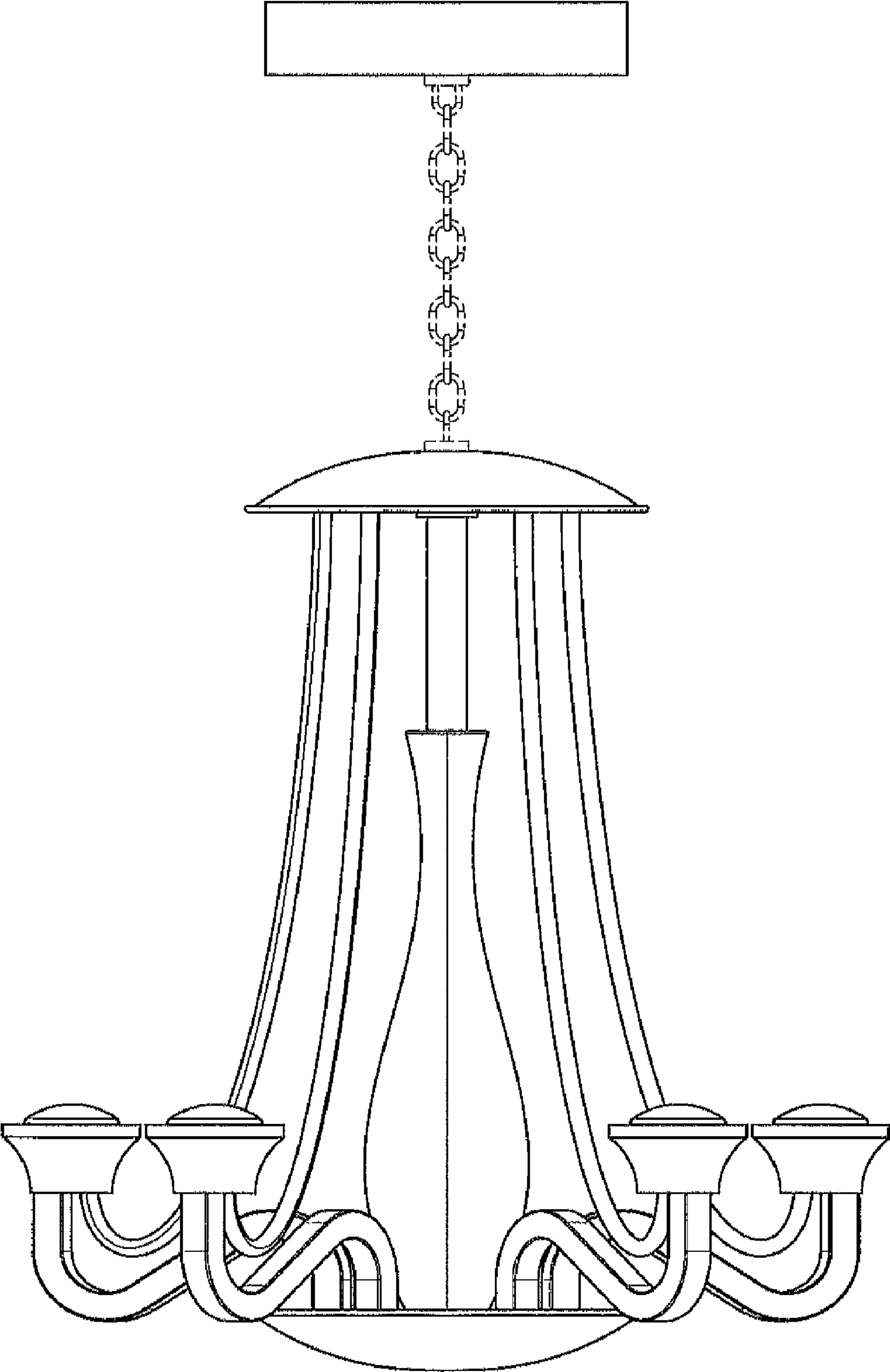


FIG. 3

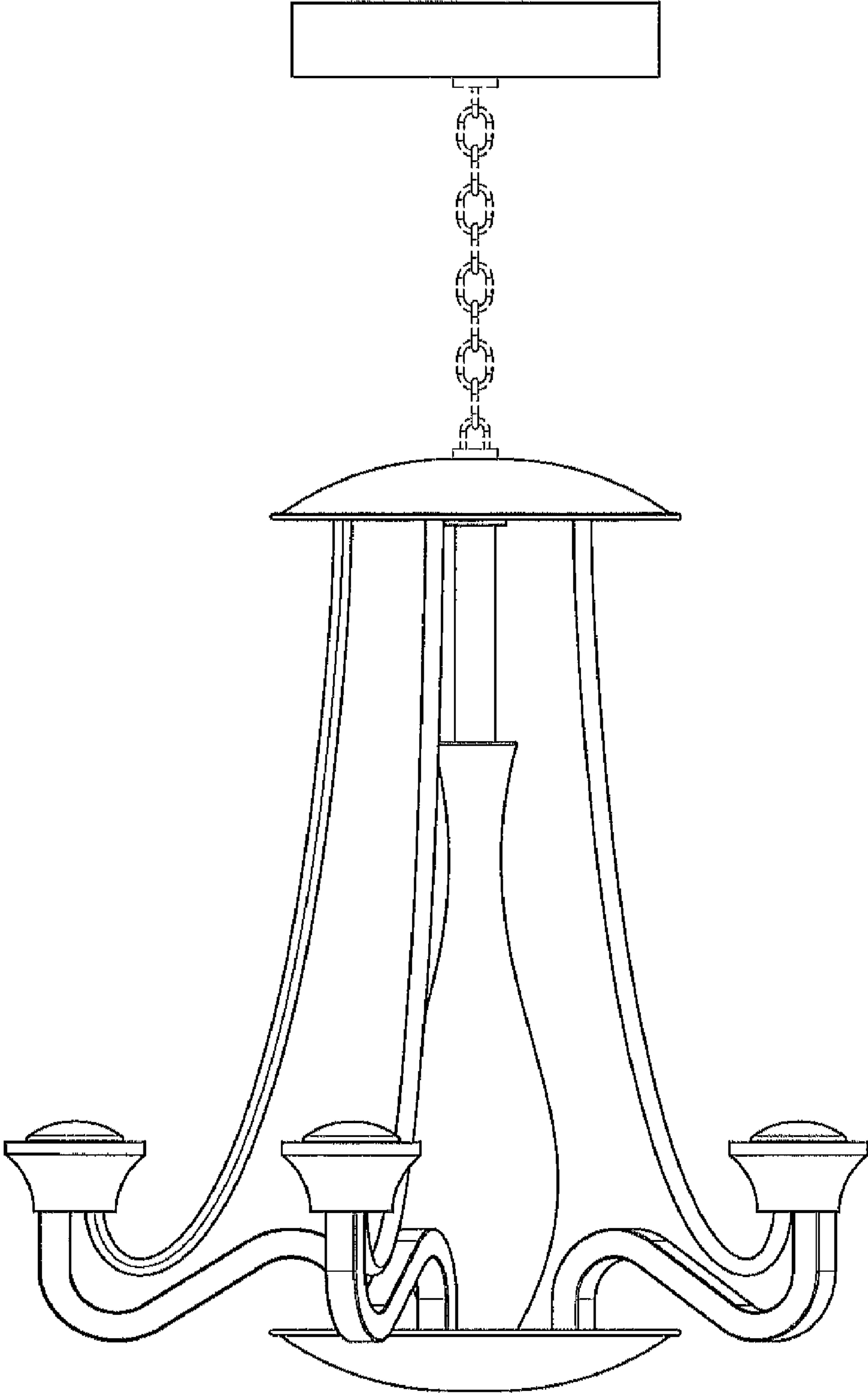


FIG. 4

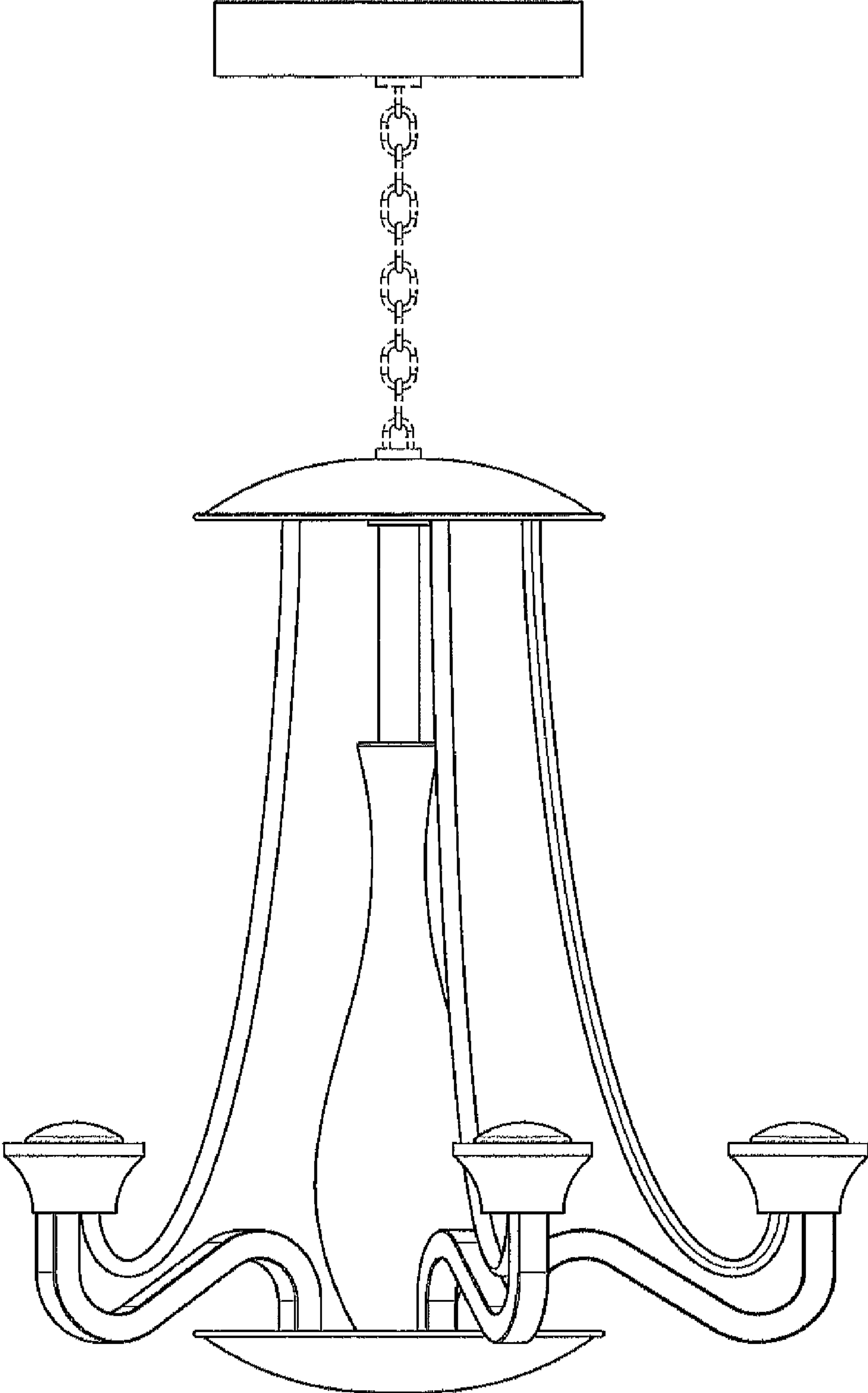


FIG. 5

FIG. 6

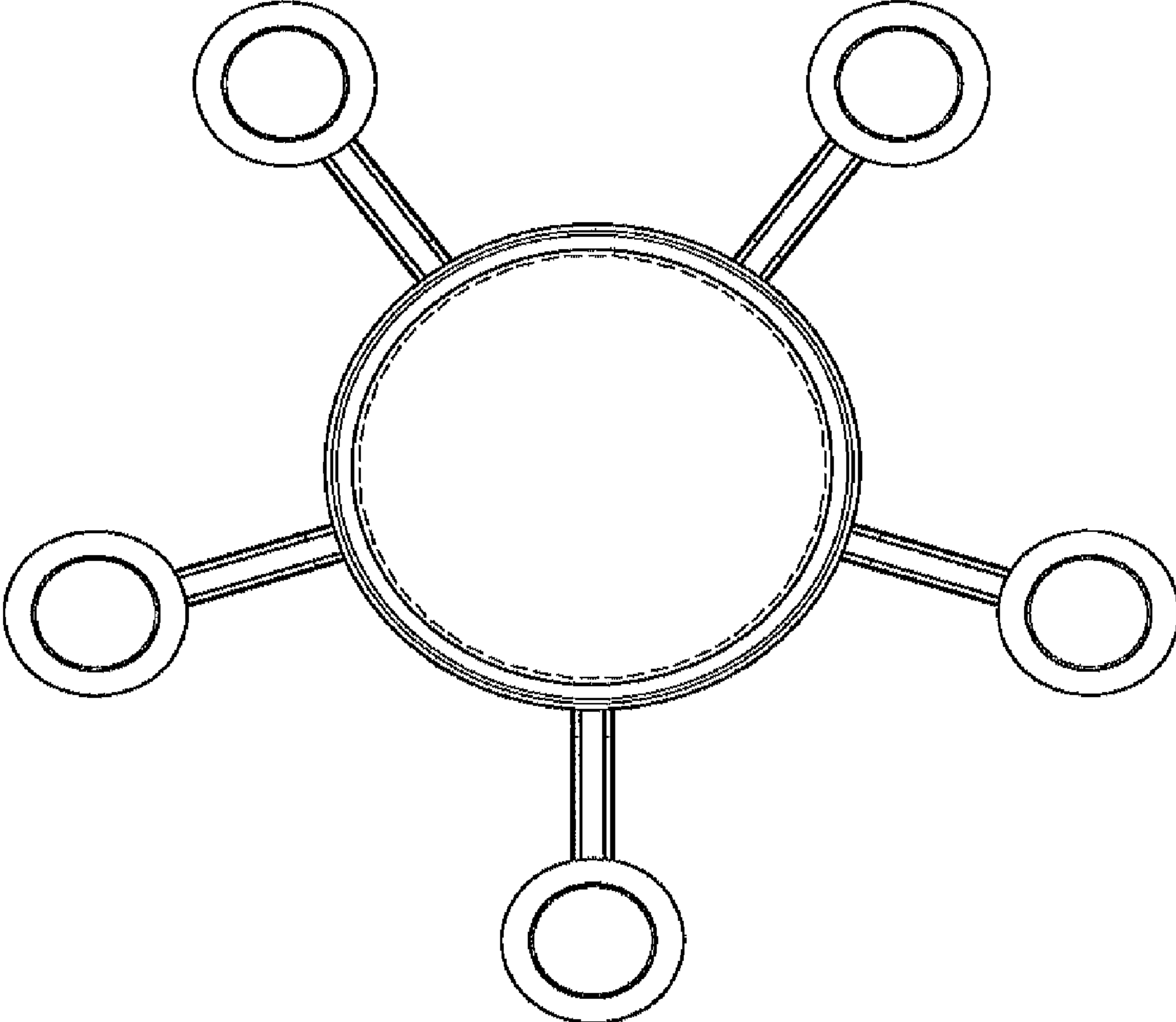


FIG. 7

