



US00D659880S

(12) **United States Design Patent**
Maxik et al.

(10) **Patent No.:** **US D659,880 S**

(45) **Date of Patent:** **** May 15, 2012**

(54) **ELONGATE LIGHT FIXTURE**

(75) Inventors: **Fredric S. Maxik**, Indialantic, FL (US);
Robert R. Soler, Cocoa Beach, FL (US);
David E. Bartine, Cocos, FL (US);
James Lynn Schellack, Cocoa Beach,
FL (US); **Erica Rene Voss**, Indialantic,
FL (US); **Ran Zhou**, Cape Canaveral,
FL (US)

(73) Assignee: **Lighting Science Group Corporation**,
Satellite Beach, FL (US)

(**) Term: **14 Years**

(21) Appl. No.: **29/391,947**

(22) Filed: **May 15, 2011**

(51) **LOC (9) Cl.** **26-05**

(52) **U.S. Cl.** **D26/80**

(58) **Field of Classification Search** D26/76,
D26/80, 85-92, 128, 130; 362/147, 404-408,
362/431, 432

See application file for complete search history.

(56) **References Cited**

U.S. PATENT DOCUMENTS

1,746,024	A	*	2/1930	Brandt, Sr.	362/84
D133,986	S	*	10/1942	Gordon	D26/76
D220,580	S	*	4/1971	Edenberg	D26/80
D272,858	S	*	2/1984	Palka	D26/80
D348,948	S	*	7/1994	Chen	D26/80
D389,263	S	*	1/1998	Kuo	D26/80
D463,058	S	*	9/2002	Nourishad	D26/76
D464,160	S	*	10/2002	Ludwig	D26/76
D537,186	S	*	2/2007	Weddell	D26/80
D553,287	S	*	10/2007	Miller	D26/75

D570,004	S	*	5/2008	Hawkins et al.	D26/25
D589,199	S	*	3/2009	Pedersen	D26/85
D595,444	S	*	6/2009	Shimomura	D26/76

* cited by examiner

Primary Examiner — Clare E Heflin

(74) *Attorney, Agent, or Firm* — Mark R. Malek, Esq.; Zies
Widerman & Malek

(57) **CLAIM**

The ornamental design for an elongate light fixture, as shown
and described.

DESCRIPTION

FIG. 1 is a perspective view of an elongate light fixture
according to the present invention, wherein the dotted lines
depict support legs and end caps that are not claimed features
of the present invention.

FIG. 2 is a perspective view of the elongate light fixture
illustrated in FIG. 1, wherein the dotted lines depict support
legs adjacent a bottom portion thereof and end caps, each of
which are not claimed features of the present invention, and
wherein the curved shield, which is a claimed feature of the
invention, is shown removed for illustrative purposes only.

FIG. 3 is a front elevation view of the light fixture illustrated
in FIG. 1.

FIG. 4 is a rear elevation view of the light fixture illustrated in
FIG. 1.

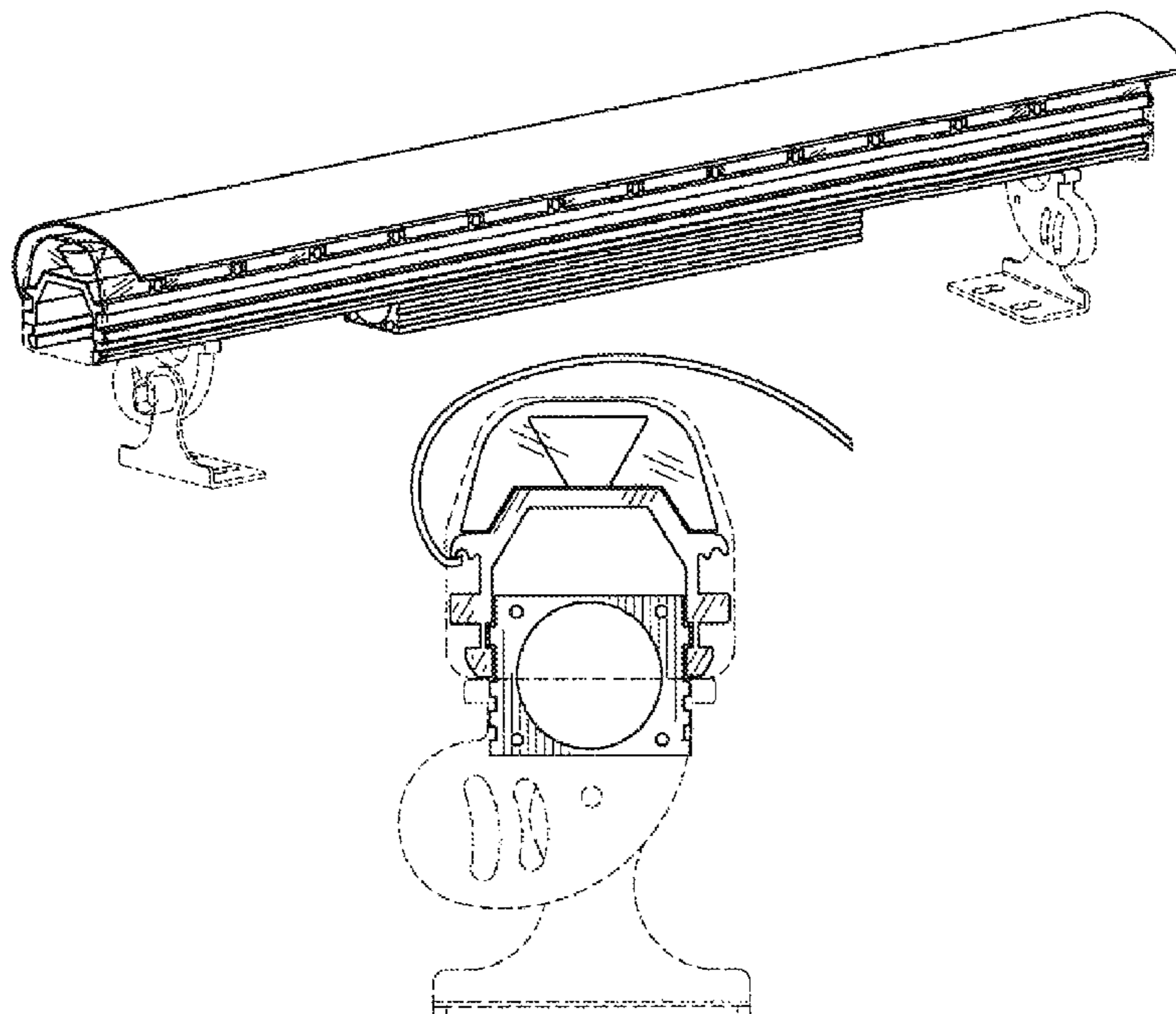
FIG. 5 is a first end elevation view of the light fixture illus-
trated in FIG. 1.

FIG. 6 is a second end elevation view of the light fixture
illustrated in FIG. 1.

FIG. 7 is a top plan view of the light fixture illustrated in FIG.
1; and,

FIG. 8 is a bottom plan view of the light fixture illustrated in
FIG. 1.

1 Claim, 4 Drawing Sheets



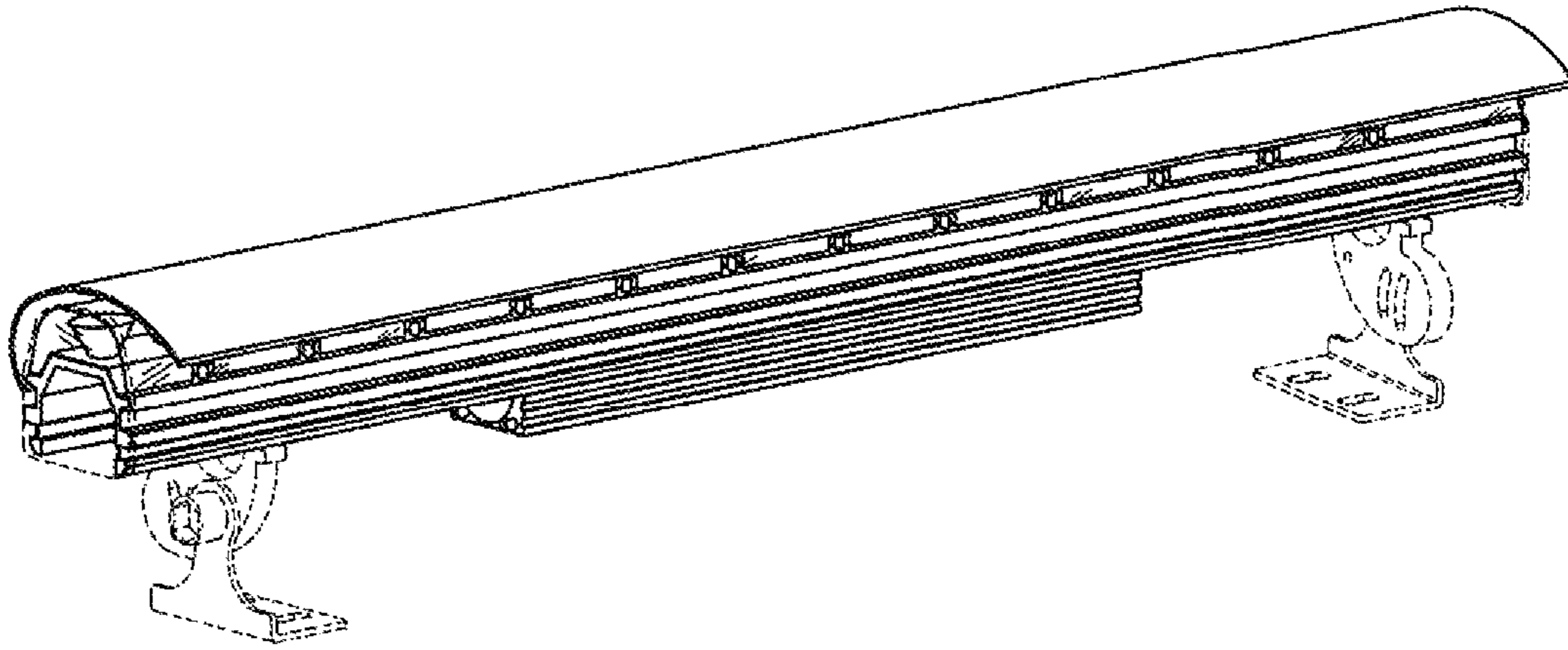


Fig. 1

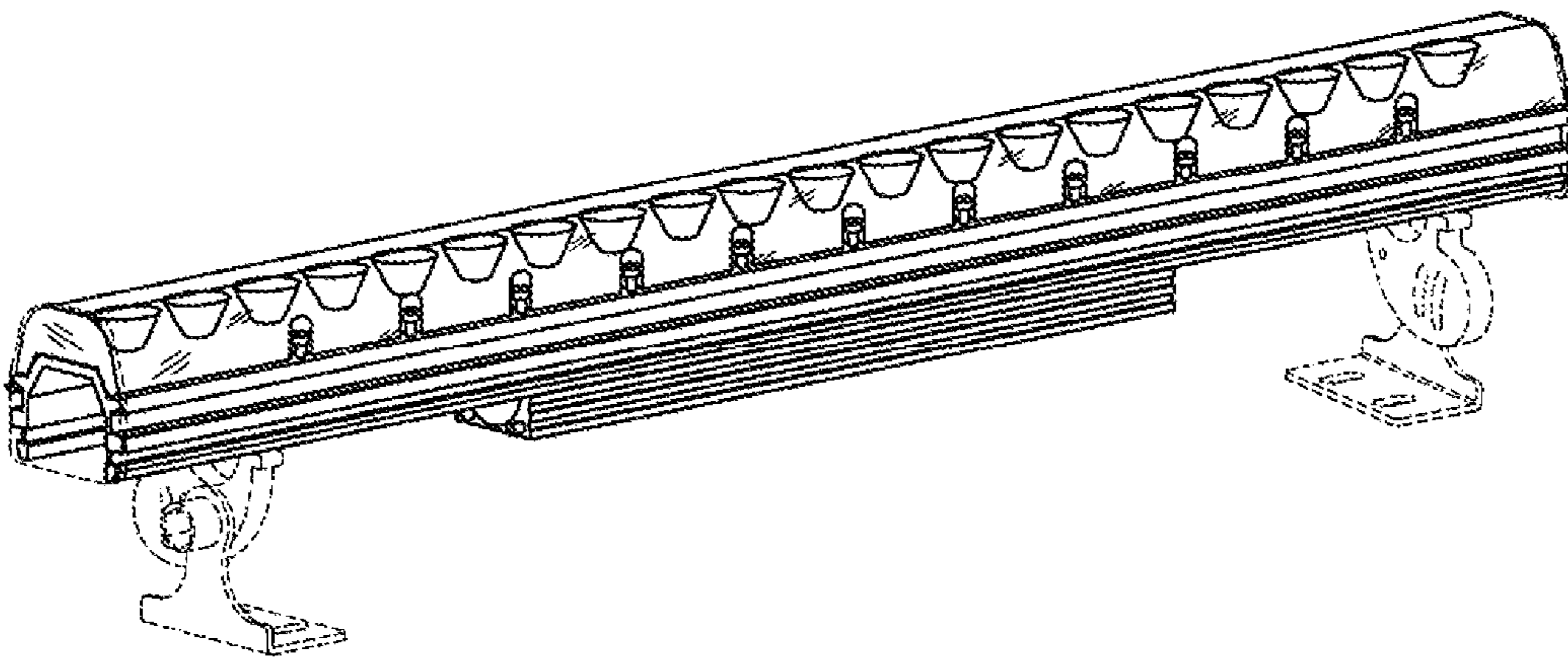


Fig. 2

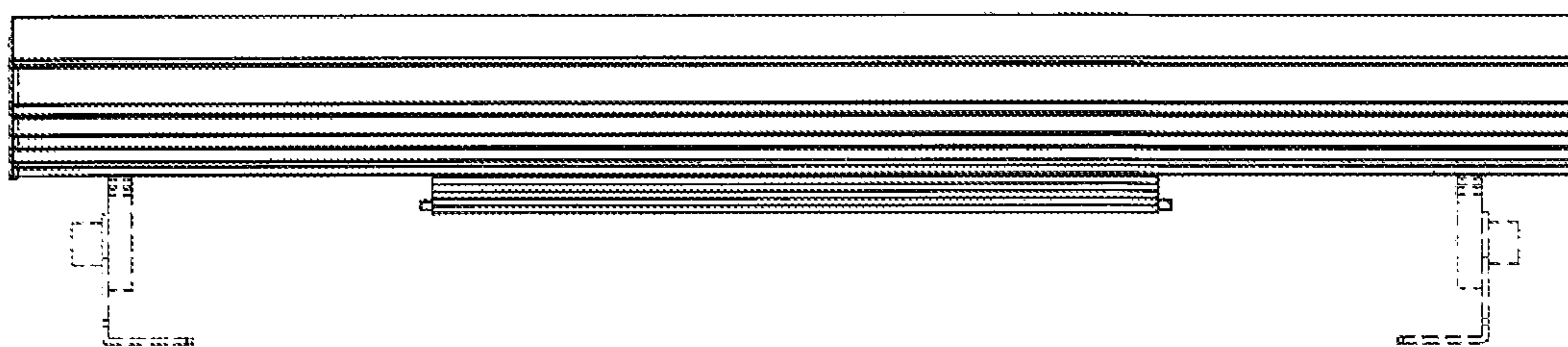


Fig. 3

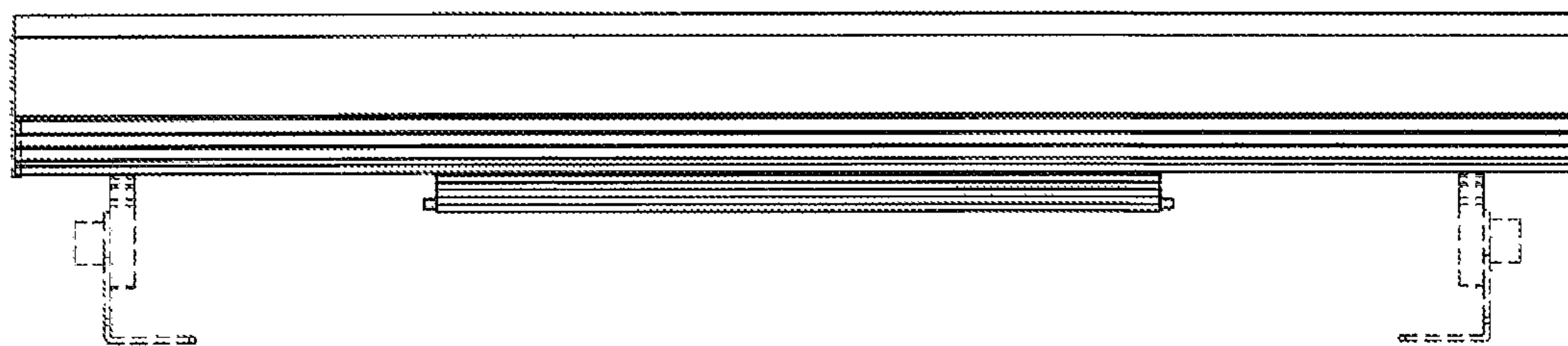


Fig. 4

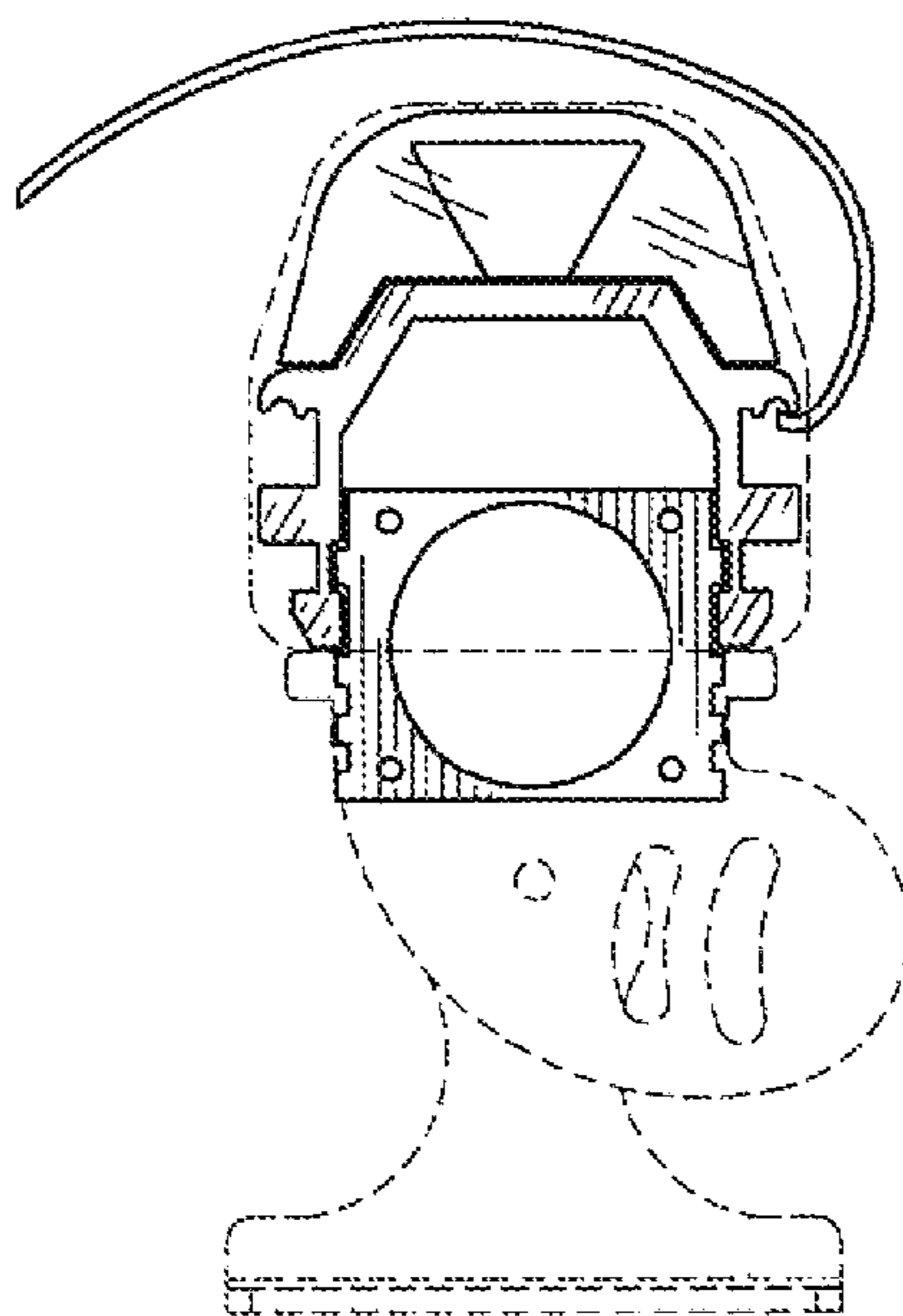


Fig. 5

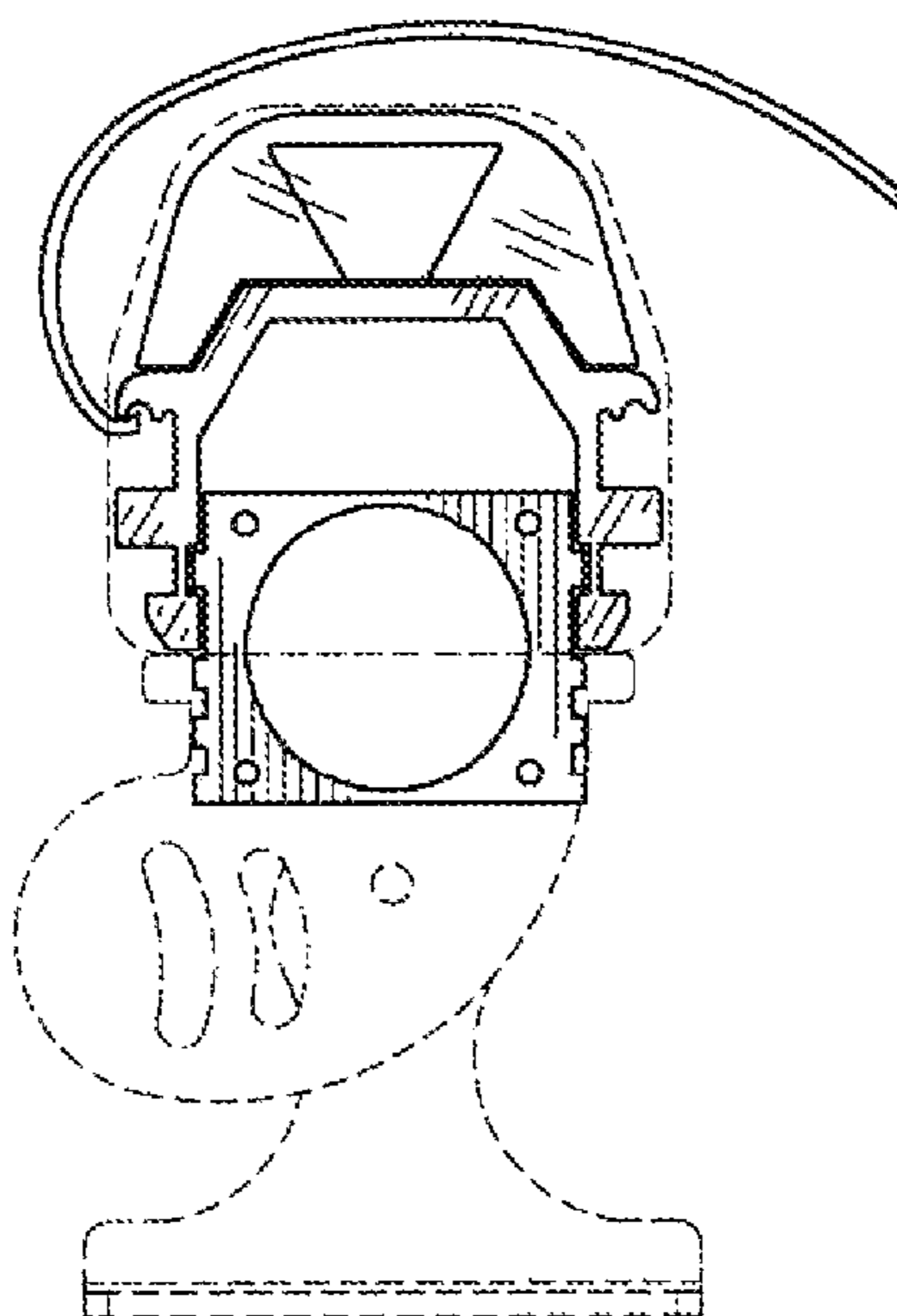


Fig. 6

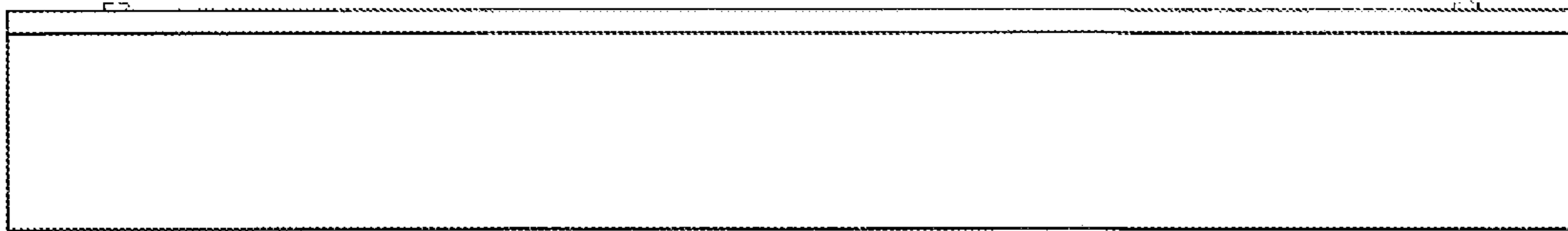


Fig. 7

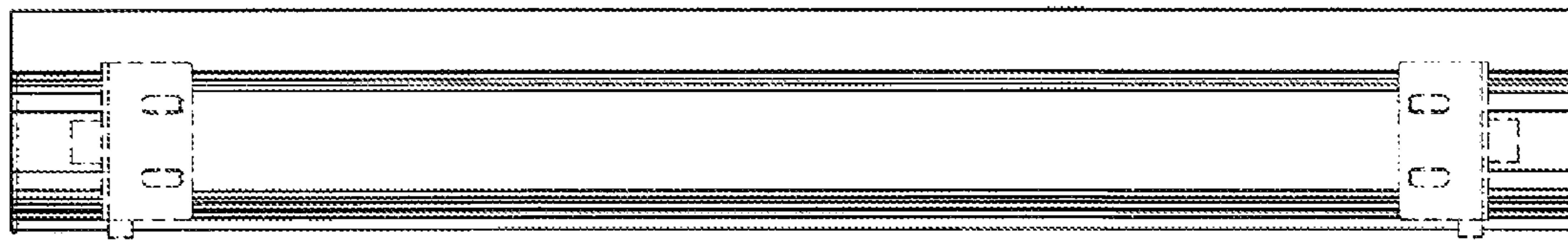


Fig. 8